



US00D621779S

(12) **United States Design Patent**
Yonetsu

(10) **Patent No.:** **US D621,779 S**

(45) **Date of Patent:** **** Aug. 17, 2010**

(54) **TIRE**

JP 1309423 8/2007
JP 1309424 8/2007

(75) Inventor: **Isao Yonetsu**, Osaka (JP)

(73) Assignee: **Toyo Tire & Rubber Co., Ltd.**, Osaka (JP)

* cited by examiner

(**) Term: **14 Years**

Primary Examiner—Caron Veynar

Assistant Examiner—George D Kirschbaum

(21) Appl. No.: **29/337,753**

(74) *Attorney, Agent, or Firm*—Sterne Kessler Goldstein & Fox PLLC

(22) Filed: **May 28, 2009**

(57) **CLAIM**

(30) **Foreign Application Priority Data**

The ornamental design for a tire, as shown and described.

Apr. 15, 2009 (JP) 2009-008613

(51) **LOC (9) Cl.** **12-15**

(52) **U.S. Cl.** **D12/586**

(58) **Field of Classification Search** D12/568–603;
152/209.1, 209.8, 209.9, 209.12, 209.18,
152/209.25

See application file for complete search history.

DESCRIPTION

FIG. 1 is a perspective view of a tire showing my new design;

FIG. 2 is a front view thereof, for which the rear view is the same;

FIG. 3 is a top plan view thereof, for which the bottom plan view is the same;

FIG. 4 is a right side view thereof, for which the left side view is the same;

FIG. 5 is a cross-sectional view taken along line 5-5 in FIG. 2 and line 5'-5' in FIG. 4; and,

FIG. 6 is an enlarged sectional view taken along line 6-6 and line 6'-6' in FIG. 2.

The broken lines in the Figures depict environmental subject matter and form no part of the claimed design.

(56) **References Cited**

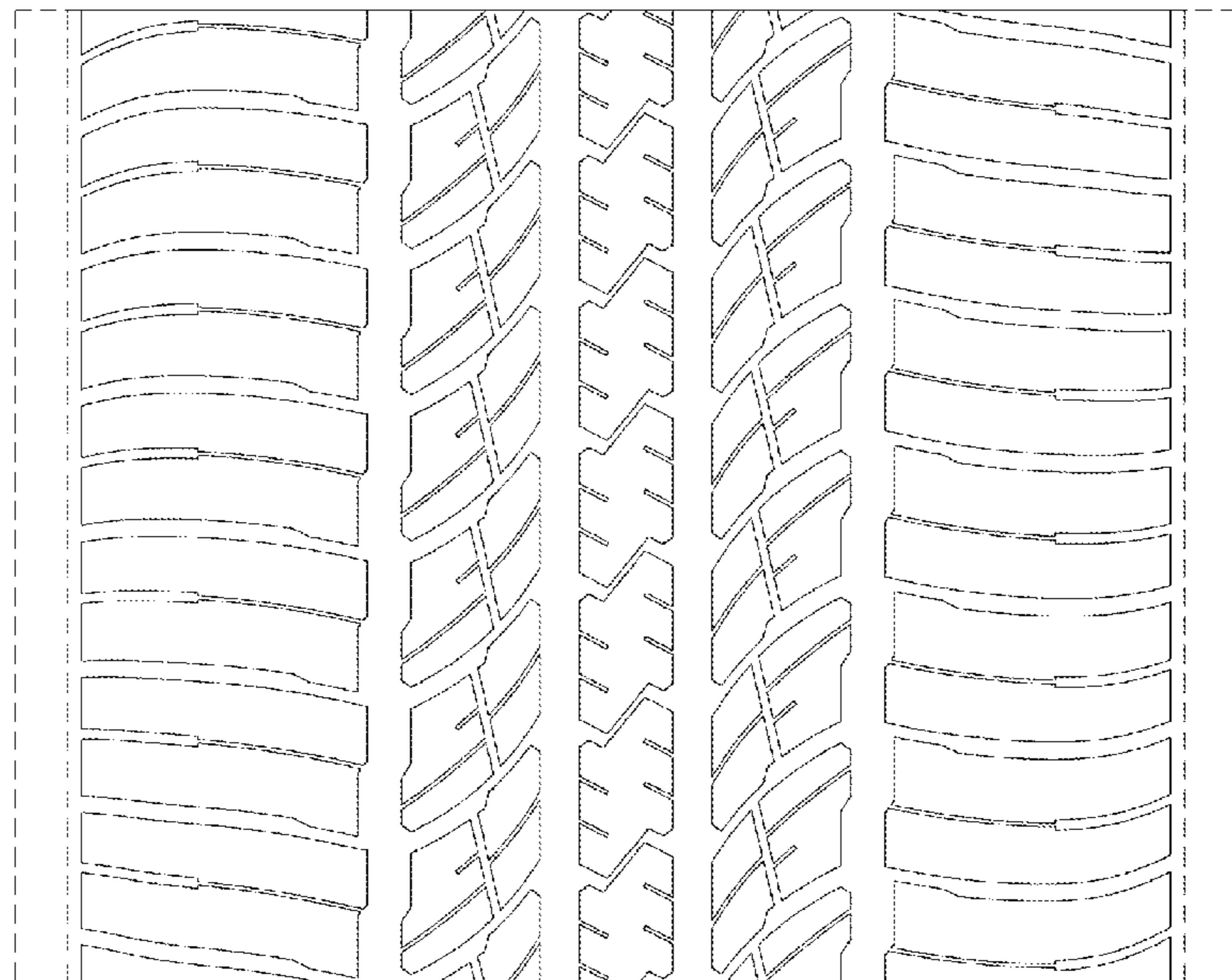
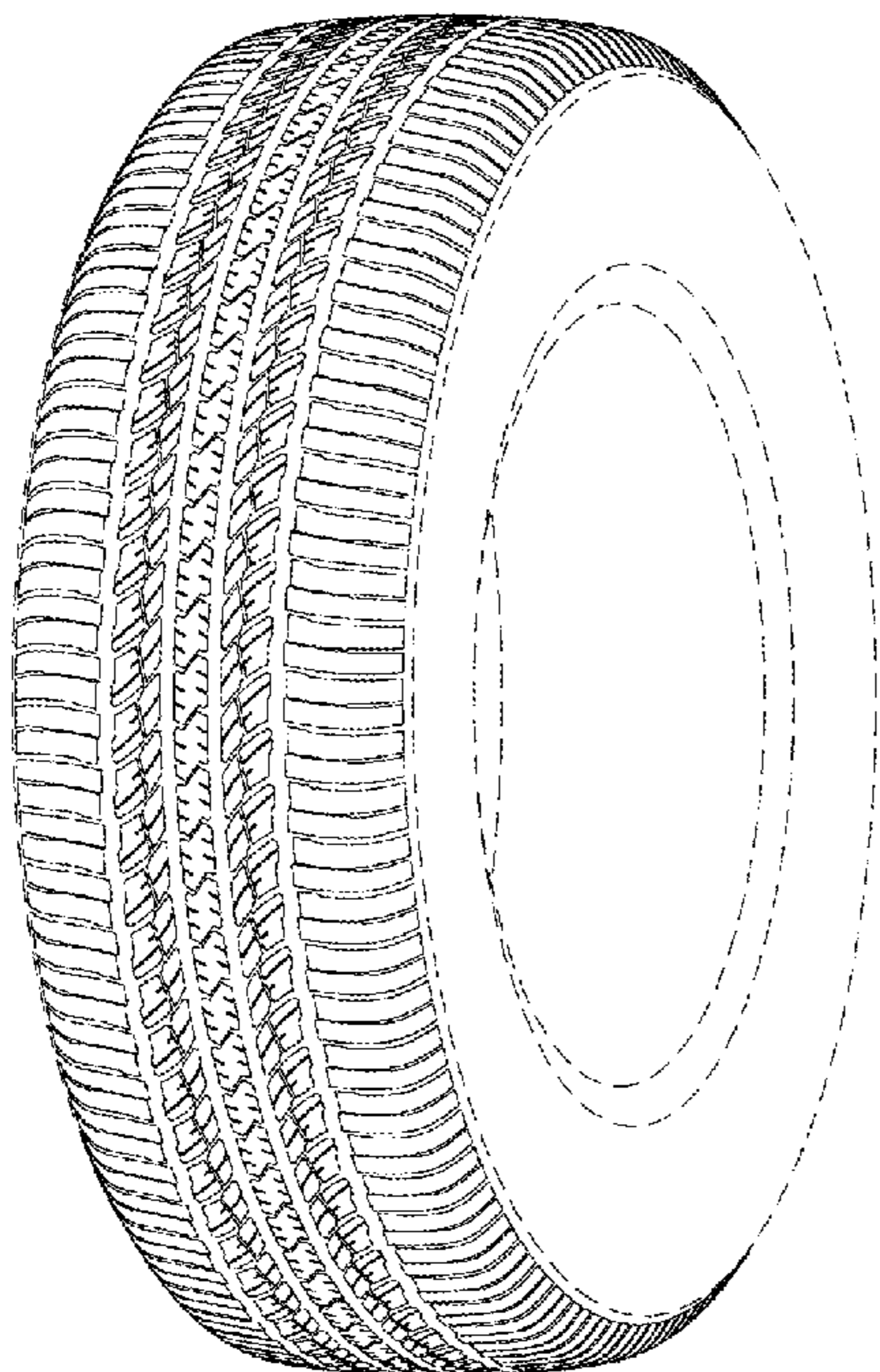
U.S. PATENT DOCUMENTS

D403,632 S * 1/1999 Guspodin et al. D12/603
D422,246 S * 4/2000 Fierro et al. D12/586
D560,599 S * 1/2008 Dixon et al. D12/587
D579,865 S * 11/2008 Matsuyama et al. D12/586
D584,680 S * 1/2009 Hutz D12/586
D607,812 S * 1/2010 Dixon et al. D12/587

FOREIGN PATENT DOCUMENTS

JP 1309149 8/2007

1 Claim, 6 Drawing Sheets



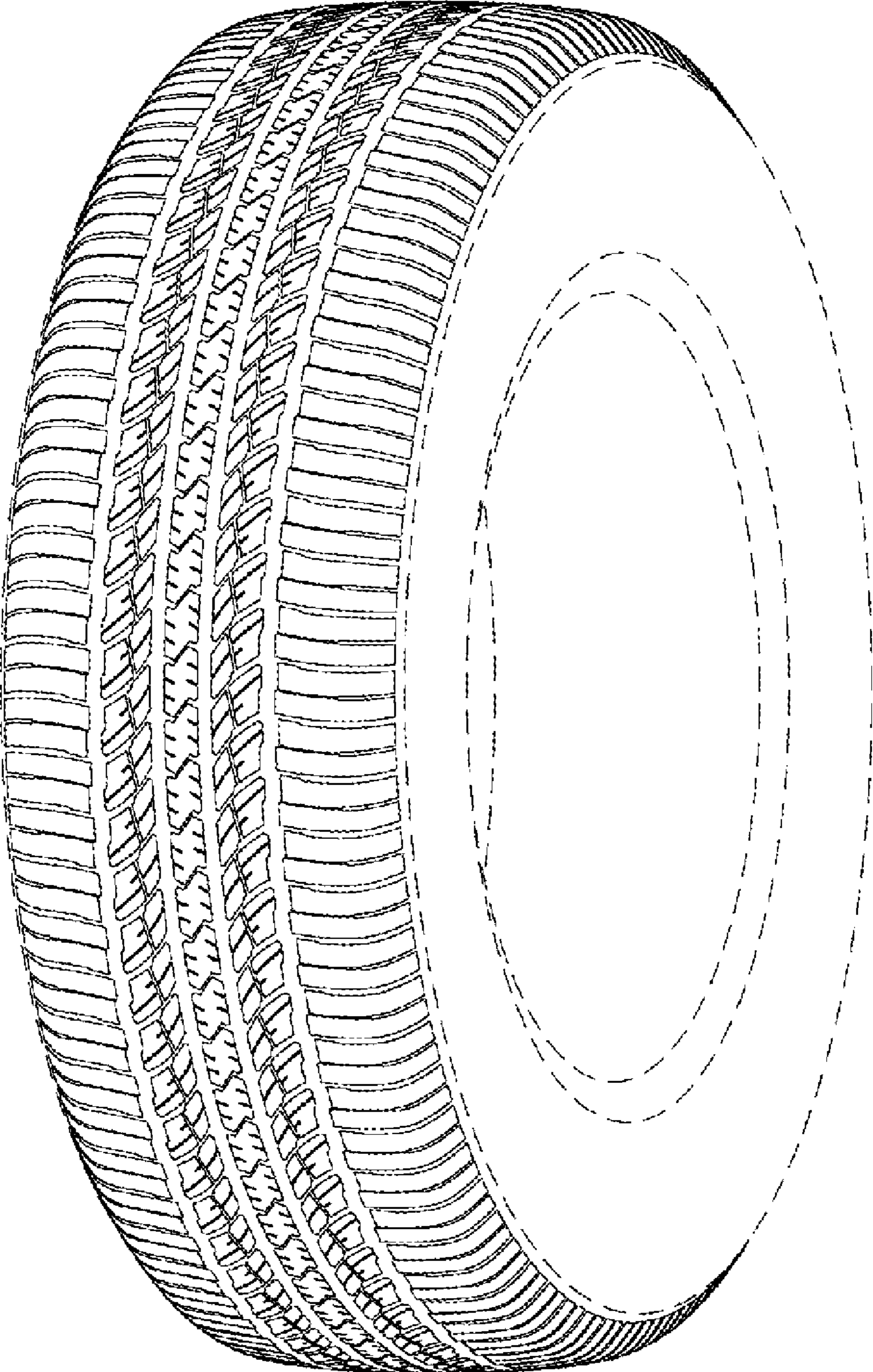


FIGURE 1

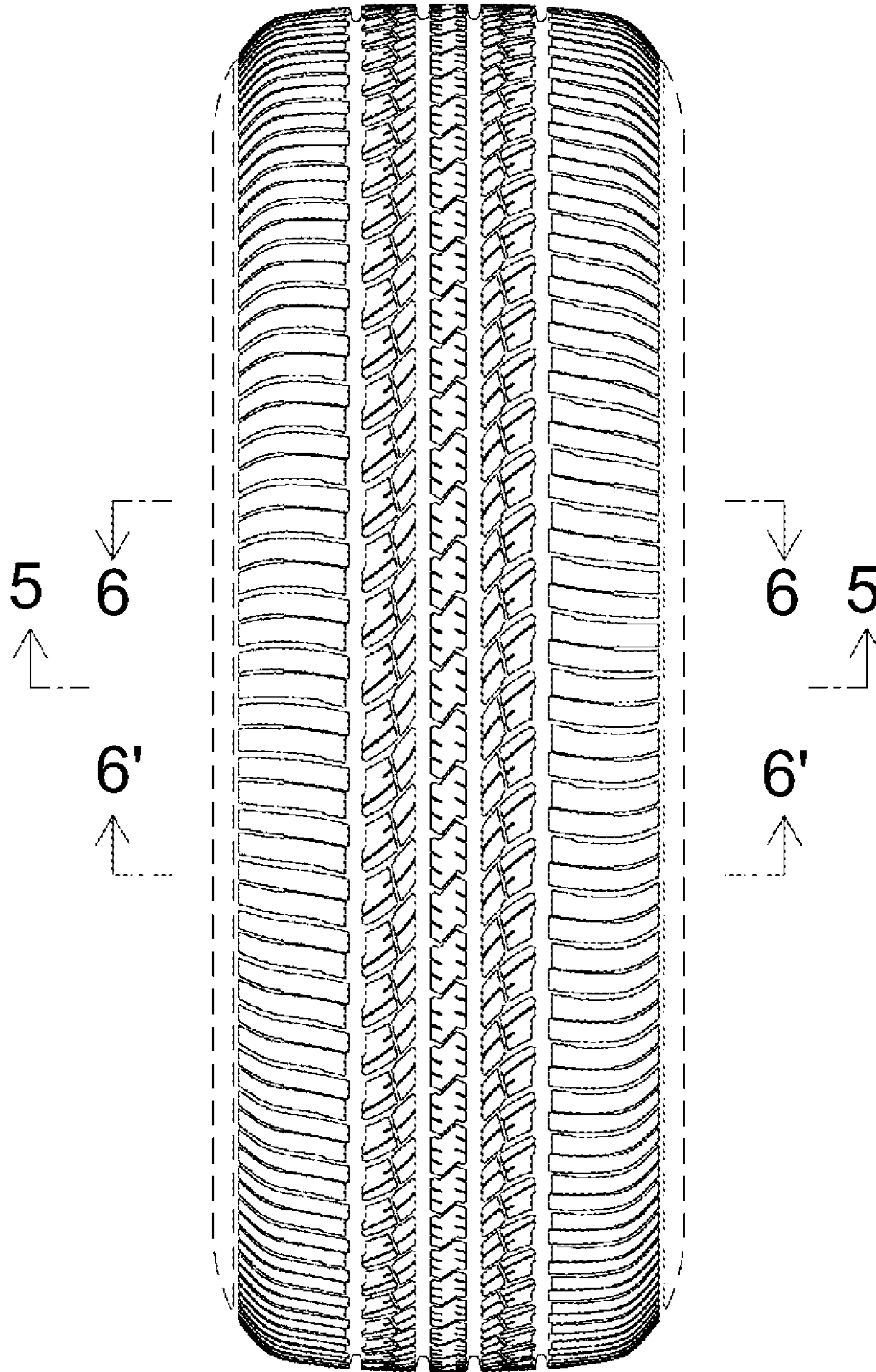


FIGURE 2

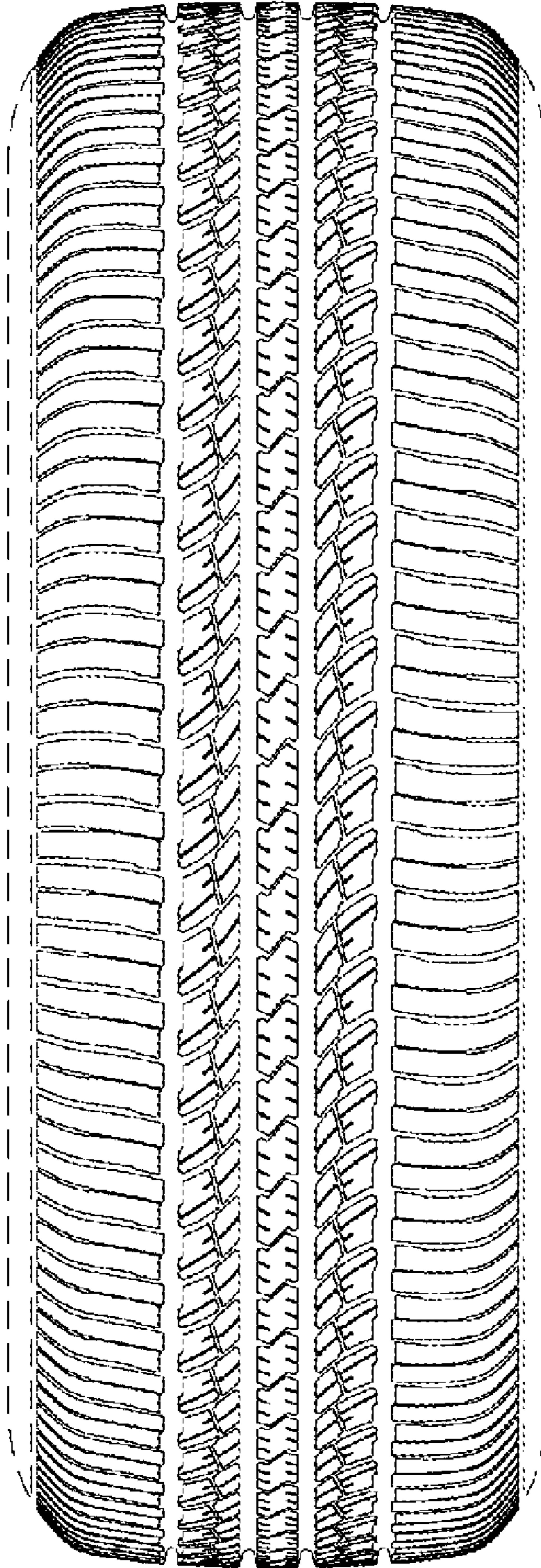


FIGURE 3

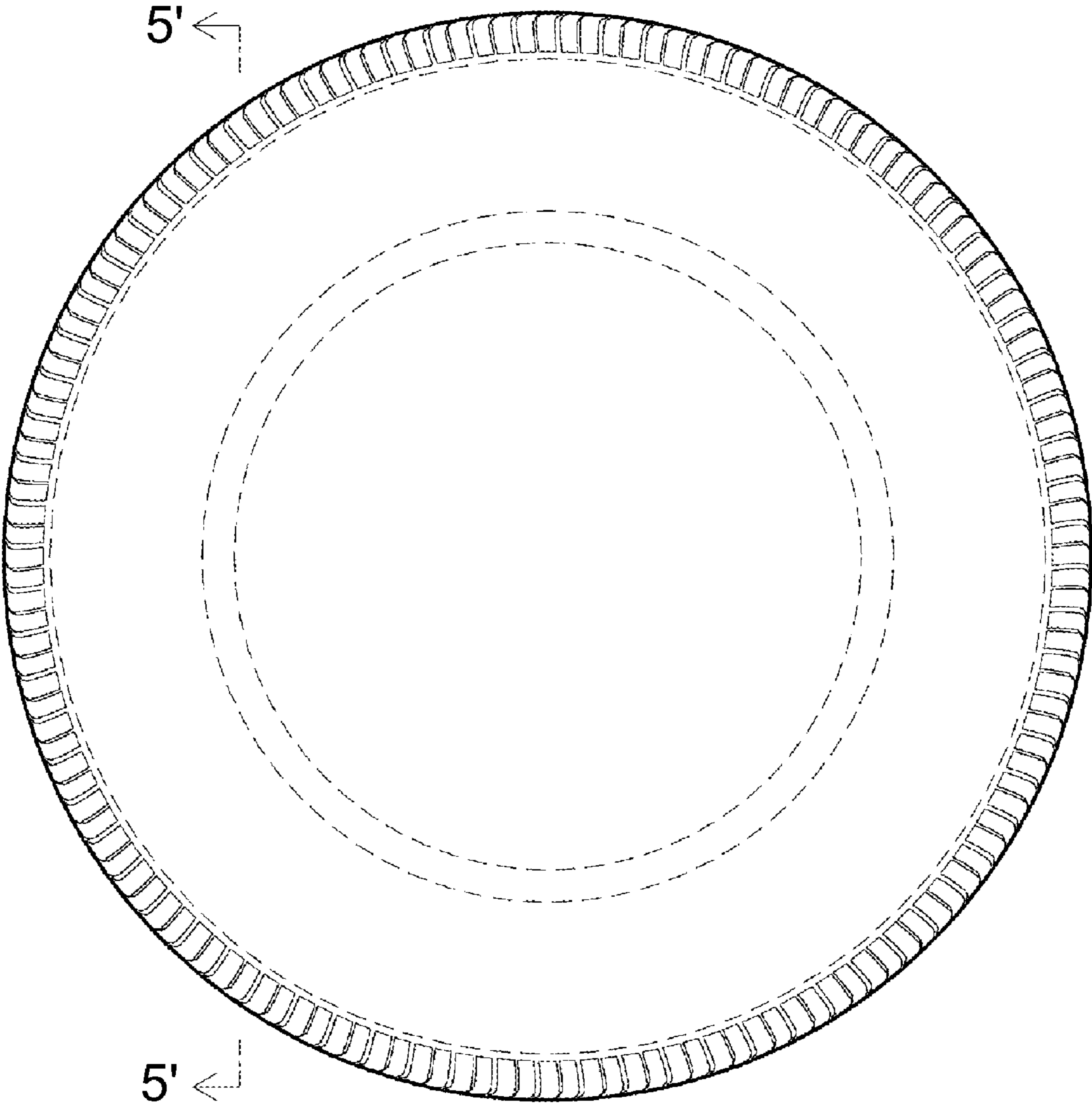


FIGURE 4

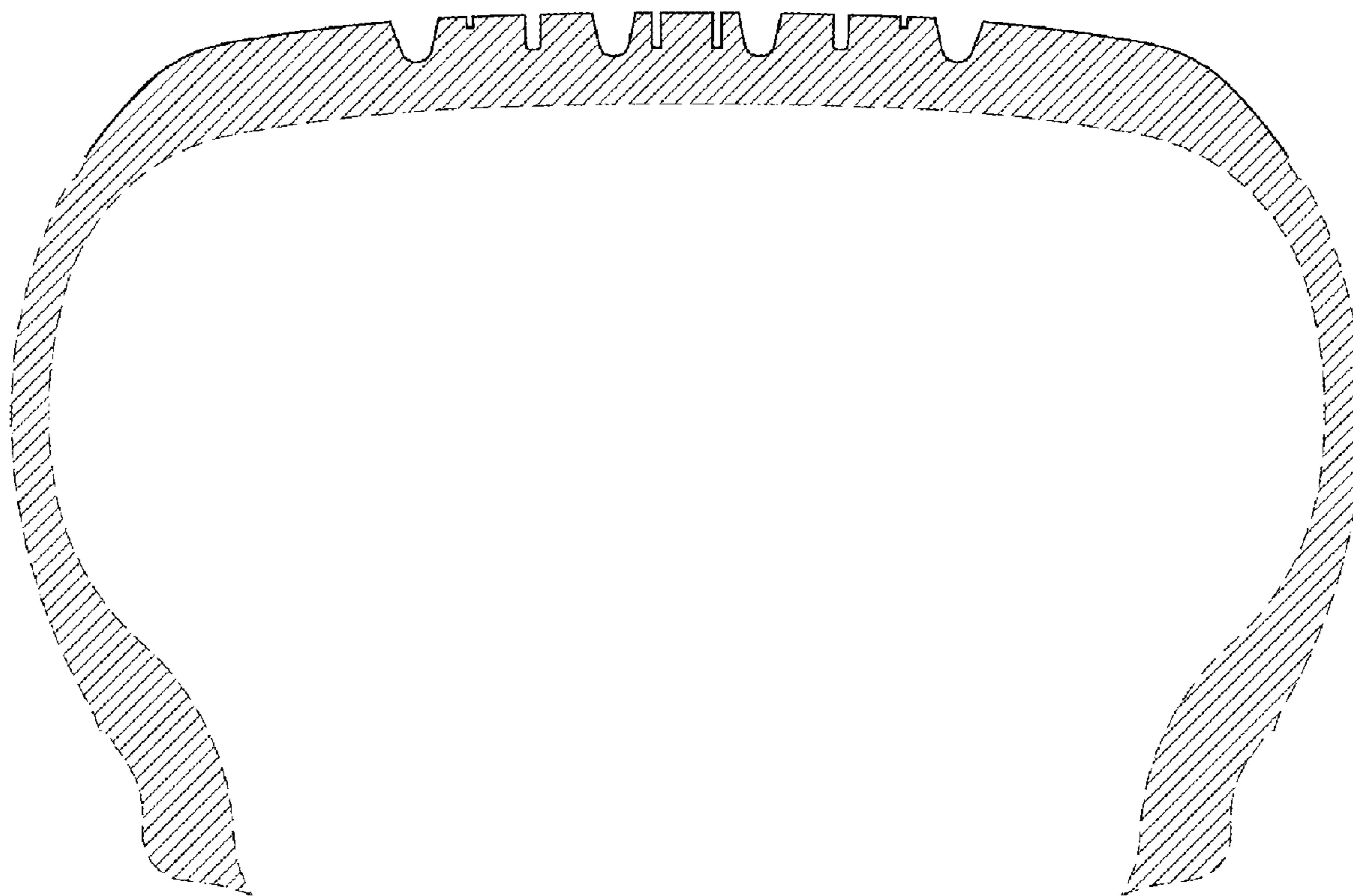


FIGURE 5

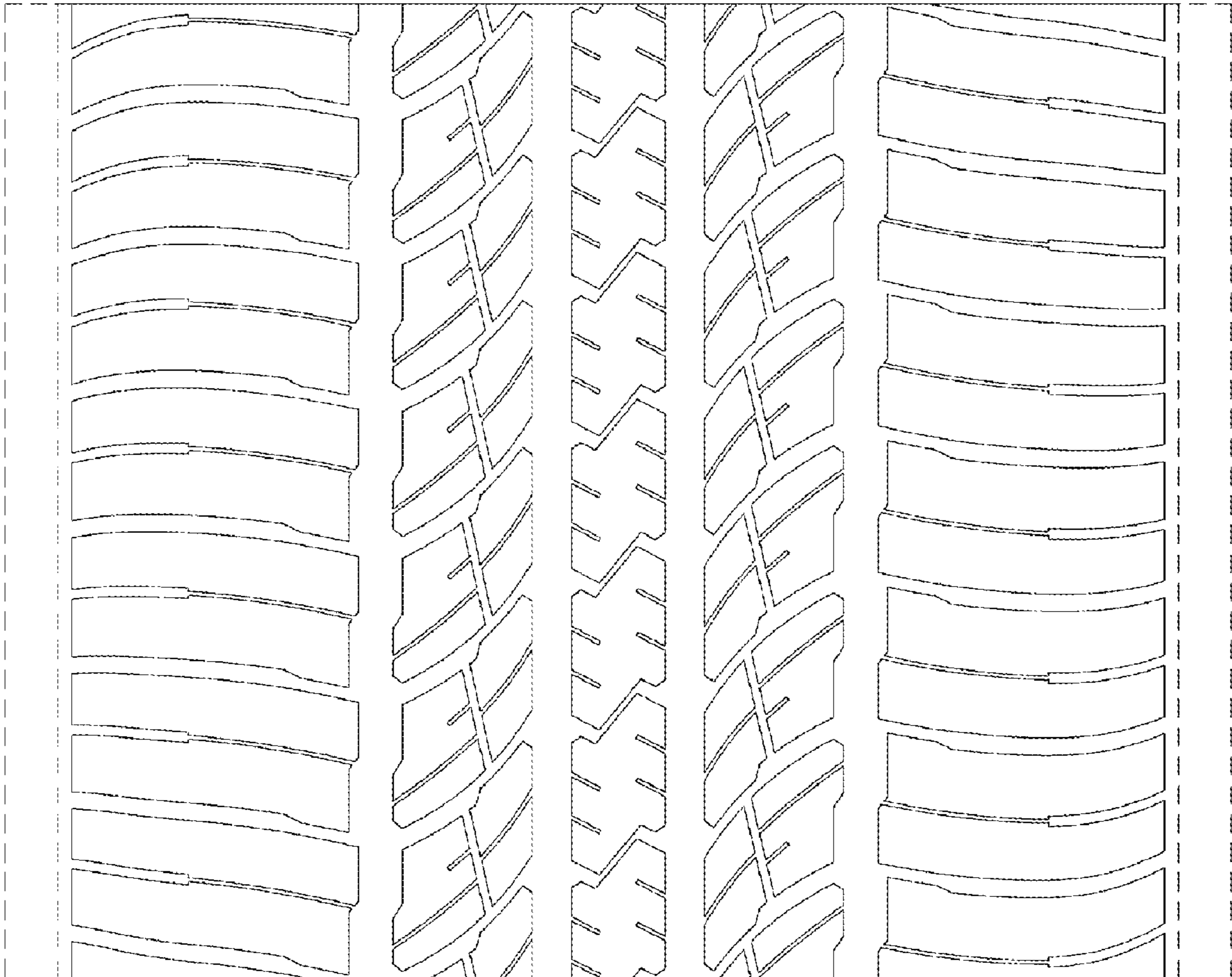


FIGURE 6