



US00D621771S

(12) **United States Design Patent**
Truebsbach

(10) **Patent No.:** **US D621,771 S**
(45) **Date of Patent:** **** Aug. 17, 2010**

(54) **WHEEL OR WHEEL COVER**

D603,318 S 11/2009 Luciani et al.

(75) Inventor: **Sebastian Truebsbach**, Munich (DE)

FOREIGN PATENT DOCUMENTS

(73) Assignee: **Bayerische Motoren Werke Aktiengesellschaft**, Munich (DE)

EM 000304274-0004 5/2005
EM 001621541-0001 10/2009
EM 001099592-0003 11/2009
EM 001598277-0011 1/2010

(**) Term: **14 Years**

* cited by examiner

(21) Appl. No.: **29/354,018**

Primary Examiner—Stacia Cadmus

(22) Filed: **Jan. 19, 2010**

(74) *Attorney, Agent, or Firm*—Crowell & Moring LLP

(30) **Foreign Application Priority Data**

Jul. 20, 2009 (DE) 402009003572

(57) **CLAIM**

The ornamental design for a wheel or wheel cover, as shown and described.

(51) **LOC (9) Cl.** **12-16**

DESCRIPTION

(52) **U.S. Cl.** **D12/211**

(58) **Field of Classification Search** D12/204–213;
301/37.101, 64.101, 65, 64.201
See application file for complete search history.

This application contains subject matter related to the following pending U.S. design patent applications:

Application Ser. No. 29/347,019, filed Aug. 24, 2009; and
Application Ser. No. 29/350,138, filed Nov. 12, 2009.

(56) **References Cited**

U.S. PATENT DOCUMENTS

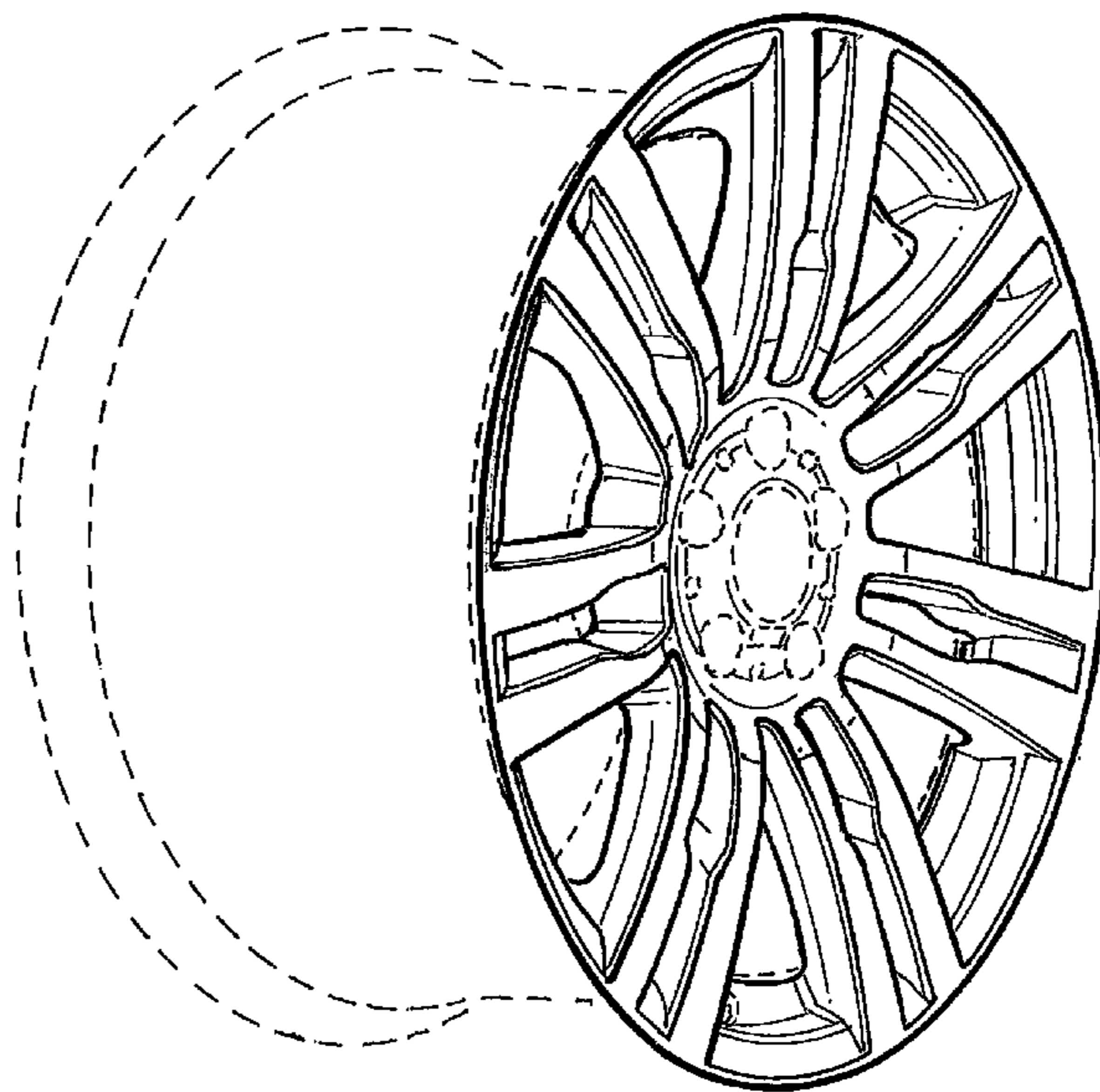
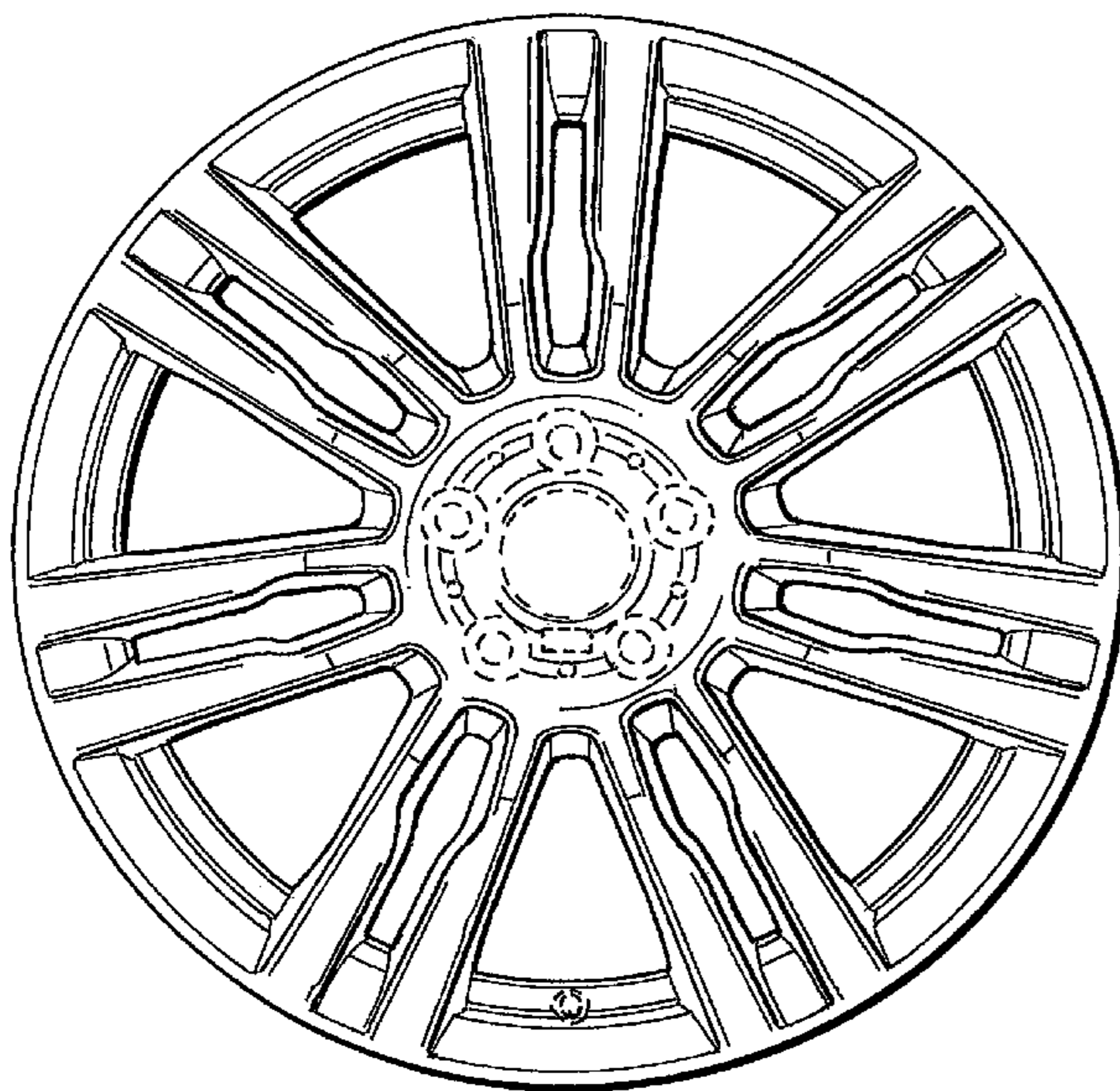
D495,986 S * 9/2004 Walbey, Jr. D12/211
D515,491 S 2/2006 Elmitt
D529,430 S * 10/2006 Hsu D12/209
D535,605 S * 1/2007 Guevara D12/211
D551,148 S * 9/2007 Musser D12/211
D570,762 S * 6/2008 Scheu D12/211
D573,083 S * 7/2008 Hetrick D12/211
D596,101 S * 7/2009 Tant et al. D12/211

FIG. 1 is a front view of a wheel or wheel cover according to my design; and,

FIG. 2 is a perspective view thereof.

The broken line showing of the rear of the rim and the bolt holes and center hole in the central hub area is included for the purpose of illustrating environment and forms no part of the claimed design.

1 Claim, 1 Drawing Sheet



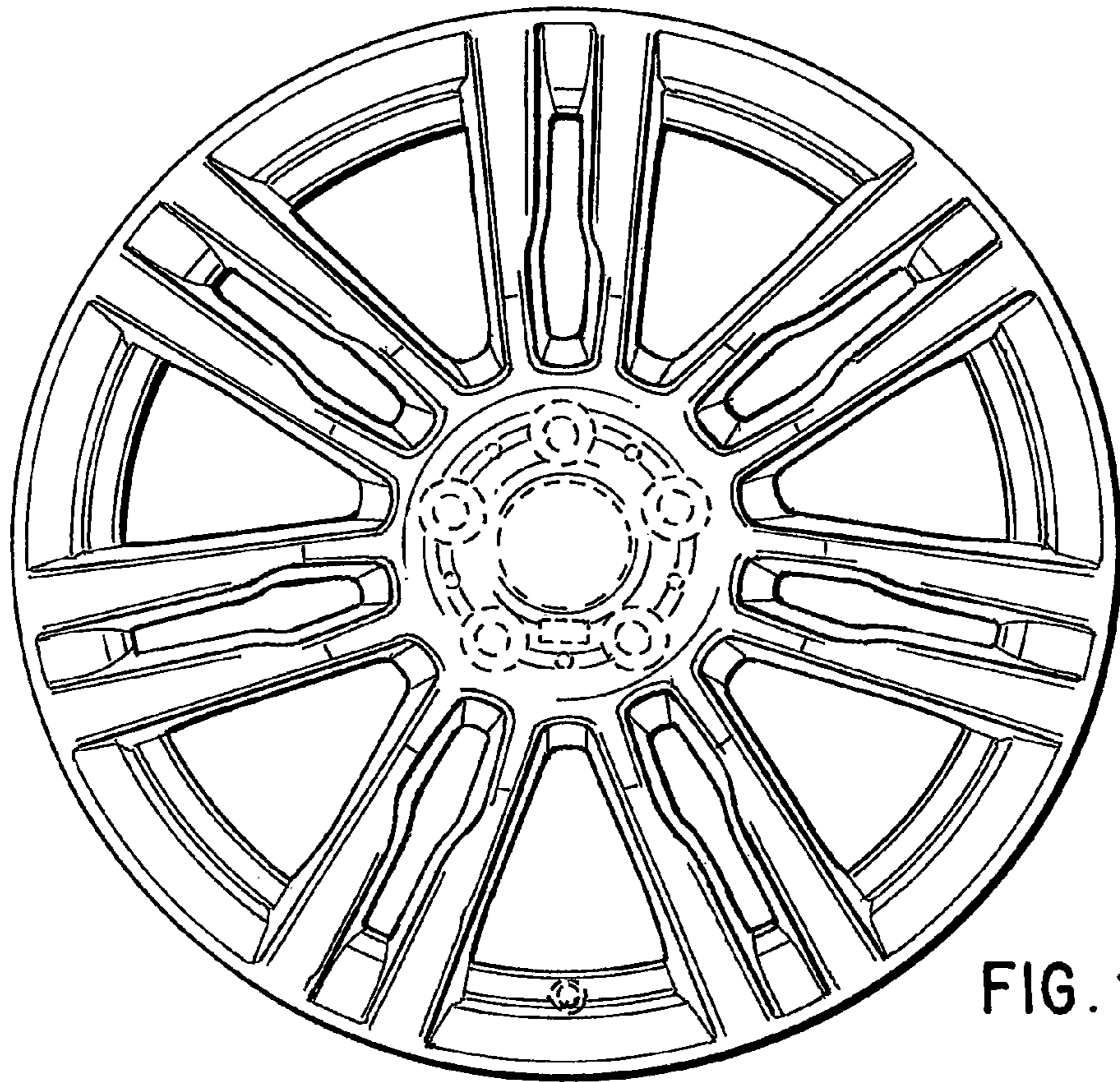


FIG. 1

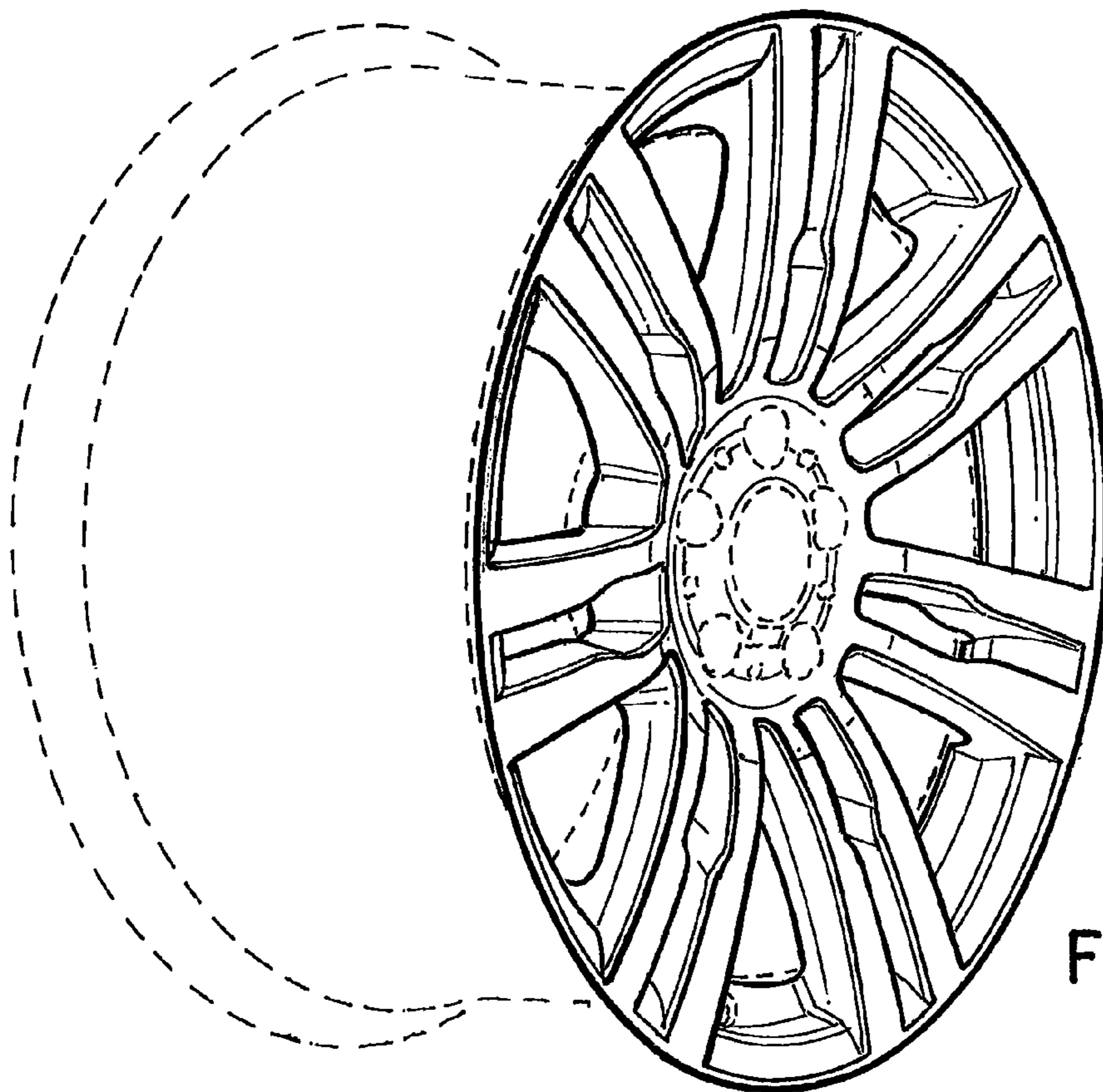


FIG. 2