



US00D621770S

(12) **United States Design Patent**
Pollmann

(10) **Patent No.:** **US D621,770 S**

(45) **Date of Patent:** **** Aug. 17, 2010**

(54) **WHEEL OR WHEEL COVER**

(75) Inventor: **Gert Pollmann**, Boehmfeld (DE)

(73) Assignee: **Bayerische Motoren Werke
Aktiengesellschaft**, Munich (DE)

(**) Term: **14 Years**

(21) Appl. No.: **29/355,690**

(22) Filed: **Feb. 12, 2010**

(30) **Foreign Application Priority Data**

Aug. 14, 2009 (DE) 402009003966

(51) **LOC (9) Cl.** **12-16**

(52) **U.S. Cl.** **D12/209**

(58) **Field of Classification Search** D12/204-213;
301/37.101, 64.101, 65, 64.201
See application file for complete search history.

(56) **References Cited**

U.S. PATENT DOCUMENTS

D528,957 S * 9/2006 Kim D12/209

D533,126 S * 12/2006 Loohe D12/209

D560,586 S * 1/2008 Cheng D12/209

D563,856 S * 3/2008 McCowin D12/209

D567,733 S * 4/2008 Arora D12/209

D567,738 S * 4/2008 Habib et al. D12/211

D586,283 S * 2/2009 Chung D12/209

D593,019 S * 5/2009 Tirado D12/209

D612,787 S * 3/2010 Juergens et al. D12/209

* cited by examiner

Primary Examiner—Stacia Cadmus

(74) *Attorney, Agent, or Firm*—Crowell & Moring LLP

(57) **CLAIM**

The ornamental design for a wheel or wheel cover, as shown and described.

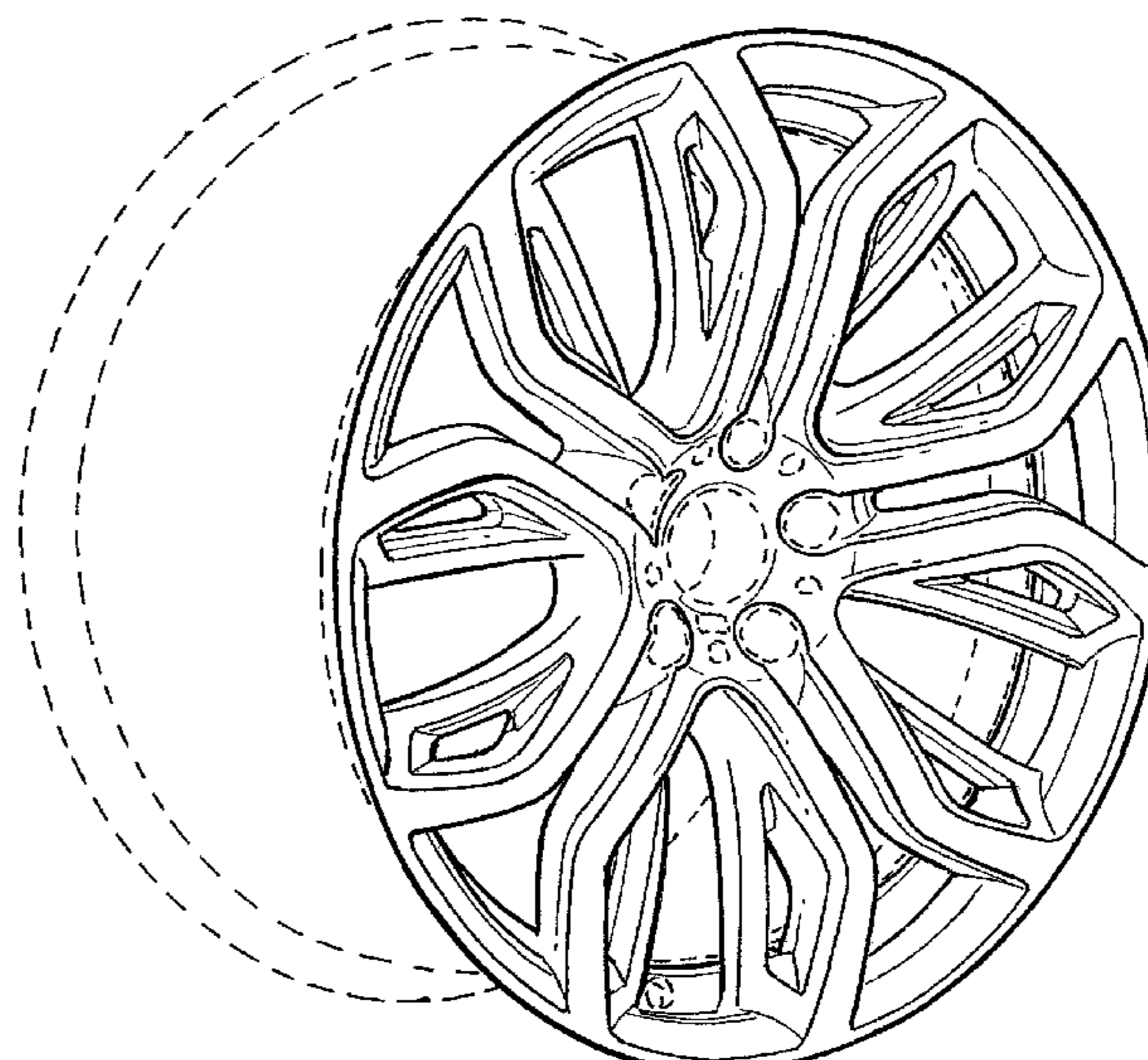
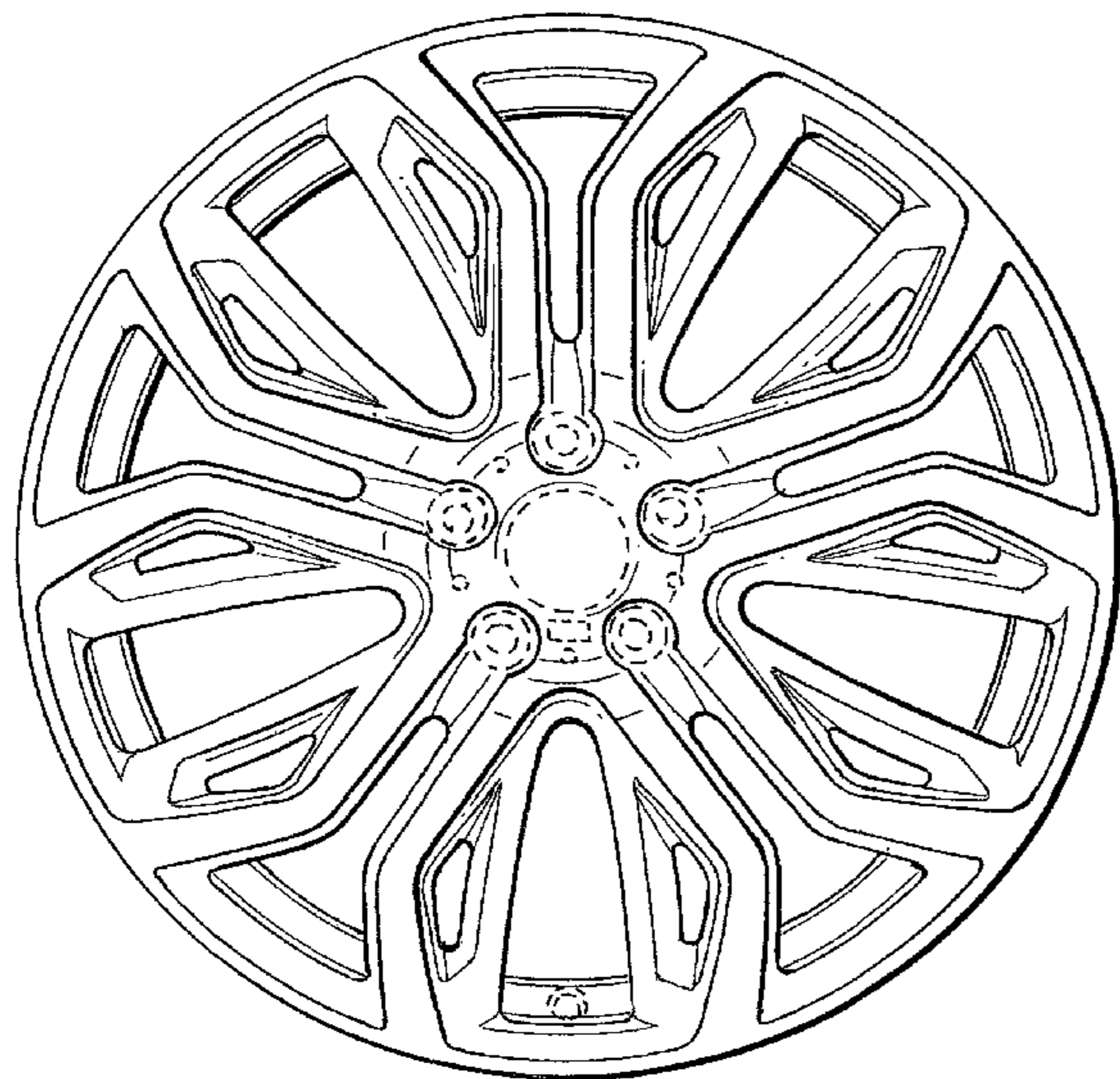
DESCRIPTION

FIG. 1 is a front view of a wheel or wheel cover according to my design; and,

FIG. 2 is a perspective view thereof.

The broken line showing of the rear of the rim and the bolt holes and center hole in the central hub area is included for the purpose of illustrating environment and forms no part of the claimed design.

1 Claim, 1 Drawing Sheet



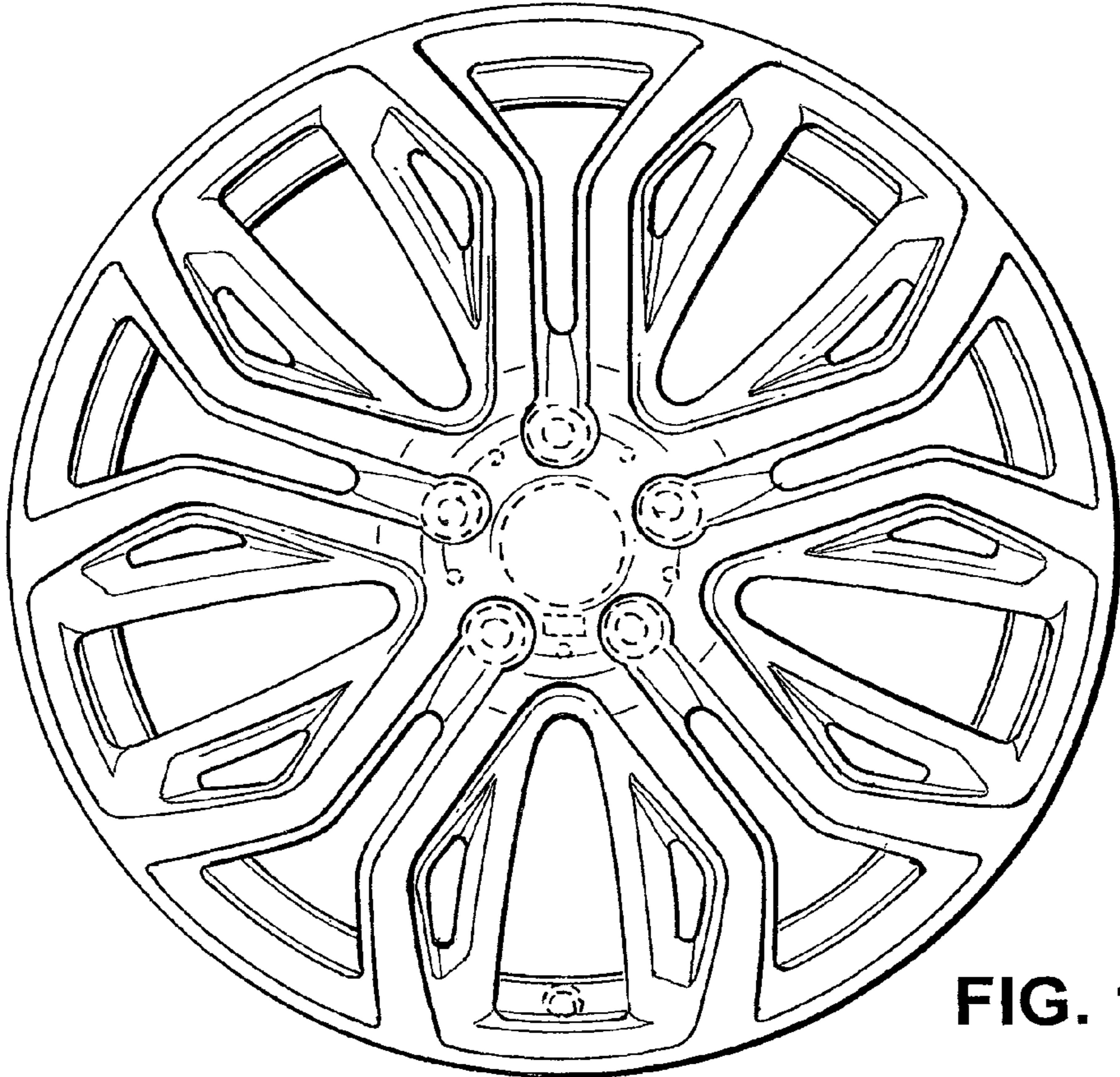


FIG. 1

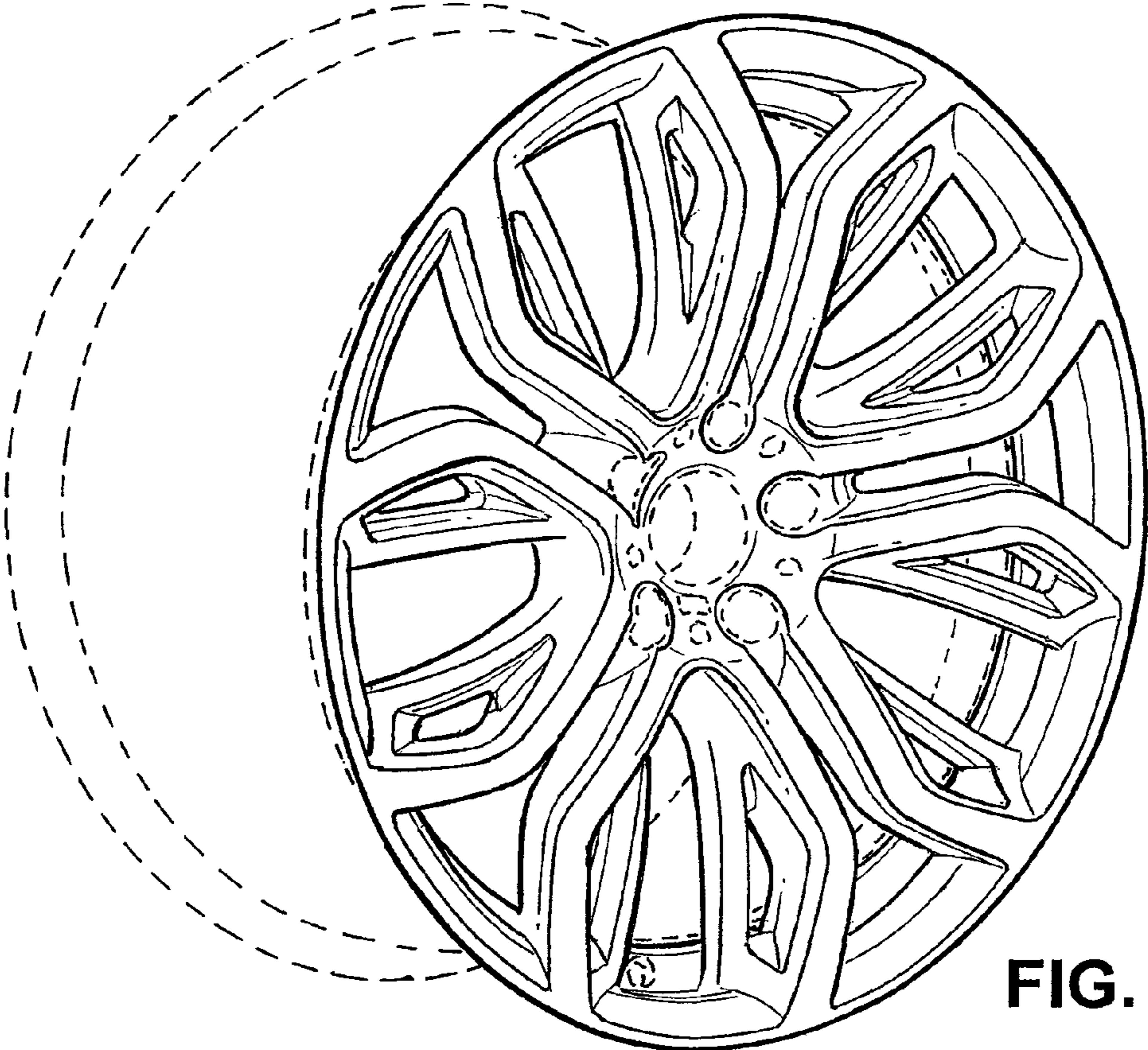


FIG. 2