

US00D621768S

(12) **United States Design Patent**
Juergens et al.

(10) **Patent No.:** **US D621,768 S**

(45) **Date of Patent:** **** Aug. 17, 2010**

(54) **WHEEL OR WHEEL COVER**

(75) Inventors: **Dirk Juergens**, Munich (DE); **Rainer Mueller**, Munich (DE)

(73) Assignee: **Bayerische Motoren Werke Aktiengesellschaft**, Munich (DE)

(**) Term: **14 Years**

(21) Appl. No.: **29/347,279**

(22) Filed: **Nov. 19, 2009**

(30) **Foreign Application Priority Data**

May 20, 2009 (DE) 402009002602

(51) **LOC (9) Cl.** **12-16**

(52) **U.S. Cl.** **D12/209**

(58) **Field of Classification Search** D12/204-213;
301/37.101, 64.101, 65, 64.201

See application file for complete search history.

(56) **References Cited**

U.S. PATENT DOCUMENTS

D407,057 S	3/1999	Goplen	
D436,912 S	1/2001	Boyer	
D452,839 S	1/2002	Muth et al.	
D453,133 S	* 1/2002	Murkett et al.	D12/209
D462,643 S	* 9/2002	Murkett et al.	D12/211
D465,758 S	* 11/2002	Plessing	D12/211
D466,459 S	* 12/2002	Murkett et al.	D12/209
D480,034 S	* 9/2003	Donikoglu	D12/209
D486,110 S	2/2004	Elmitt	
D500,470 S	* 1/2005	Rice	D12/211
D507,225 S	7/2005	Velazco	
D528,954 S	* 9/2006	Laengerer	D12/209
D541,204 S	4/2007	Huet	
D549,633 S	* 8/2007	Sycha	D12/209
D555,566 S	11/2007	Hlinovsky	
D560,152 S	1/2008	Nordmann	

D574,310 S	8/2008	Huet	
D576,533 S	* 9/2008	Gallert	D12/209
D579,847 S	* 11/2008	Hieke	D12/211
D580,334 S	11/2008	Blasi	
D582,331 S	* 12/2008	Blasi	D12/209
D589,423 S	3/2009	Juergens et al.	
D589,426 S	* 3/2009	Yoon	D12/211

FOREIGN PATENT DOCUMENTS

DE	M9701285.8	6/1997
DE	49811299.3	8/1999
DE	40010998.0	3/2001
DE	40106965.6	1/2002
EM	000090410-0003	3/2004
EM	000106513-0006	12/2004
EM	000440813-0006	1/2006
EM	000511639-0005	6/2006
EM	000735758-0006	7/2007
EM	000754593-0001	9/2007
EM	000754593-0004	9/2007
EM	000624812-0003	3/2008

* cited by examiner

Primary Examiner—Stacia Cadmus

(74) *Attorney, Agent, or Firm*—Crowell & Moring LLP

(57) **CLAIM**

The ornamental design for a wheel or wheel cover, as shown and described.

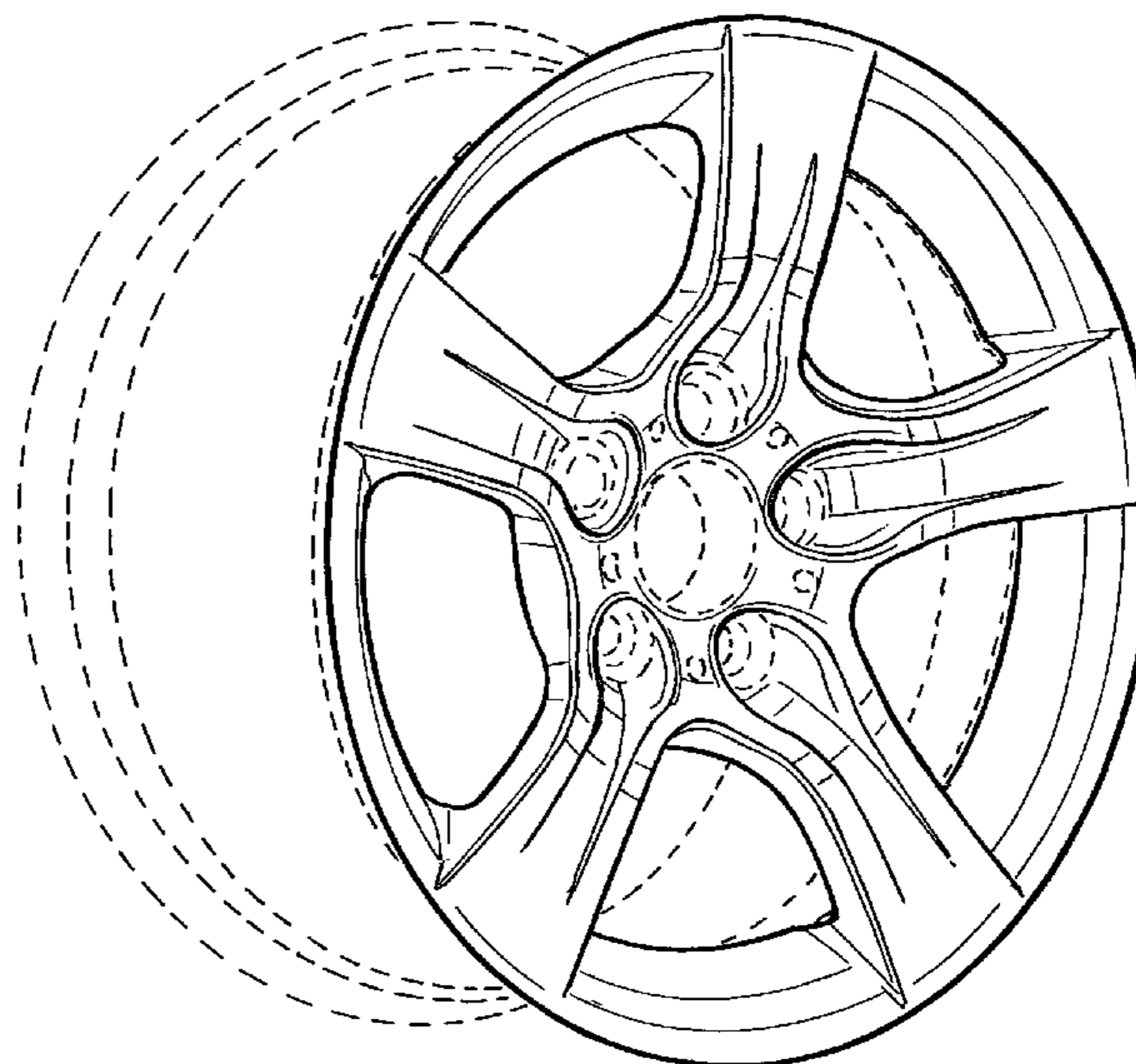
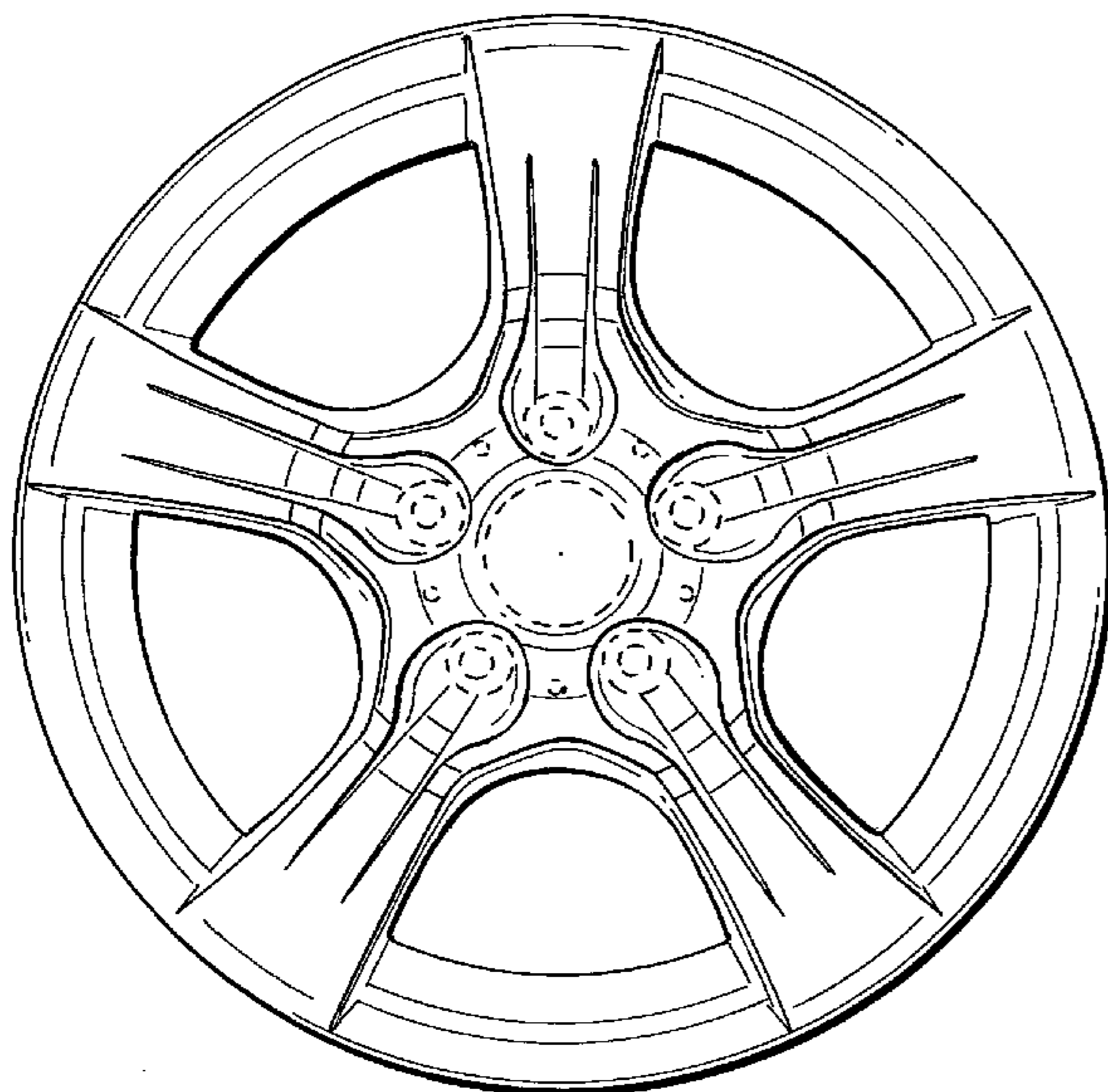
DESCRIPTION

FIG. 1 is a front view of a wheel or wheel cover according to our design; and,

FIG. 2 is a perspective view thereof.

The broken line showing of the rear of the rim and the bolt holes and center hole in the central hub area is included for the purpose of illustrating environment and forms no part of the claimed design.

1 Claim, 1 Drawing Sheet



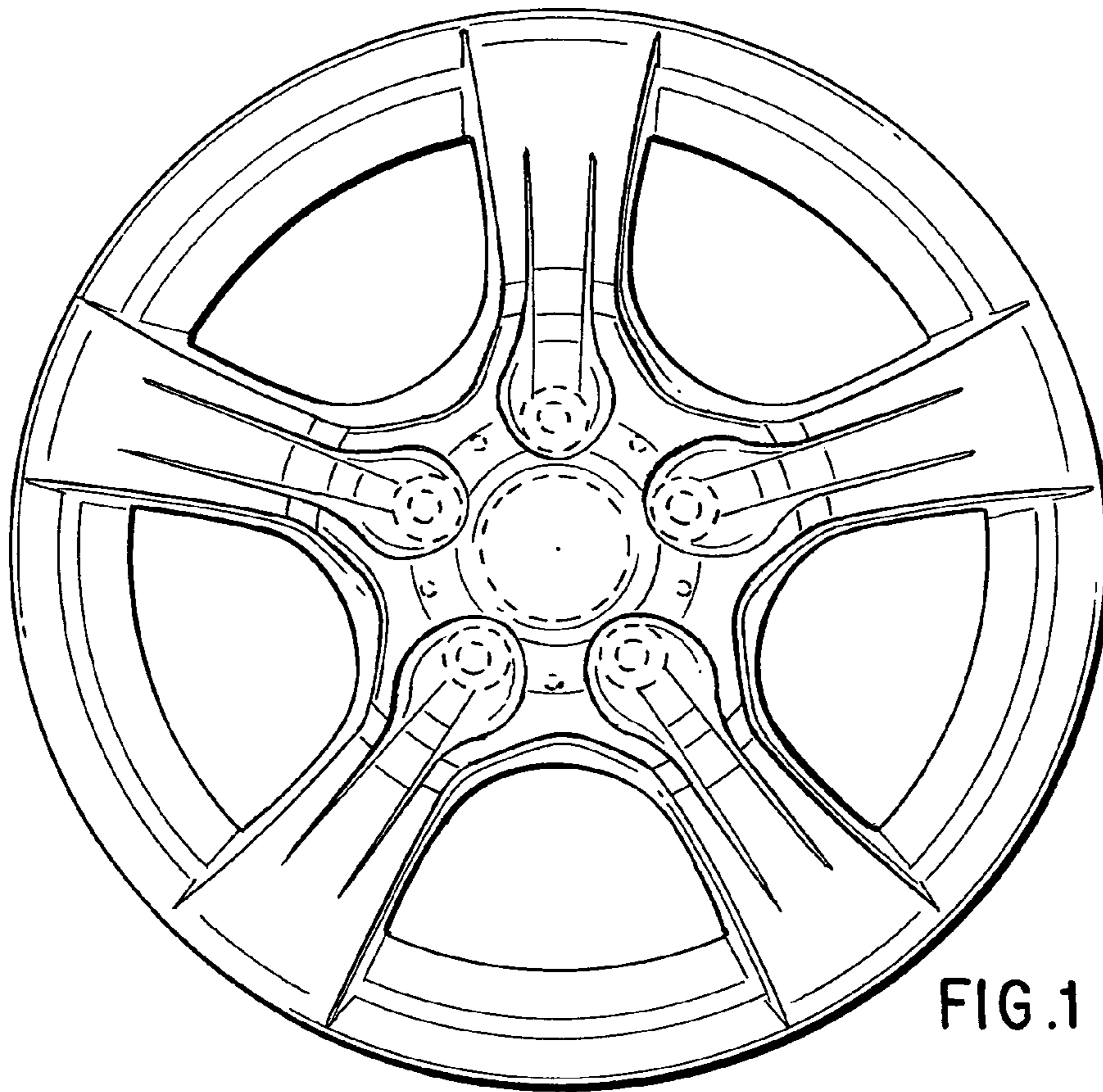


FIG. 1

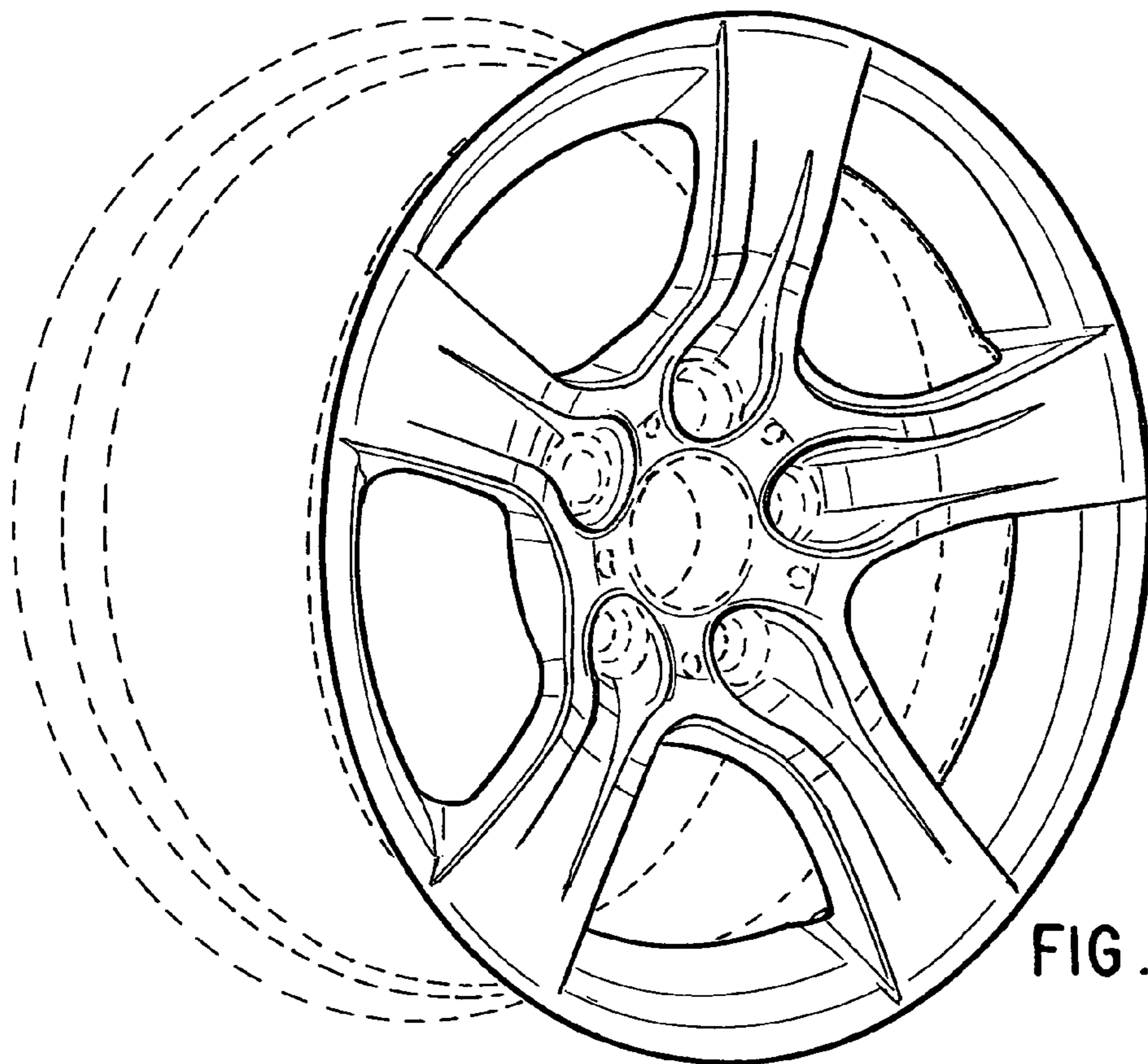


FIG. 2