



US00D621764S

(12) **United States Design Patent**  
**Huet**

(10) **Patent No.:** **US D621,764 S**

(45) **Date of Patent:** **\*\* Aug. 17, 2010**

(54) **DOOR FOR A VEHICLE**

*Primary Examiner*—Melody N Brown  
(74) *Attorney, Agent, or Firm*—Crowell & Moring LLP

(75) Inventor: **Jean-François Alexandre Huet**, Villers  
Allerand (FR)

(57) **CLAIM**

(73) Assignee: **Bayerische Motoren Werke**  
**Aktiengesellschaft**, Munich (DE)

The ornamental design for a door for a vehicle, as shown and described.

(\*\*) Term: **14 Years**

**DESCRIPTION**

(21) Appl. No.: **29/347,400**

This application contains subject matter related to the following pending U.S. design patent applications filed herewith:

(22) Filed: **Dec. 22, 2009**

Application Ser. No. 29/347,397;

(30) **Foreign Application Priority Data**

Application Ser. No. 29/347,406; and,

Jul. 1, 2009 (DE) ..... 402009003243

Application Ser. No. 29/347,403.

(51) **LOC (9) Cl.** ..... **12-16**

FIG. 1 is a left perspective view of an embodiment of a door for a vehicle according to my design;

(52) **U.S. Cl.** ..... **D12/196**

FIG. 2 is a right perspective view thereof;

(58) **Field of Classification Search** ..... D12/196,

FIG. 3 is a front view thereof;

D12/90-92, 86; 296/181.1, 181.5

FIG. 4 is a left side view thereof;

See application file for complete search history.

FIG. 5 is a right side view thereof;

(56) **References Cited**

FIG. 6 is a top view thereof; and

**U.S. PATENT DOCUMENTS**

FIG. 7 is a bottom view thereof.

D479,170 S 9/2003 Boyer

FIG. 8 is a right perspective view of a second embodiment of the door for a vehicle according to my design;

D573,522 S \* 7/2008 Sato et al. .... D12/196

FIG. 9 is a left perspective view of FIG. 8;

D580,331 S \* 11/2008 Gueler et al. .... D12/196

FIG. 10 is a front view of FIG. 8;

D583,288 S \* 12/2008 Leclercq ..... D12/196

FIG. 11 is a right side view of FIG. 8;

D583,289 S \* 12/2008 Leclercq ..... D12/196

FIG. 12 is a left side view of FIG. 8;

D593,016 S 5/2009 Habib

FIG. 13 is a top view of FIG. 8; and,

D593,471 S \* 6/2009 Larson ..... D12/196

FIG. 14 is a bottom view of FIG. 8.

D597,011 S \* 7/2009 Habib ..... D12/196

The broken lines are for illustrative purposes only and form no part of the claimed design.

D612,786 S \* 3/2010 Hildebrand et al. .... D12/196

**FOREIGN PATENT DOCUMENTS**

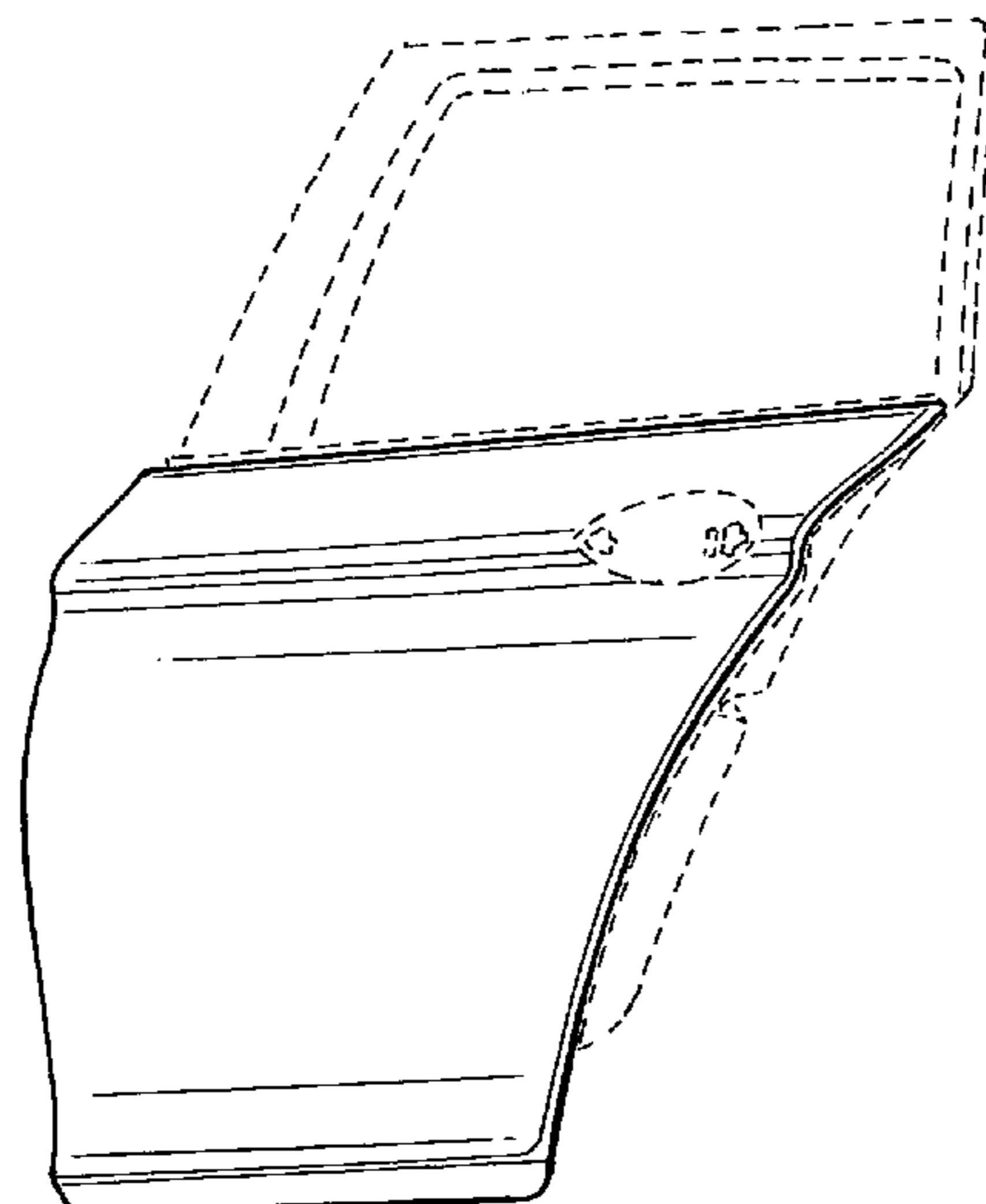
WO DM/063034 4/2003

WO DM/065936 11/2004

WO DM/069623 6/2008

\* cited by examiner

**1 Claim, 6 Drawing Sheets**



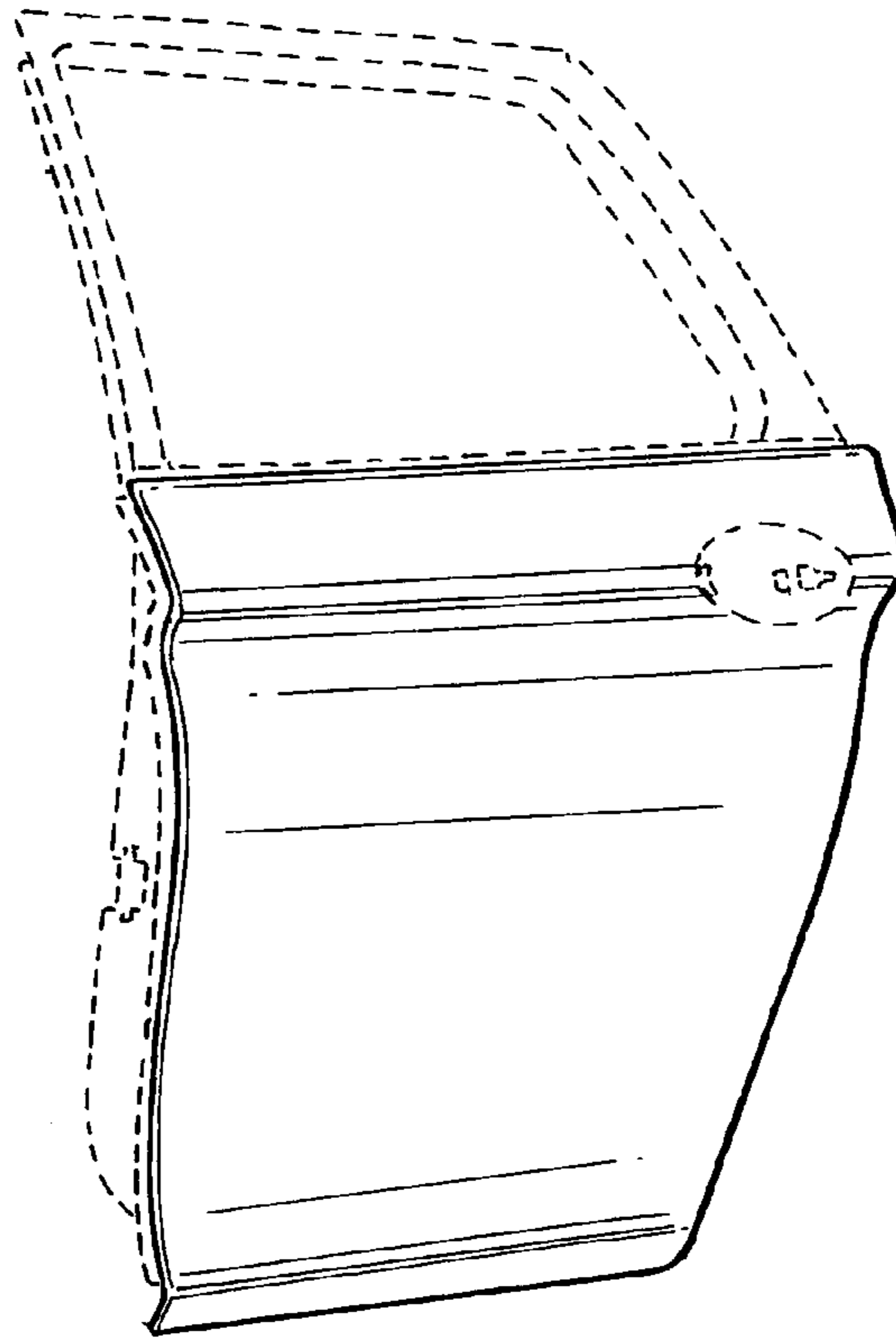


FIG. 1

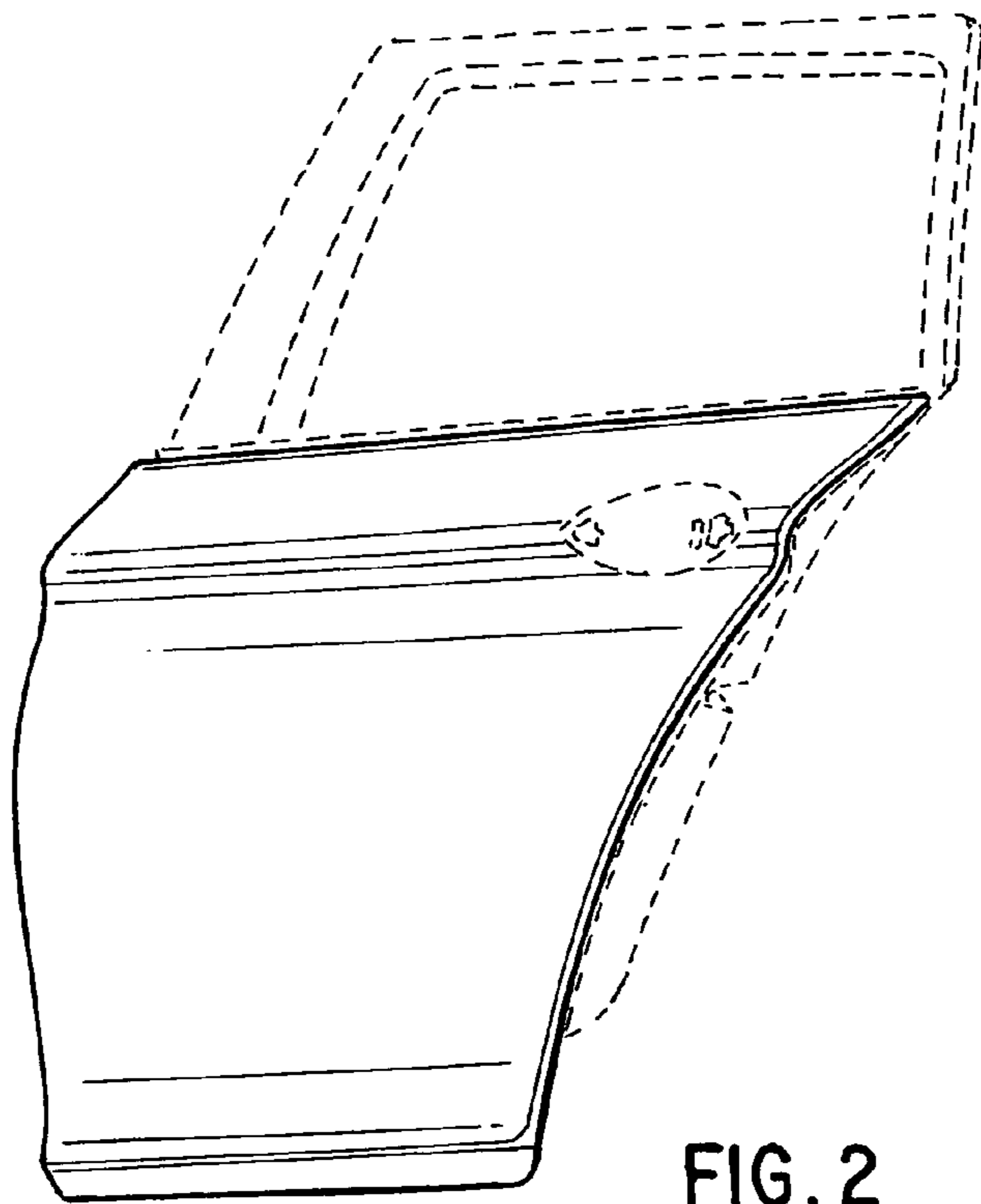
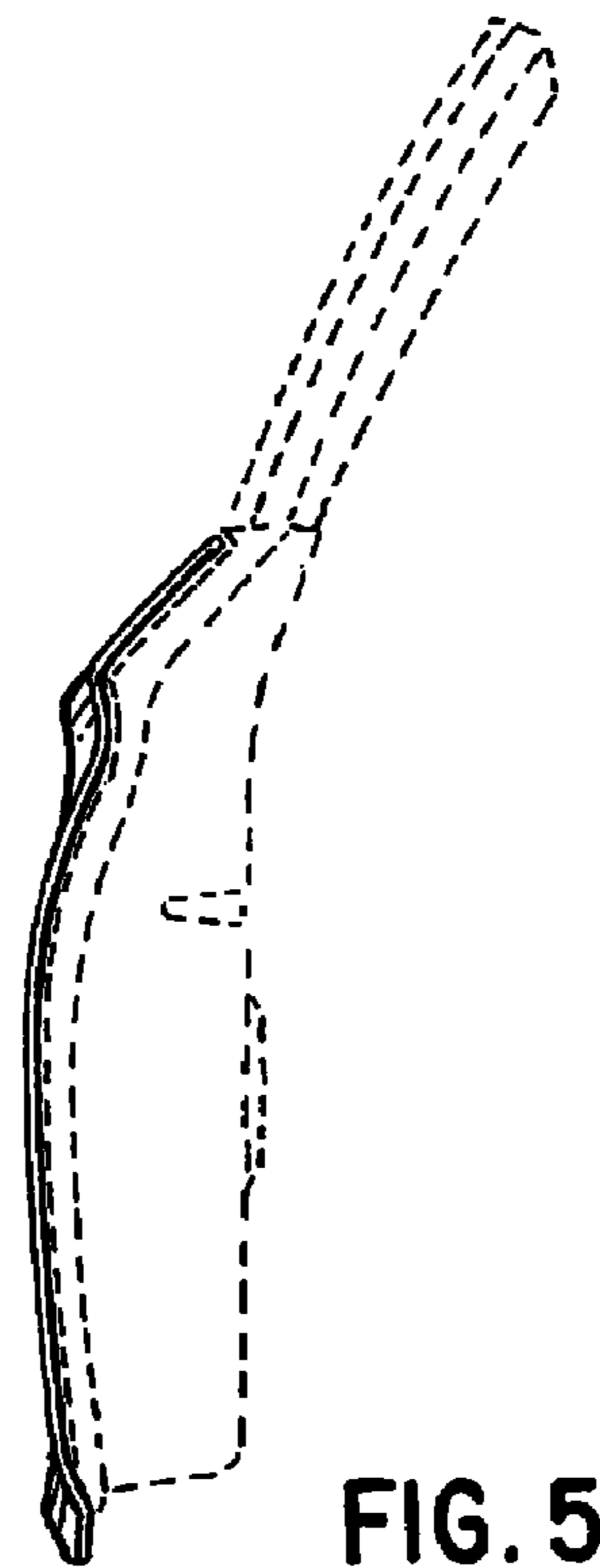
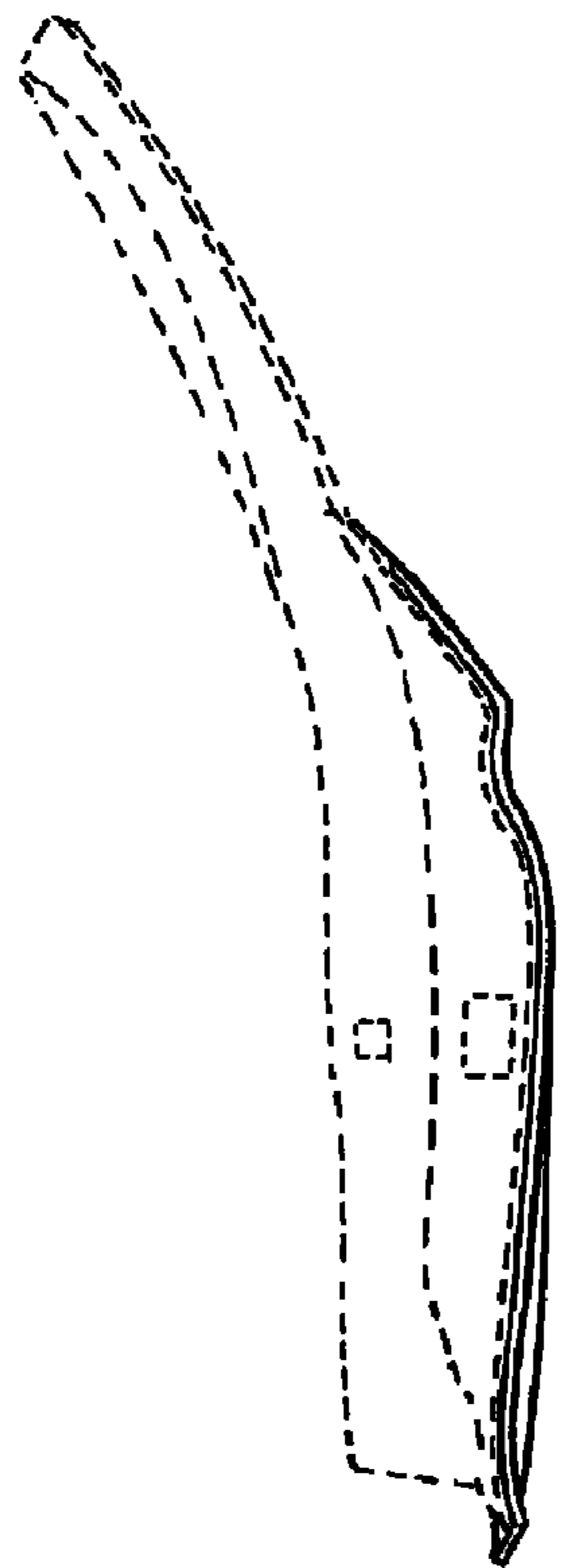
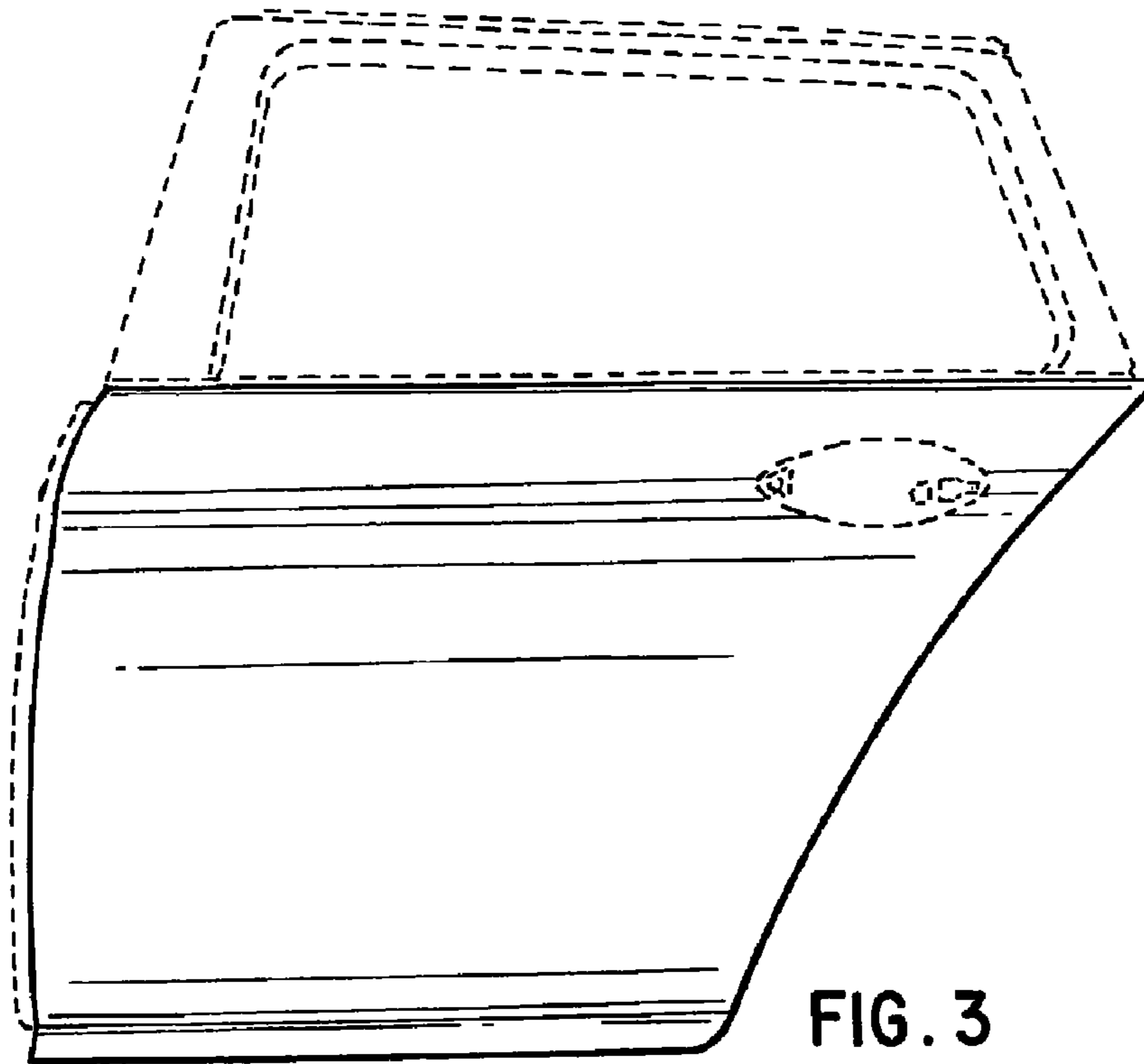


FIG. 2



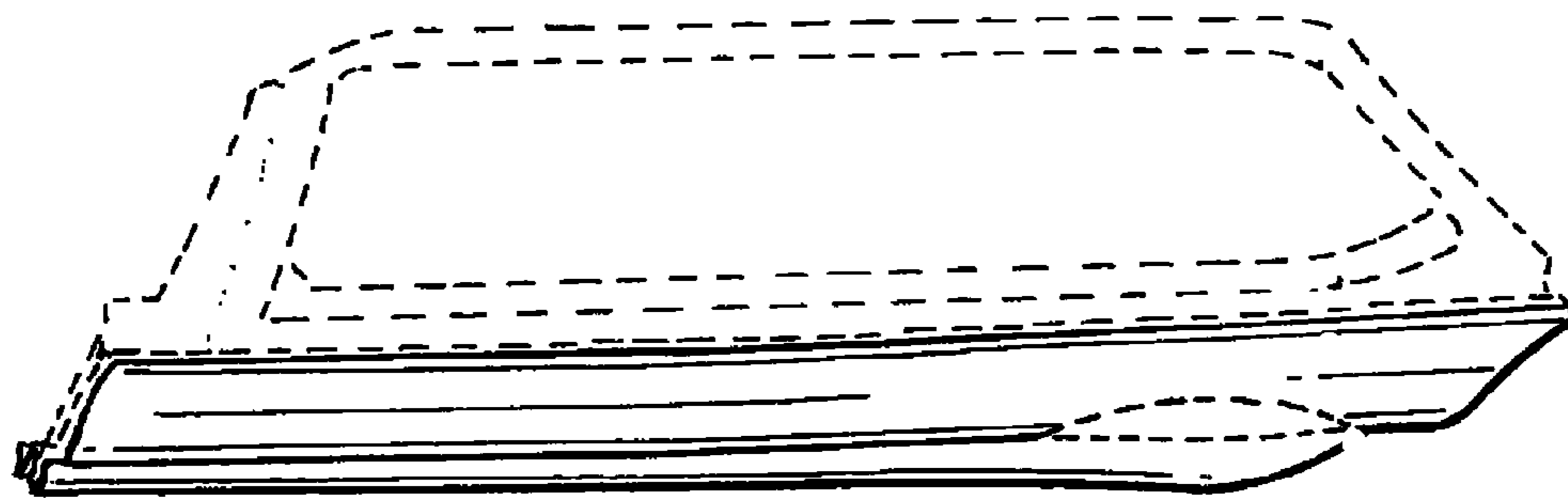


FIG. 6

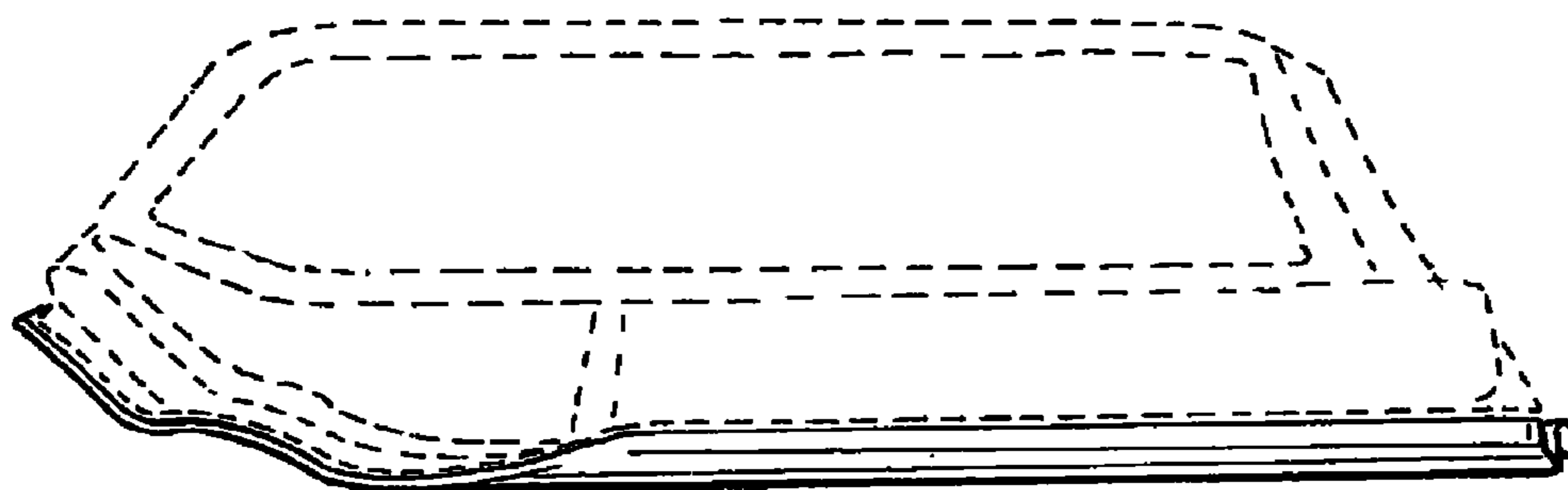


FIG. 7

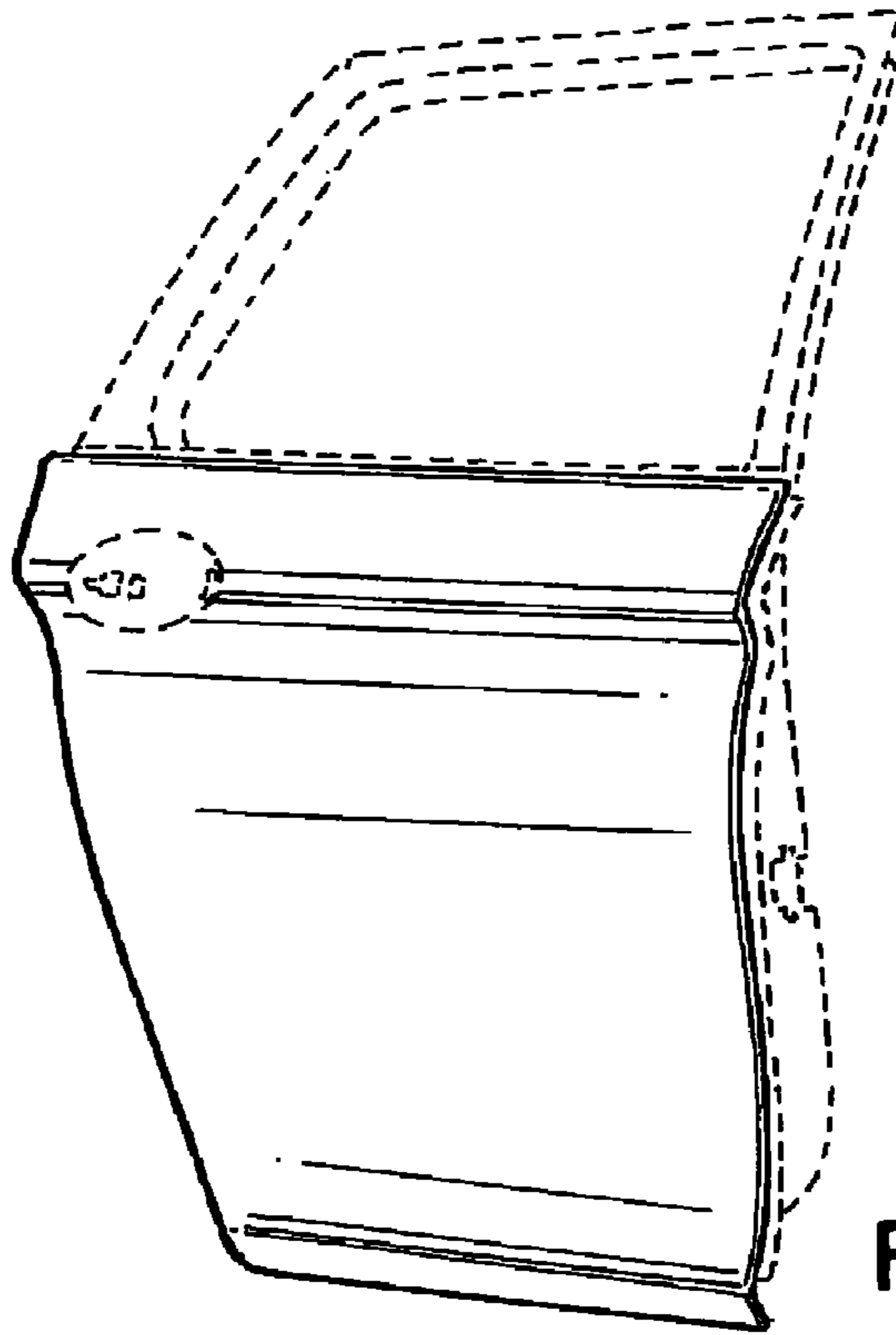


FIG. 8

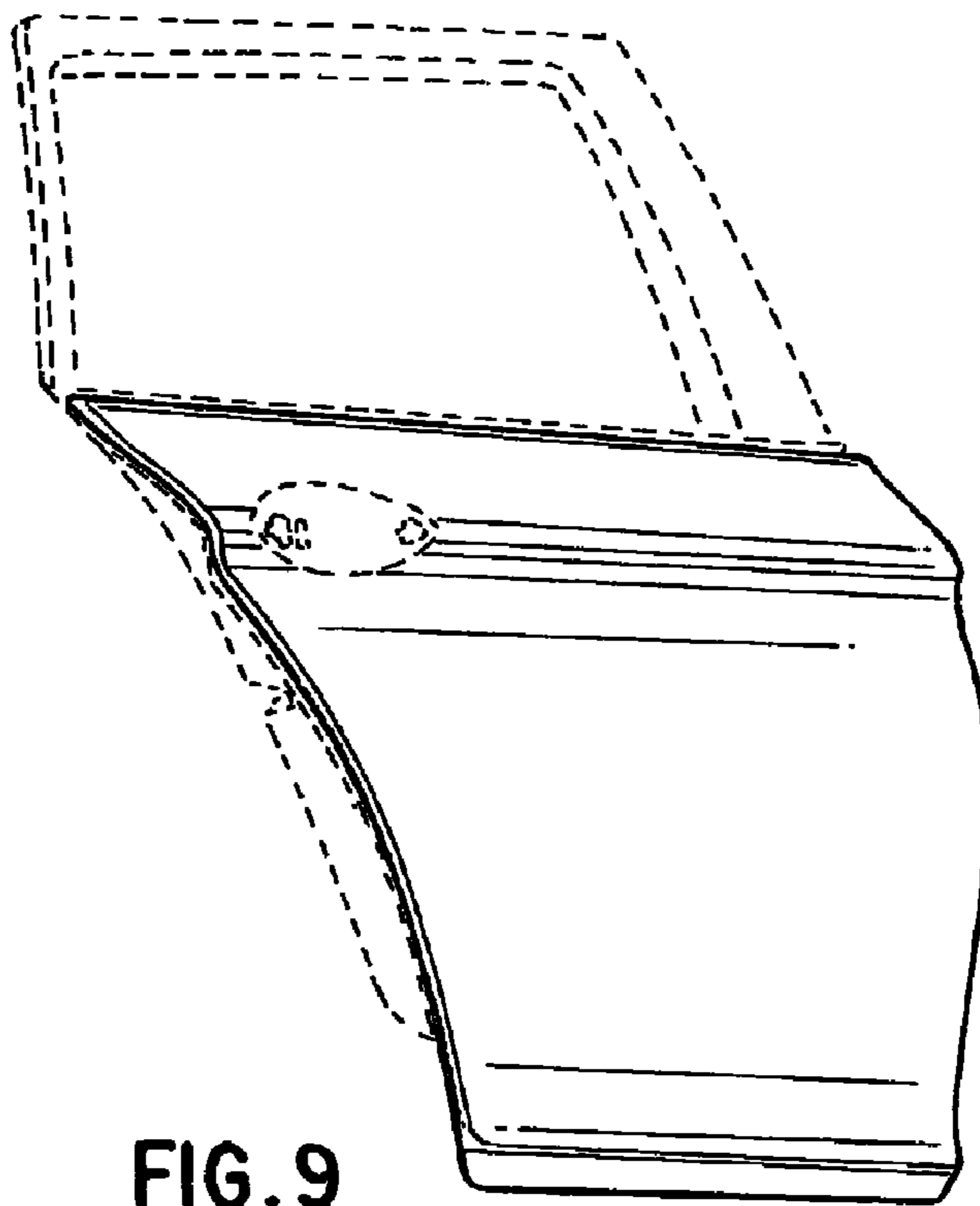


FIG. 9

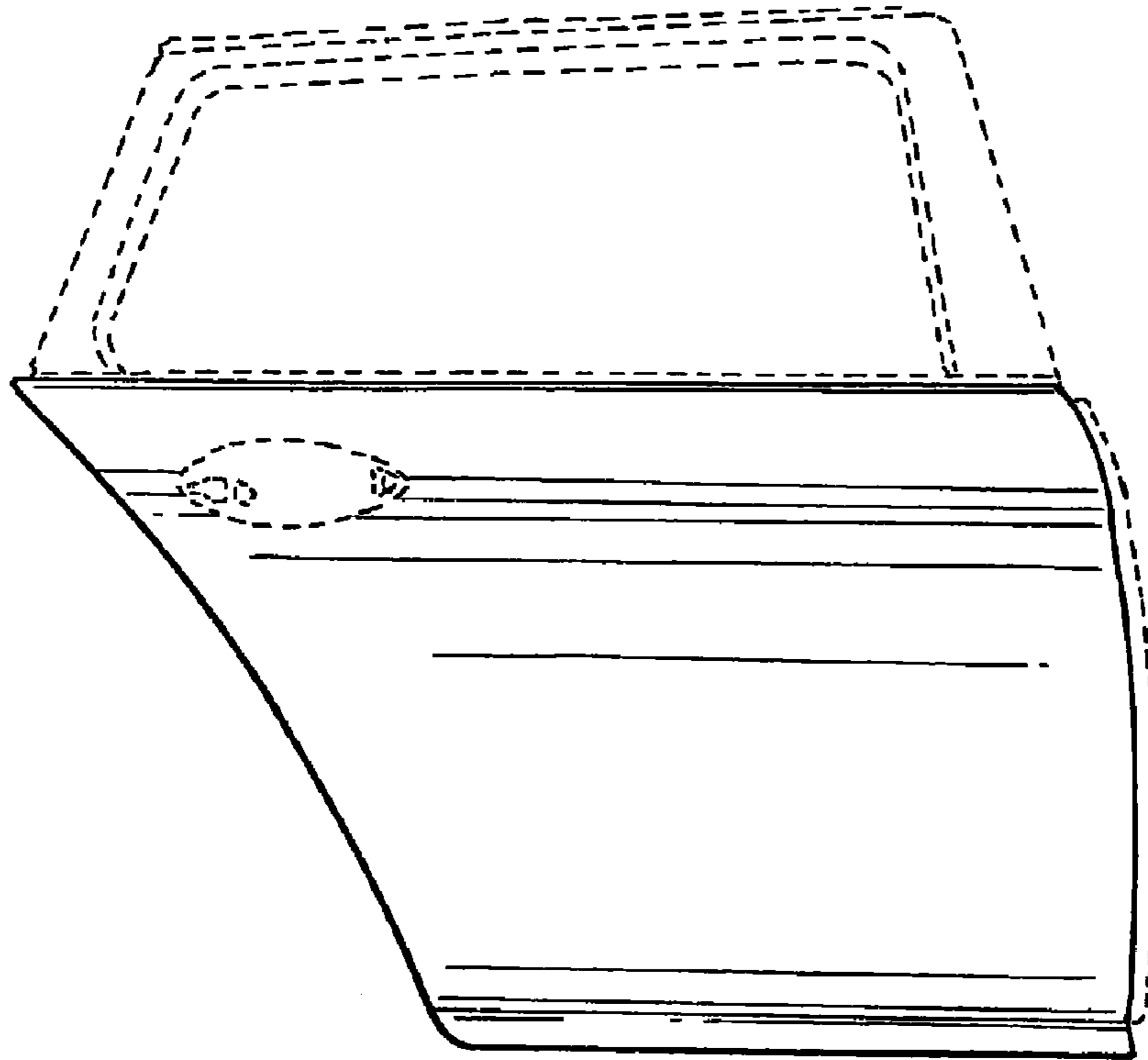


FIG. 10

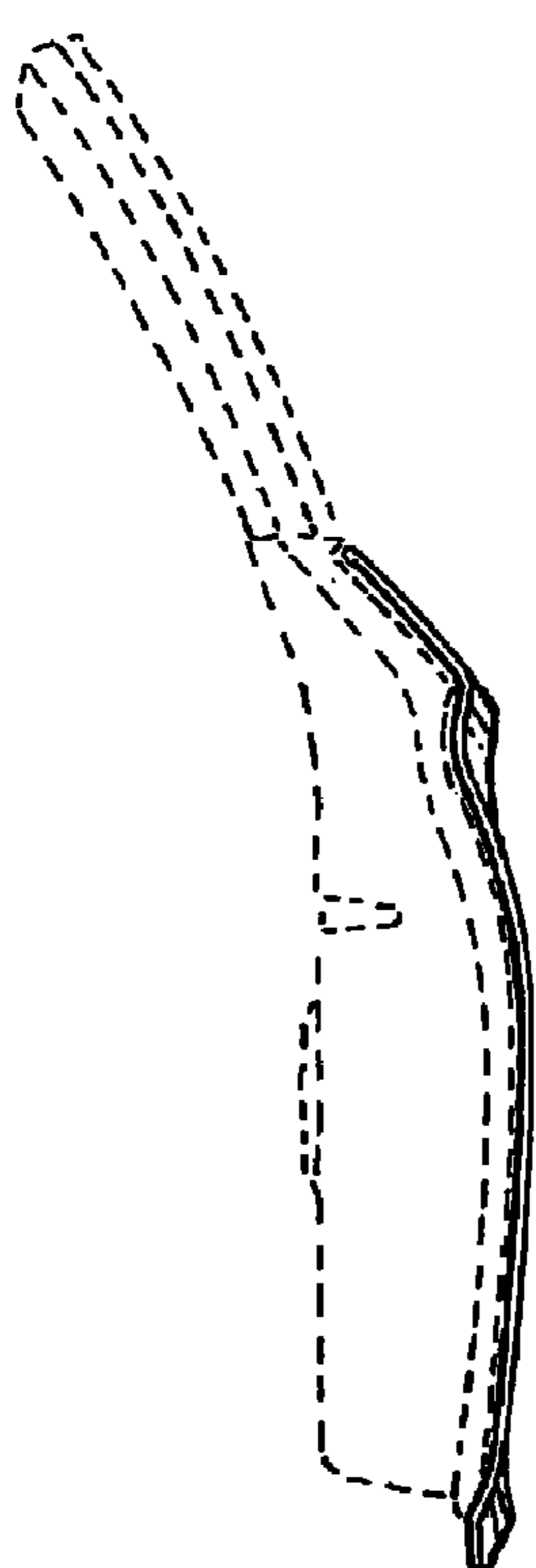


FIG. 12

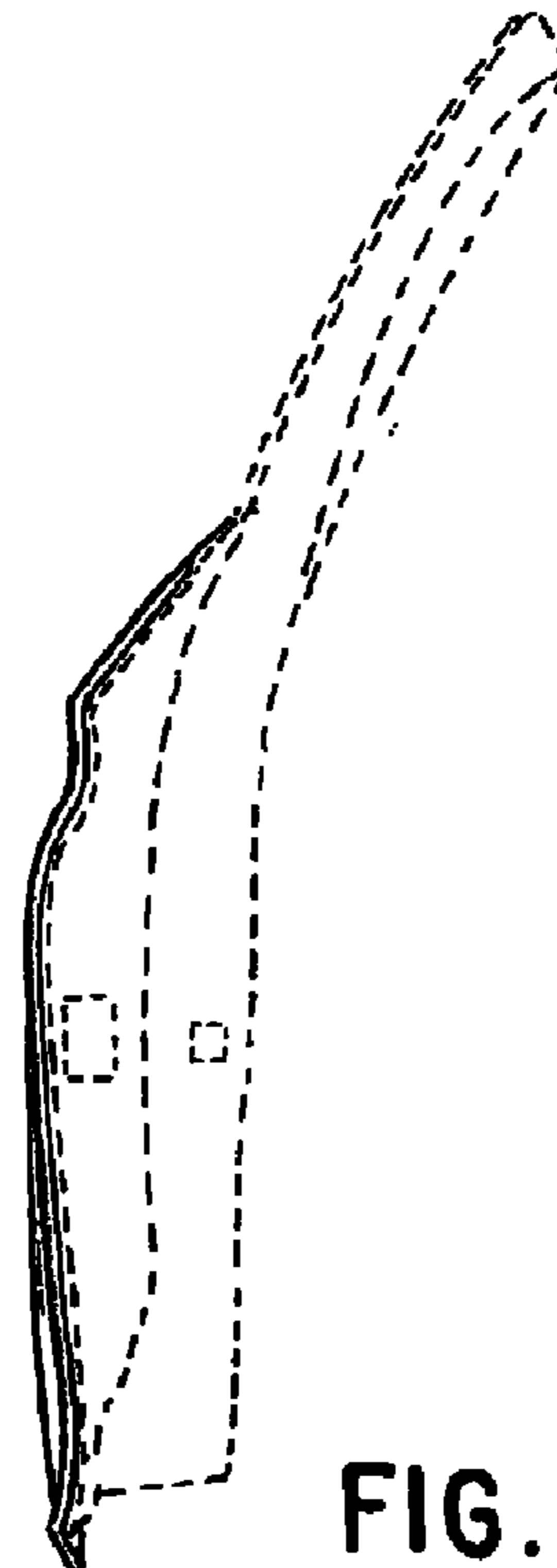


FIG. 11

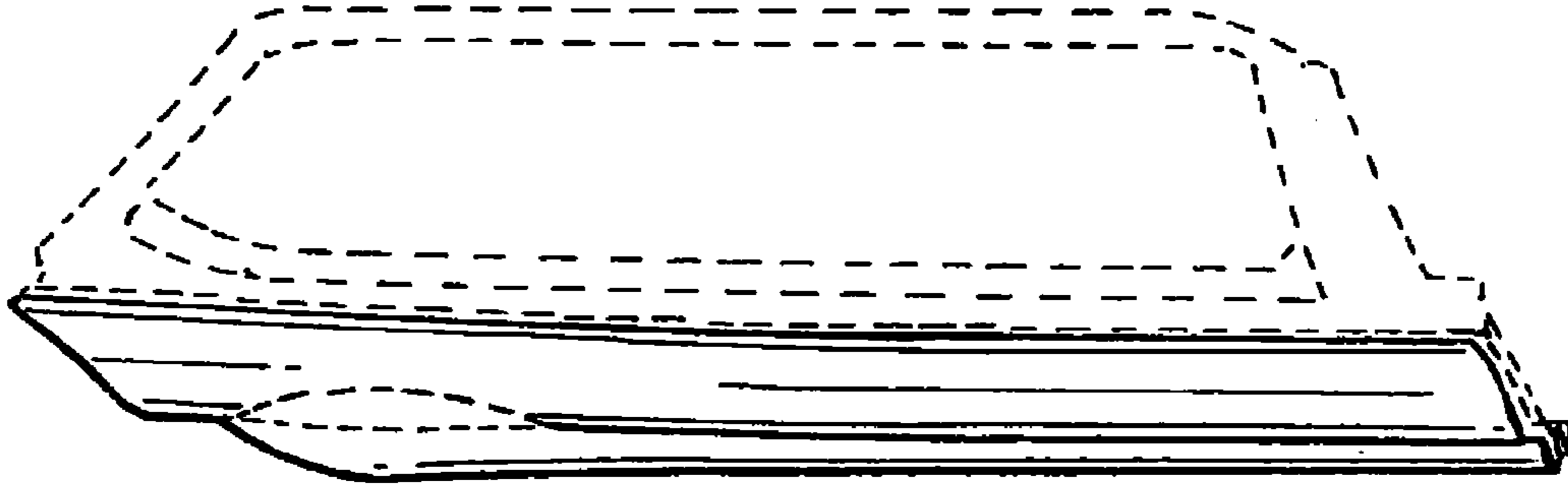


FIG. 13

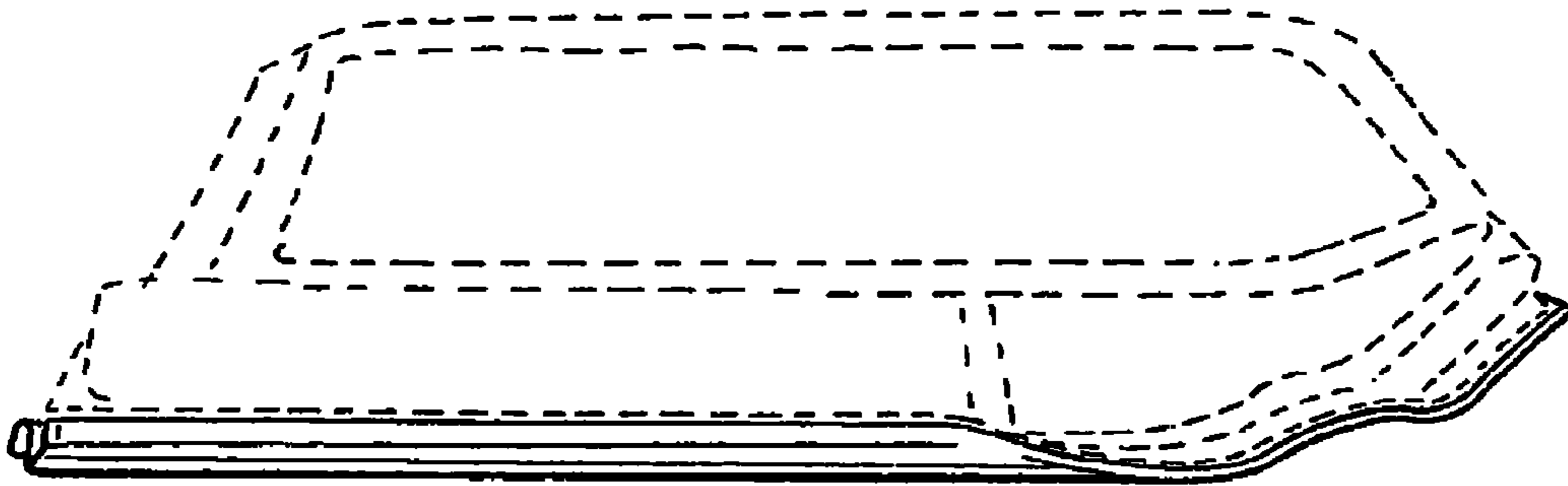


FIG. 14