



US00D621762S

(12) **United States Design Patent**
Schmid

(10) **Patent No.:** **US D621,762 S**

(45) **Date of Patent:** **** Aug. 17, 2010**

(54) **STYLIZED EXHAUST TIP FOR VEHICLES**

(76) **Inventor:** **Martin Schmid, C./Trademark Central,**
36 Riparian Plaza, 71 Eagle Street,
Brisbane, QLD (AU) 4000

(**) **Term:** **14 Years**

(21) **Appl. No.:** **29/340,890**

(22) **Filed:** **Jul. 28, 2009**

(51) **LOC (9) Cl.** **12-16**

(52) **U.S. Cl.** **D12/194**

(58) **Field of Classification Search** D12/194,
D12/190, 400, 114; D15/5; D21/145-147;
280/152.1-152.3, 160.1, 304.3, 770, 848,
280/552; 181/239-243, 227, 249, 255, 228,
181/247, 252, 284; 60/323, 276, 272; 123/41.73,
123/41.7, 184.34, 184.36

See application file for complete search history.

(56) **References Cited**

U.S. PATENT DOCUMENTS

- D10,970 S * 12/1878 Weller et al. D9/669
- D202,915 S * 11/1965 Nelson D7/684
- 5,447,584 A * 9/1995 Shakespeare et al. 156/63
- D373,303 S * 9/1996 Bailey D8/373
- D427,638 S * 7/2000 Collins et al. D20/10
- D462,898 S * 9/2002 Weinstock D9/669

- D534,111 S * 12/2006 Wannamaker D12/194
- D539,201 S * 3/2007 Tine, Jr. D12/194
- D546,026 S * 7/2007 Ellsworth D1/106
- 7,357,986 B2 * 4/2008 Tam et al. 428/397
- D571,612 S * 6/2008 Wood D7/515
- D575,508 S * 8/2008 Shanahan D3/271.1
- D593,323 S * 6/2009 Kaspor D3/271.1

* cited by examiner

Primary Examiner—Robert M Spear

Assistant Examiner—Cynthia Underwood

(74) *Attorney, Agent, or Firm*—QuickPatents, Inc.; Kevin Prince

(57) **CLAIM**

The ornamental design for a stylized exhaust tip for vehicles, as shown.

DESCRIPTION

FIG. 1 is a front view of a stylized exhaust tip for vehicles.

FIG. 2 is a top view thereof;

FIG. 3 is a right side view thereof;

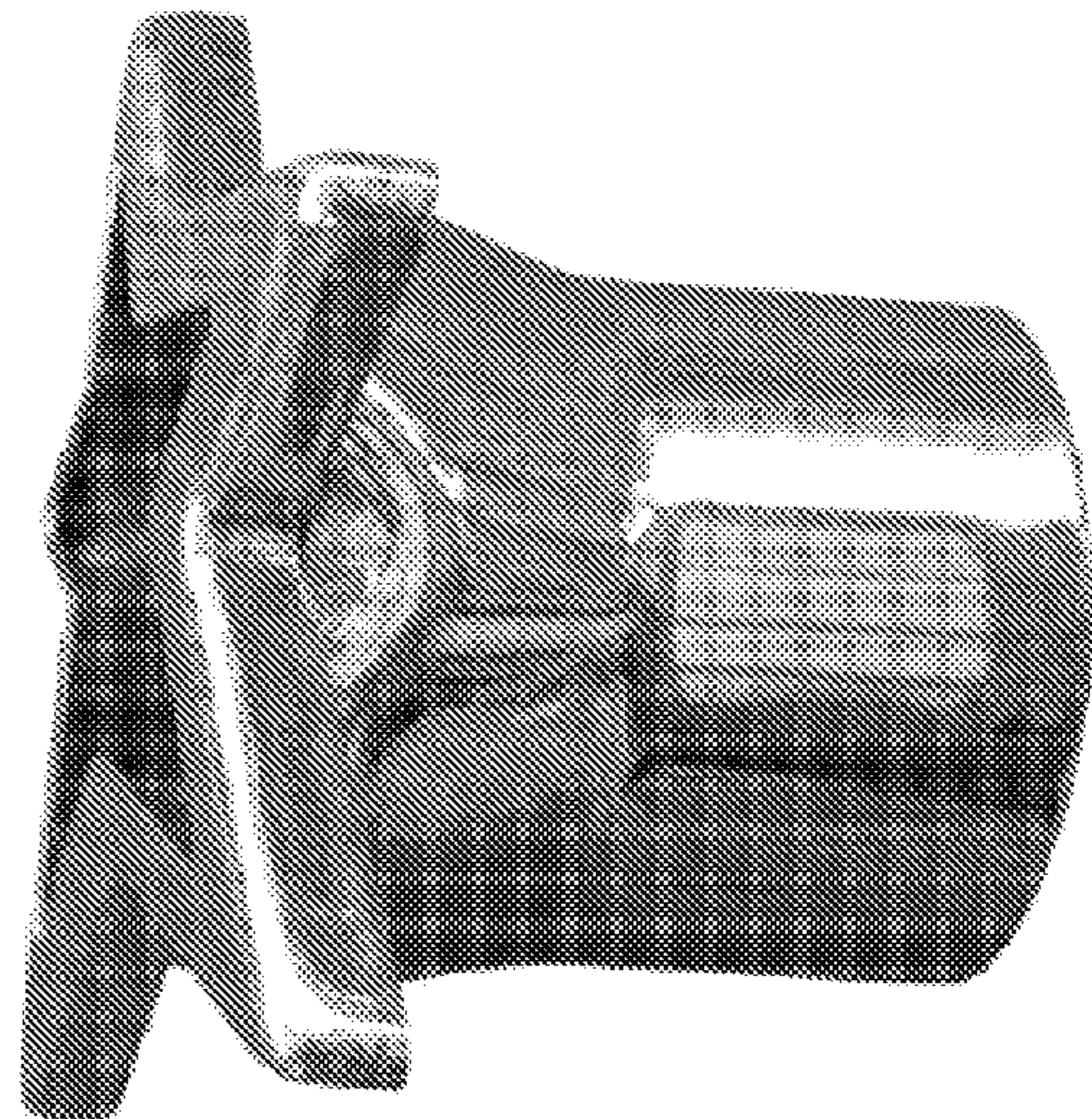
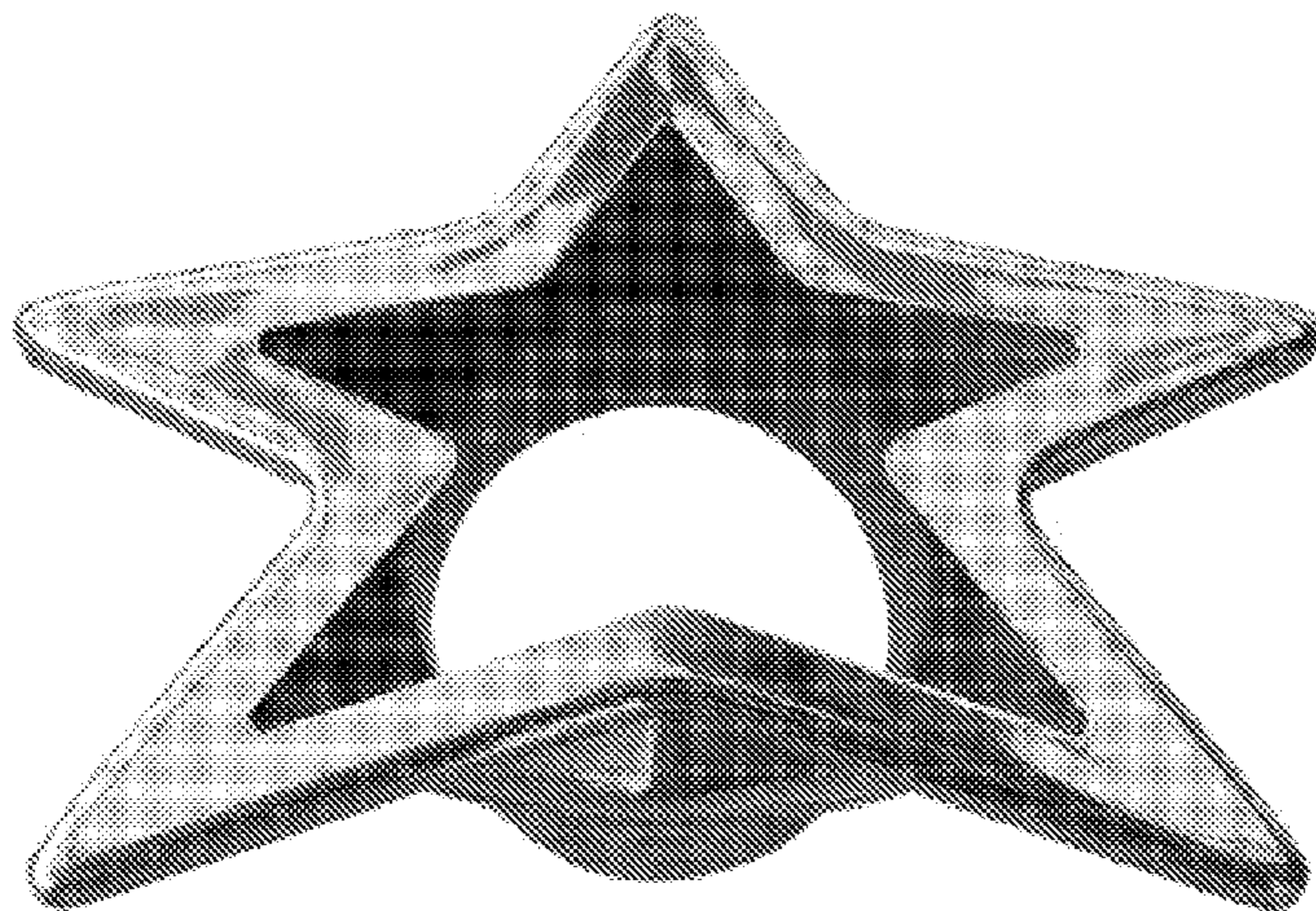
FIG. 4 is a second right side view thereof;

FIG. 5 is a left side view thereof;

FIG. 6 is a second left side view thereof; and,

FIG. 7 is a bottom view thereof.

1 Claim, 7 Drawing Sheets



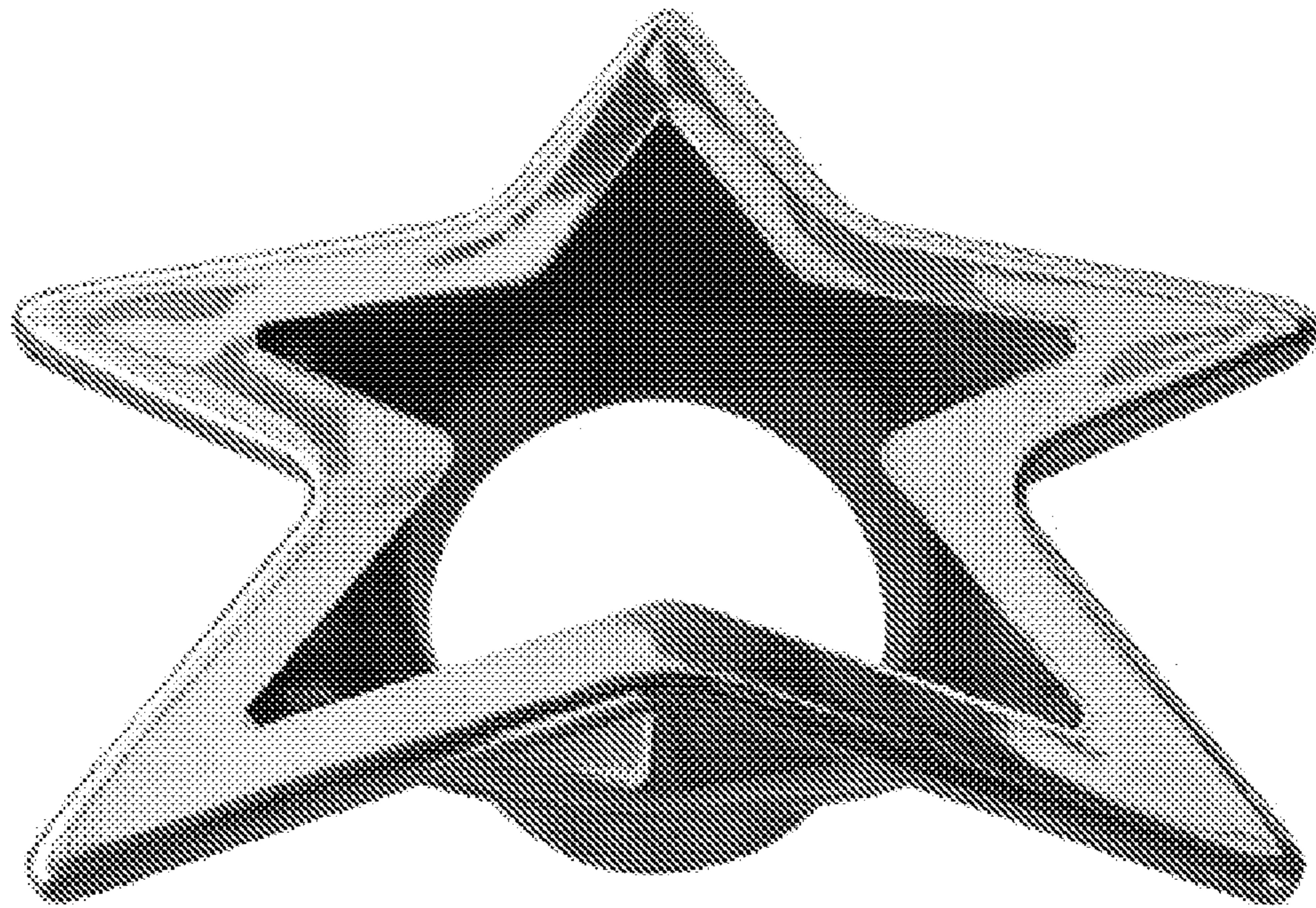


FIG. 1

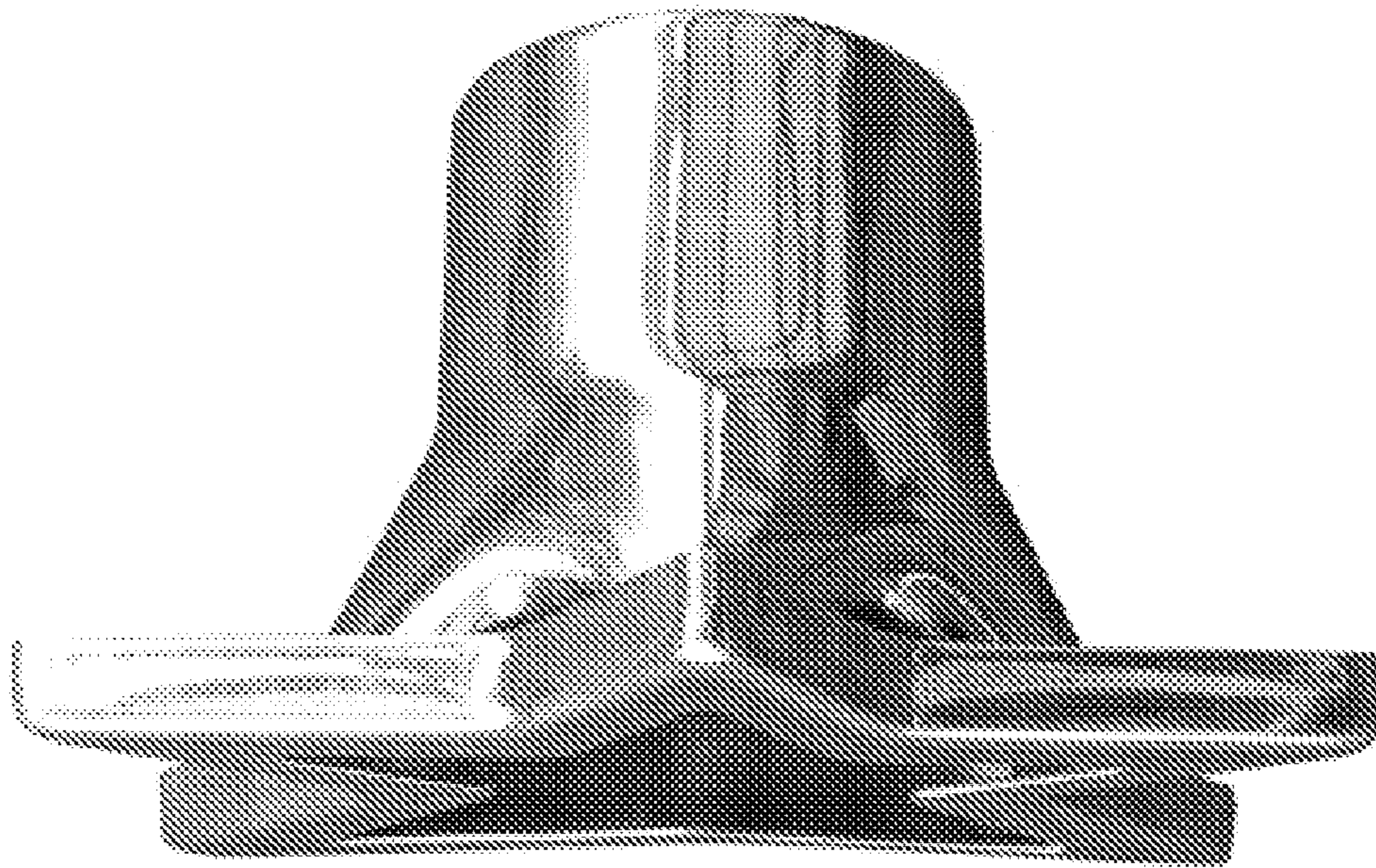


FIG. 2

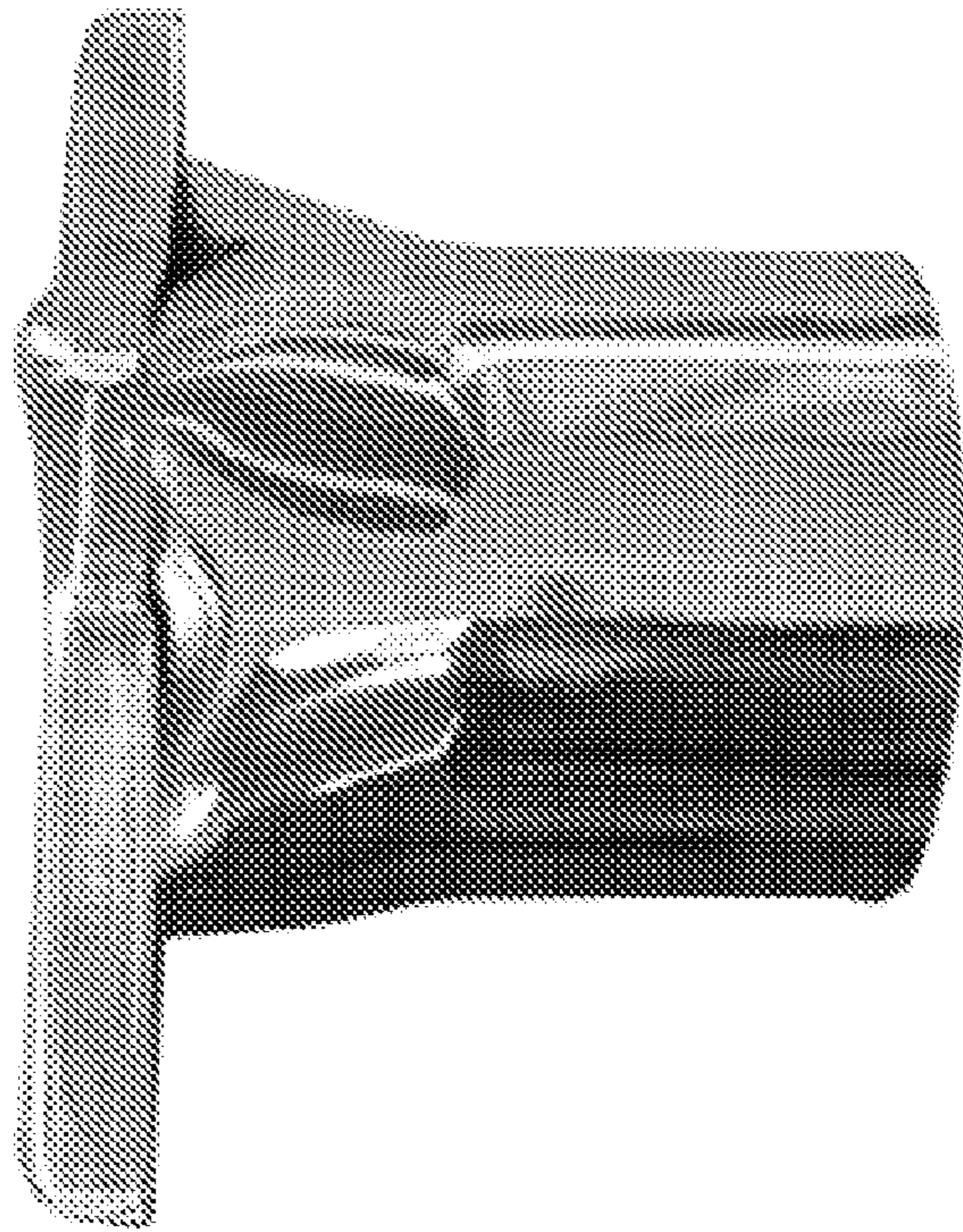


FIG.3

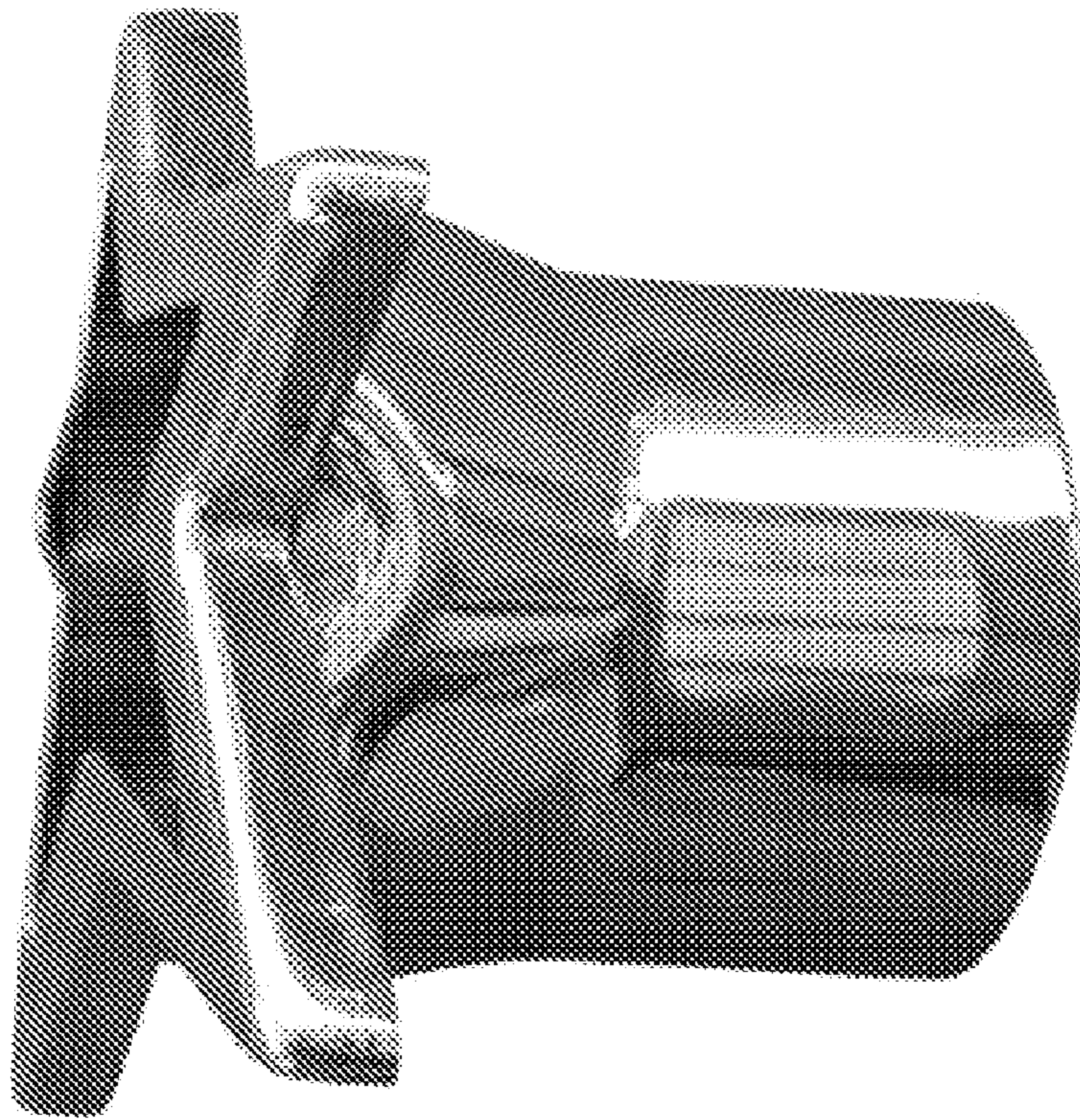


FIG. 4

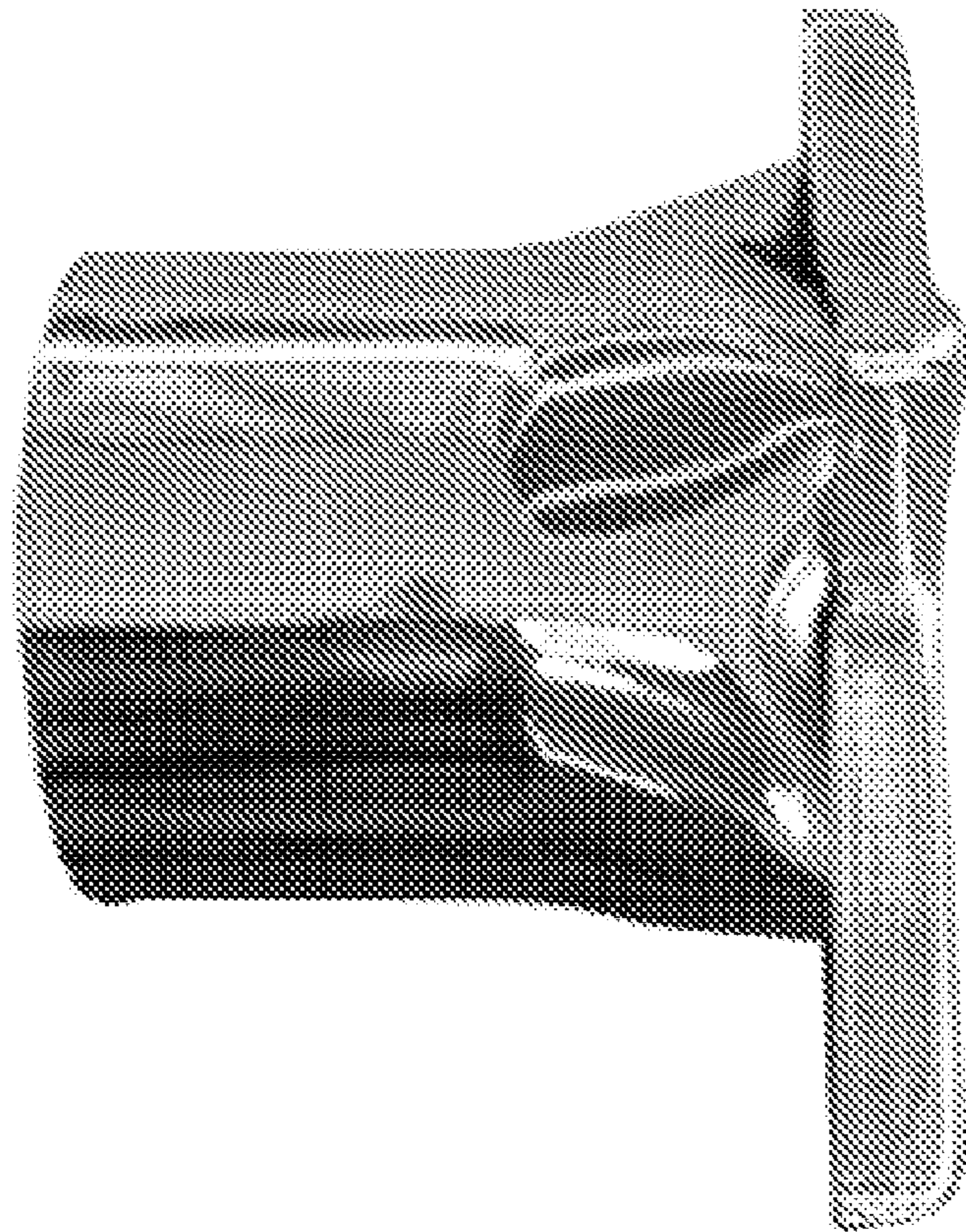


FIG. 5

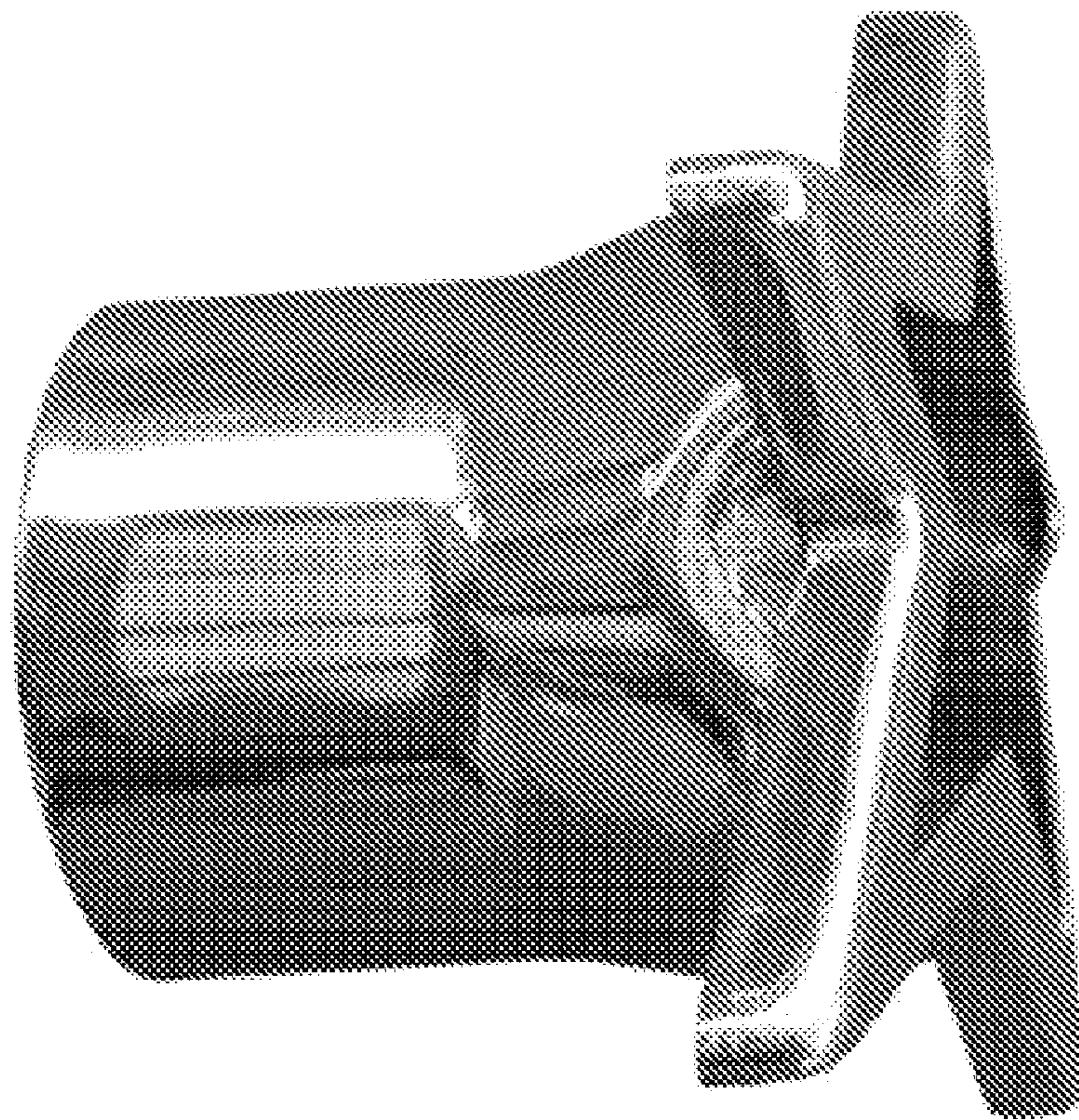


FIG. 6

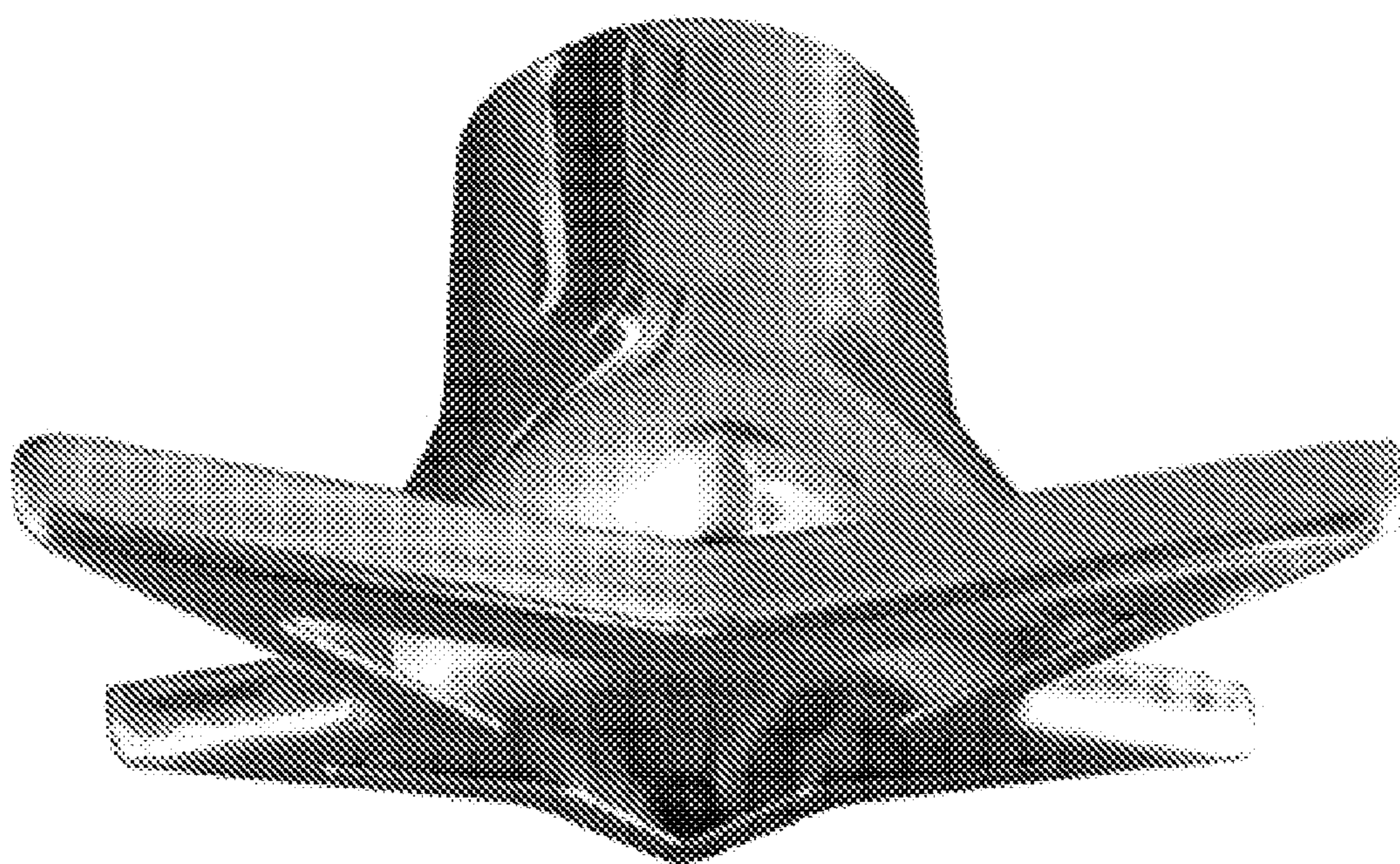


FIG. 7