



US00D621760S

(12) **United States Design Patent**
Wiedeman et al.

(10) **Patent No.:** **US D621,760 S**

(45) **Date of Patent:** **** Aug. 17, 2010**

(54) **PORTION OF A CENTER CONSOLE**

(75) Inventors: **Michael Eric Wiedeman**, San Pedro,
CA (US); **Cameron Dwight Mauldin**,
Torrance, CA (US)

(73) Assignee: **Honda Motor Co., Ltd.**, Tokyo (JP)

(**) Term: **14 Years**

(21) Appl. No.: **29/344,045**

(22) Filed: **Sep. 22, 2009**

Related U.S. Application Data

(63) Continuation of application No. 29/333,734, filed on
Mar. 13, 2009, and a continuation of application No.
29/335,040, filed on Apr. 7, 2009.

(51) **LOC (9) Cl.** **12-16**

(52) **U.S. Cl.** **D12/192; D12/415**

(58) **Field of Classification Search** D12/192,
D12/415; 180/190; 280/750-752; 296/190.01-190.09,
296/70; D15/17, 28; D10/46, 98, 102-103;
D23/327; D14/258

See application file for complete search history.

(56) **References Cited**

U.S. PATENT DOCUMENTS

D443,246 S * 6/2001 Smith D12/415
D449,026 S * 10/2001 Tsay et al. D12/192

D474,137 S * 5/2003 Wyszogrod D12/192
D503,367 S * 3/2005 Pfeiffer D12/192
D512,356 S * 12/2005 Pfeiffer D12/192
D528,485 S * 9/2006 Montijo et al. D12/192
D529,848 S * 10/2006 Shigehara et al. D12/192
D556,658 S * 12/2007 Kanda et al. D12/192
D558,109 S * 12/2007 Misugi et al. D12/192
D561,077 S * 2/2008 Kato D12/192
D571,270 S * 6/2008 Nakajima D12/192
D578,048 S * 10/2008 Wyszogrod D12/192
D586,278 S * 2/2009 Yu D12/192

* cited by examiner

Primary Examiner—Stacia Cadmus

(74) *Attorney, Agent, or Firm*—Plumsea Law Group, LLC;
Mark E. Duell

(57) **CLAIM**

The ornamental design for a portion of a center console, as
shown and described.

DESCRIPTION

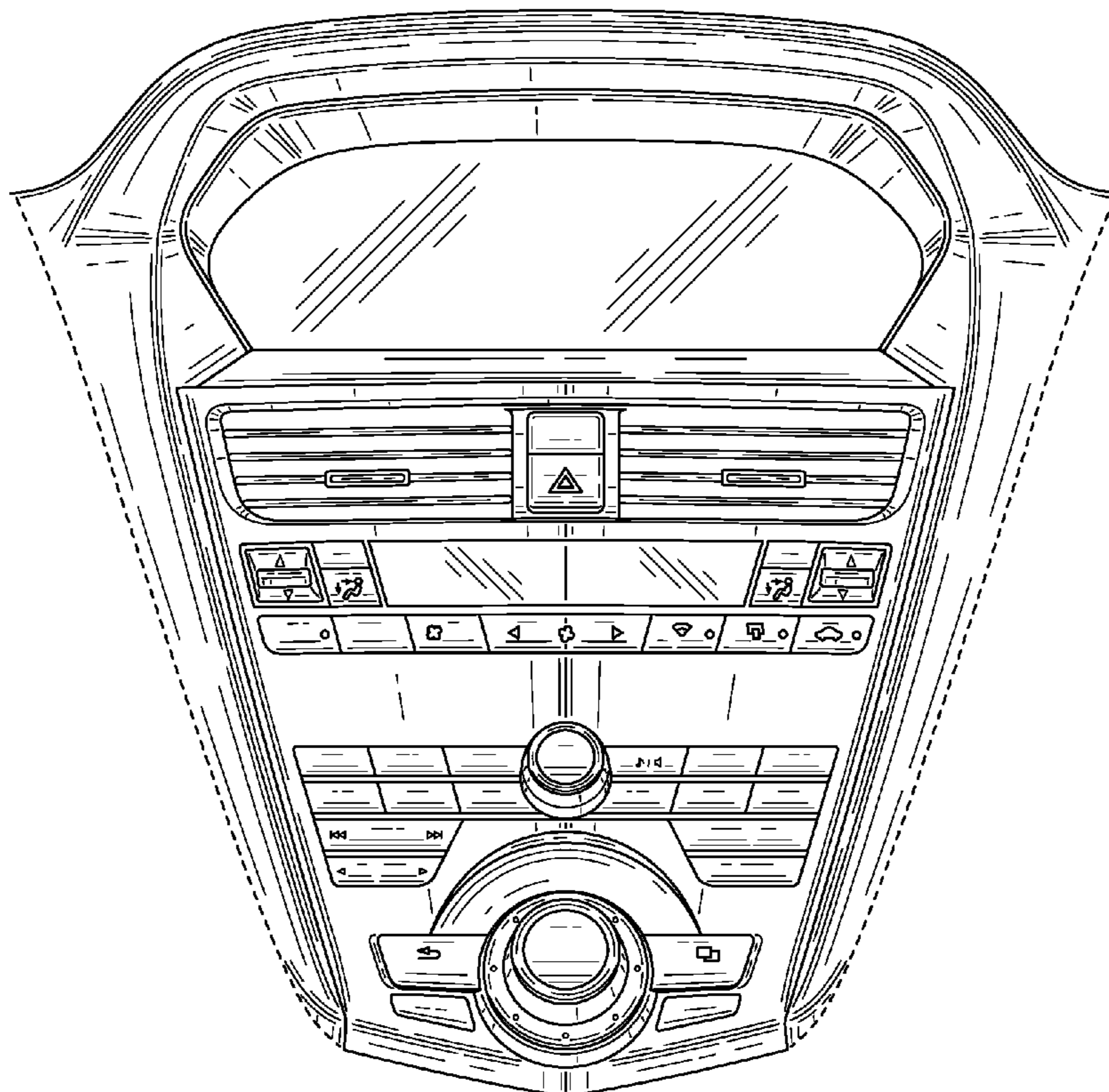
FIG. 1 is a perspective view of a vehicle center console
showing our new design viewed from one side thereof;

FIG. 2 is a perspective view viewed from the other side
thereof; and,

FIG. 3 is a front view thereof.

The broken line denotes a boundary of the claimed design and
forms no part thereof.

1 Claim, 3 Drawing Sheets



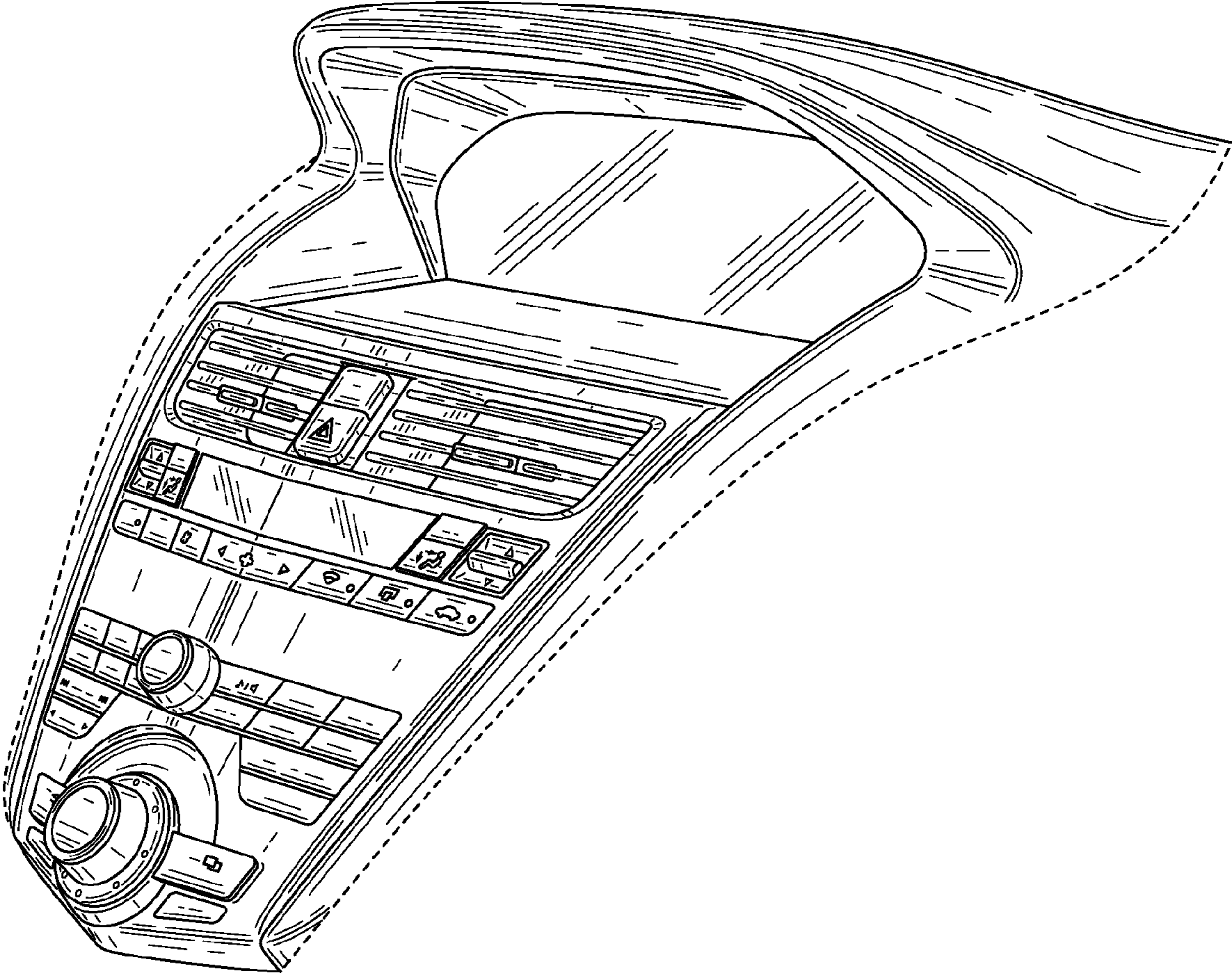


FIG. 1

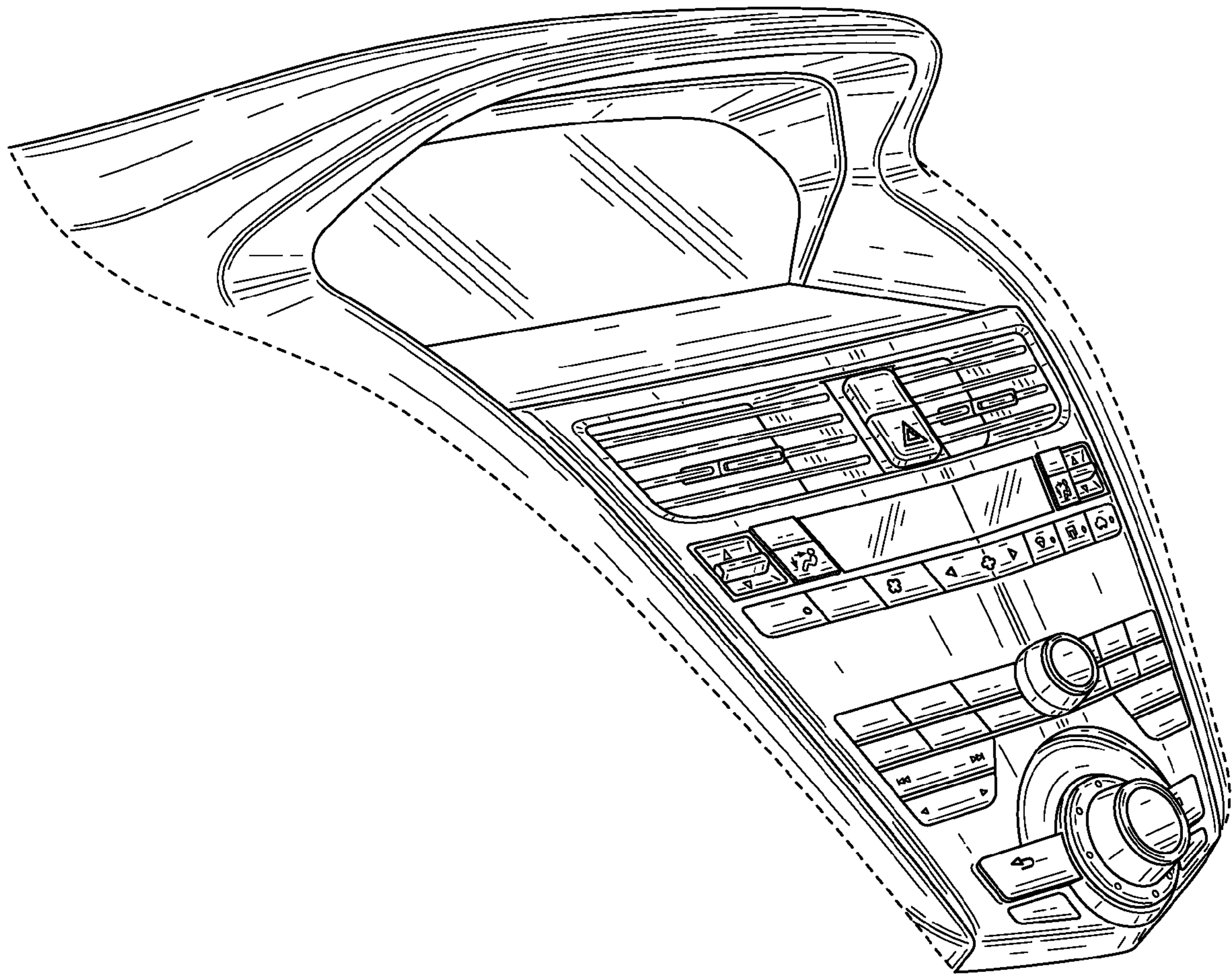


FIG. 2

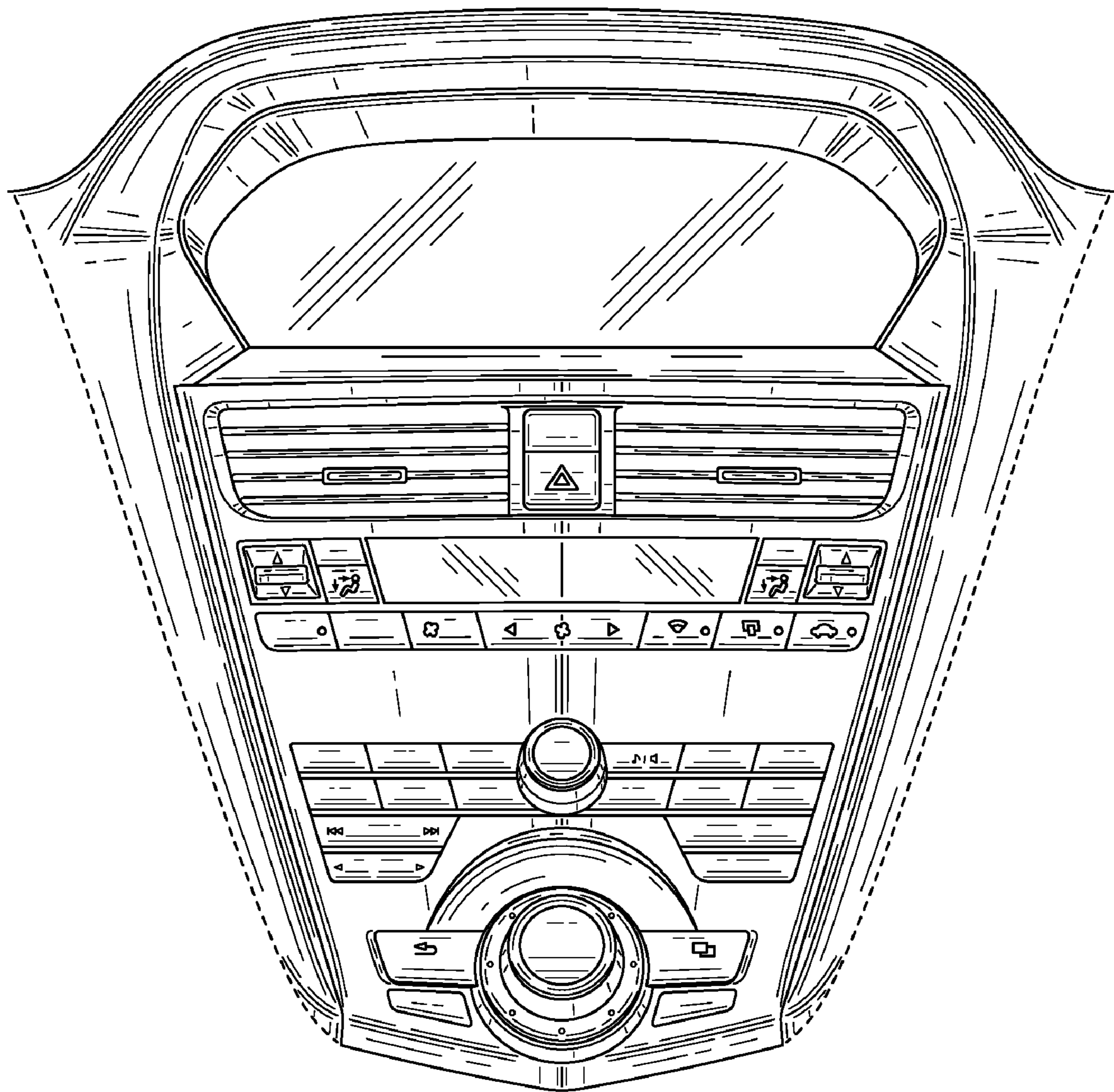


FIG. 3