



US00D621751S

(12) **United States Design Patent**
Rost, Jr.

(10) **Patent No.:** **US D621,751 S**

(45) **Date of Patent:** **** Aug. 17, 2010**

(54) **BICYCLE STORAGE RACK**

(75) Inventor: **Richard C. Rost, Jr.**, Englewood, CO
(US)

(73) Assignee: **Regional Transportation District**,
Denver, CO (US)

(**) Term: **14 Years**

(21) Appl. No.: **29/353,464**

(22) Filed: **Jan. 8, 2010**

(51) **LOC (9) Cl.** **12-11**

(52) **U.S. Cl.** **D12/115**

(58) **Field of Classification Search** D12/115,
D12/120; 211/5, 17-22, 112, 182, 241; 70/15,
70/233-236; D6/455, 458, 462; 248/121,
248/153, 302, 181.1; 135/87, 98, 99
See application file for complete search history.

(56) **References Cited**

U.S. PATENT DOCUMENTS

- 3,827,773 A * 8/1974 Aiello 312/100
- D234,924 S * 4/1975 Seiler D12/115
- 4,047,614 A * 9/1977 Radek 211/20
- 4,433,787 A * 2/1984 Cook et al. 211/5
- 4,830,167 A * 5/1989 Lassche 194/247

- D305,010 S * 12/1989 Rankin D12/115
- 5,743,411 A * 4/1998 Hawkes 211/20
- 5,984,111 A * 11/1999 Pennella 211/5
- 6,164,459 A * 12/2000 Liem 211/5
- 6,250,322 B1 * 6/2001 Porter 135/98
- D566,628 S * 4/2008 Steward D12/115
- D612,301 S * 3/2010 Porter et al. D12/115

* cited by examiner

Primary Examiner—Philip S Hyder

Assistant Examiner—Linda G. Brooks

(74) *Attorney, Agent, or Firm*—Sheridan Ross P.C.

(57) **CLAIM**

The ornamental design for a bicycle storage rack, as shown and described.

DESCRIPTION

FIG. 1 is a front perspective view of a bicycle storage rack;

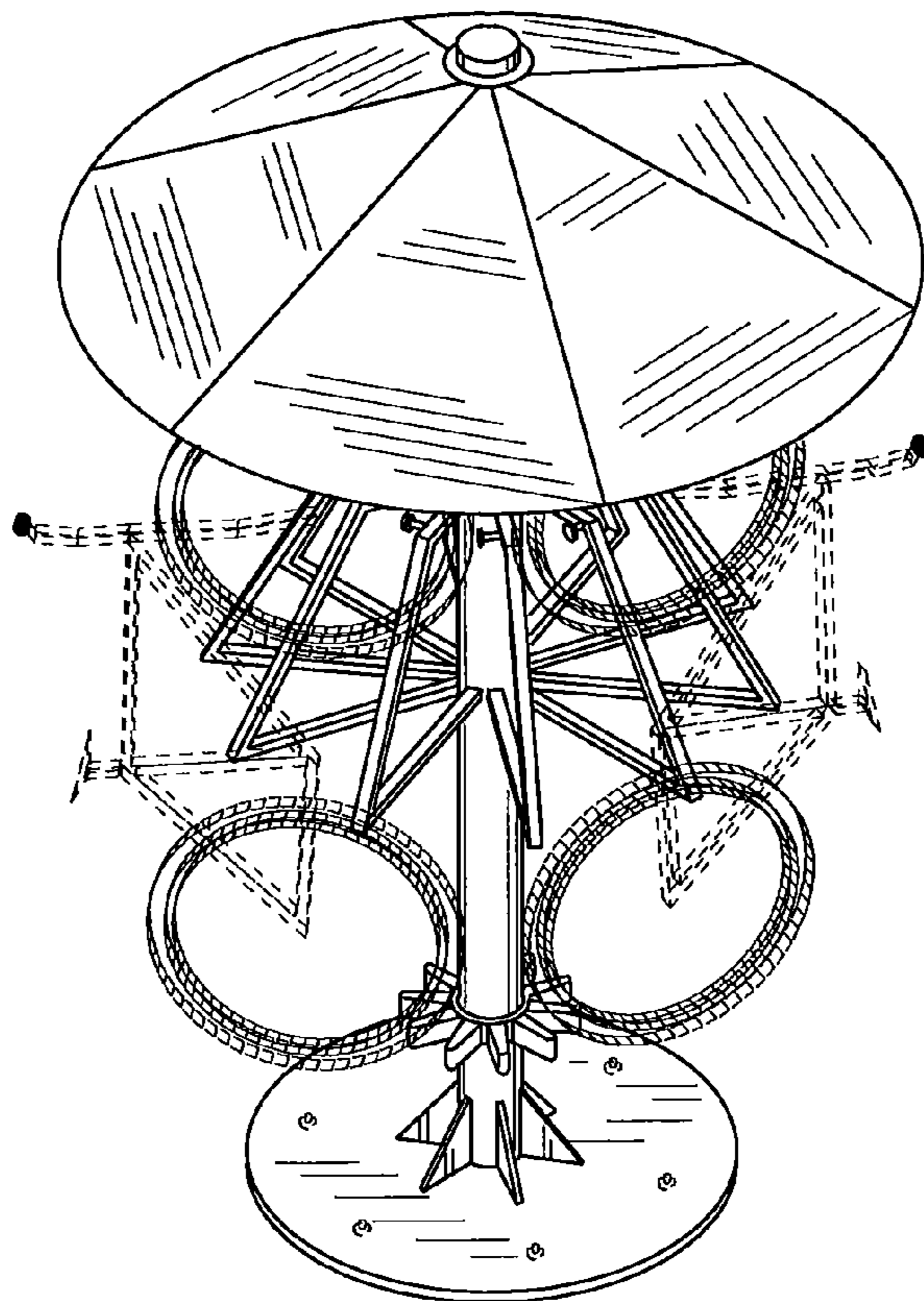
FIG. 2 is a front elevation view thereof;

FIG. 3 is a top plan view thereof; and,

FIG. 4 is a bottom plan view thereof.

The broken lines showing environment and portions of the bicycle storage rack and bicycles form no part of the claimed design.

1 Claim, 2 Drawing Sheets



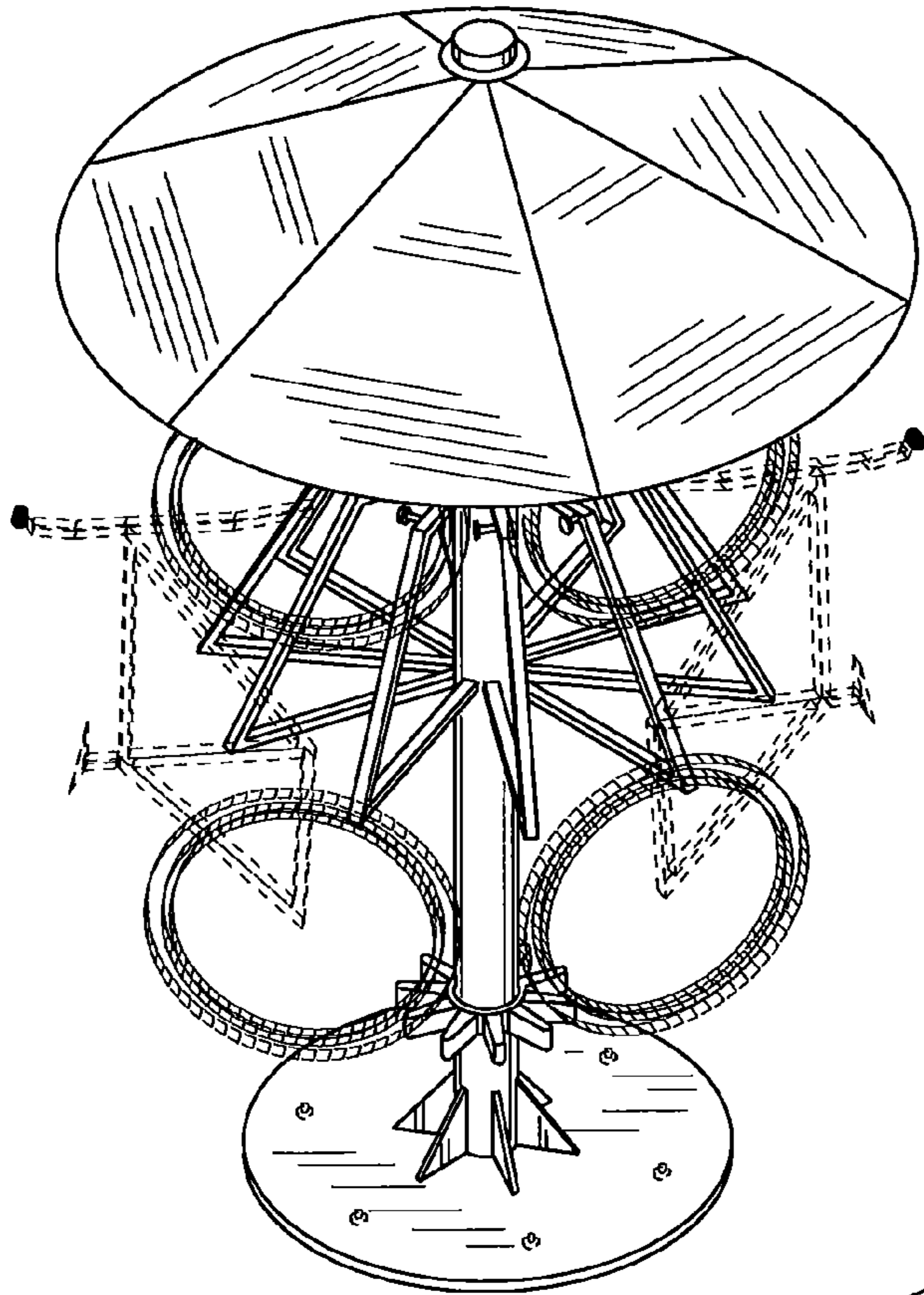


Fig. 1

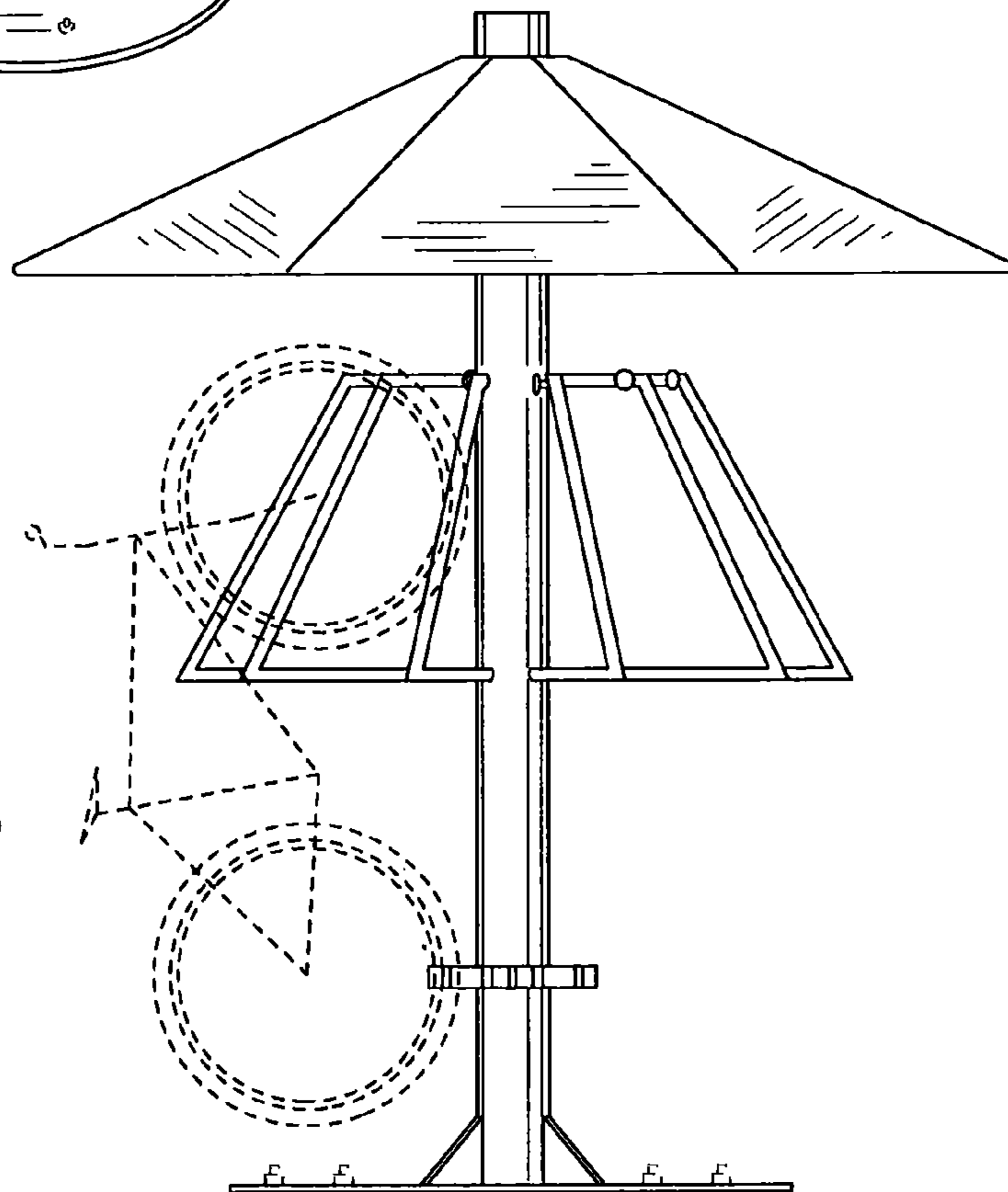


Fig. 2

Fig. 3

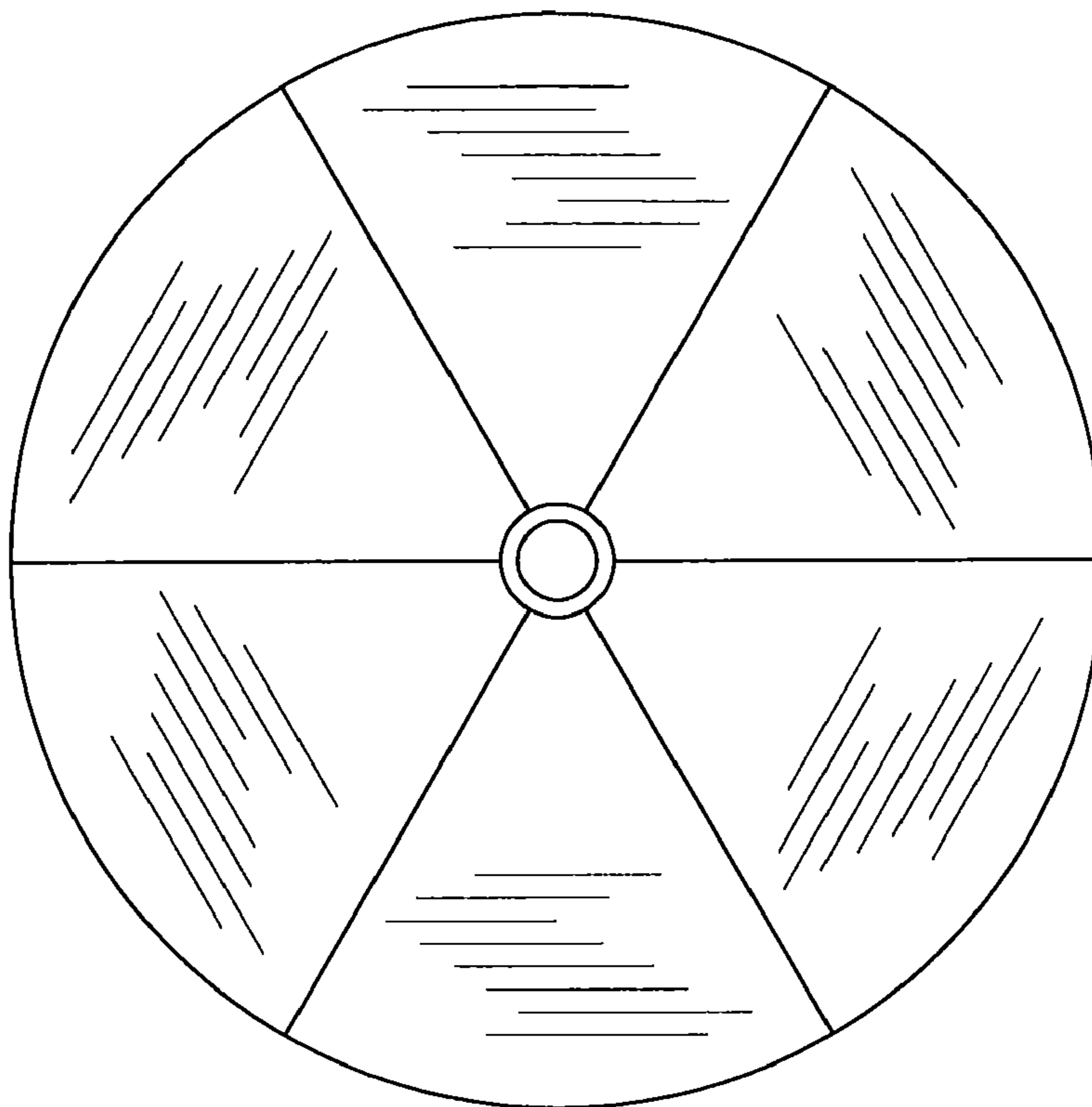


Fig. 4

