

US00D621746S

(12) **United States Design Patent**
Sun

(10) **Patent No.:** **US D621,746 S**

(45) **Date of Patent:** **** Aug. 17, 2010**

(54) **ELECTRIC VEHICLE**

(75) Inventor: **Hualei Sun**, Suzhou (CN)

(73) Assignee: **Suzhou Eagle Electric Vehicle Manufacturing Co., Ltd.**, Suzhou, Jiangsu Province (CN)

(**) Term: **14 Years**

(21) Appl. No.: **29/356,347**

(22) Filed: **Feb. 24, 2010**

(30) **Foreign Application Priority Data**

Sep. 29, 2009 (CN) 2009 3 0237437

(51) **LOC (9) Cl.** **12-01**

(52) **U.S. Cl.** **D12/1**

(58) **Field of Classification Search** D12/87, D12/86, 1, 433, 15, 16, 107, 82, 88, 89, 90, D12/91, 92, 93, 84, 100; D15/30; D21/803, D21/533-536, 540, 541; 180/233, 908; 280/DIG. 5, 280/183, 184, 185, 186, 28, 37.7
See application file for complete search history.

(56) **References Cited**

U.S. PATENT DOCUMENTS

D138,113 S * 6/1944 Baron D21/541
D197,965 S * 4/1964 Saporito et al. D12/84
D217,810 S * 6/1970 McGinnis D12/84
D250,611 S * 12/1978 Barlow et al. D21/540
D291,673 S * 9/1987 McFadden D12/84

D337,517 S * 7/1993 Hwang D9/677
D348,299 S * 6/1994 Mirabella et al. D21/833
D363,258 S * 10/1995 Calce D12/84
D378,905 S * 4/1997 Meister et al. D12/84
D442,118 S * 5/2001 Molzon et al. D12/1
D472,849 S * 4/2003 Adelizzi et al. D12/84
D610,037 S * 2/2010 Zhang et al. D12/1
D613,644 S * 4/2010 Zhang D12/1

* cited by examiner

Primary Examiner—T. Chase Nelson

Assistant Examiner—Ania K Dworzecka

(74) *Attorney, Agent, or Firm*—Cheng-Ju Chiang

(57) **CLAIM**

The ornamental design for an electric vehicle, as shown and described.

DESCRIPTION

FIG. 1 is a front perspective view of an electric vehicle showing my new design;

FIG. 2 is a front elevation view thereof;

FIG. 3 is a rear elevation view thereof;

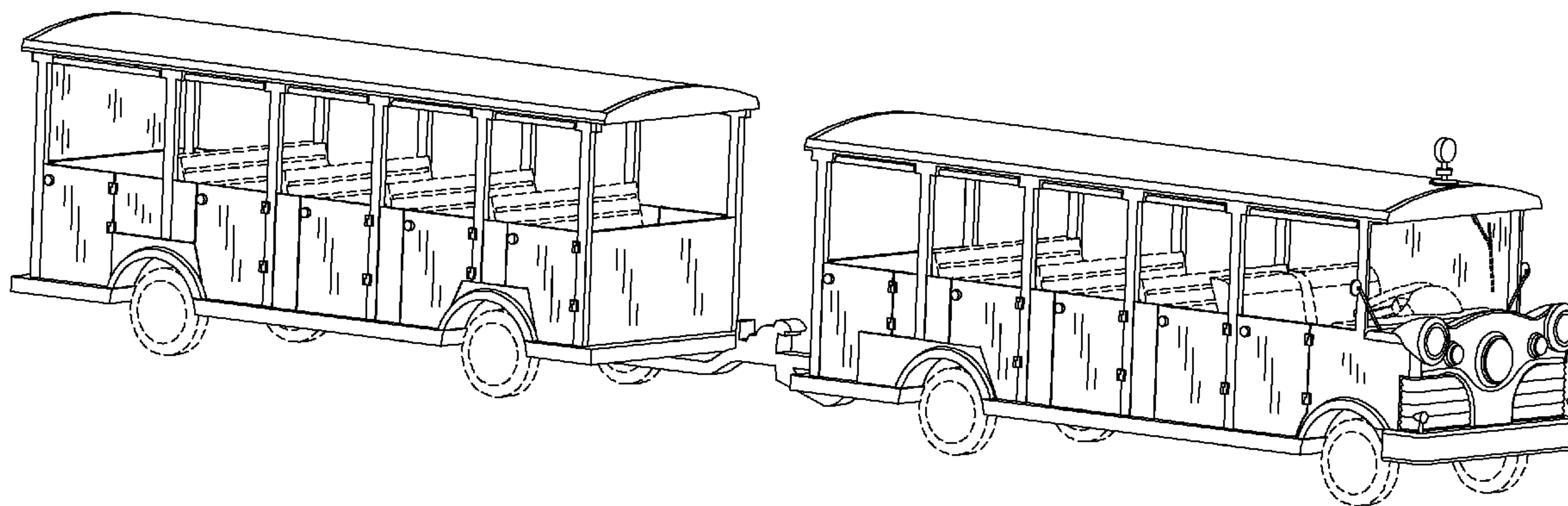
FIG. 4 is a left side elevation view thereof;

FIG. 5 is a right side elevation view thereof; and,

FIG. 6 is a top plan view thereof.

The broken lines showing of elements in the figures are for the purpose of illustrating environment and form no part of the claimed design.

1 Claim, 5 Drawing Sheets



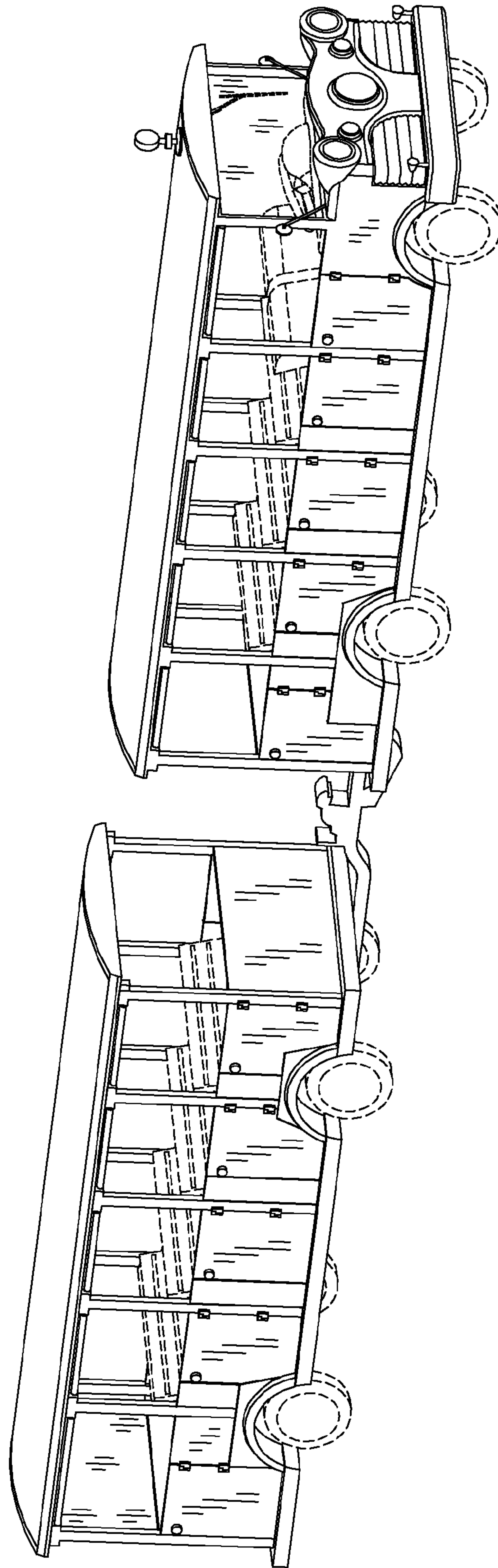


FIG. 1

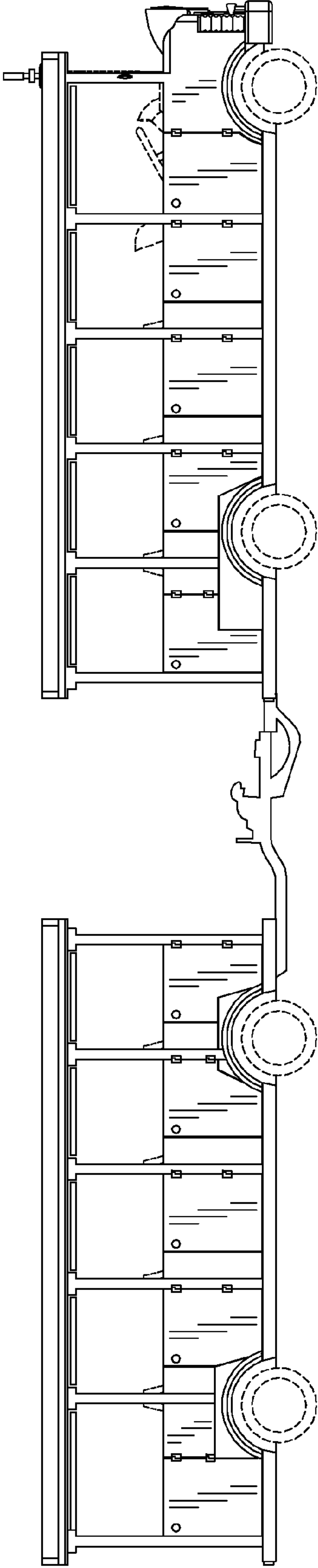


FIG. 2

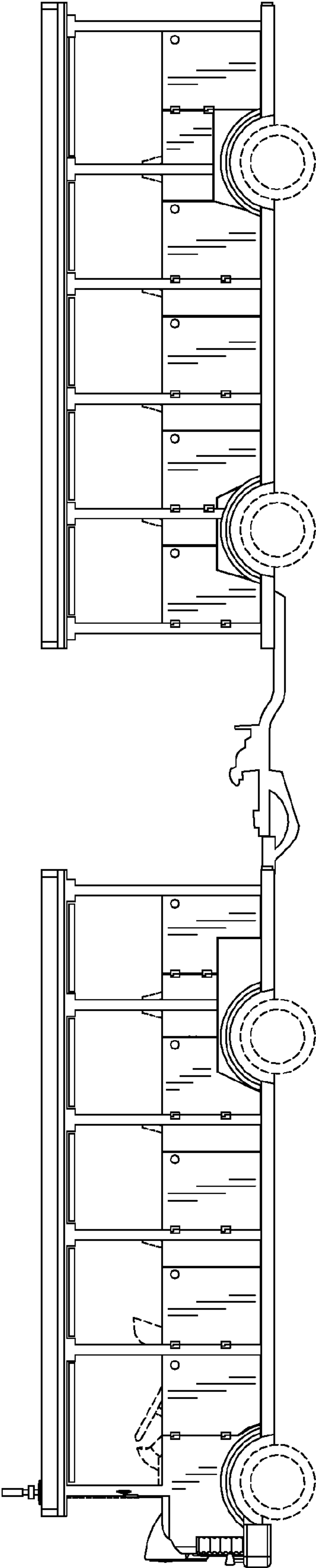


FIG. 3

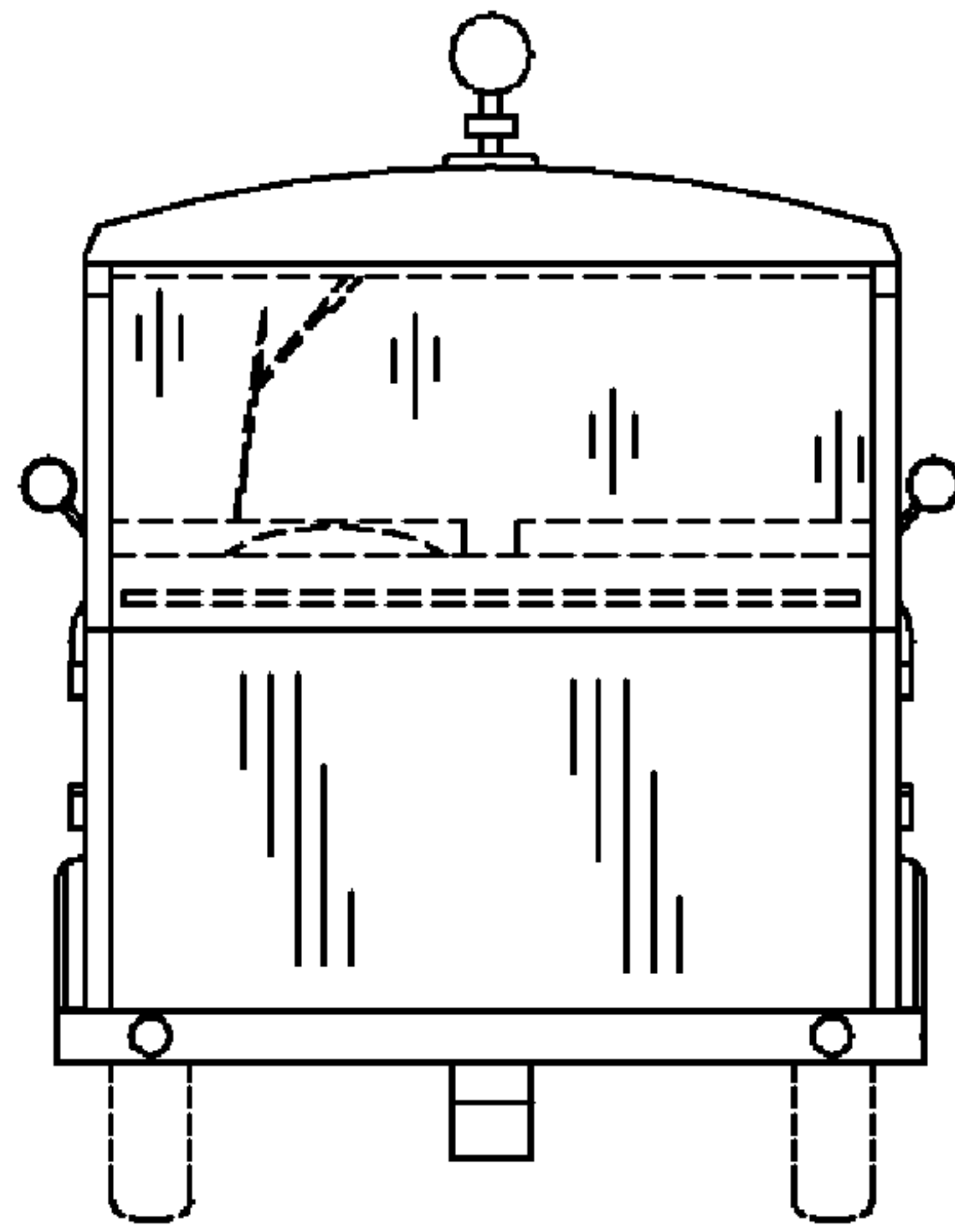


FIG. 4

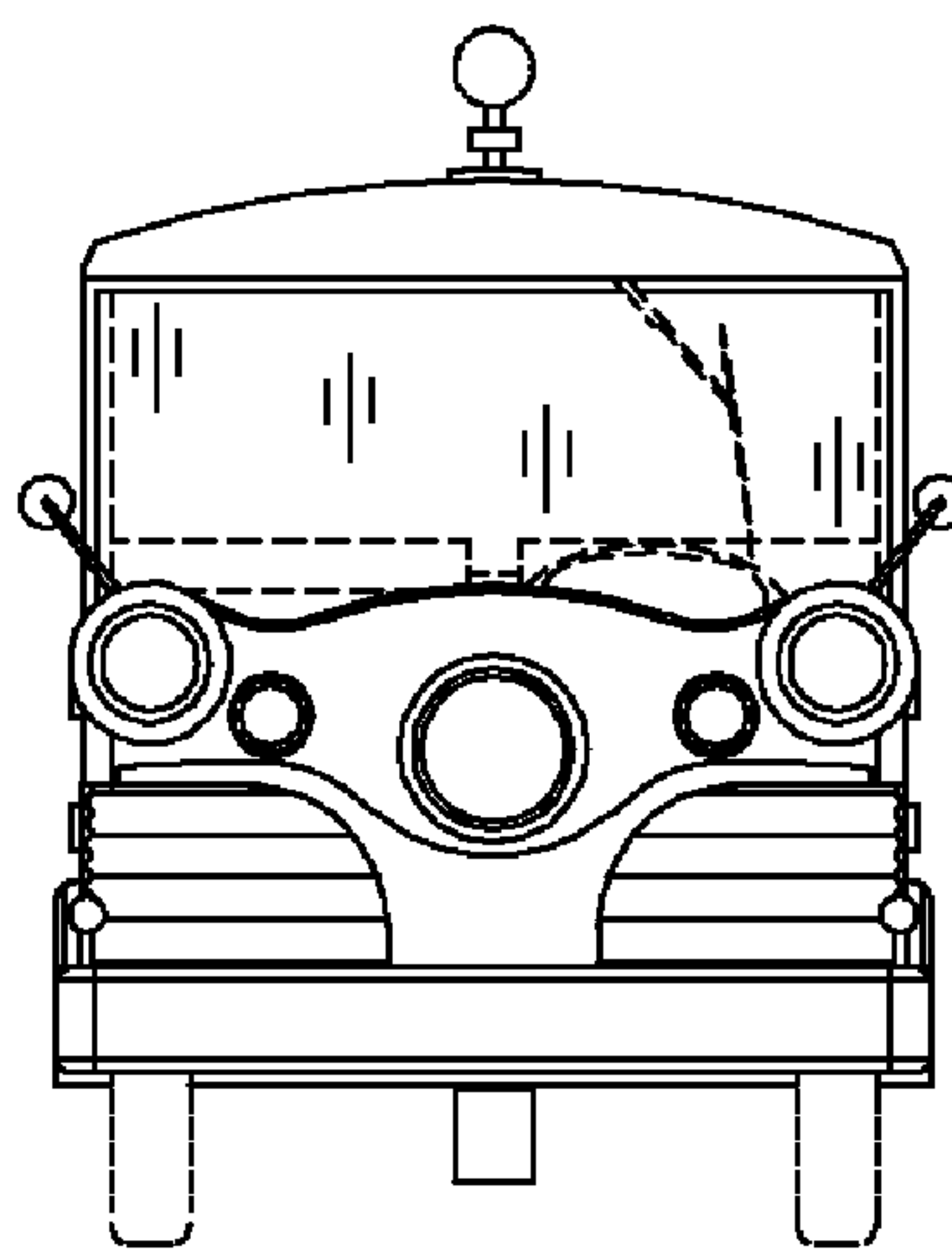


FIG. 5

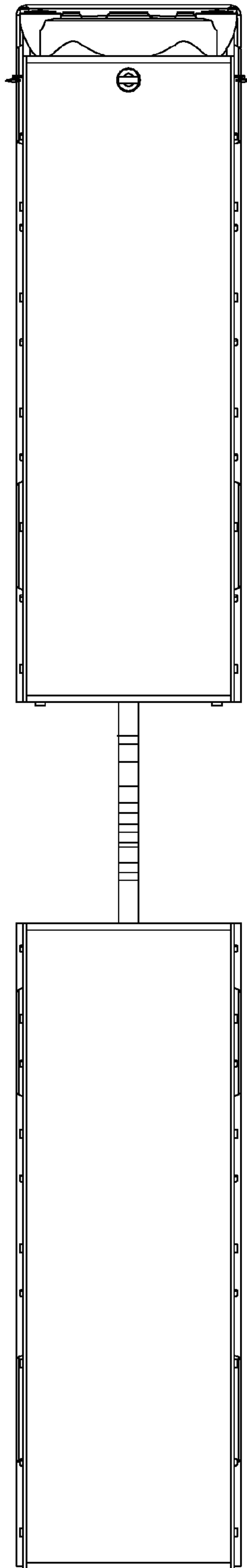


FIG. 6