



US00D621745S

(12) **United States Design Patent**  
**Mouquet**

(10) **Patent No.:** **US D621,745 S**

(45) **Date of Patent:** **\*\* Aug. 17, 2010**

(54) **BUCKLE**

D451,843 S \* 12/2001 Gruosi ..... D11/231

(75) Inventor: **Philippe Mouquet**, Paris (FR)

\* cited by examiner

(73) Assignee: **Hermes Sellier (Societe Par Actions Simpliffee)**, Paris (FR)

*Primary Examiner*—Catherine R Oliver  
(74) *Attorney, Agent, or Firm*—Foley & Lardner LLP

(\*\*) Term: **14 Years**

(57) **CLAIM**

(21) Appl. No.: **29/343,170**

The ornamental design for a buckle, as shown and described.

(22) Filed: **Sep. 9, 2009**

**DESCRIPTION**

(30) **Foreign Application Priority Data**

Mar. 13, 2009 (WO) ..... DM/071 467

FIG. 1 is a top front perspective view of a buckle according to my new design;

(51) **LOC (9) Cl.** ..... **02-07**

FIG. 2 is a front elevation view of the buckle shown in FIG. 1;

(52) **U.S. Cl.** ..... **D11/231**

FIG. 3 is a rear elevation view of the buckle shown in FIG. 1;

(58) **Field of Classification Search** ..... D11/200–238,  
D11/1–10, 40, 42, 61, 79, 81; 24/31 R, 32,  
24/163 R, 198–199; D2/627–629

FIG. 4 is a right side view of the buckle shown in FIG. 1;

FIG. 5 is a left side view of the buckle shown in FIG. 1;

See application file for complete search history.

FIG. 6 is a top plan view of the buckle shown in FIG. 1; and,

FIG. 7 is a bottom plan view of the buckle shown in FIG. 1.

The ornamental design which is claimed is shown in solid lines in the drawings.

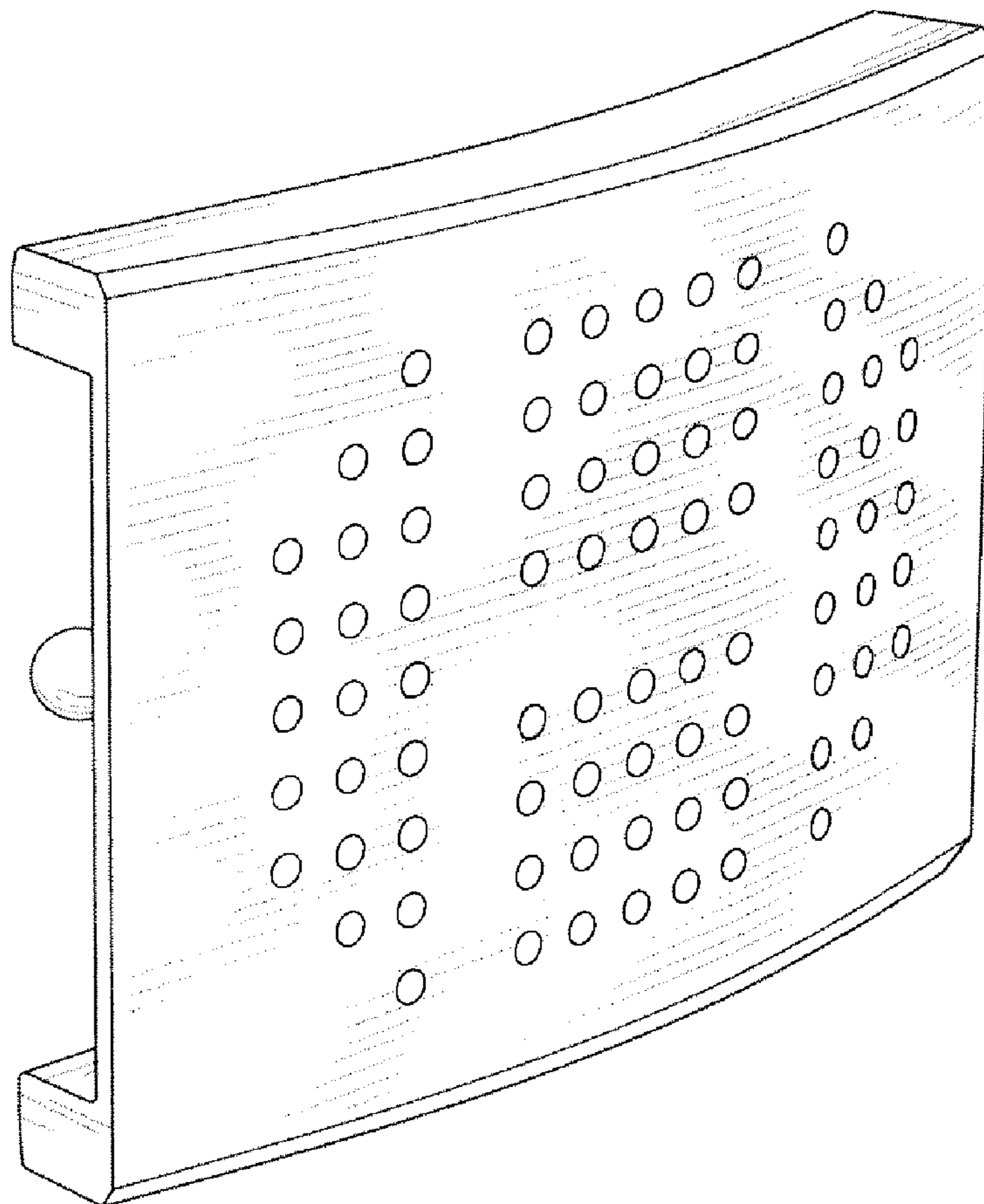
(56) **References Cited**

**U.S. PATENT DOCUMENTS**

D106,784 S \* 11/1937 Doree ..... D11/218

D301,702 S \* 6/1989 Peterson ..... D11/230

**1 Claim, 3 Drawing Sheets**



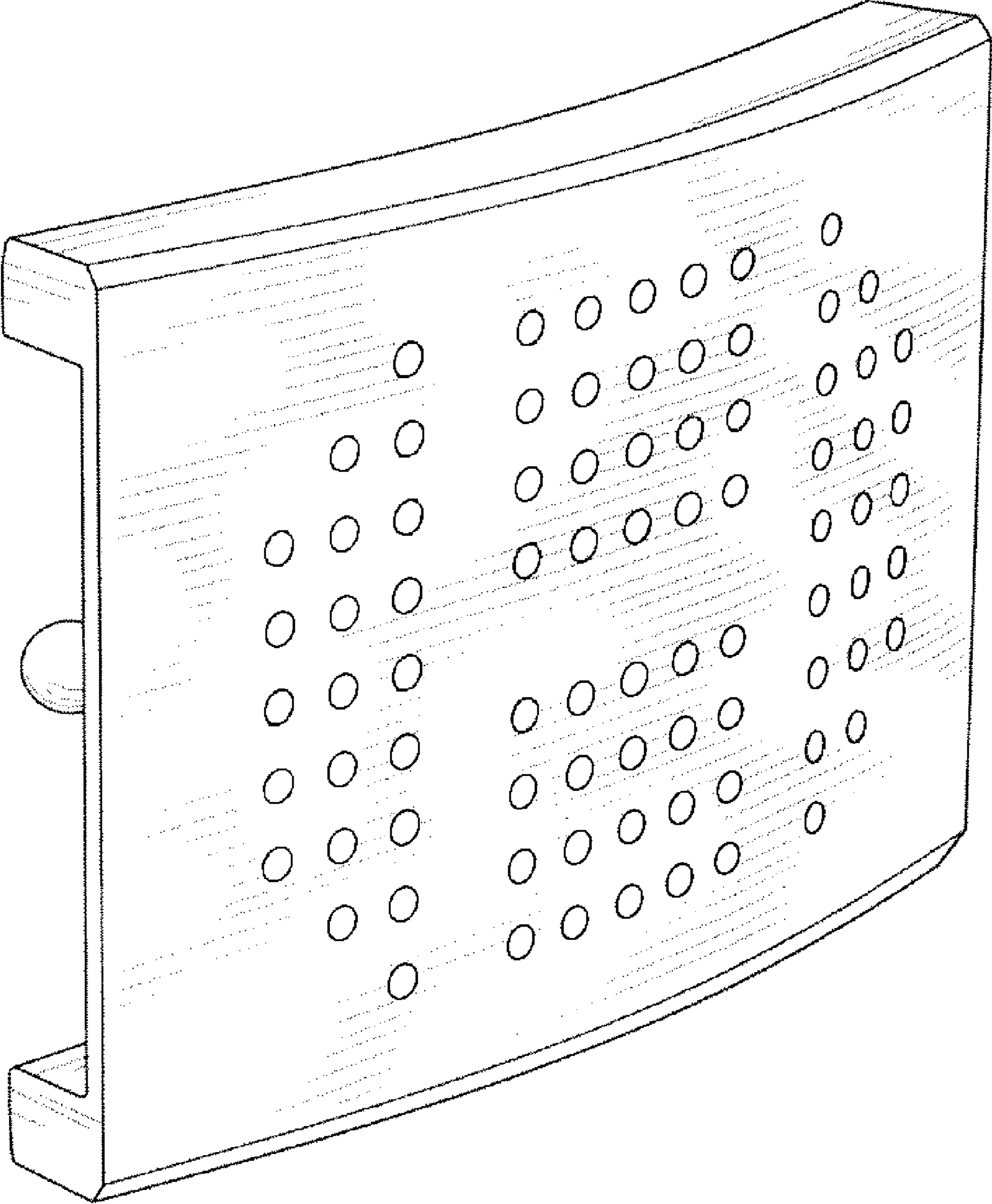


FIG. 1

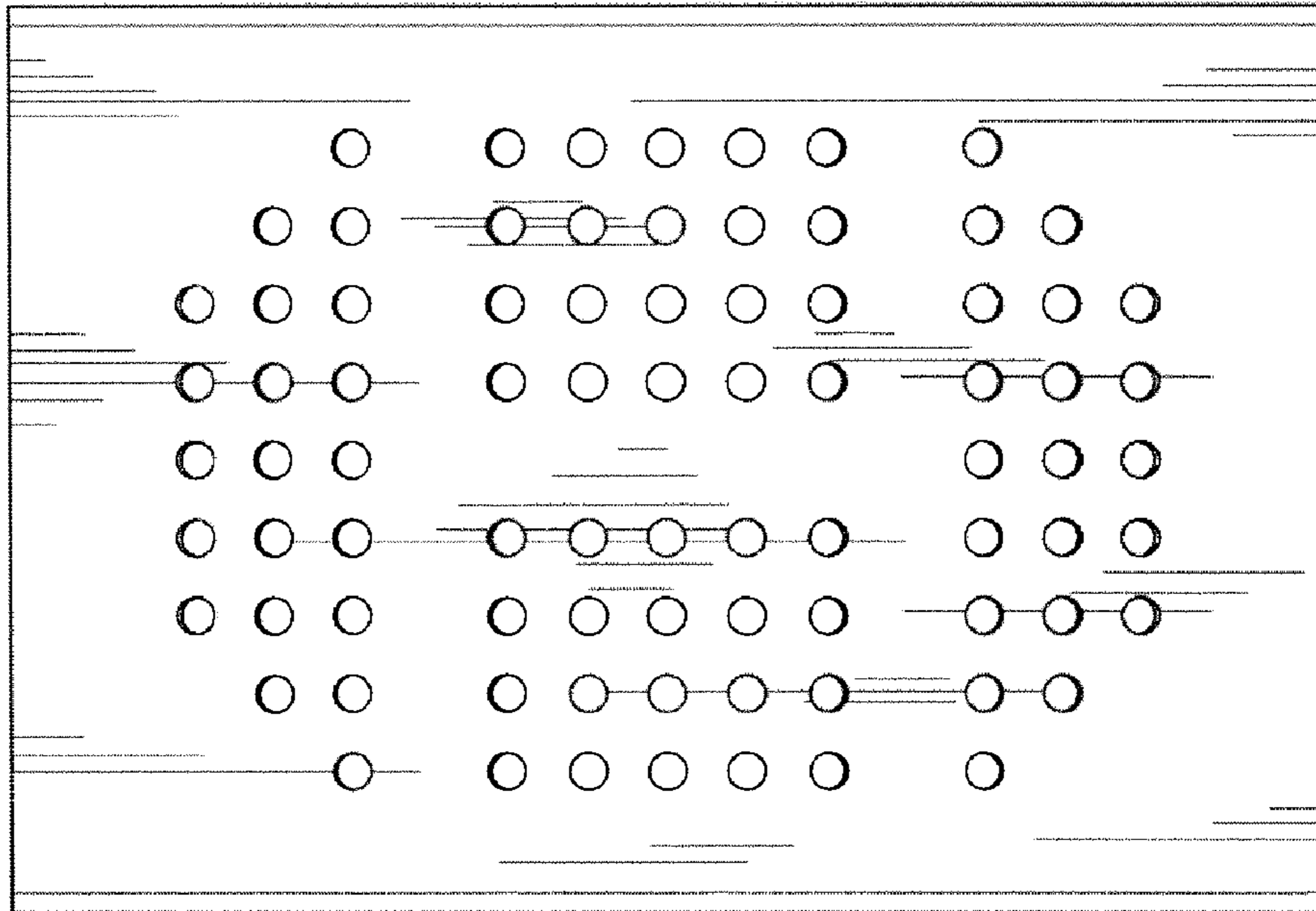


FIG. 2

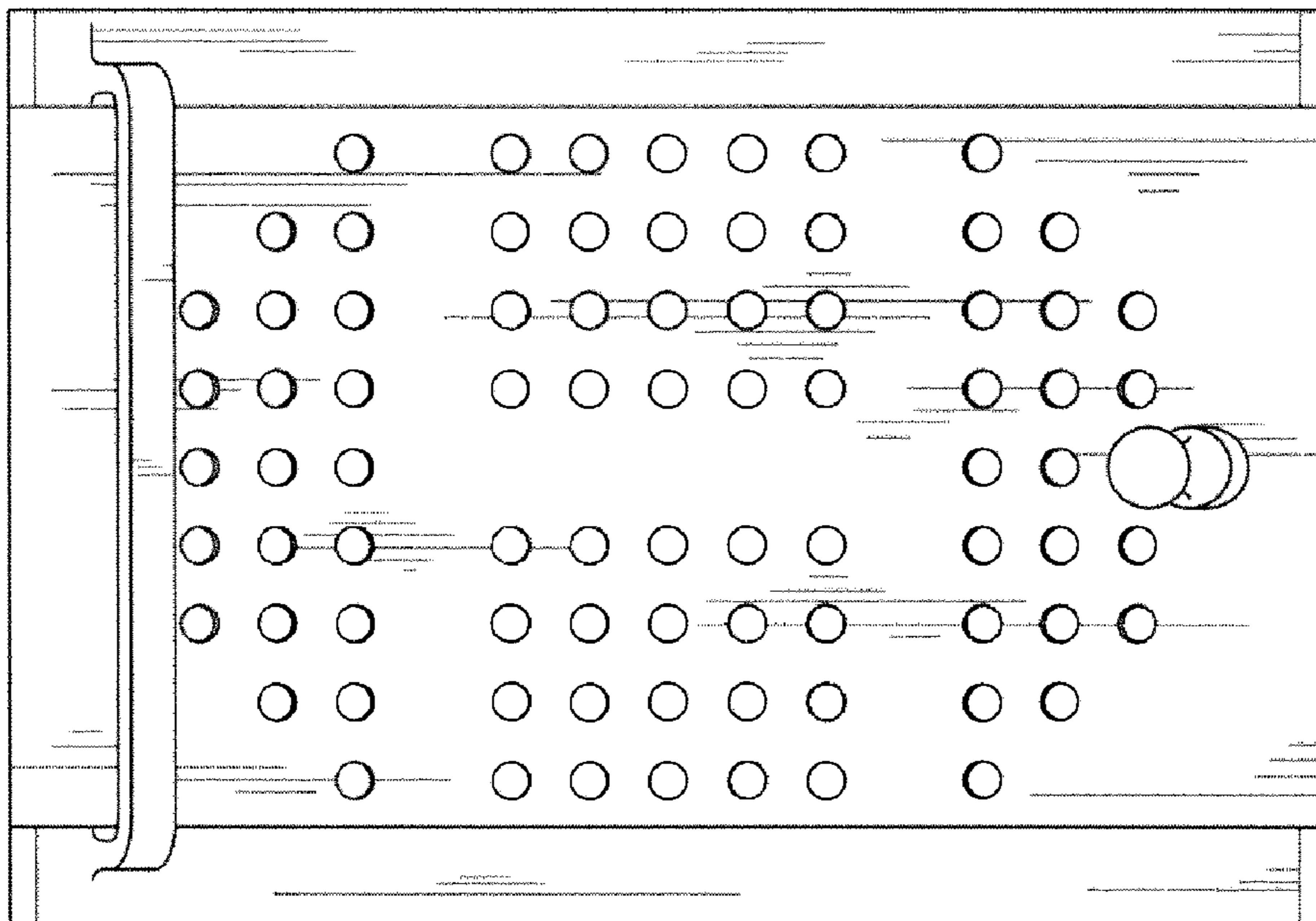


FIG. 3

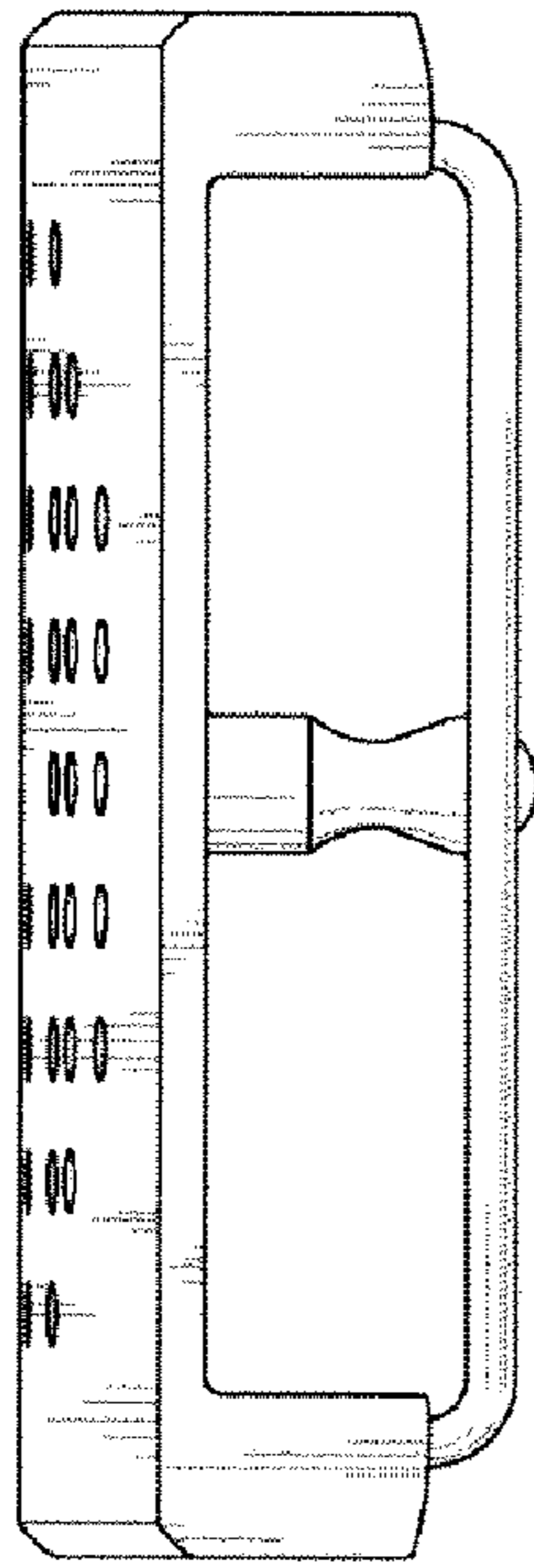


FIG. 4

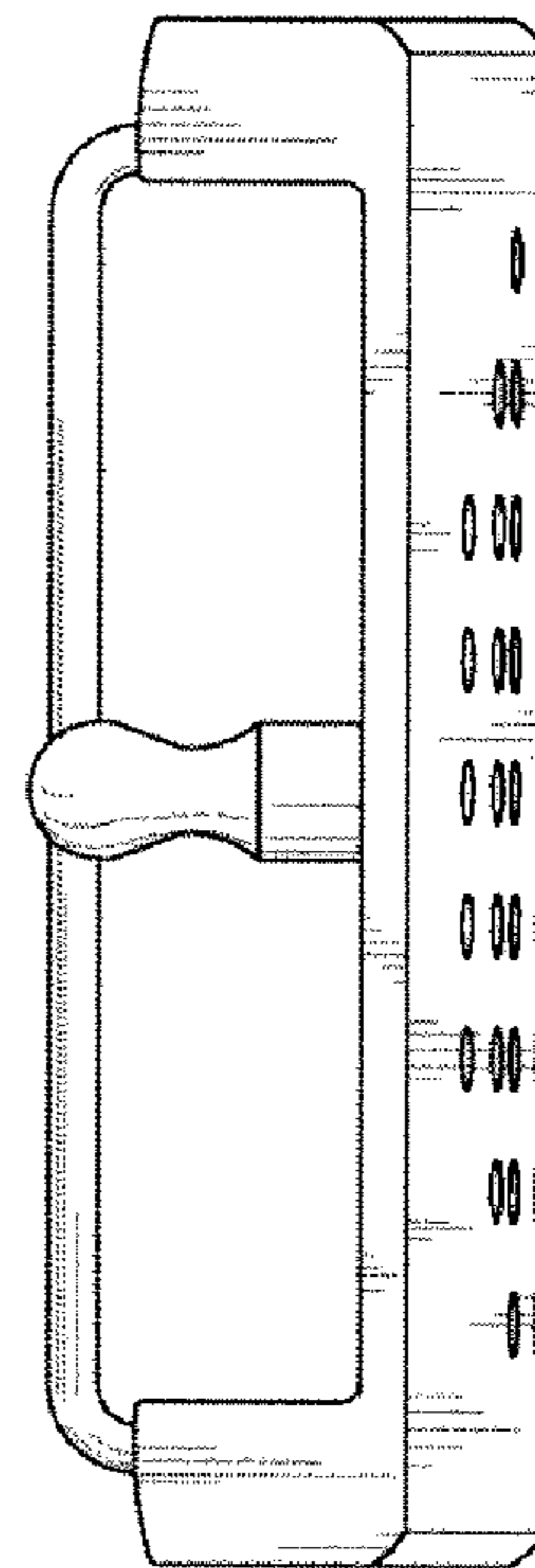


FIG. 5



FIG. 6



FIG. 7