



US00D621744S

(12) **United States Design Patent**
Hortnagl

(10) **Patent No.:** **US D621,744 S**
(45) **Date of Patent:** **** Aug. 17, 2010**

(54) **BUCKLE**

(75) Inventor: **Andreas Hortnagl**, Fulpmes (AT)

(73) Assignee: **ABA Hortnagl KG Werkzeuge --
Vorrichtungen**, Fulpmes (AT)

(**) Term: **14 Years**

(21) Appl. No.: **29/353,443**

(22) Filed: **Jan. 8, 2010**

(30) **Foreign Application Priority Data**

Jul. 31, 2009	(EP)	001156301-0001
Jul. 31, 2009	(EP)	001156301-0002
Jul. 31, 2009	(EP)	001156301-0003
Jul. 31, 2009	(EP)	001156301-0004
Jul. 31, 2009	(EP)	001156301-0005
Jul. 31, 2009	(EP)	001156301-0006

(51) **LOC (9) Cl.** **02-07**

(52) **U.S. Cl.** **D11/218**

(58) **Field of Classification Search** D11/1-2,
D11/200-201, 203-206, 210, 212, 214-219,
D11/222, 224, 226; 24/163 R, 169-171,
24/173, 177-179, 191, 194-195, 197, 200
See application file for complete search history.

(56) **References Cited**

U.S. PATENT DOCUMENTS

D241,089 S *	8/1976	Stafstrom	D11/210
4,473,926 A	10/1984	Ono		
D360,390 S *	7/1995	Murai	D11/216
5,472,234 A	12/1995	Chang		
7,350,277 B1	4/2008	Canfield et al.		
2002/0184742 A1	12/2002	Casebolt et al.		
2006/0048350 A1	3/2006	Coulombe et al.		

FOREIGN PATENT DOCUMENTS

AU	30813	6/1998
AU	30814	6/1998
AU	30815	6/1998
AU	31486	8/1998

AU	31487	8/1998
AU	31488	8/1998
DE	6608511	9/1971
DE	2323870	11/1974
DE	3216075	11/1983
DE	3934300	4/1990
DM	045484	* 10/2008
EM	000565155-0001	7/2006
EM	000565155-0002	7/2006
EM	000565155-0003	7/2006
EM	000565155-0004	7/2006
EM	000565155-0005	7/2006
EM	000565155-0006	7/2006
EM	000565155-0007	7/2006
GB	284497	2/1928
WO	2008045695	4/2008

OTHER PUBLICATIONS

Click Buckle, Feb. 4, 2009, detected in internet: ><http://www.austriapin.com/03-austriapin/bilder/pdfprod/cobra.pdf>>, the whole document.

Buckle Click, Fix, Feb. 4, 2009, detected in internet: ><http://www.stubai-bergsport.com-->products-->aviation>>, the whole document.
Buckles (date unknown).

* cited by examiner

Primary Examiner—Ralf Seifert

(74) *Attorney, Agent, or Firm*—Volpe and Koenig, P.C.

(57) **CLAIM**

The ornamental design for a buckle, as shown and described.

DESCRIPTION

FIG. 1 is a front view of a first embodiment of a buckle according to my design;

FIG. 2 is a back view thereof;

FIG. 3 is a right side elevational view thereof;

FIG. 4 is a left side elevational view thereof;

FIG. 5 is a bottom view thereof;

FIG. 6 is a top view thereof; and

FIG. 7 is a perspective view thereof;

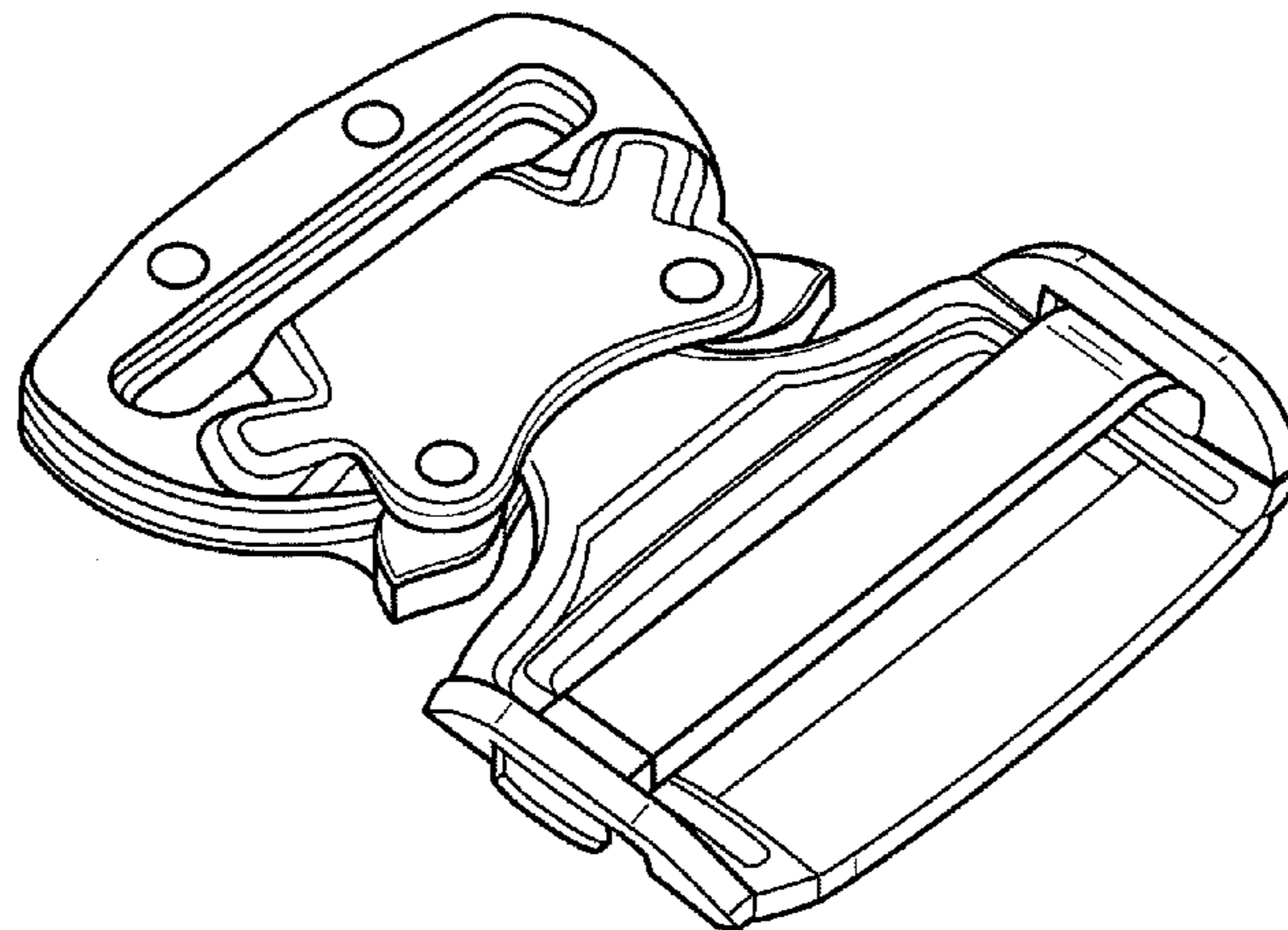


FIG. 8 is a front view of a male part of the buckle of FIG. 1, shown alone;

FIG. 9 is a back view thereof;

FIG. 10 is a right side elevational view thereof;

FIG. 11 is a left side elevational view thereof;

FIG. 12 is a bottom view thereof;

FIG. 13 is a top view thereof; and

FIG. 14 is a perspective view thereof;

FIG. 15 is a front view of the female part of the buckle of FIG. 1, shown alone;

FIG. 16 is a back view thereof;

FIG. 17 is a right side elevational view thereof;

FIG. 18 is a left side elevational view thereof;

FIG. 19 is a bottom view thereof;

FIG. 20 is a top view thereof; and

FIG. 21 is a perspective view thereof;

FIG. 22 is a front view of a second embodiment of a buckle according to my design;

FIG. 23 is a back view thereof;

FIG. 24 is a right side elevational view thereof;

FIG. 25 is a left side elevational view thereof;

FIG. 26 is a bottom view thereof;

FIG. 27 is a top view thereof; and

FIG. 28 is a perspective view thereof;

FIG. 29 is a front view of a male part of the buckle of FIG. 22, shown alone;

FIG. 30 is a back view thereof;

FIG. 31 is a right side elevational view thereof;

FIG. 32 is a left side elevational view thereof;

FIG. 33 is a bottom view thereof;

FIG. 34 is a top view thereof; and

FIG. 35 is a perspective view thereof;

FIG. 36 is a front view of the female part of the buckle of FIG. 22, shown alone;

FIG. 37 is a back view thereof;

FIG. 38 is a right side elevational view thereof;

FIG. 39 is a left side elevational view thereof;

FIG. 40 is a bottom view thereof;

FIG. 41 is a top view thereof; and

FIG. 42 is a perspective view thereof.

1 Claim, 8 Drawing Sheets

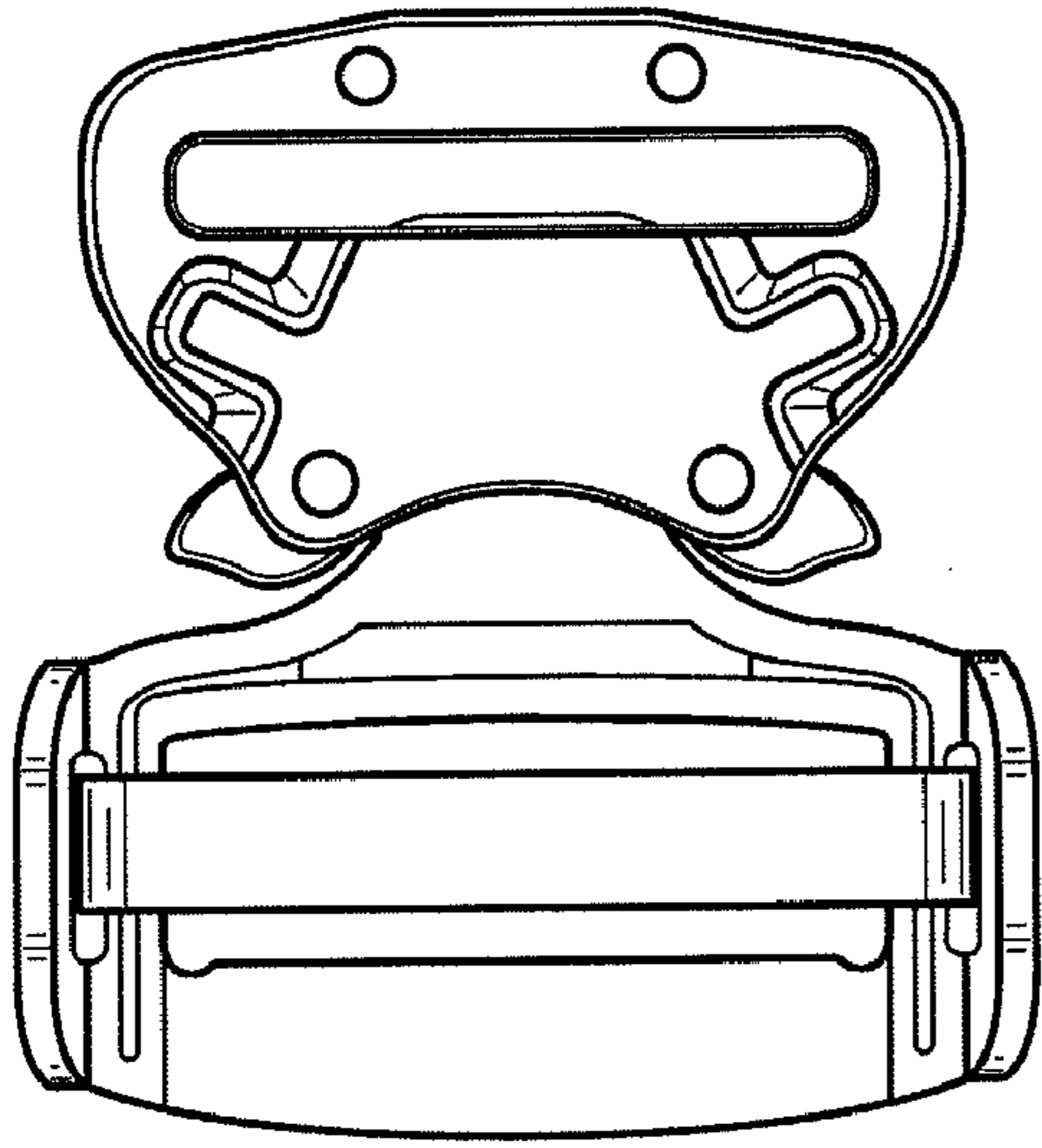


FIG. 1

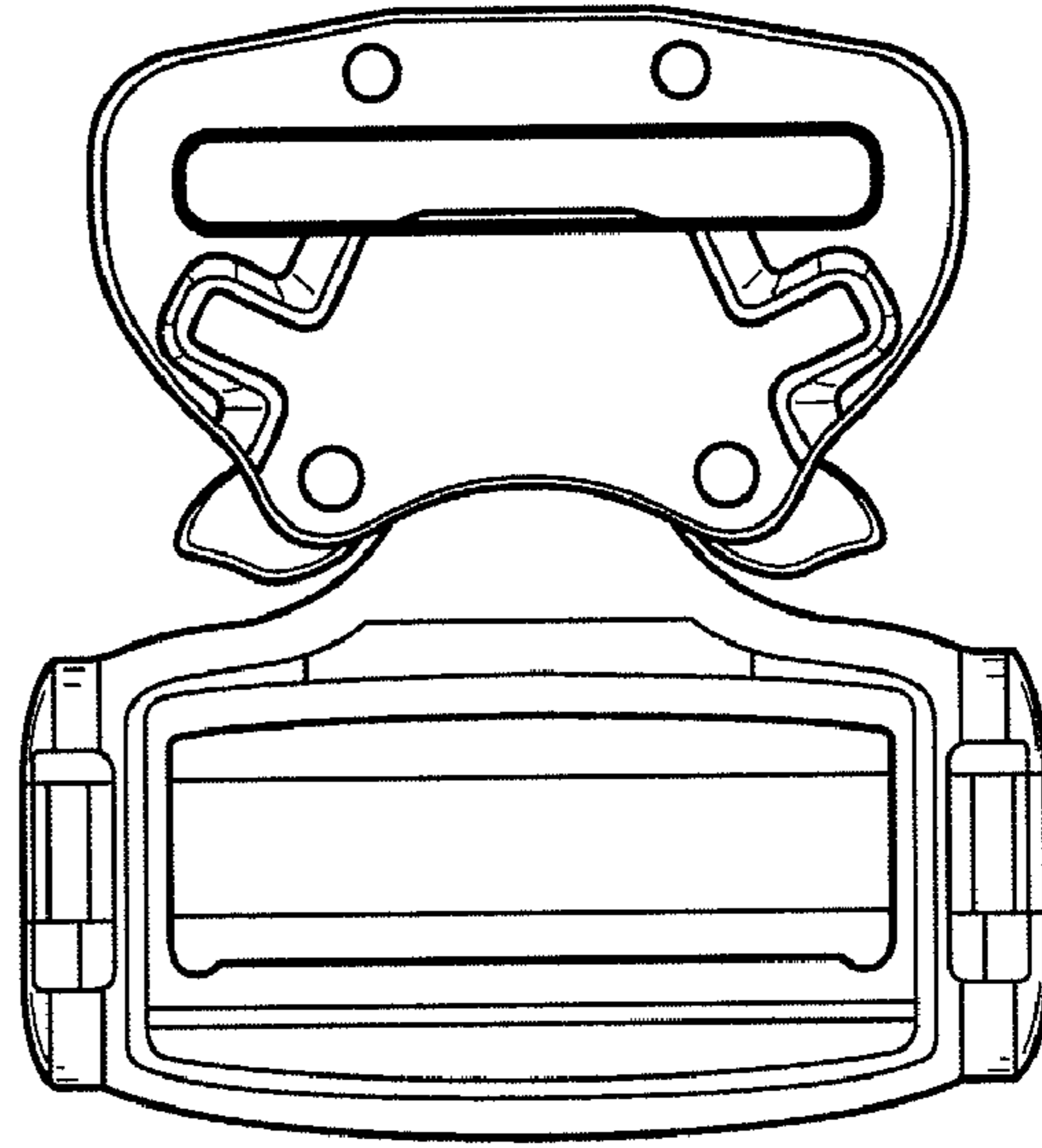


FIG. 2



FIG. 3

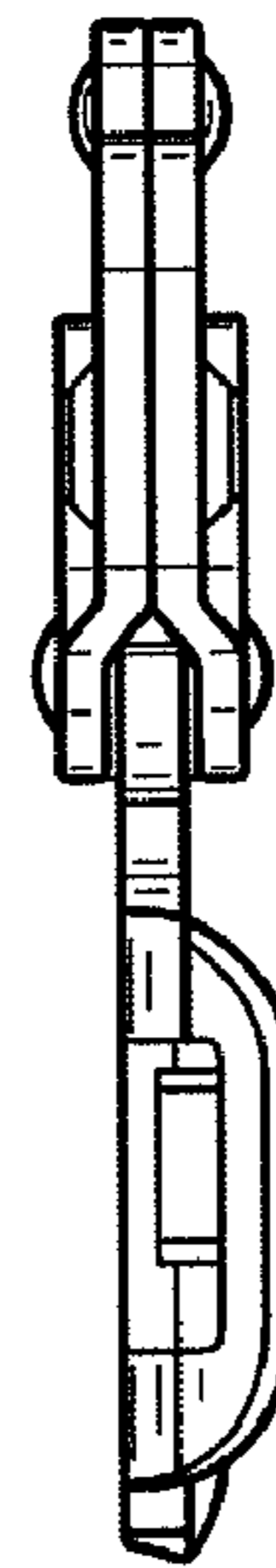


FIG. 4

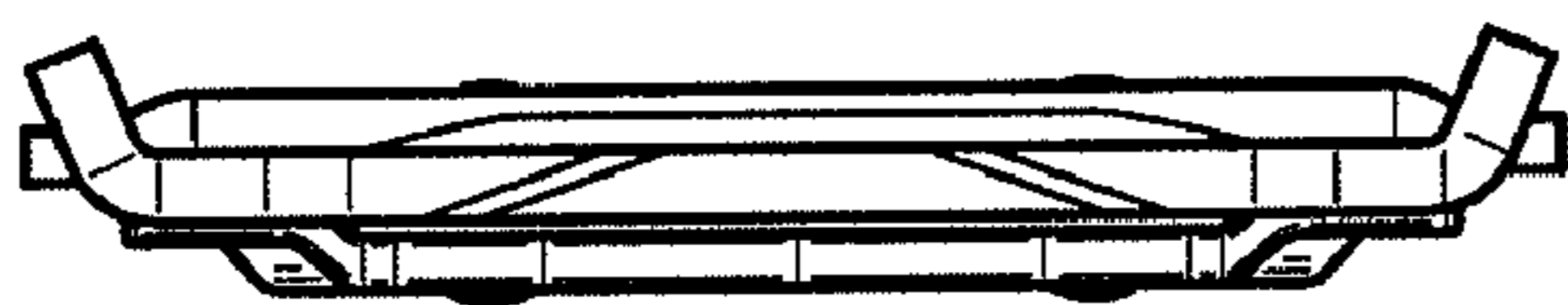


FIG. 5

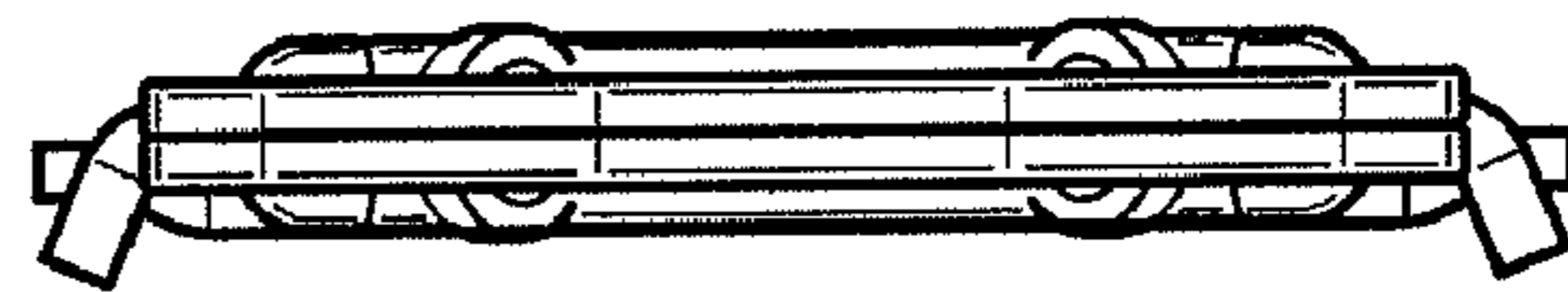


FIG. 6

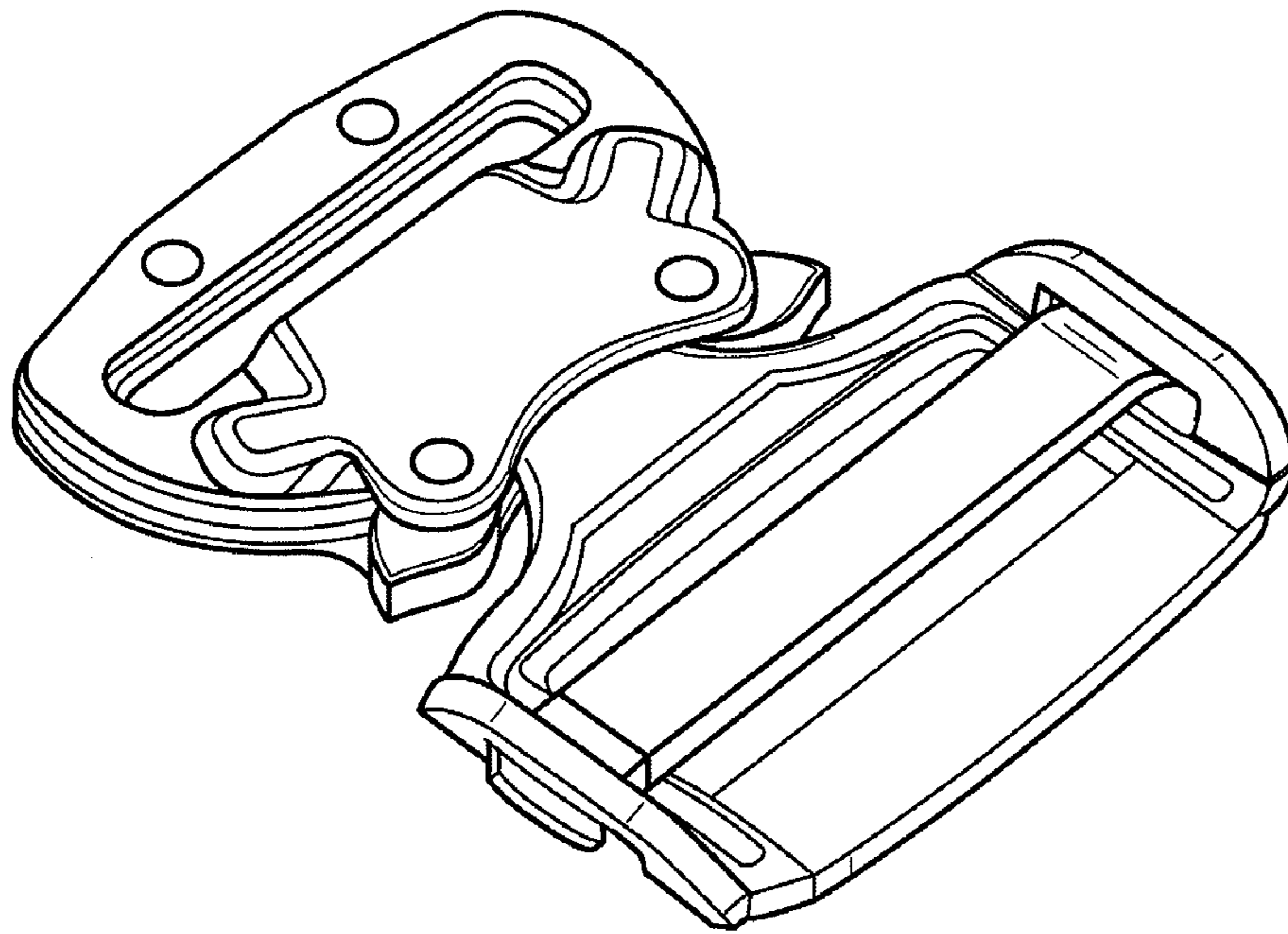


FIG. 7

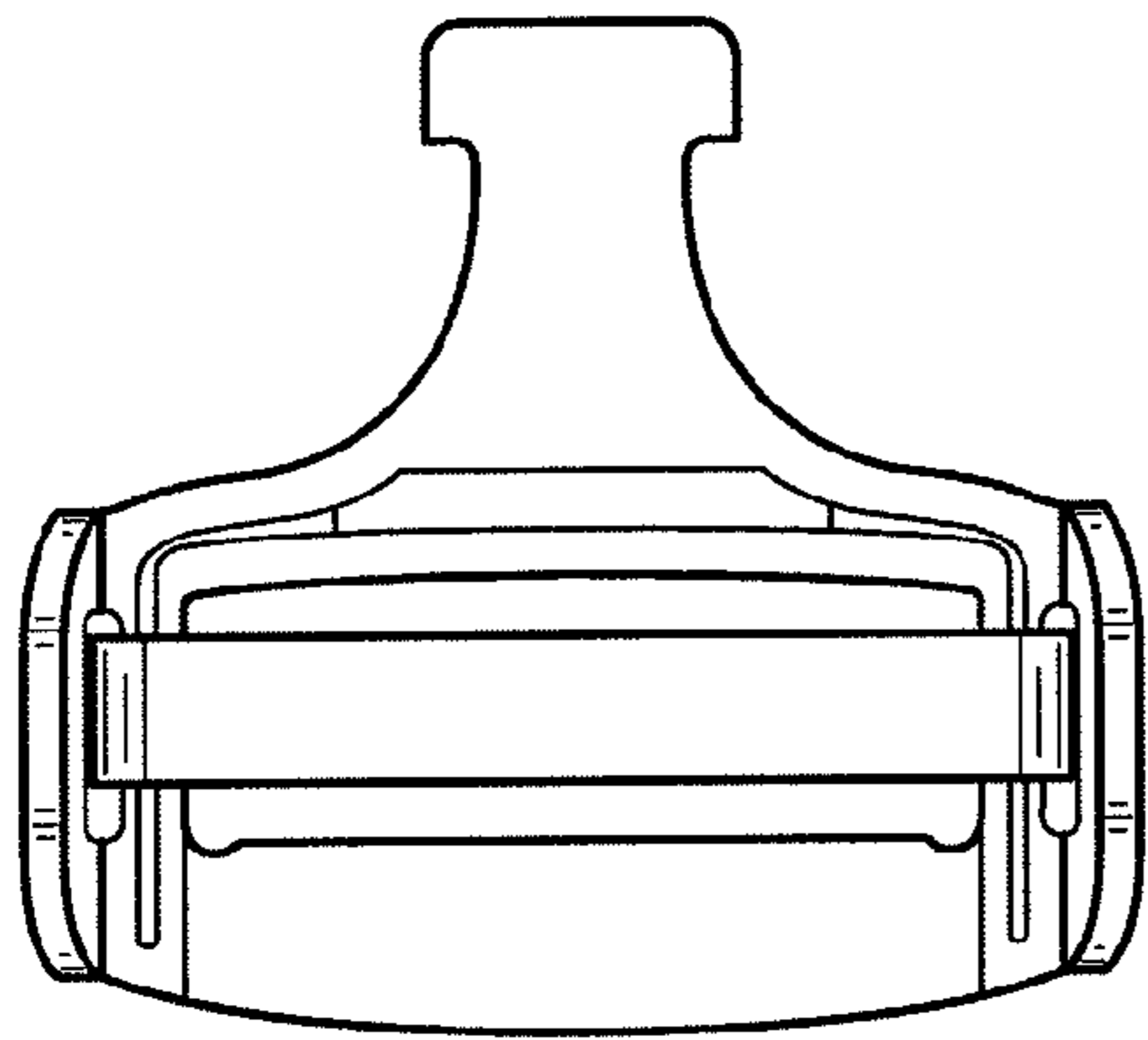


FIG. 8

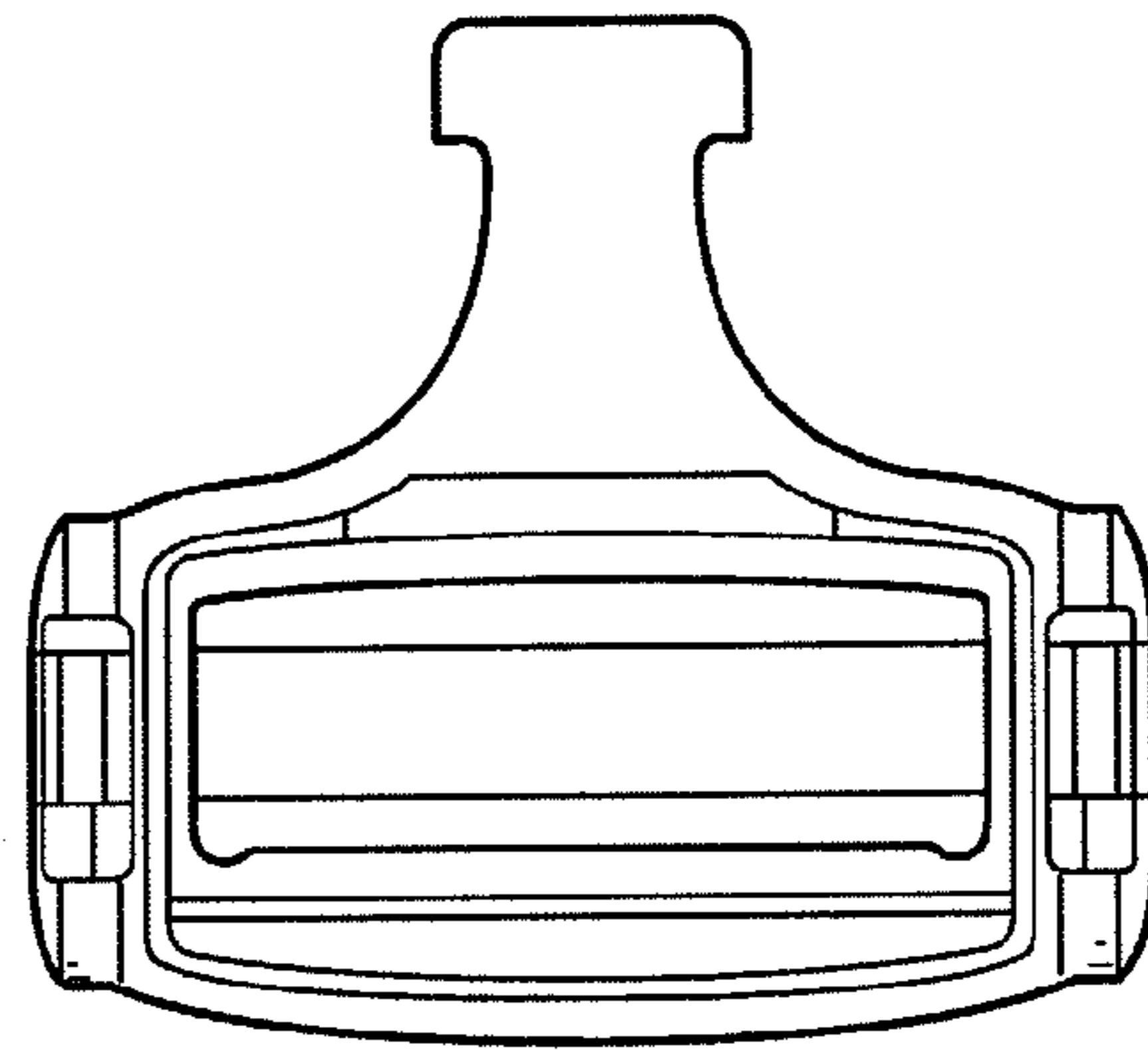


FIG. 9



FIG. 10



FIG. 11



FIG. 12

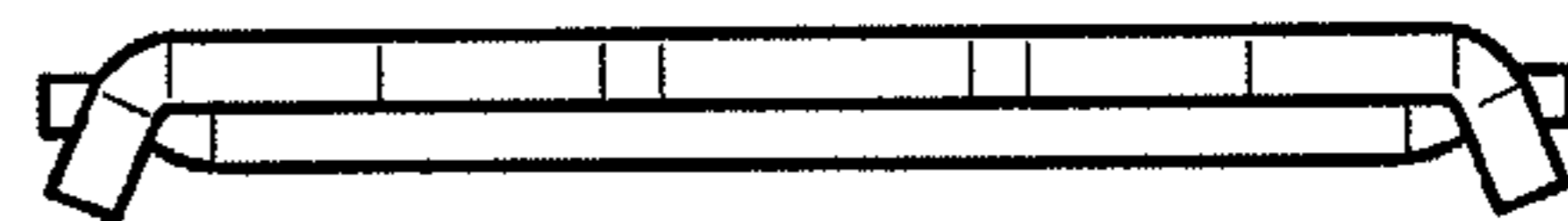


FIG. 13

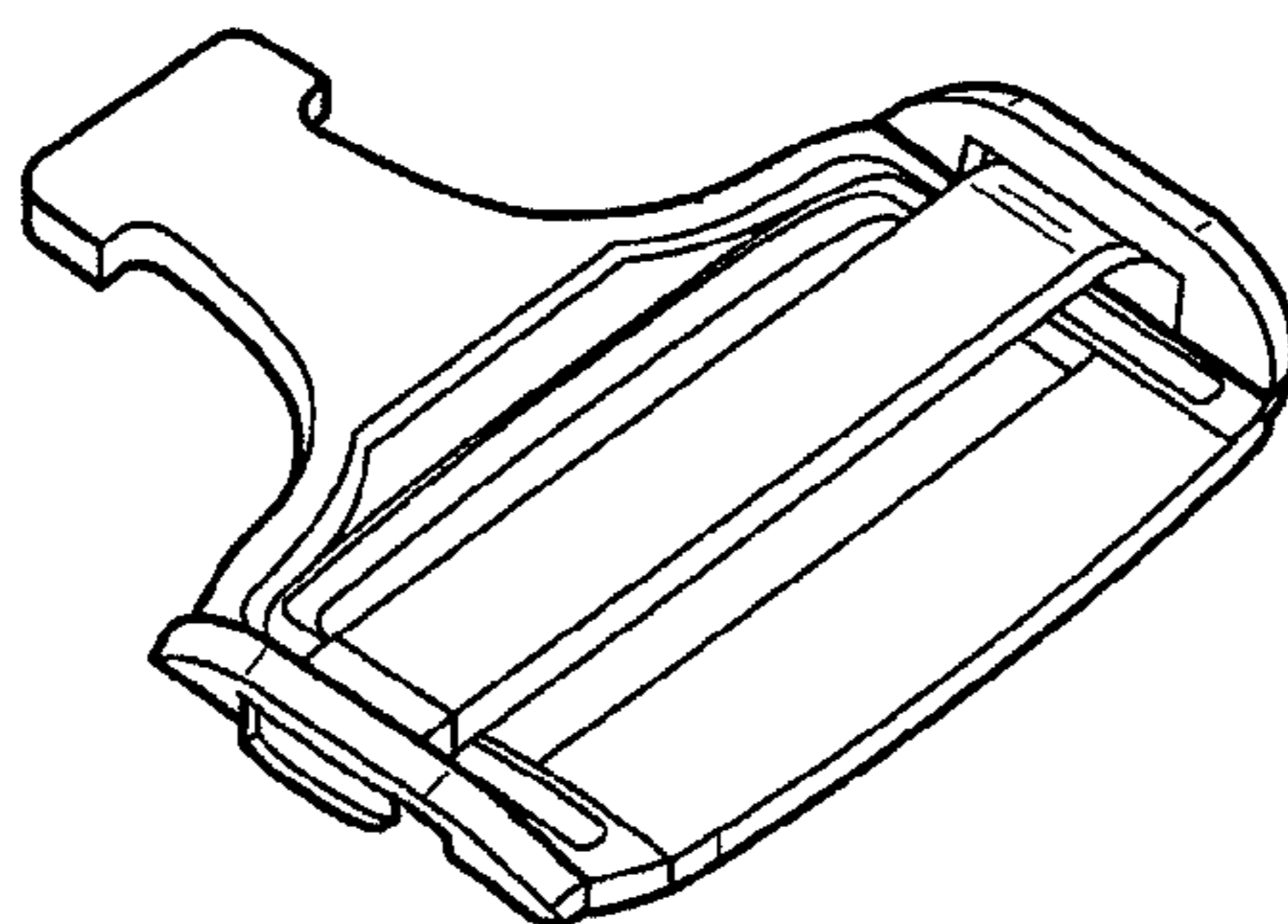


FIG. 14

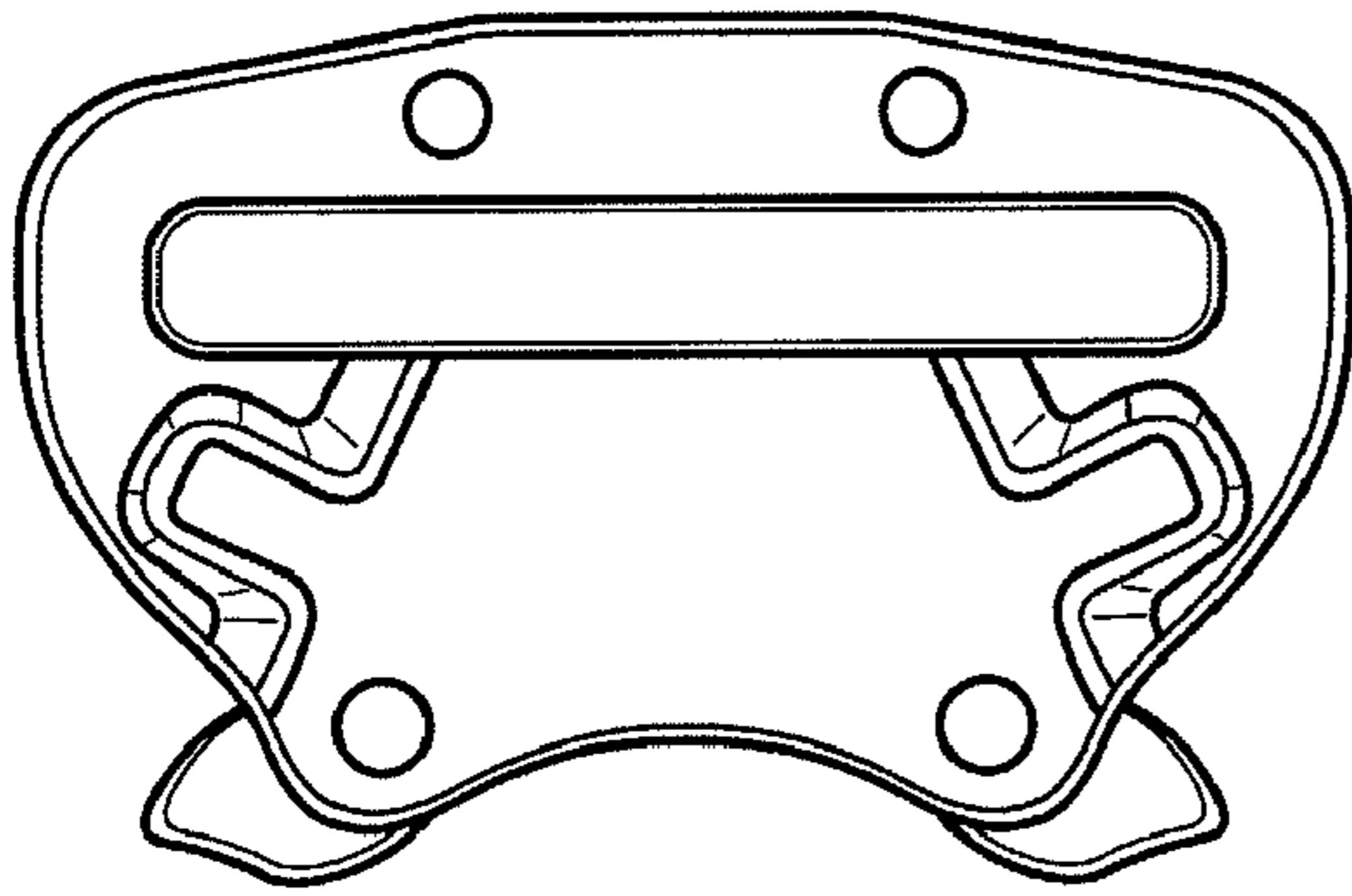


FIG. 15

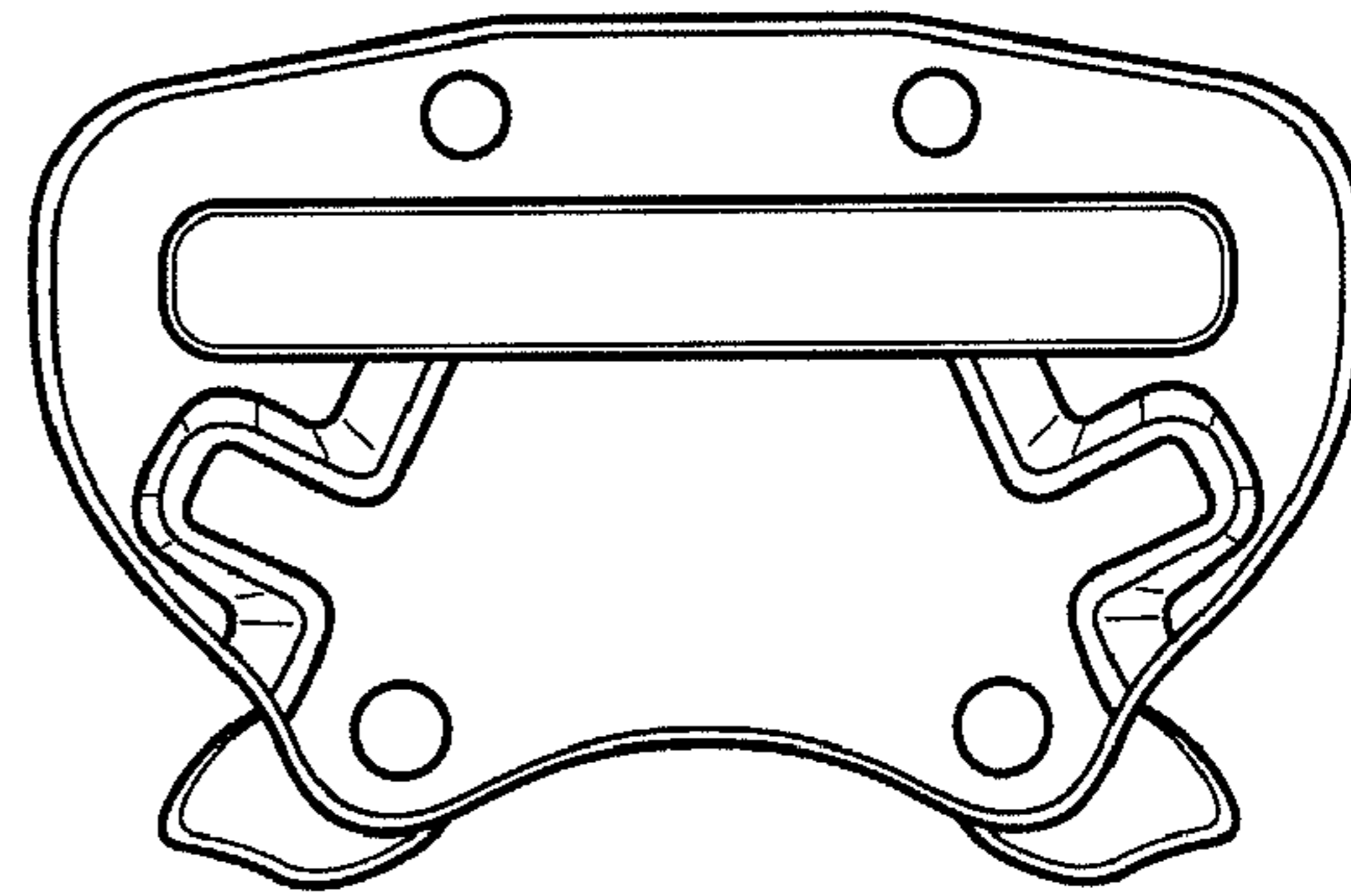


FIG. 16

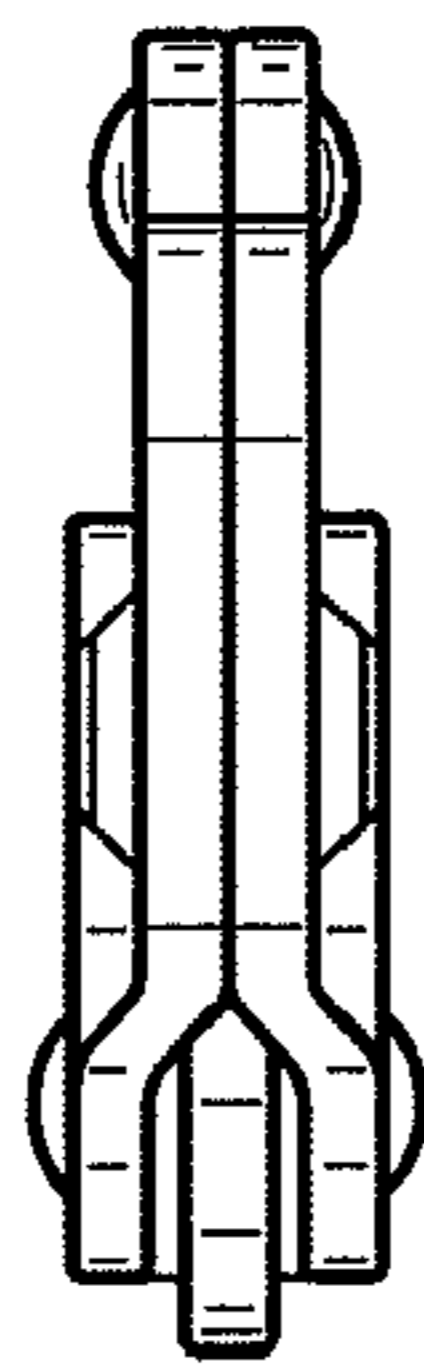


FIG. 17

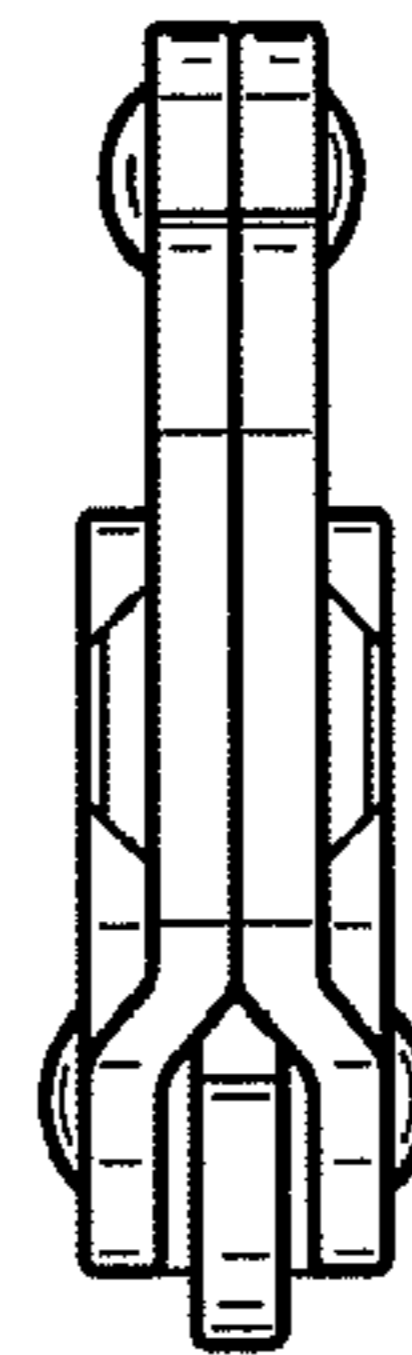


FIG. 18

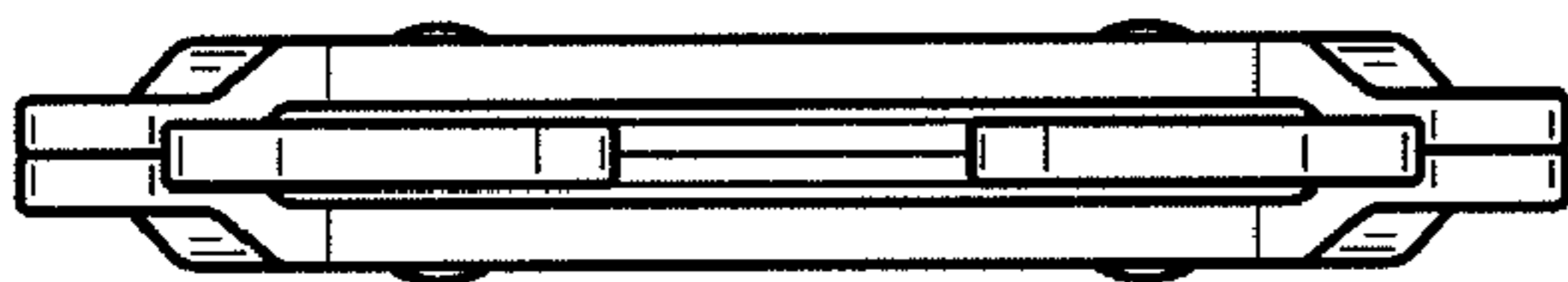


FIG. 19

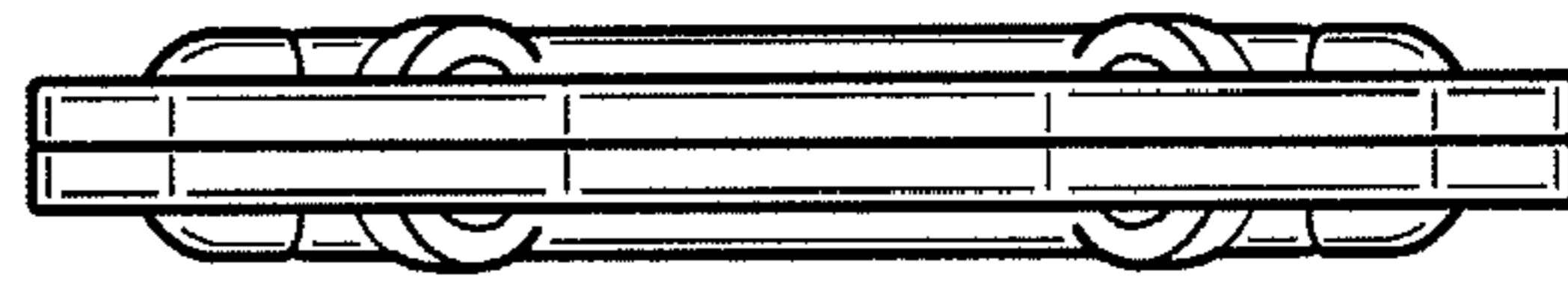


FIG. 20

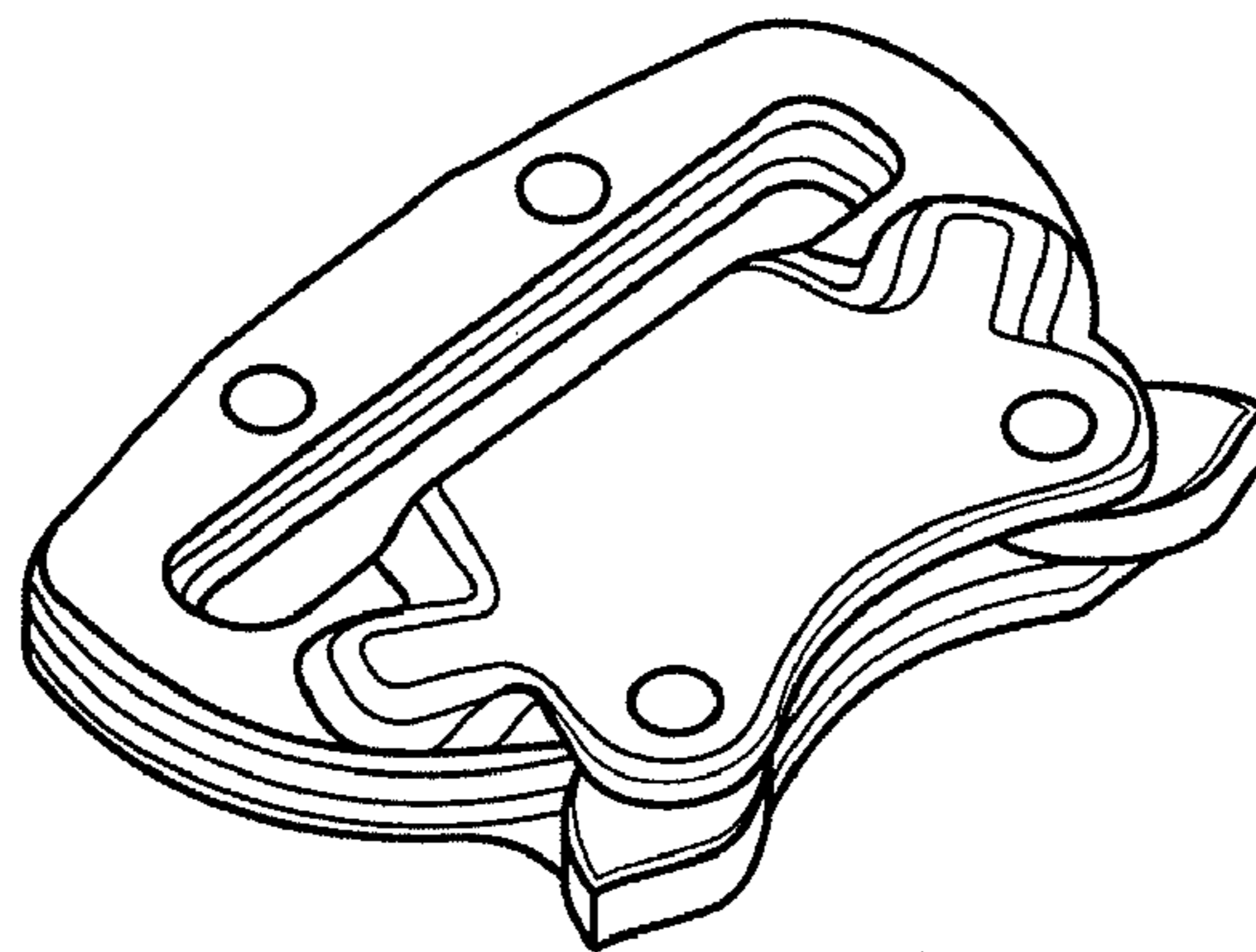


FIG. 21

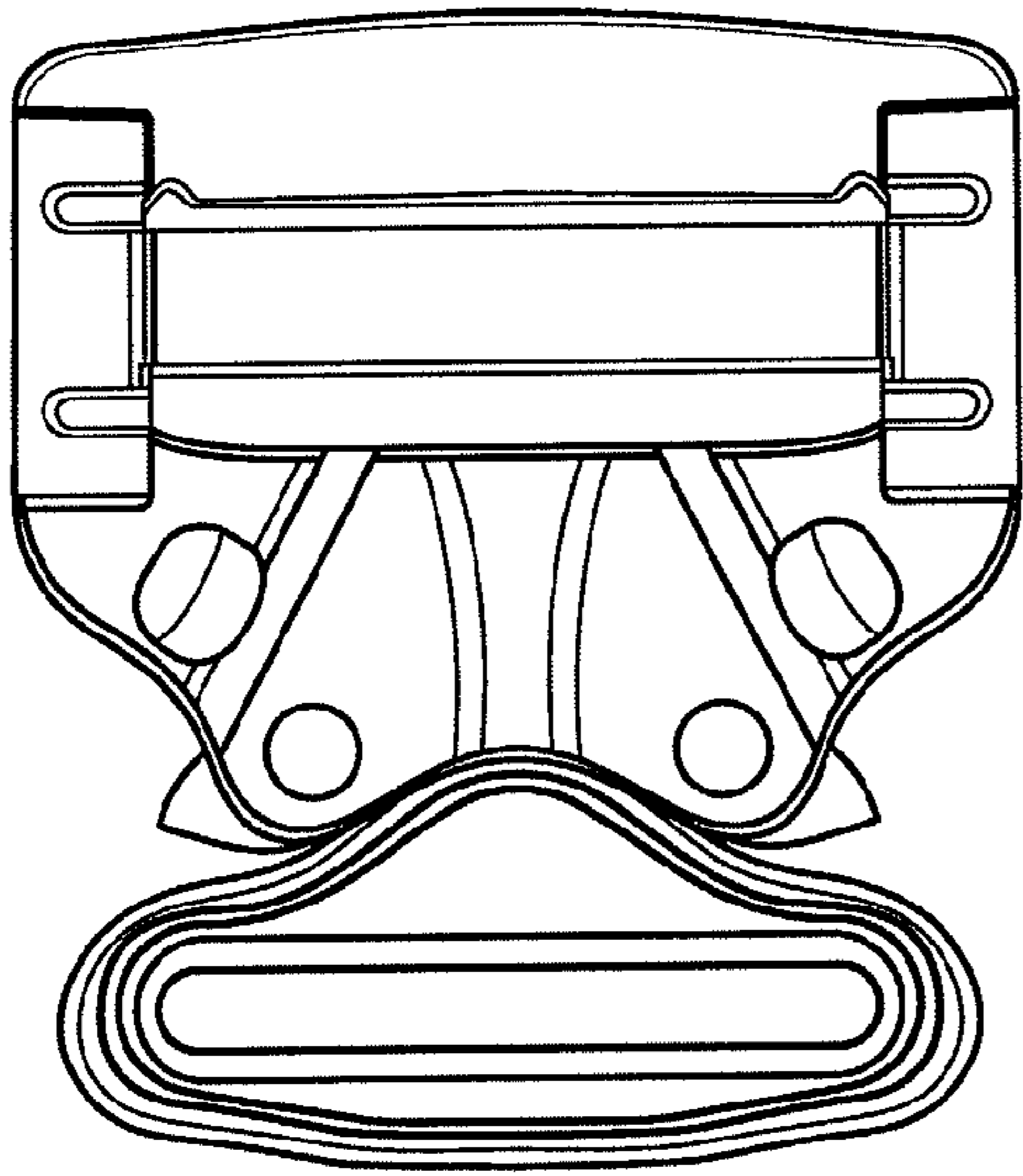


FIG. 22

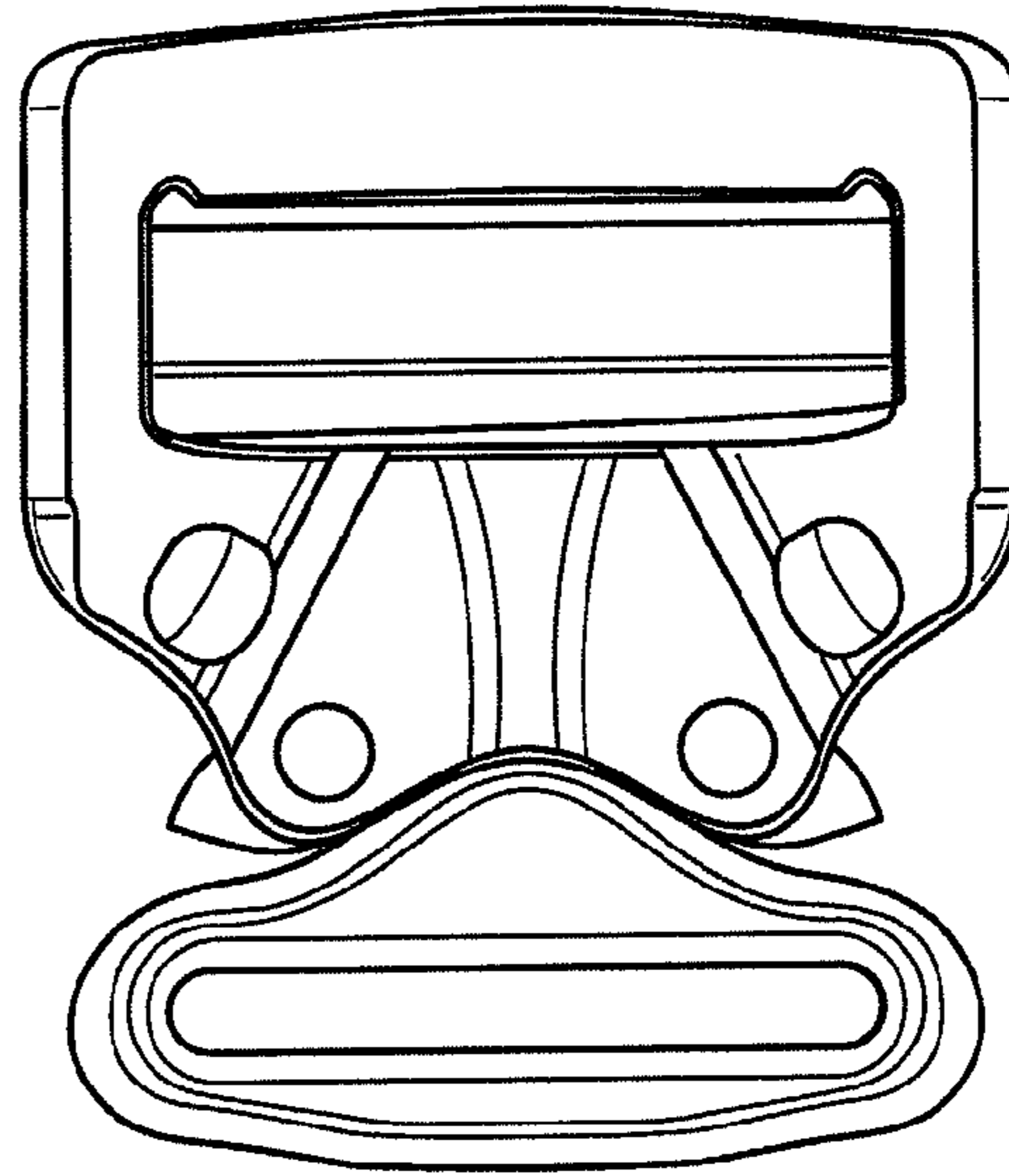


FIG. 23

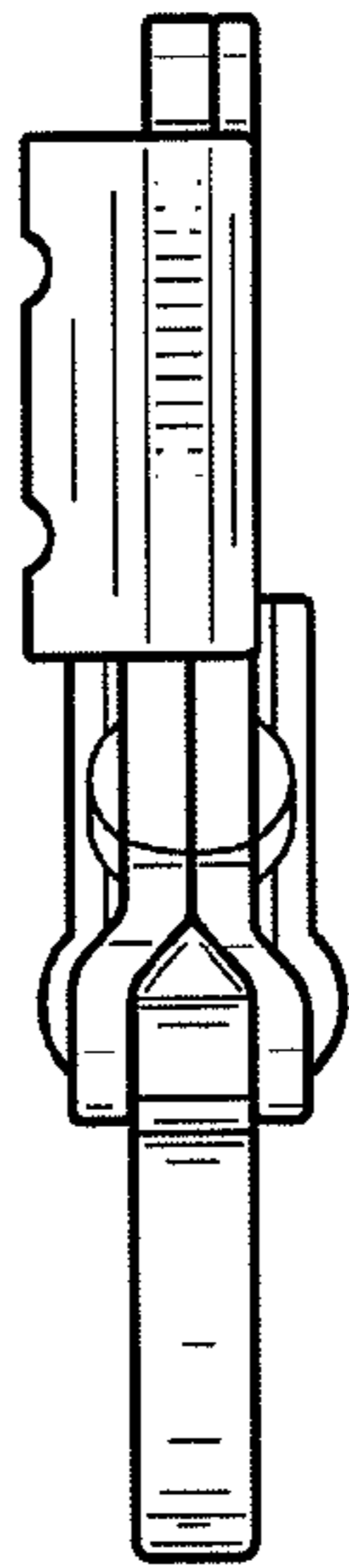


FIG. 24

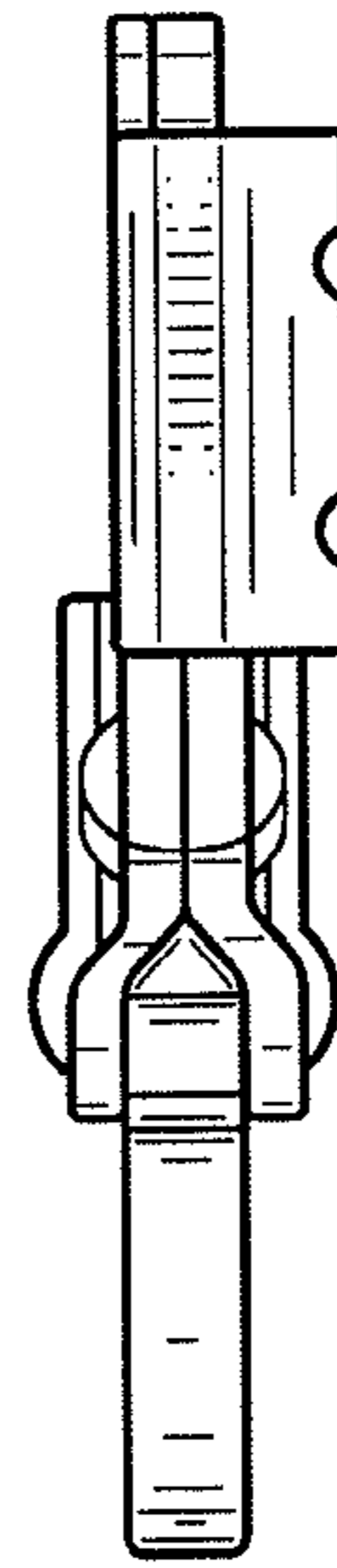


FIG. 25

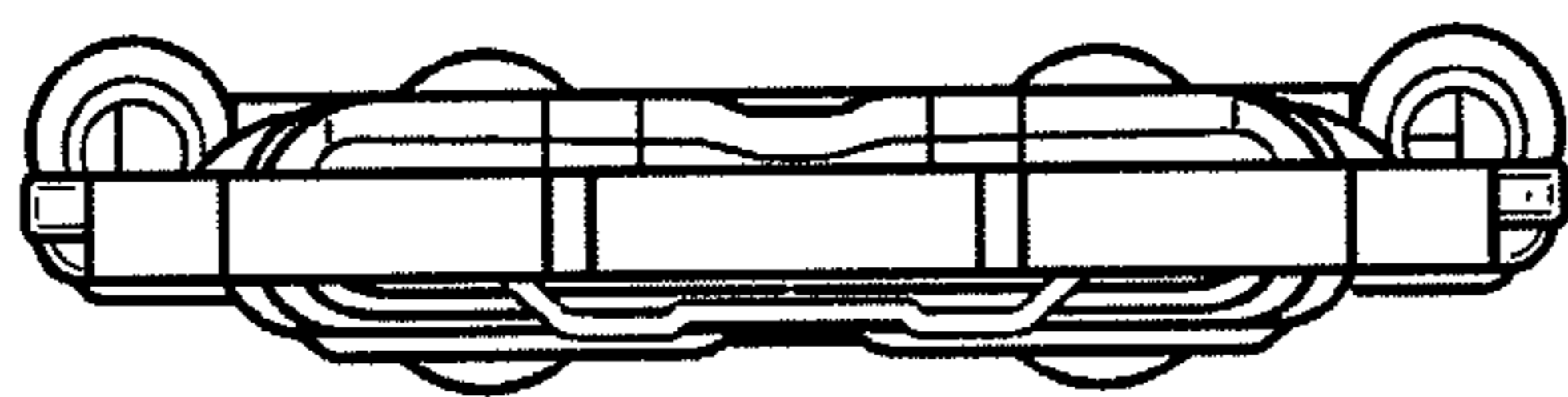


FIG. 26

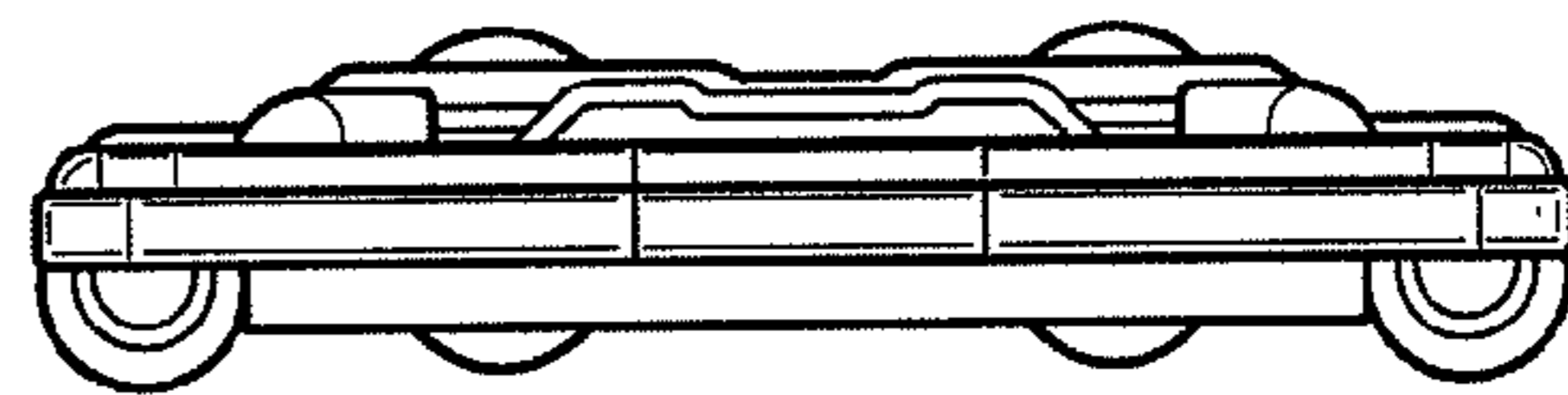


FIG. 27

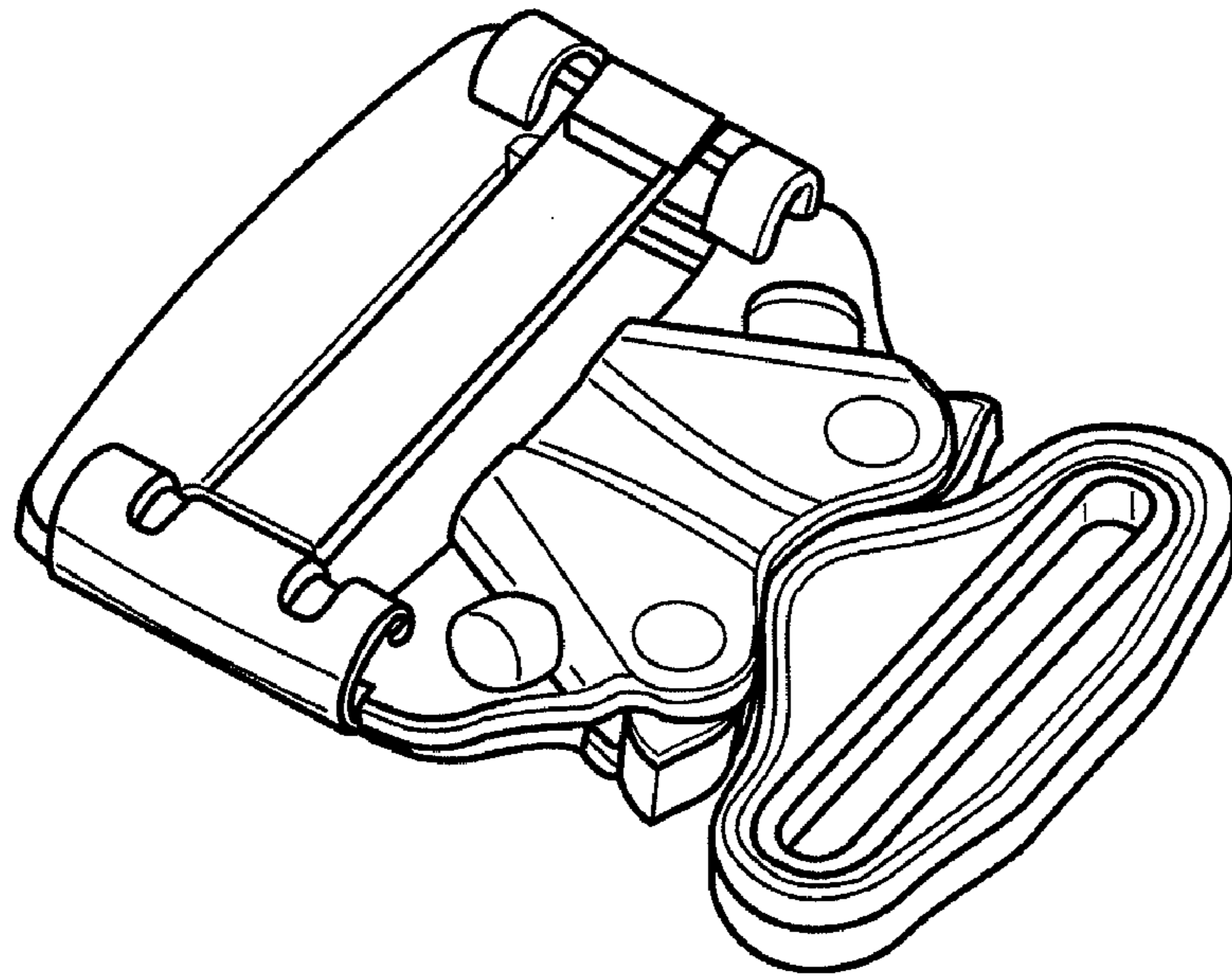


FIG. 28

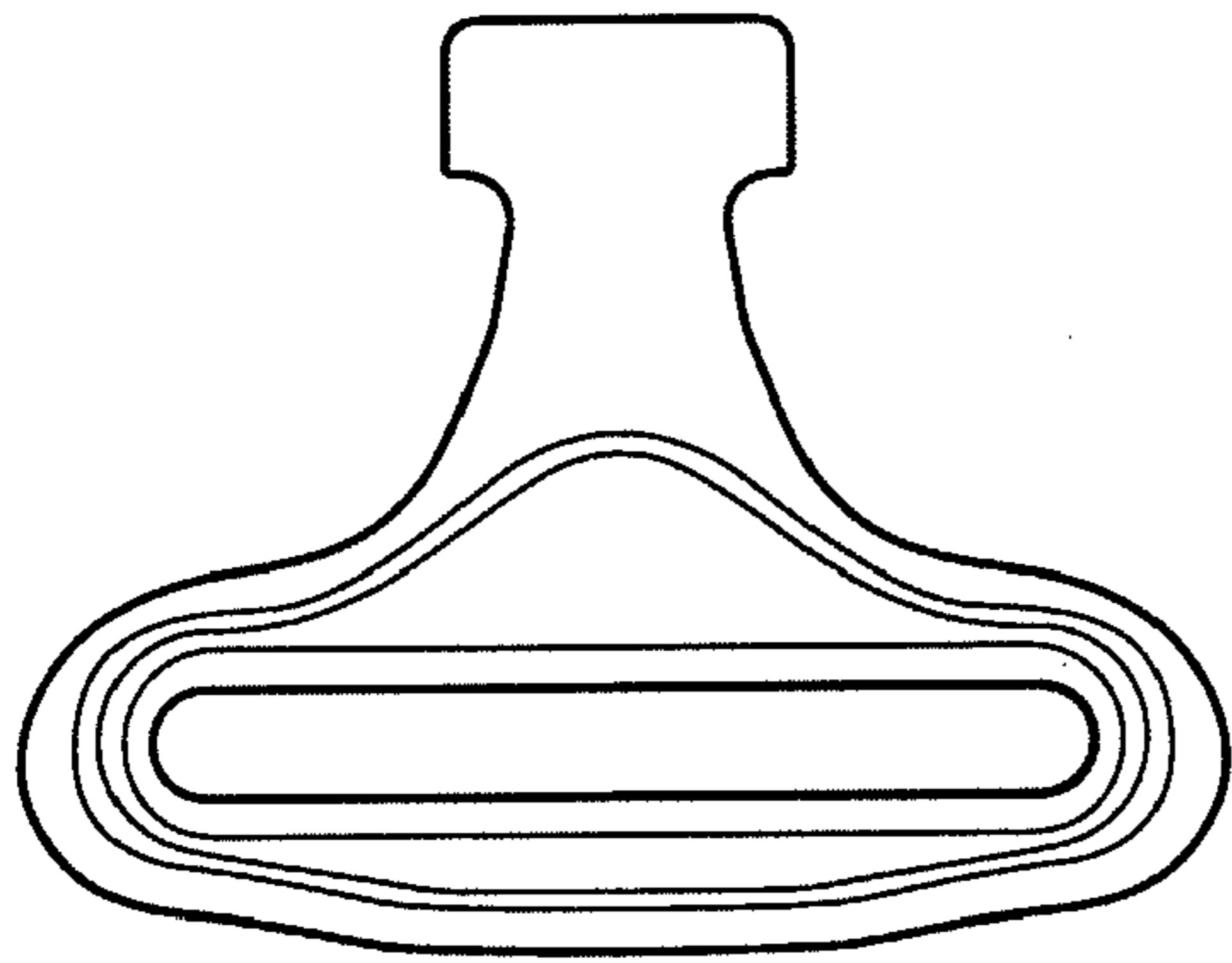


FIG. 29

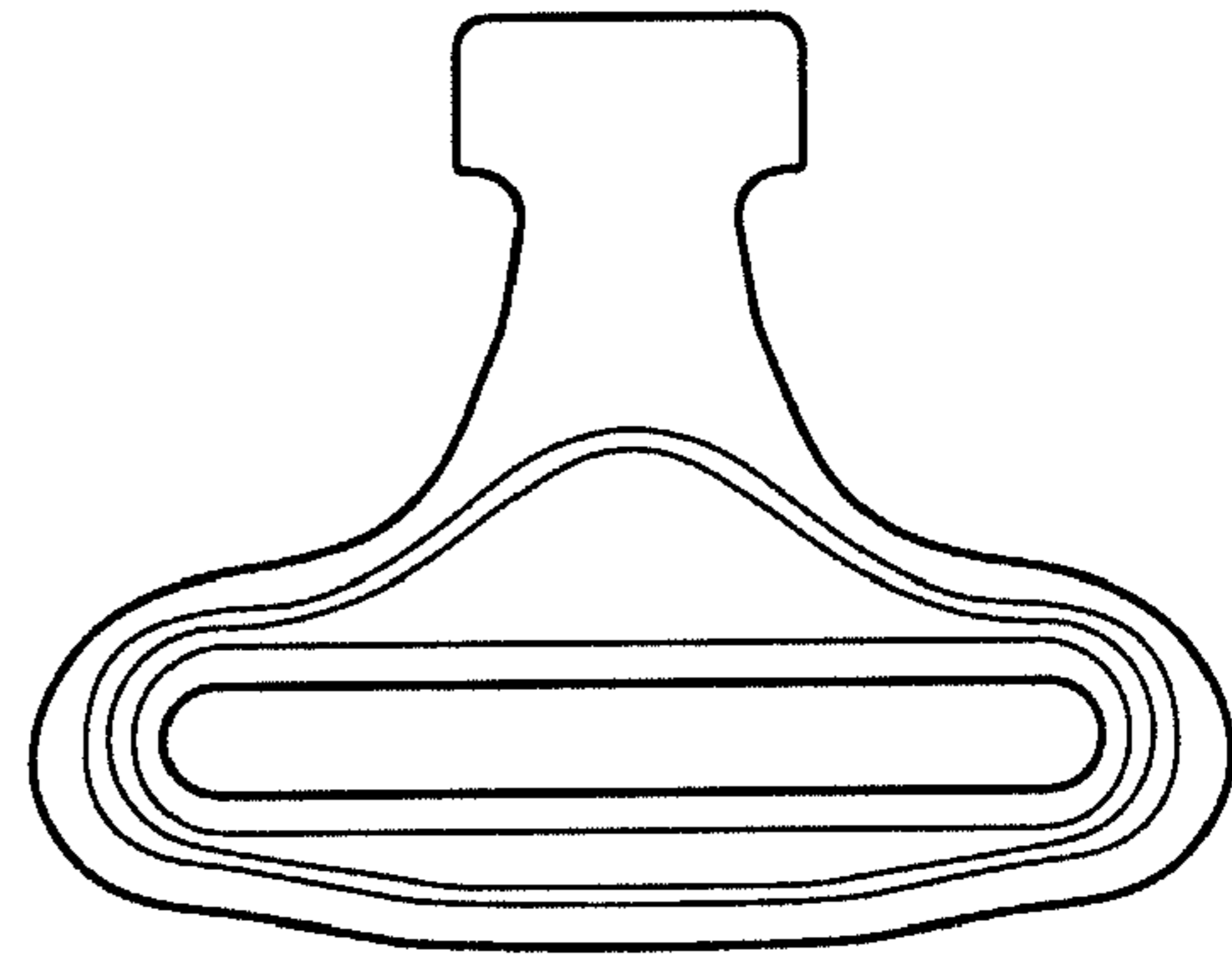


FIG. 30

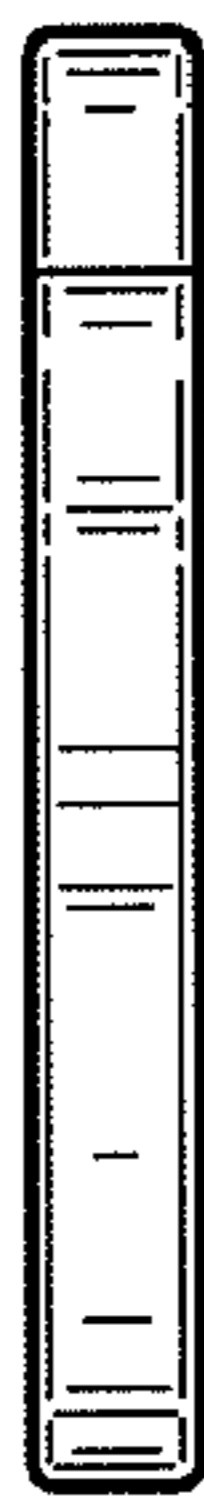


FIG. 31

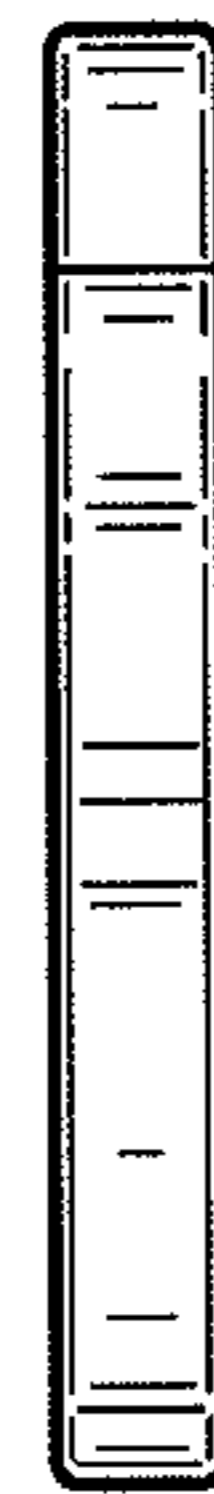


FIG. 32



FIG. 33



FIG. 34

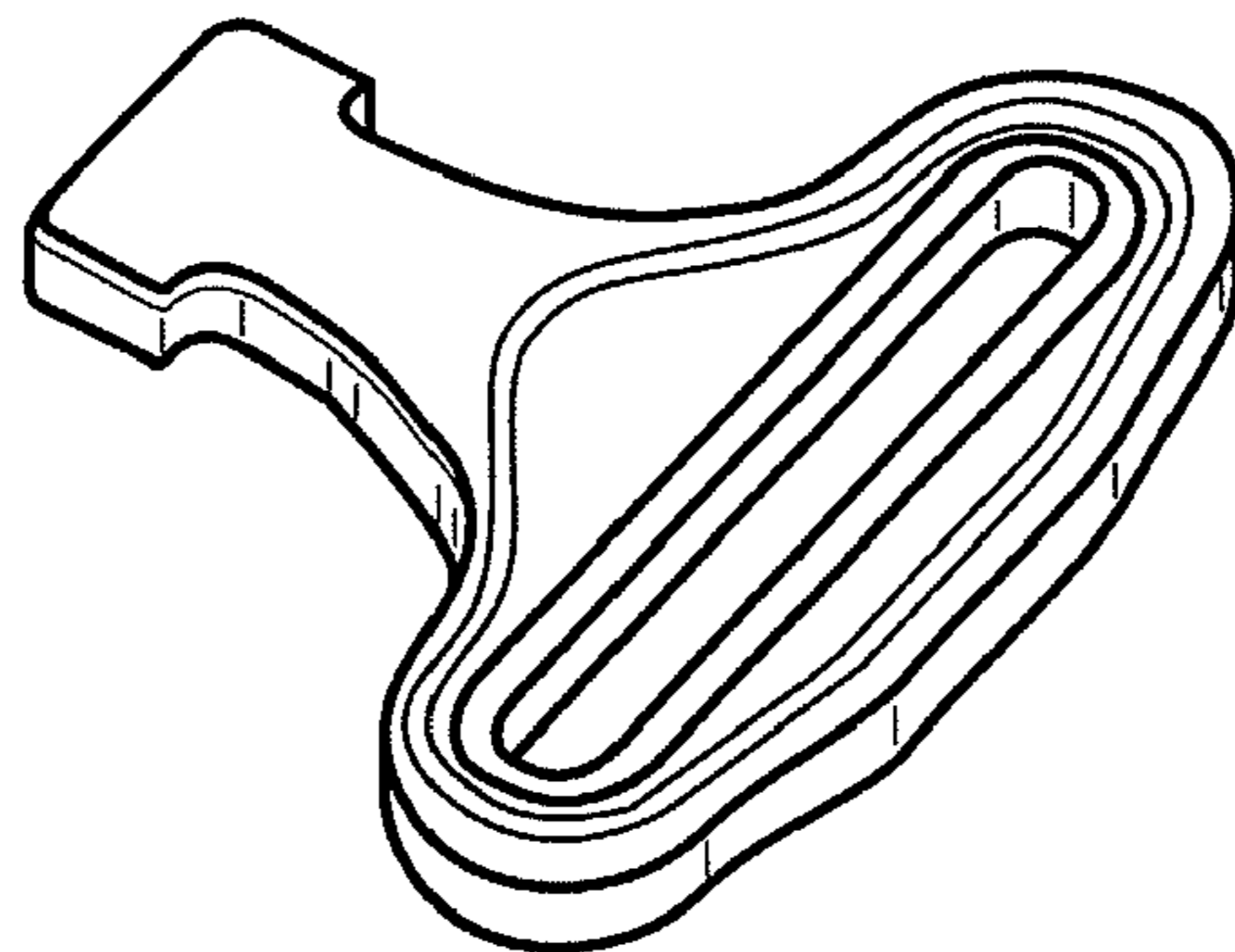


FIG. 35

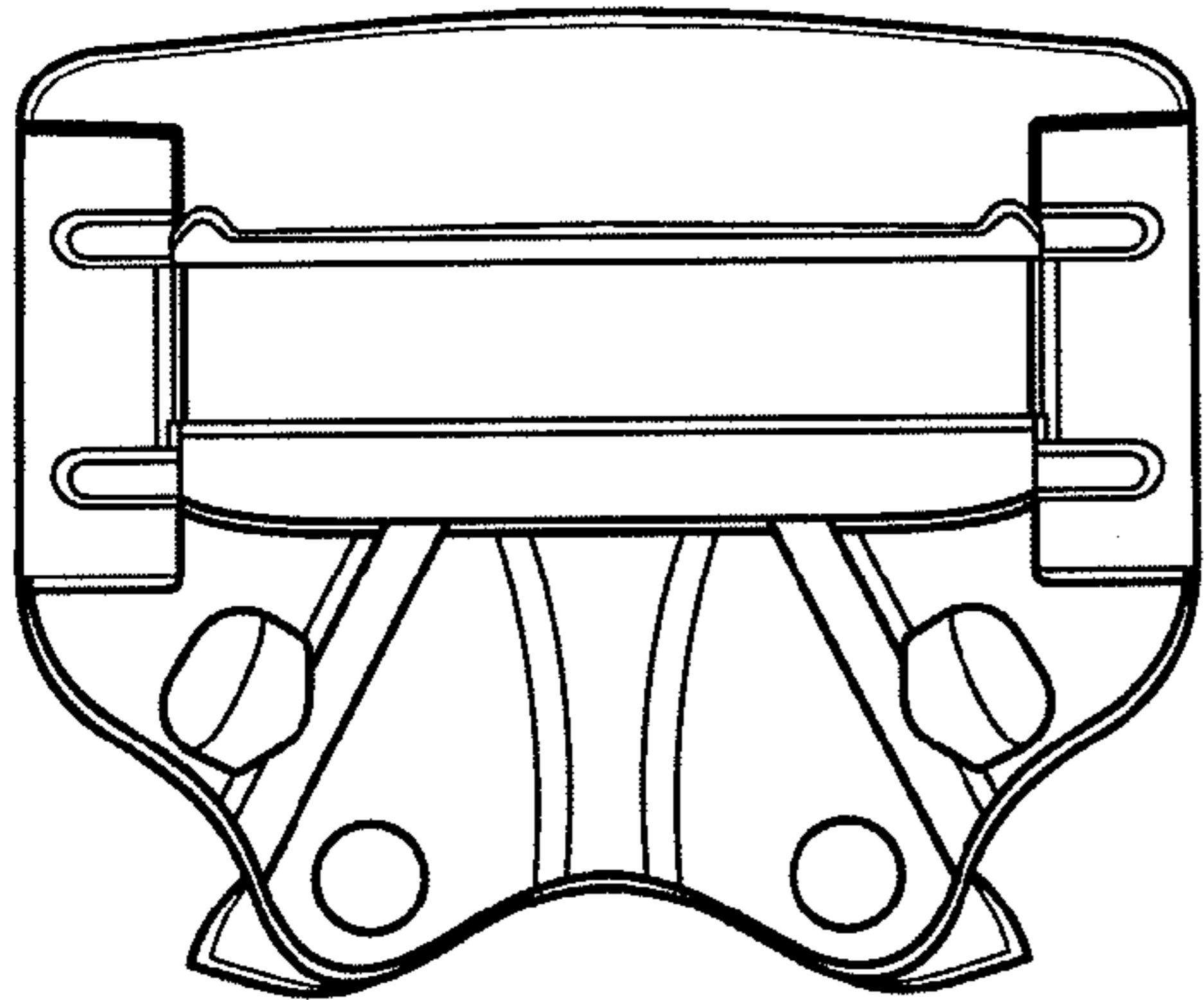


FIG. 36

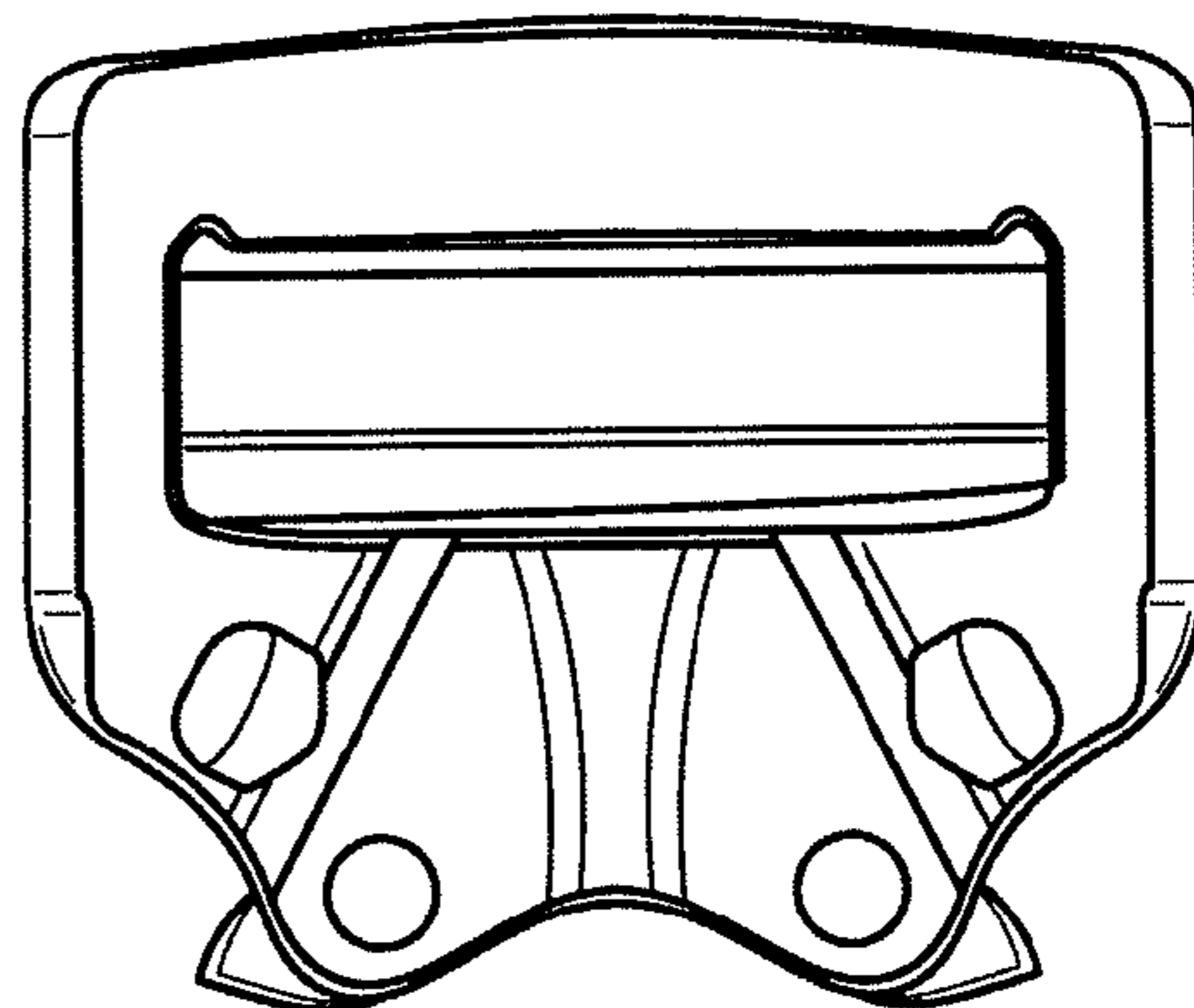


FIG. 37

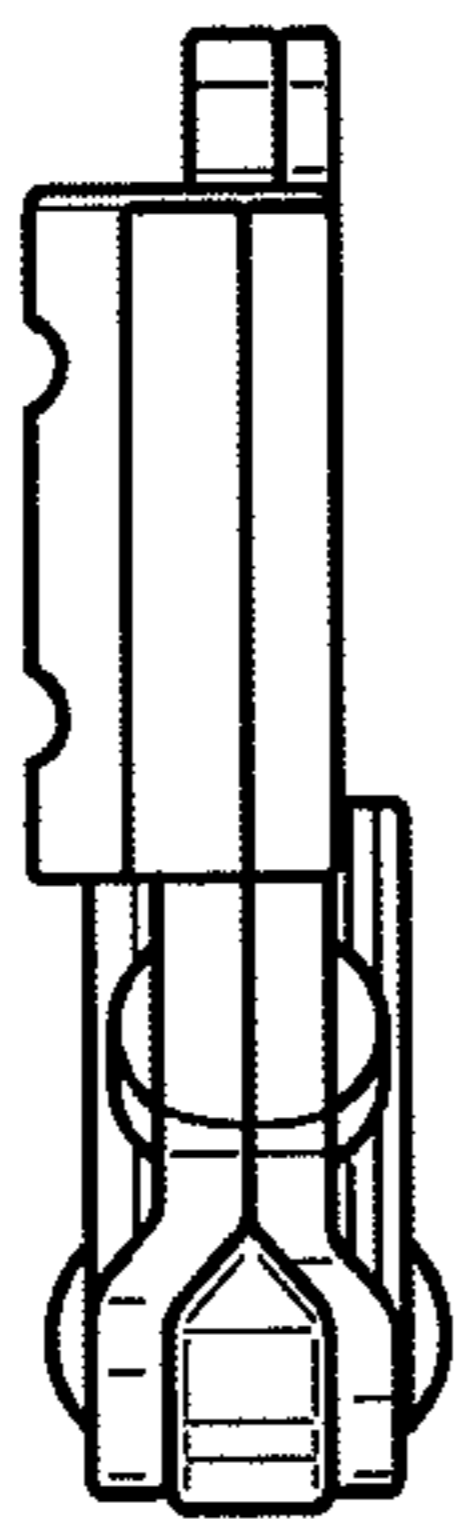


FIG. 38

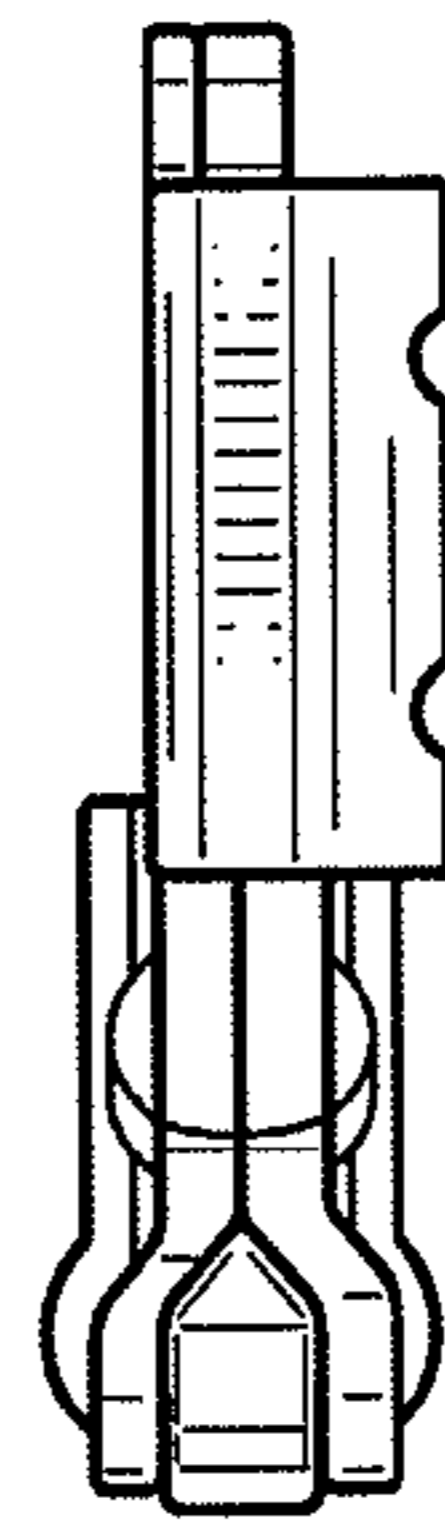


FIG. 39

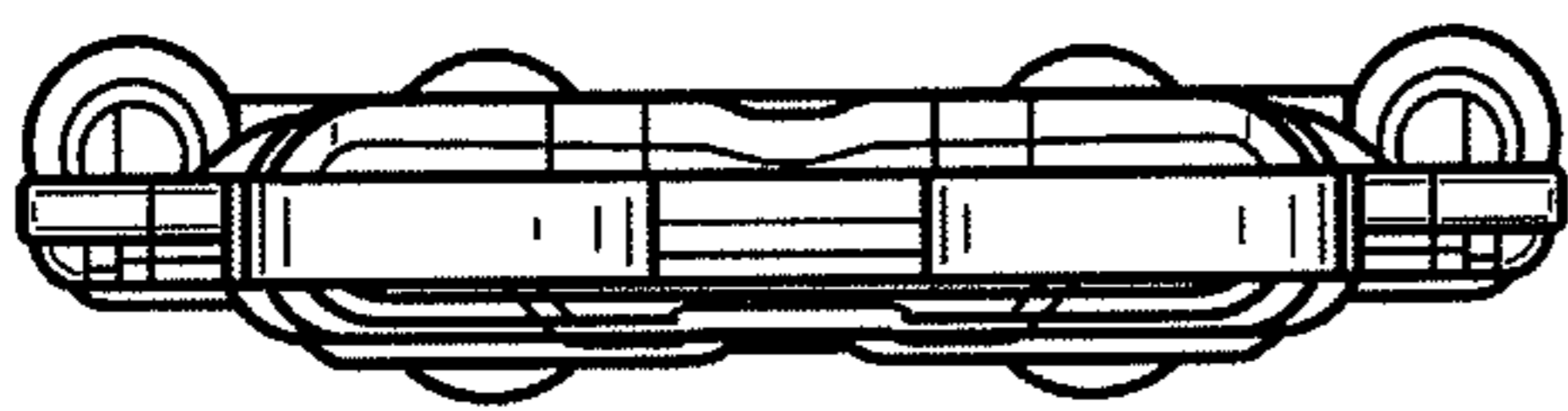


FIG. 40

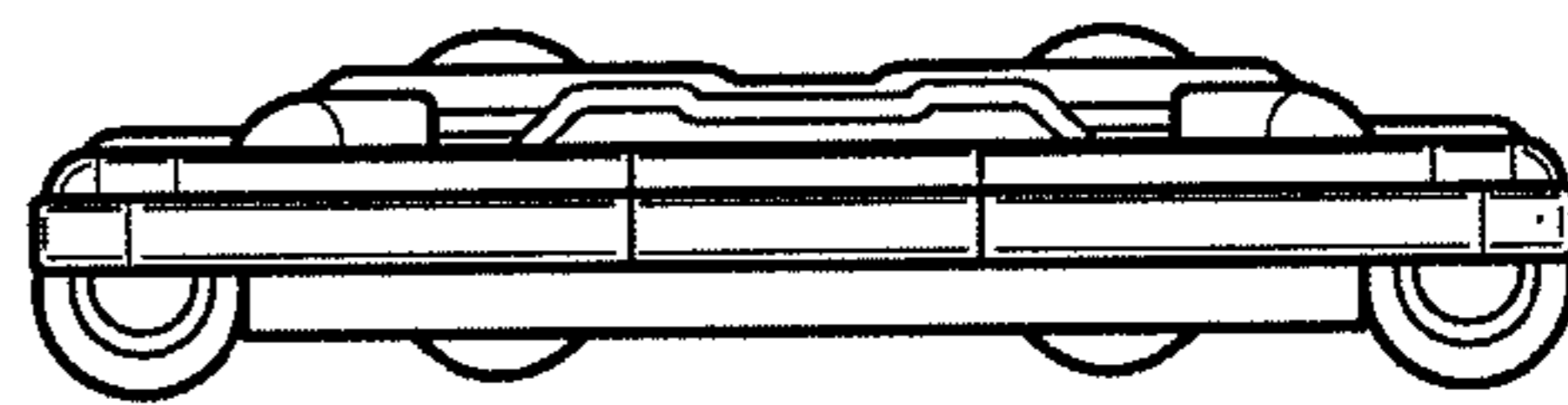


FIG. 41

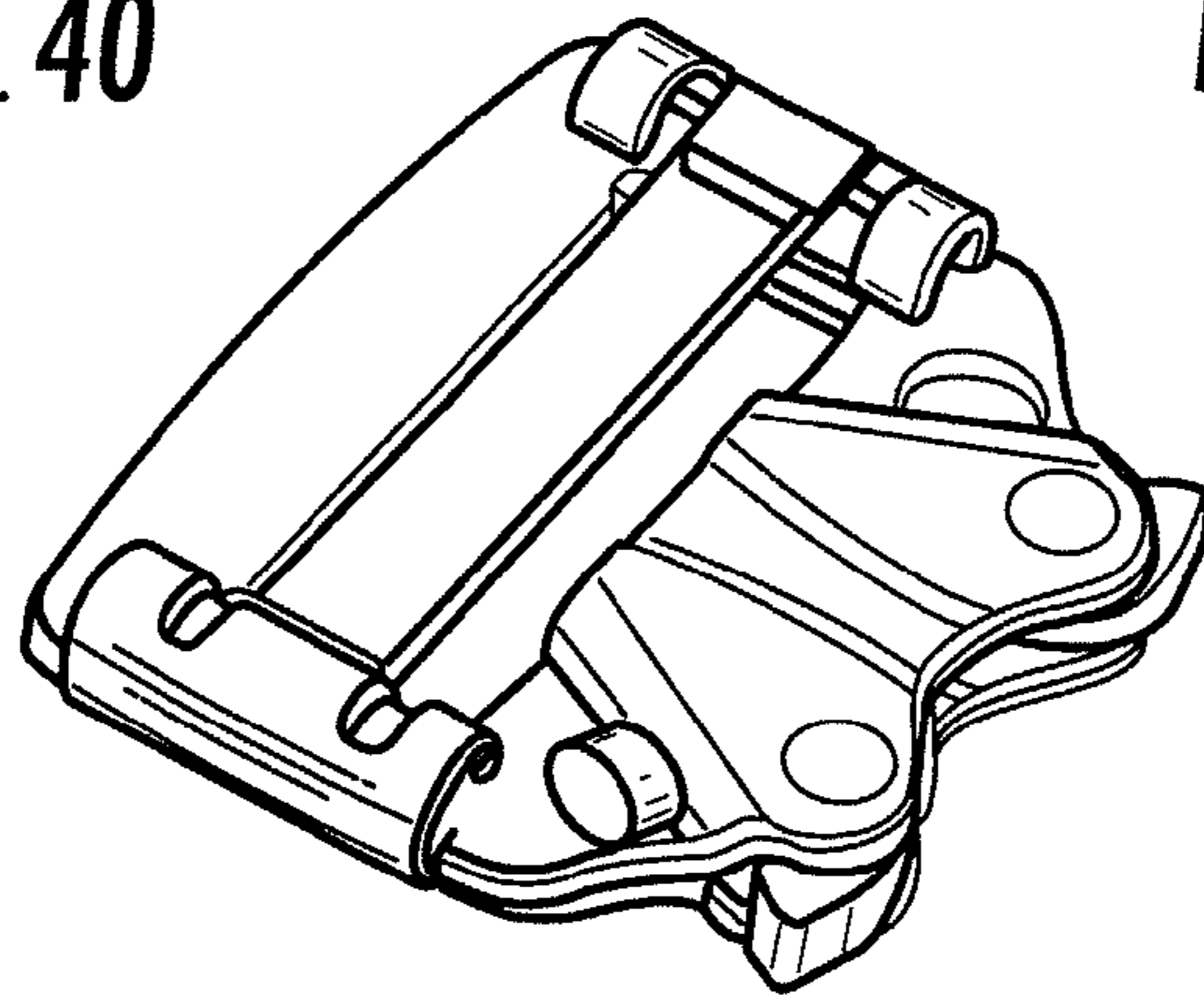


FIG. 42