



US00D621743S

(12) **United States Design Patent**
Hortnagl

(10) **Patent No.:** **US D621,743 S**

(45) **Date of Patent:** **** Aug. 17, 2010**

(54) **BUCKLE**

(75) Inventor: **Andreas Hortnagl**, Fulpmes (AT)

(73) Assignee: **ABA Hortnagl KG**
Werkzeuge-Vorrichtungen, Fulpmes (AT)

(**) Term: **14 Years**

(21) Appl. No.: **29/334,019**

(22) Filed: **Mar. 19, 2009**

(30) **Foreign Application Priority Data**

Sep. 26, 2008 (EM) 001009872

(51) **LOC (9) Cl.** **02-07**

(52) **U.S. Cl.** **D11/216**

(58) **Field of Classification Search** D11/1-2,
D11/200-201, 203-206, 210, 212, 214-219,
D11/222, 224, 226; 24/163 R, 169-171,
24/173, 177-179, 191, 194-195, 197, 200
See application file for complete search history.

(56) **References Cited**

U.S. PATENT DOCUMENTS

D241,089 S * 8/1976 Stafstrom D11/210
4,473,926 A 10/1984 Ono
D360,390 S * 7/1995 Murai D11/216
5,472,234 A 12/1995 Chang
7,350,277 B1 4/2008 Canfield et al.
2002/0184742 A1 12/2002 Casebolt et al.
2006/0048350 A1 3/2006 Coulombe et al.

FOREIGN PATENT DOCUMENTS

AT 30813 6/1998

(Continued)

OTHER PUBLICATIONS

Click Buckle, Feb. 4, 2009, detected in internet: <<http://www.austrialspin.com/03-austrialspin/bilder/pdfprod/cobra.pdf>>, the whole document.

(Continued)

Primary Examiner—Ralf Seifert

(74) *Attorney, Agent, or Firm*—Volpe and Koenig, P.C.

(57) **CLAIM**

The ornamental design for a buckle, as shown and described.

DESCRIPTION

FIG. 1 is a front, right side, bottom perspective view of a buckle according to my design;

FIG. 2 is a back, left side, bottom perspective view thereof;

FIG. 3 is a front view thereof;

FIG. 4 is a left side view thereof;

FIG. 5 is a back view thereof;

FIG. 6 is a right side view thereof

FIG. 7 is a top view thereof;

FIG. 8 is a bottom view thereof;

FIG. 9 is a front, right side, bottom perspective view of a male part of the buckle of FIG. 1 shown alone;

FIG. 10 is a back, left side, bottom perspective view thereof;

FIG. 11 is a front view thereof;

FIG. 12 is a left side view thereof;

FIG. 13 is a back view thereof;

FIG. 14 is a right side view thereof;

FIG. 15 is a top view thereof; and

FIG. 16 is a bottom view thereof;

FIG. 17 is front, right side, bottom perspective view of the female part of the buckle of FIG. 1 shown alone;

FIG. 18 is a back, left side, bottom perspective view thereof;

FIG. 19 is a front view thereof;

FIG. 20 is a left side view thereof;

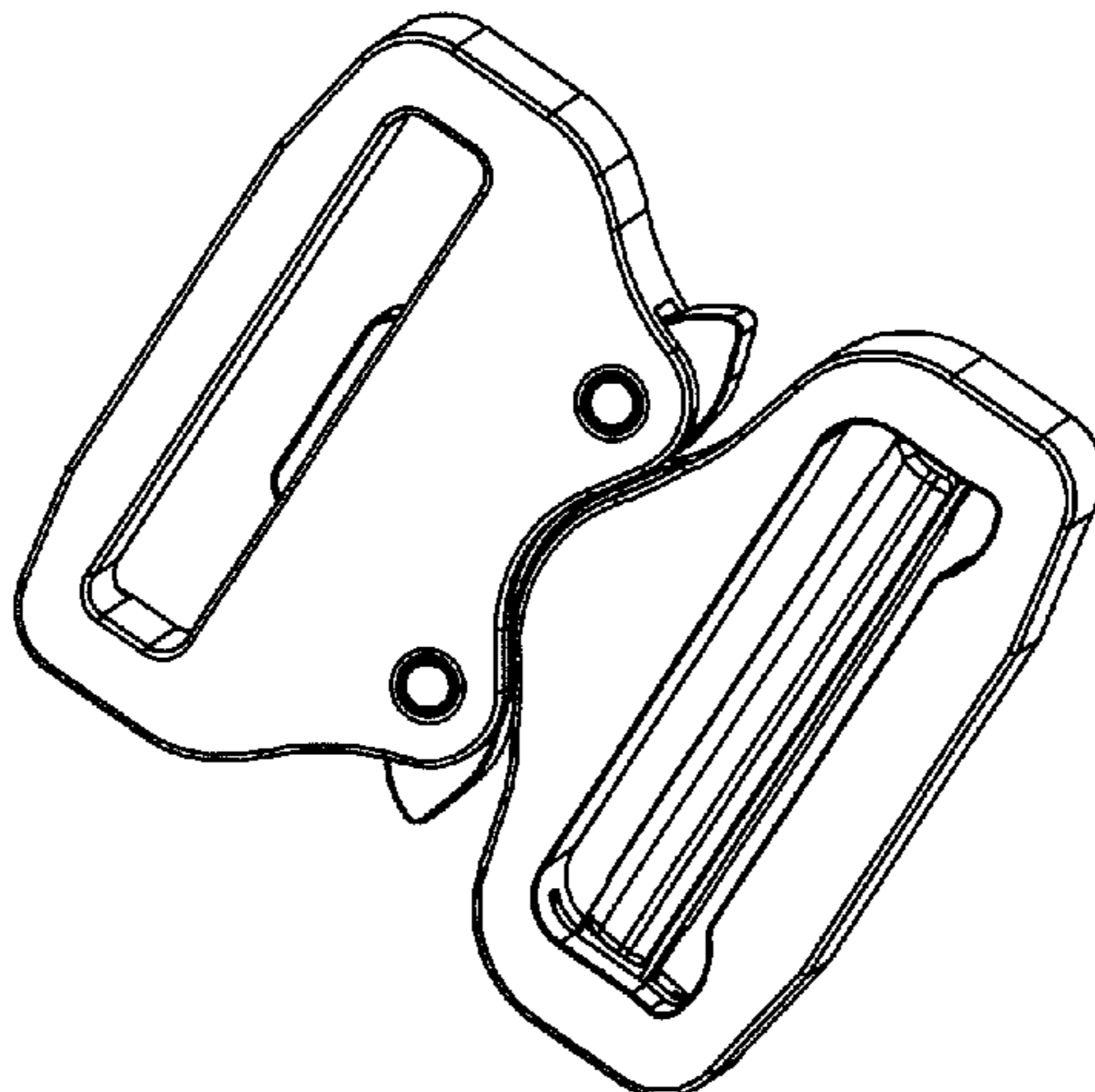
FIG. 21 is a back view thereof;

FIG. 22 is a right side view thereof;

FIG. 23 is a top view thereof; and,

FIG. 24 is a bottom view thereof.

1 Claim, 3 Drawing Sheets



US D621,743 S

Page 2

FOREIGN PATENT DOCUMENTS

AT	30814	6/1998
AT	30815	6/1998
AT	31486	8/1998
AT	31487	8/1998
AT	31488	8/1998
DE	6608511	9/1971
DE	2323870	11/1974
DE	3216075	11/1983
DE	3934300	4/1990
EM	000565155-0001	7/2006
EM	000565155-0002	7/2006
EM	000565155-0003	7/2006
EM	000565155-0004	7/2006
EM	000565155-0005	7/2006

EM	000565155-0006	7/2006
EM	000565155-0007	7/2006
GB	284497	2/1928
WO	2008045695	4/2008

OTHER PUBLICATIONS

Buckle Click, Fix, Feb. 4, 2009, detected in internet: <<http://www.stubai-bergsport.com-->products-->aviation>>, the whole document.
Gurtschnallen Buckles, detected in Internet: <http://www.austrialpin.at/03-austrialpin/ger/detail/detai.php?sid=02060>, the whole document.

Skysports, detected in Internet: <http://www.austrialpin.at/03-austrialpin/eng/overview/over.php?sid=02>, the whole document.

* cited by examiner

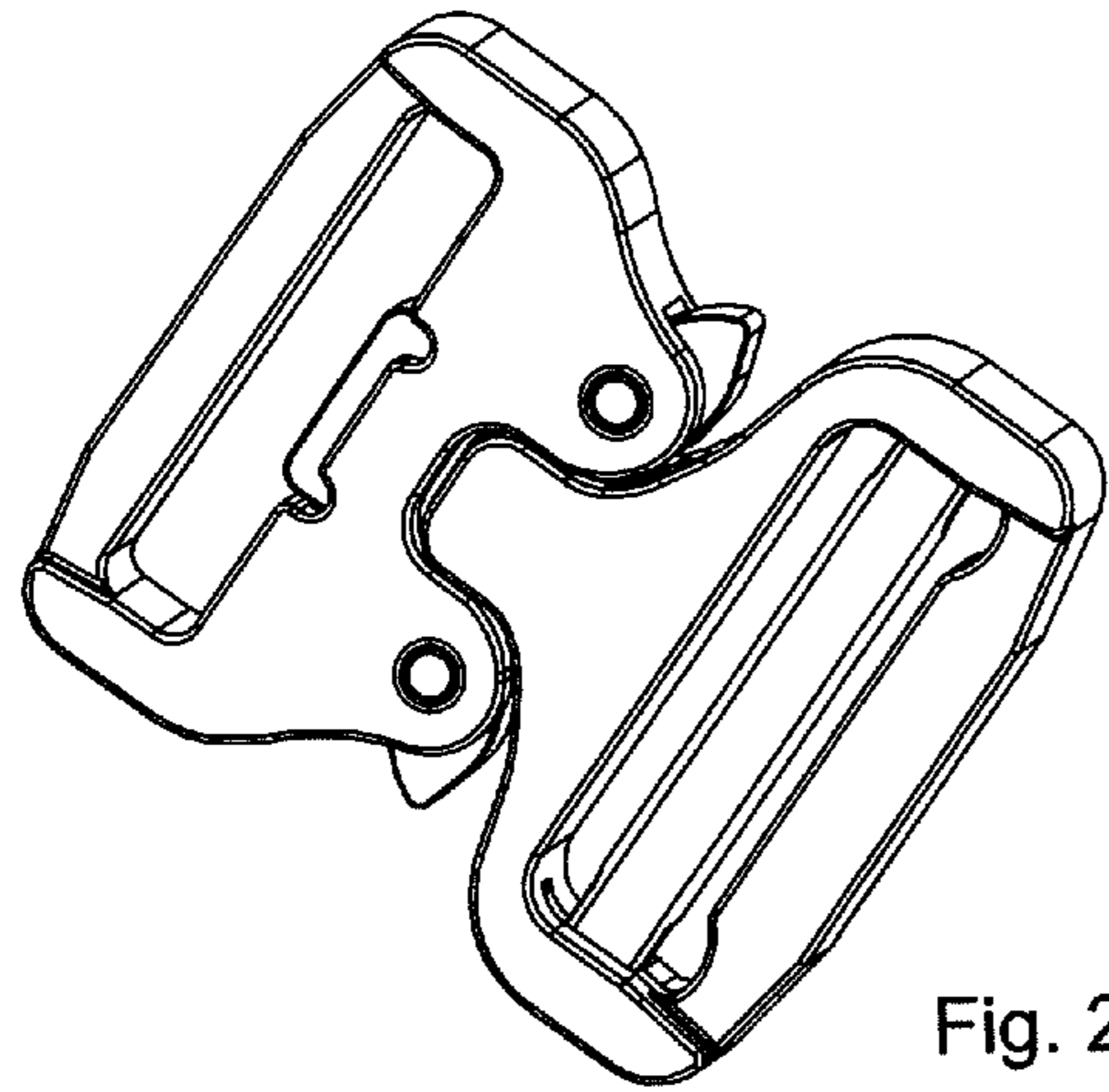


Fig. 2

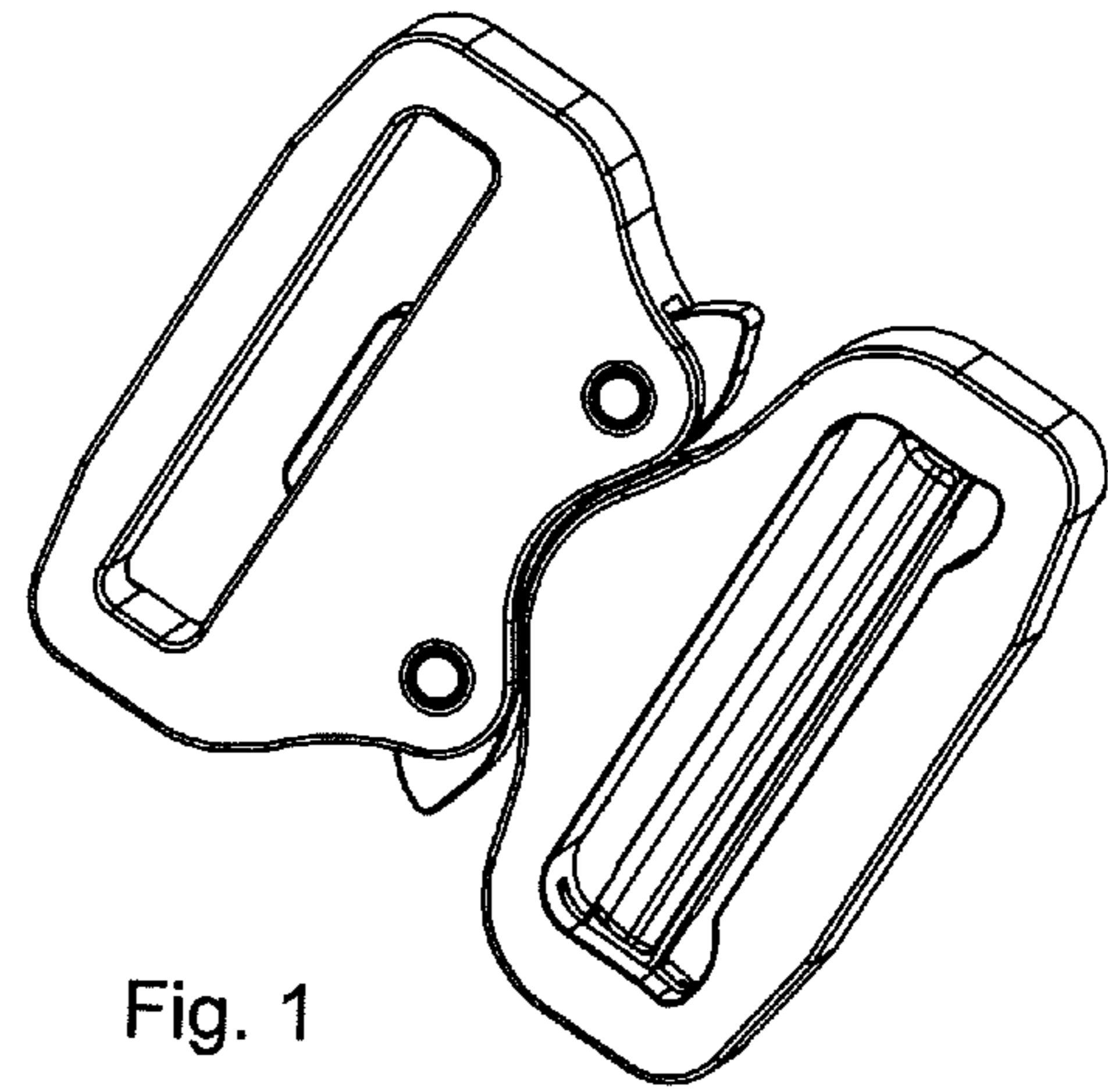


Fig. 1

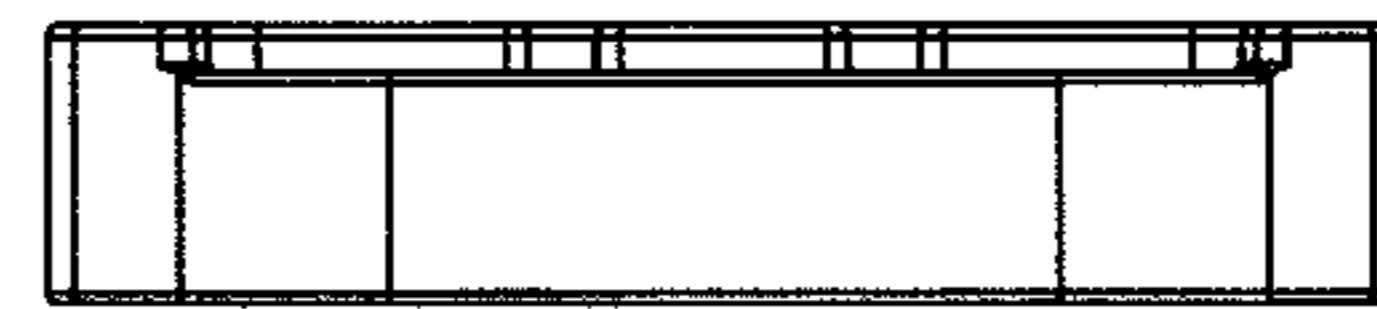


Fig. 7

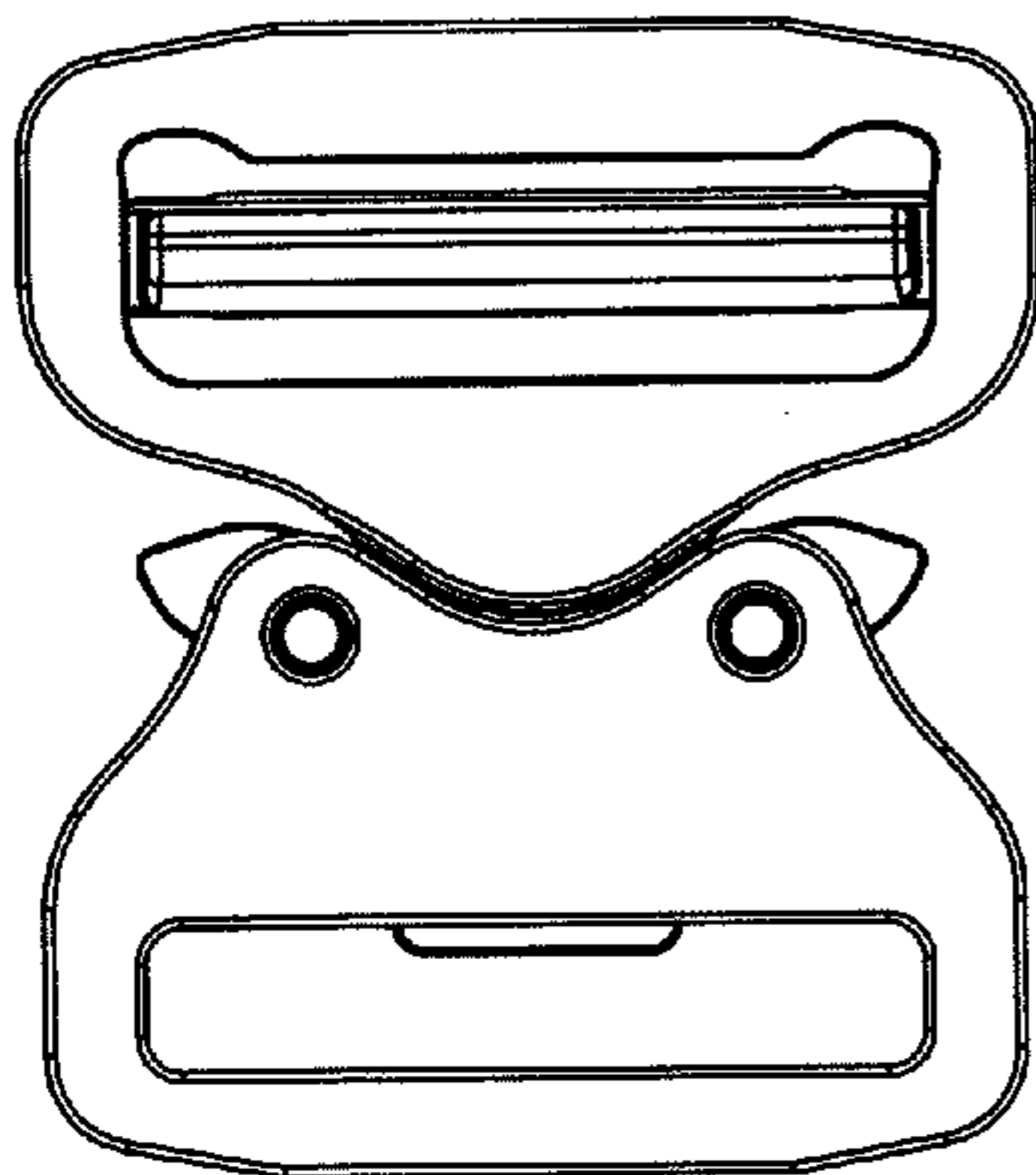


Fig. 3

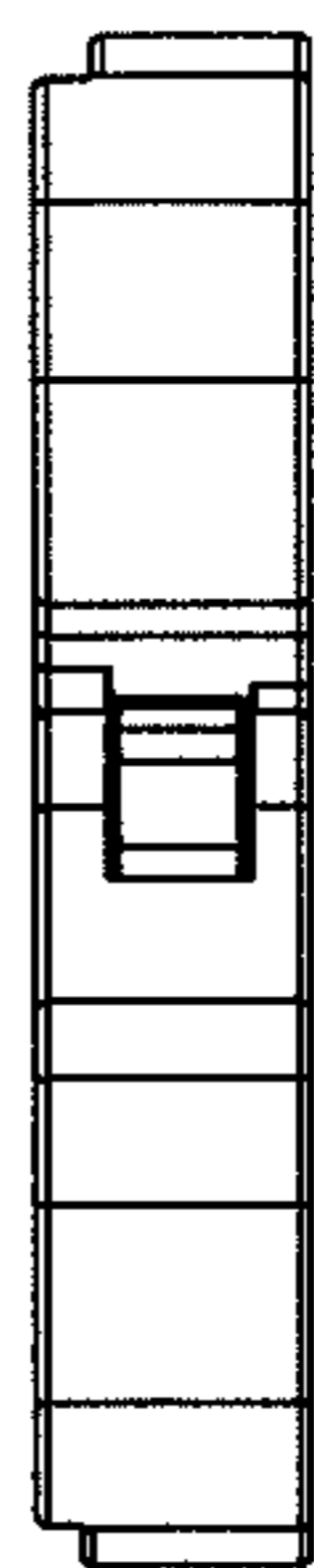


Fig. 4

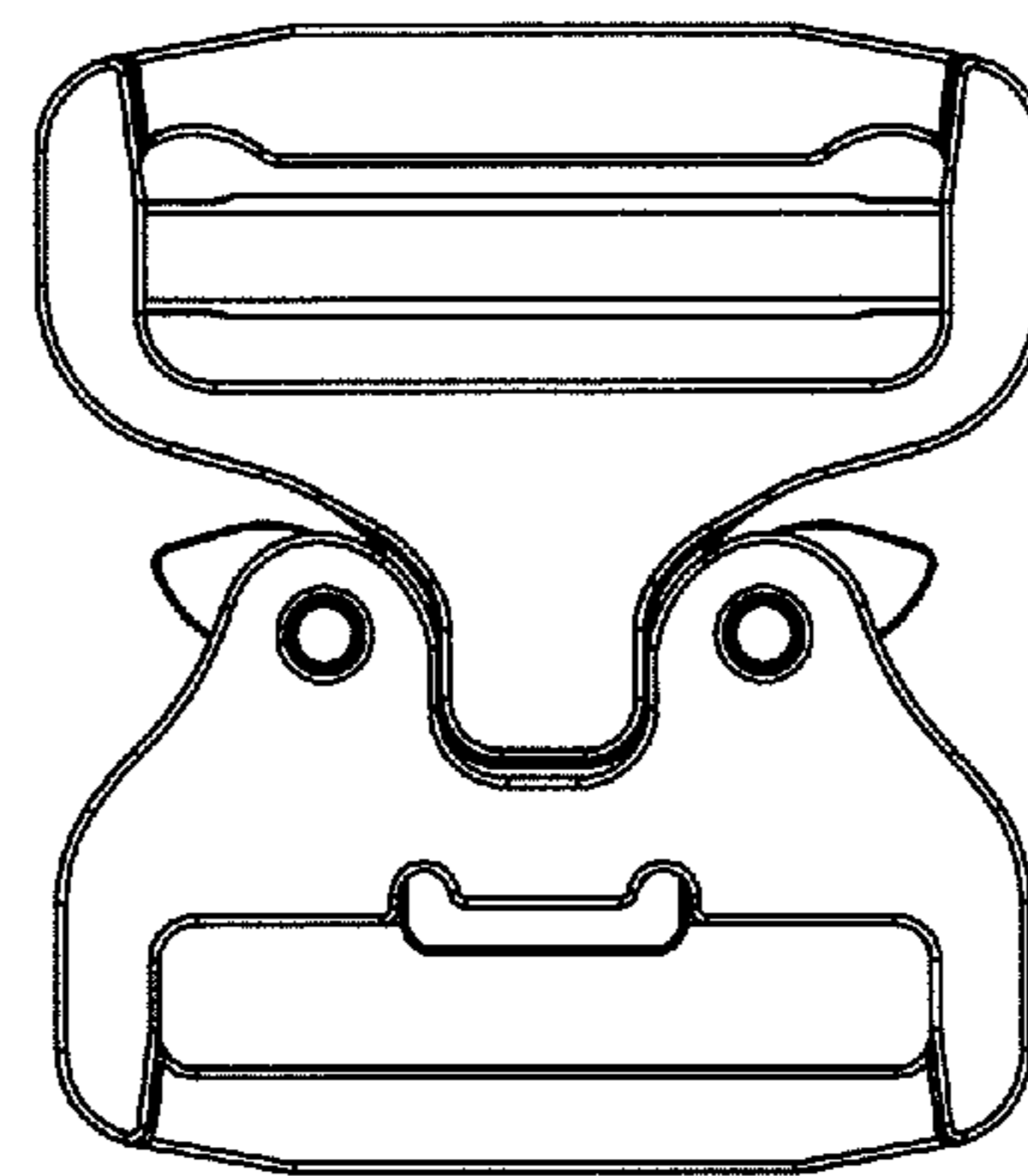


Fig. 5

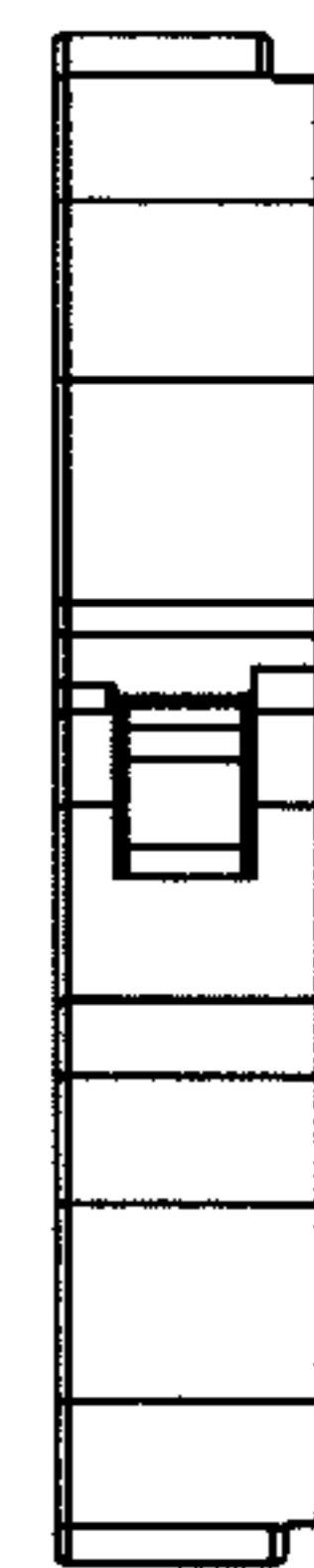


Fig. 6



Fig. 8

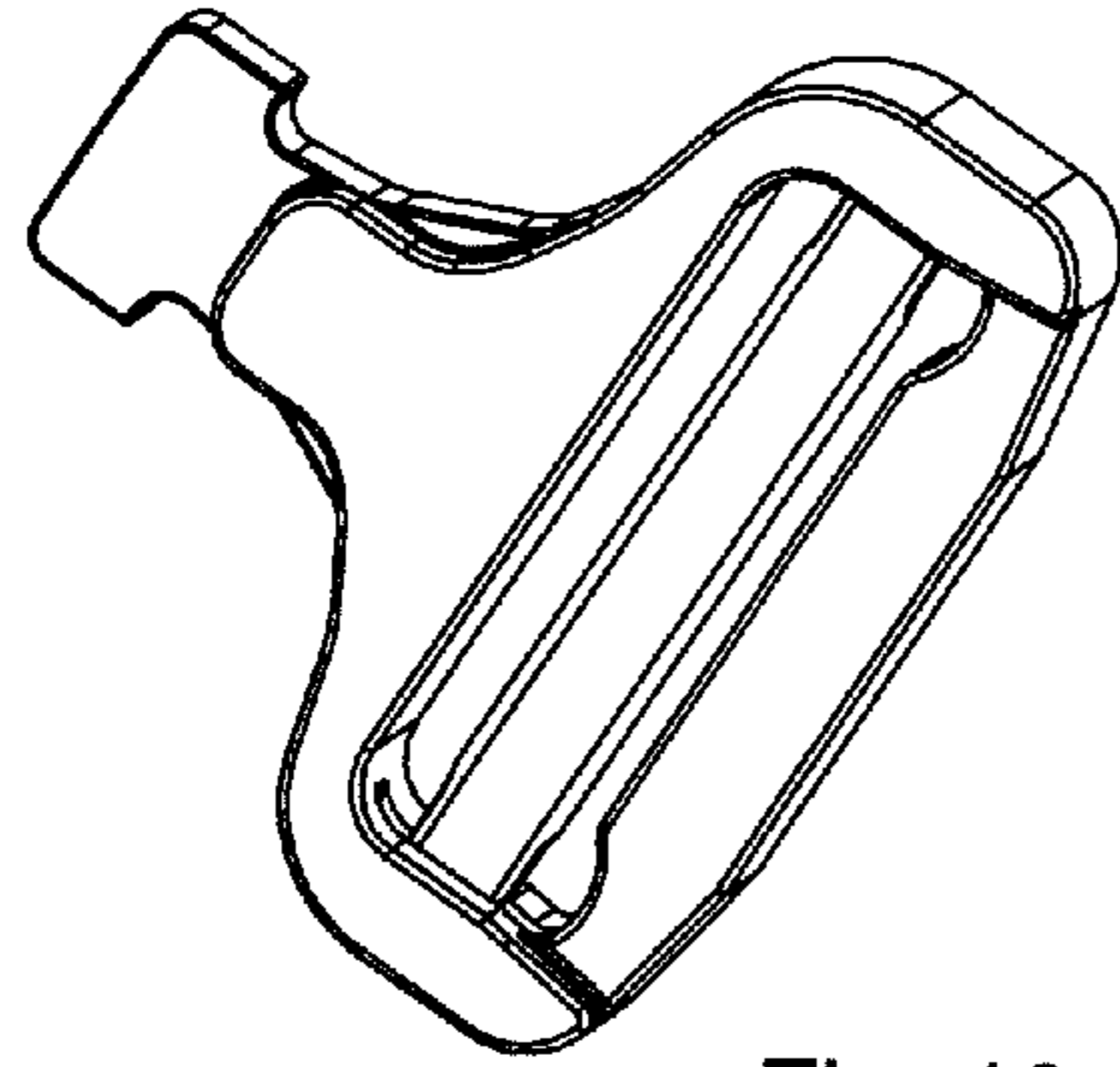


Fig. 10

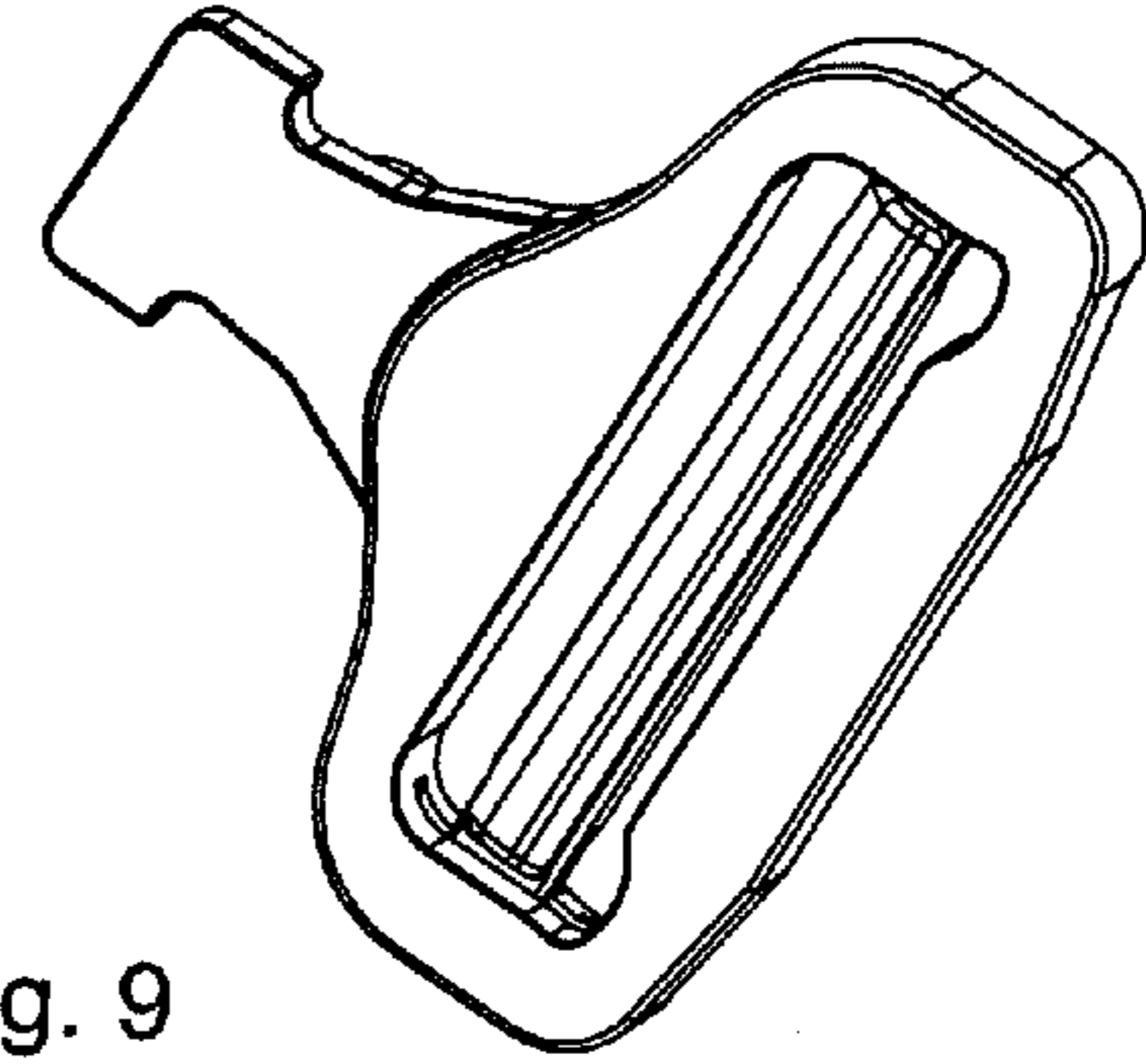


Fig. 9



Fig. 15

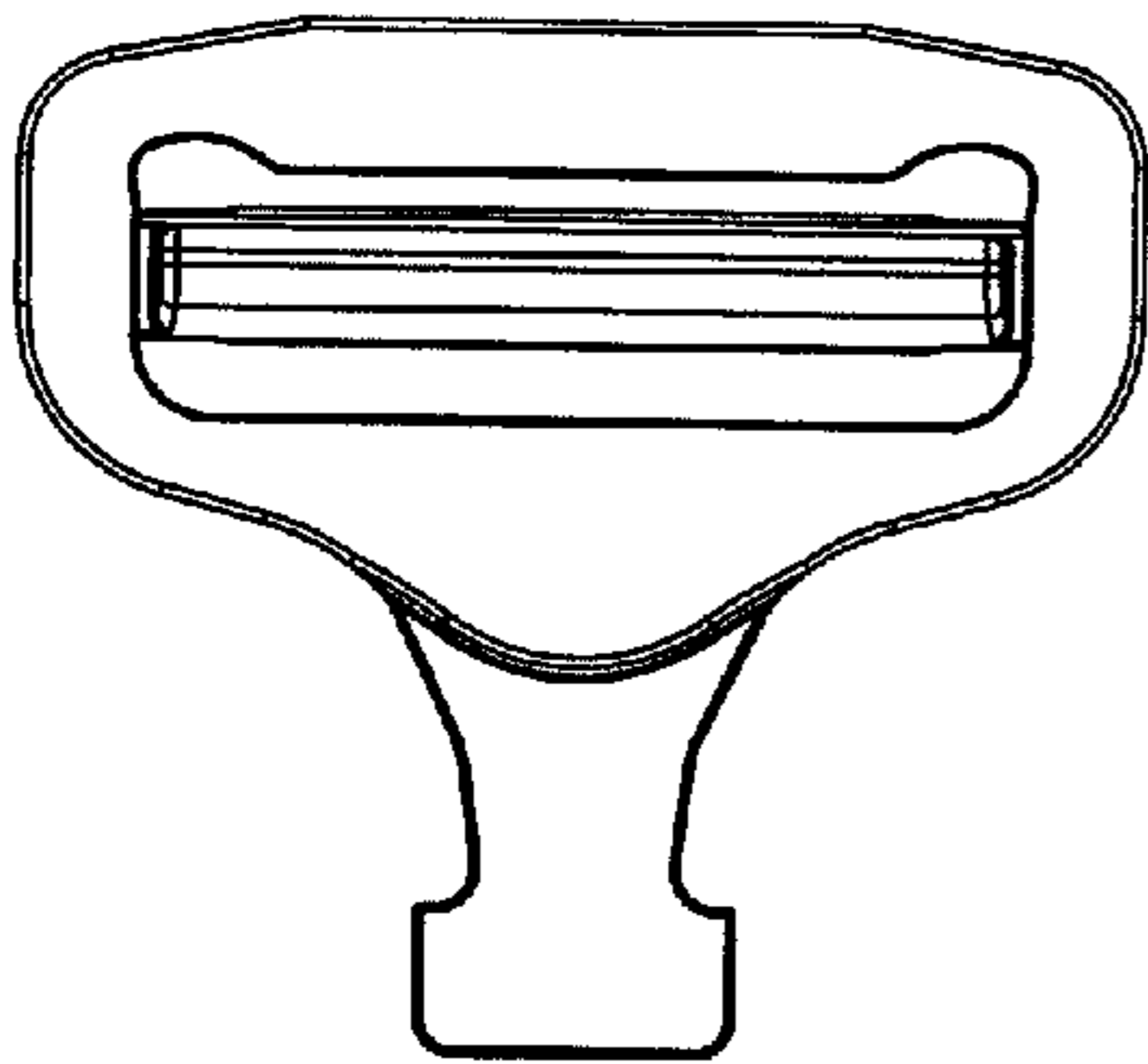


Fig. 11

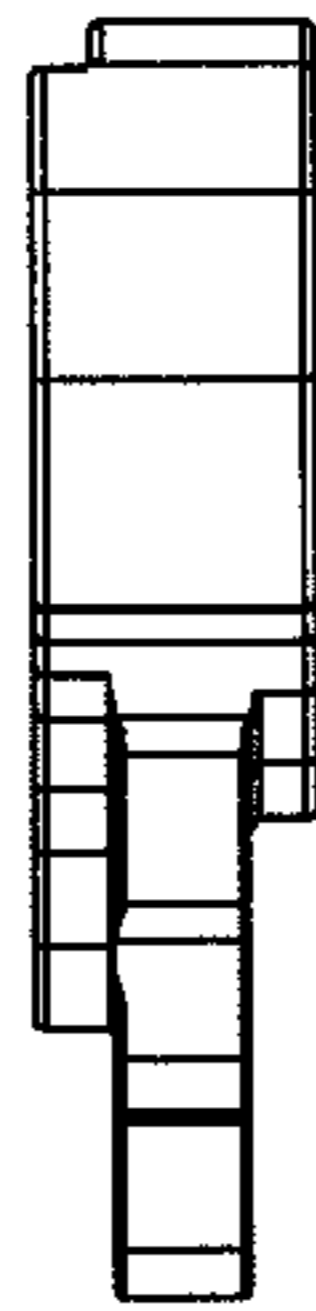


Fig. 12

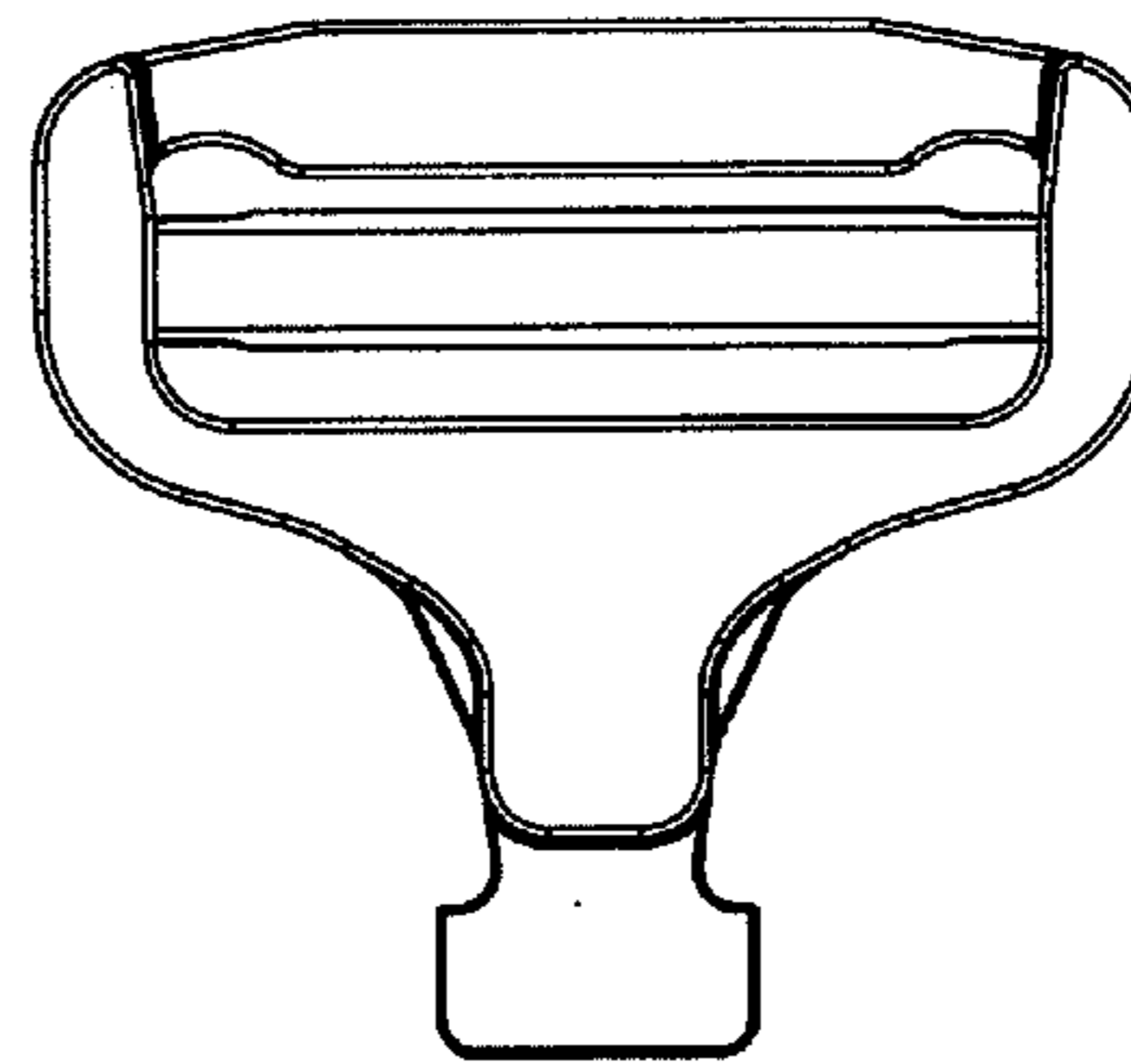


Fig. 13

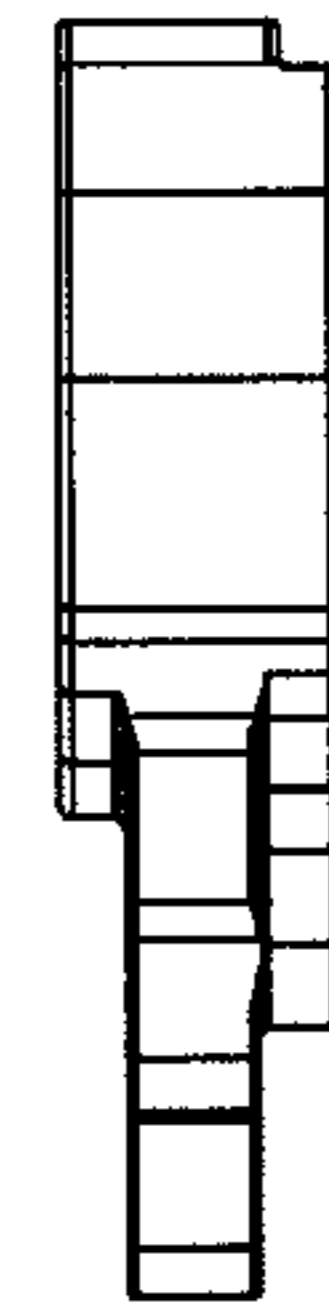


Fig. 14



Fig. 16

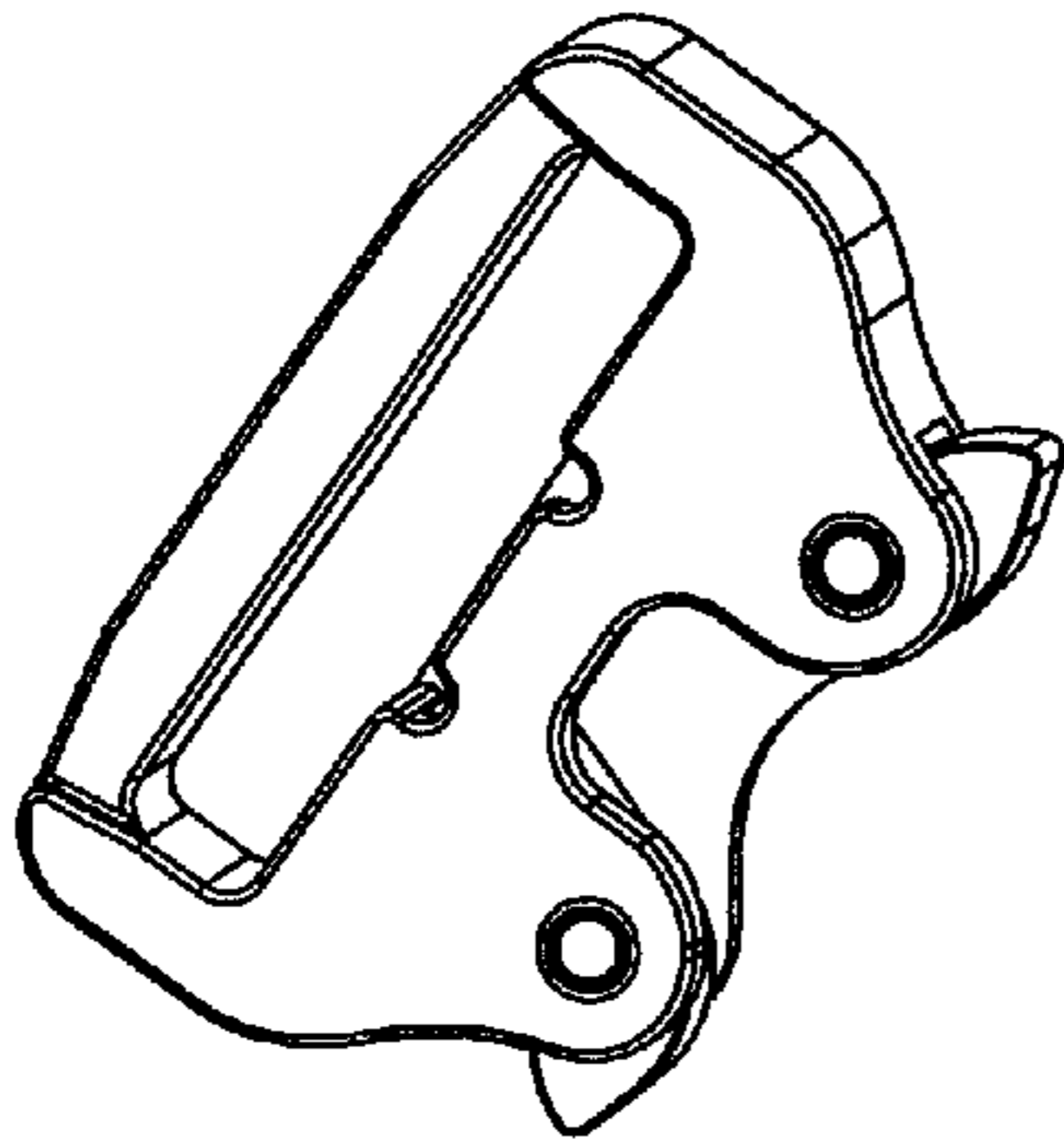


Fig. 18

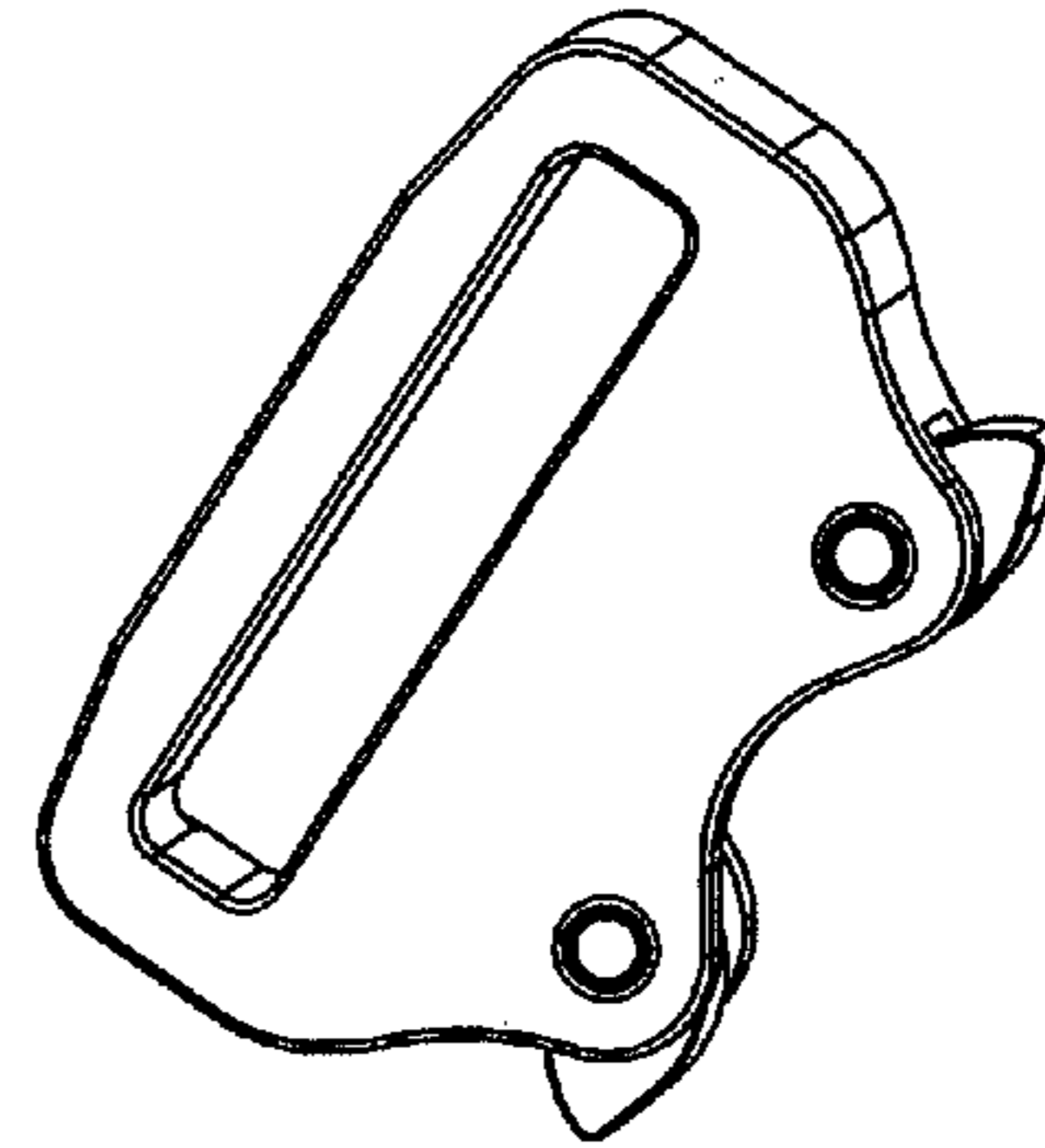


Fig. 17



Fig. 23

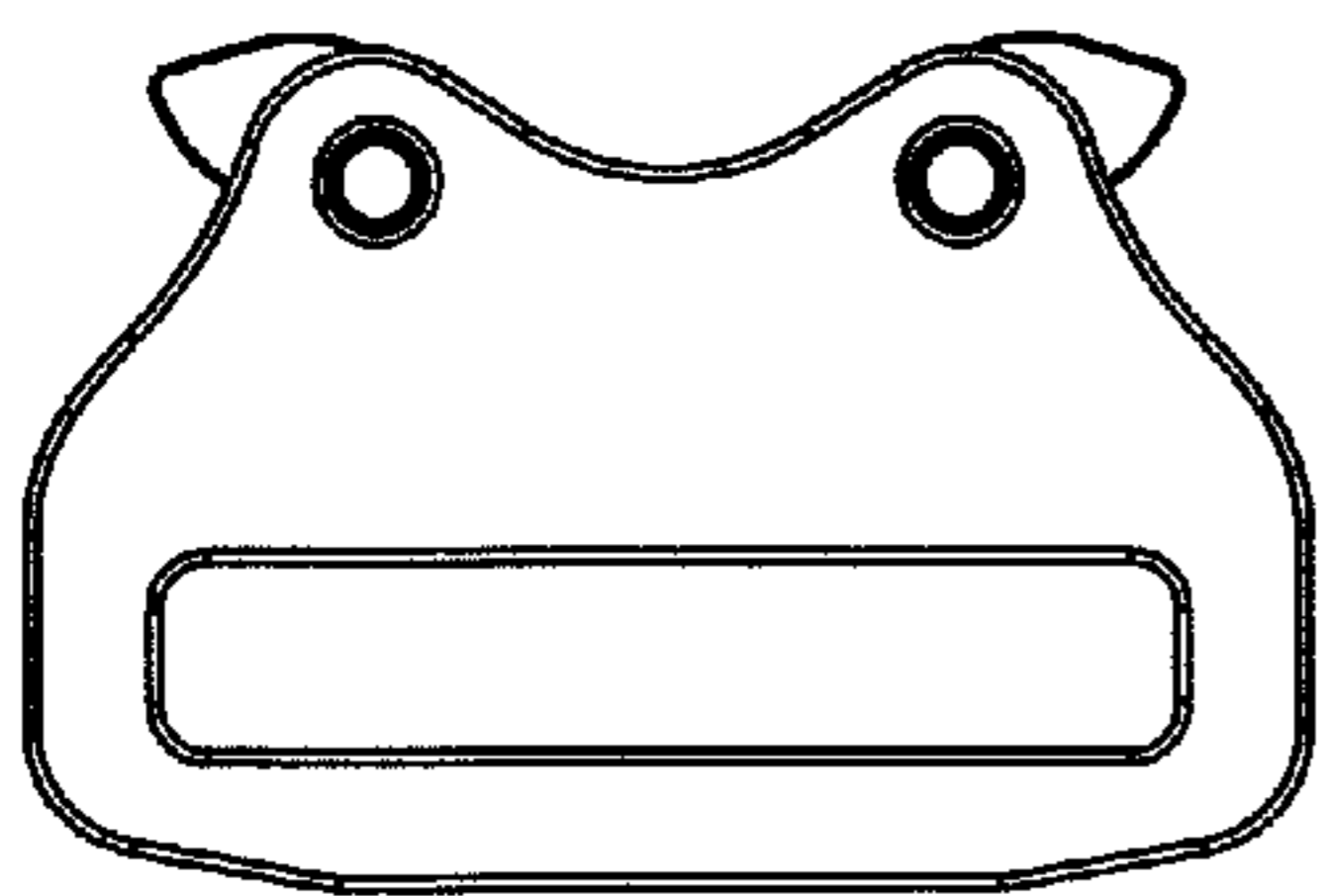


Fig. 19



Fig. 20

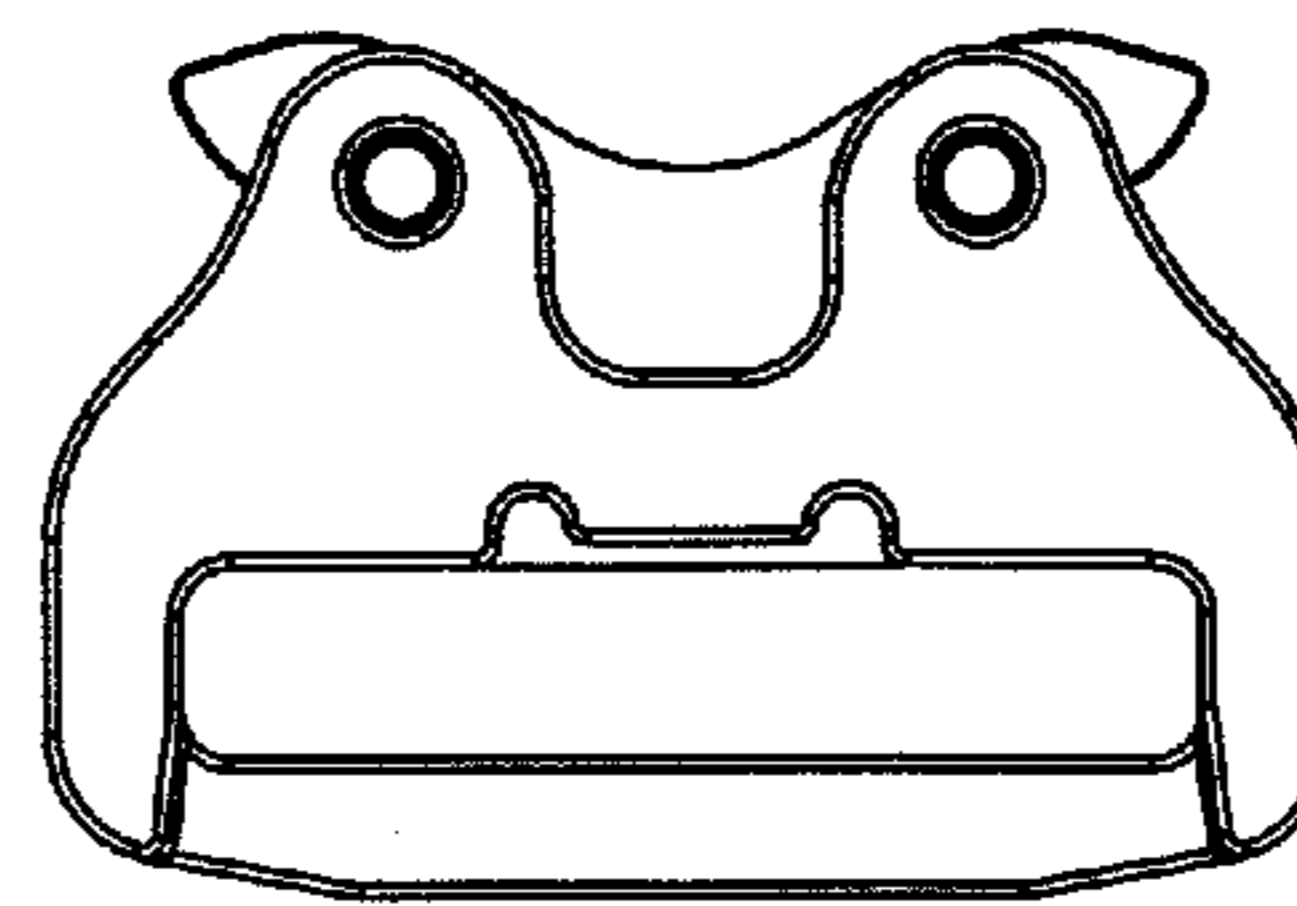


Fig. 21



Fig. 22

Fig. 24

