



US00D621741S

(12) **United States Design Patent**
Vogt

(10) **Patent No.:** **US D621,741 S**
(45) **Date of Patent:** **** Aug. 17, 2010**

(54) **REVOLVING PLANT BASKET HANGER**

DESCRIPTION

(76) Inventor: **Paul Andrew Vogt**, 1058 Ottawa Ave.,
W. St. Paul, MN (US) 55118

(**) Term: **14 Years**

(21) Appl. No.: **29/316,728**

(22) Filed: **Oct. 26, 2009**

(51) **LOC (9) Cl.** **11-02**

(52) **U.S. Cl.** **D11/164; D11/148**

(58) **Field of Classification Search** D6/403-406,
D6/556-558; D8/1; D11/143-156, 164;
D19/77, 80-82, 84; D23/355, 356; D25/100;
D26/9-11, 16, 20, 22; D34/1, 2, 4-6; D99/5,
D99/19; 47/32.4, 32.5, 32.7, 33, 39, 41.01,
47/41.1, 41.11-41.15, 42-47, 65, 65.5, 65.9,
47/66.1, 66.6, 66.7, 67-71

See application file for complete search history.

(56) **References Cited**

U.S. PATENT DOCUMENTS

| | | | | |
|--------------|------|---------|-------------------|---------|
| 3,943,661 | A * | 3/1976 | DeVito et al. | 47/67 |
| 4,235,407 | A * | 11/1980 | Haas | 47/67 |
| D274,583 | S * | 7/1984 | Lafferty | D11/148 |
| D283,992 | S * | 5/1986 | Tendrup et al. | D11/148 |
| 4,592,166 | A * | 6/1986 | Tendrup et al. | 47/67 |
| 4,744,171 | A * | 5/1988 | Hilliard | 47/67 |
| D367,737 | S * | 3/1996 | McNaughton et al. | D30/133 |
| 5,779,210 | A * | 7/1998 | Canson et al. | 47/67 |
| D436,840 | S * | 1/2001 | Vogt | D8/373 |
| 7,013,601 | B2 * | 3/2006 | Liffers et al. | 47/67 |
| D566,615 | S * | 4/2008 | Vogt | D11/148 |
| 7,610,717 | B2 * | 11/2009 | Luken et al. | 47/67 |
| 2005/0077445 | A1 * | 4/2005 | Vogt | 47/67 |

* cited by examiner

Primary Examiner—Garth Rademaker

(57) **CLAIM**

The ornamental design for revolving plant basket hanger, as shown and described.

FIG. 1 is a front perspective view of a revolving plant basket hanger, showing my new design, wherein the broken line showing of a flowerpot forms no part of the claimed design;

FIG. 2 is an exploded front perspective view thereof, shown in an alternate position of use;

FIG. 3 is a top plan view thereof, shown at an enlarged scale;

FIG. 4 is a bottom plan view thereof, shown at an enlarged scale;

FIG. 5 is an exploded top plan view thereof, shown at an enlarged scale; and

FIG. 6 is an exploded bottom plan view thereof, shown at an enlarged scale, wherein broken line matter is environmental and forms no part of the claimed design.

FIG. 7 is an exploded front perspective view of a second embodiment of a revolving plant basket hanger;

FIG. 8 is a top plan view thereof, shown at an enlarged scale;

FIG. 9 is a bottom plan view thereof, shown at an enlarged scale;

FIG. 10 is an exploded top plan view thereof, shown at an enlarged scale, wherein broken line matter is environmental and forms no part of the claimed design; and

FIG. 11 is an exploded bottom plan view thereof, shown at an enlarged scale.

FIG. 12 is an exploded front perspective view of a third embodiment of a revolving plant basket hanger;

FIG. 13 is a top plan view thereof, shown at an enlarged scale;

FIG. 14 is a bottom plan view thereof, shown at an enlarged scale;

FIG. 15 is an exploded top plan view thereof, shown at an enlarged scale, and

FIG. 16 is an exploded bottom plan view thereof, shown at an enlarged scale, wherein broken line matter is environmental and forms no part of the claimed design.

FIG. 17 is an exploded front perspective view of a fourth embodiment of a revolving plant basket hanger;

FIG. 18 is a top plan view thereof, shown at an enlarged scale;

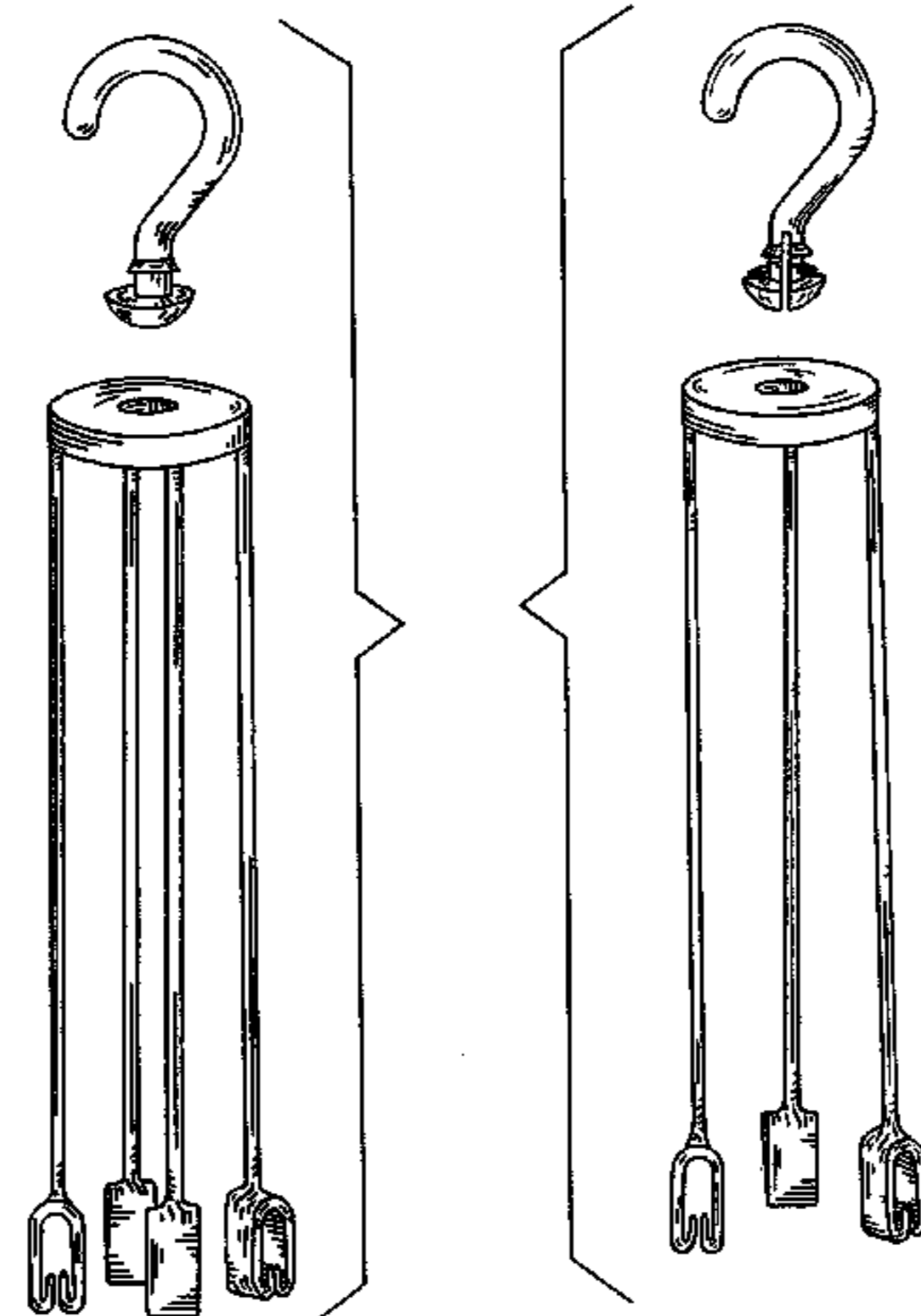


FIG. **19** is a bottom plan view thereof, shown at an enlarged scale;

FIG. **20** is an exploded top plan view thereof, shown at an enlarged scale, wherein broken line matter is environmental and forms no part of the claimed design; and

FIG. **21** is an exploded bottom plan view thereof, shown at an enlarged scale.

FIG. **22** is an exploded front perspective view of a fifth embodiment of a revolving plant basket hanger;

FIG. **23** is a top plan view thereof, shown at an enlarged scale;

FIG. **24** is a bottom plan view thereof, shown at an enlarged scale;

FIG. **25** is an exploded top plan view thereof, shown at an enlarged scale, wherein broken line matter is environmental and forms no part of the claimed design; and

FIG. **26** is an exploded bottom plan view thereof, shown at an enlarged scale.

FIG. **27** is an exploded front perspective view of a sixth embodiment of a revolving plant basket hanger;

FIG. **28** is a top plan view thereof, shown at an enlarged scale;

FIG. **29** is a bottom plan view thereof, shown at an enlarged scale;

FIG. **30** is an exploded top plan view thereof, shown at an enlarged scale, wherein broken line matter is environmental and forms no part of the claimed design; and,

FIG. **31** is an exploded bottom plan view thereof, shown at an enlarged scale.

1 Claim, 12 Drawing Sheets

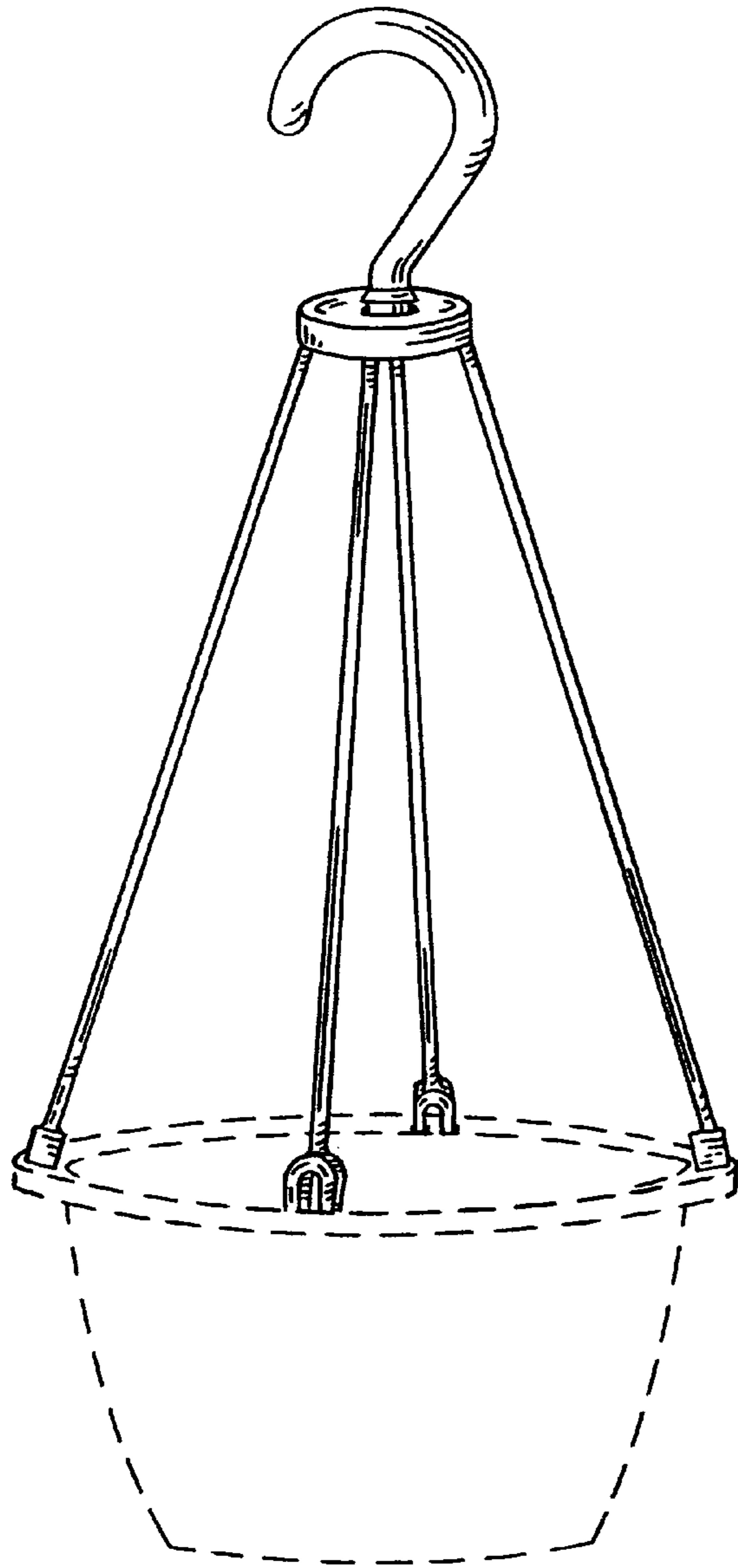


FIG. 1

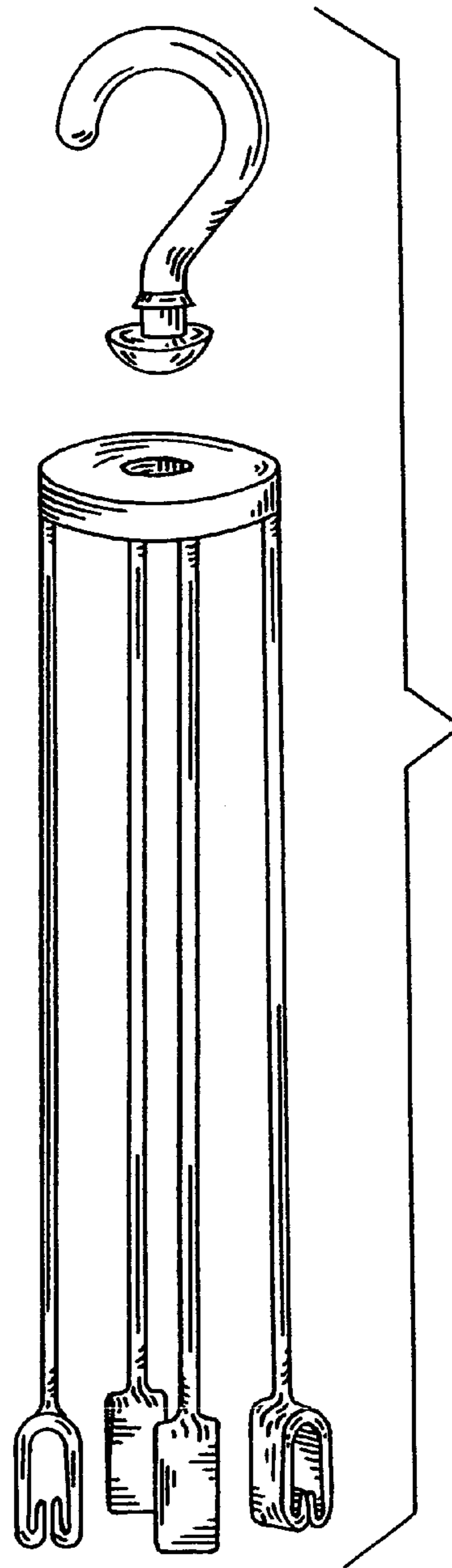


FIG. 2

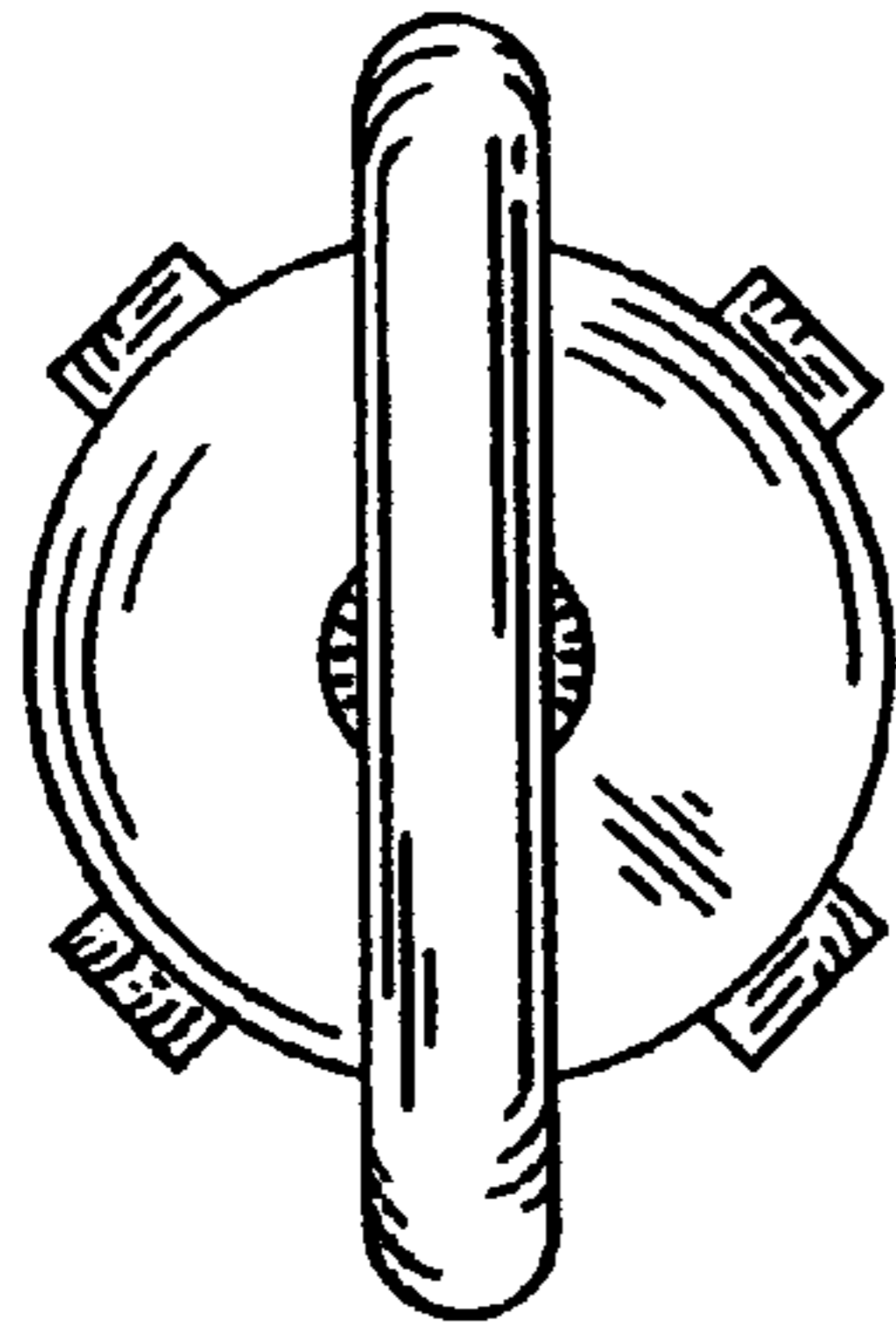


FIG. 3

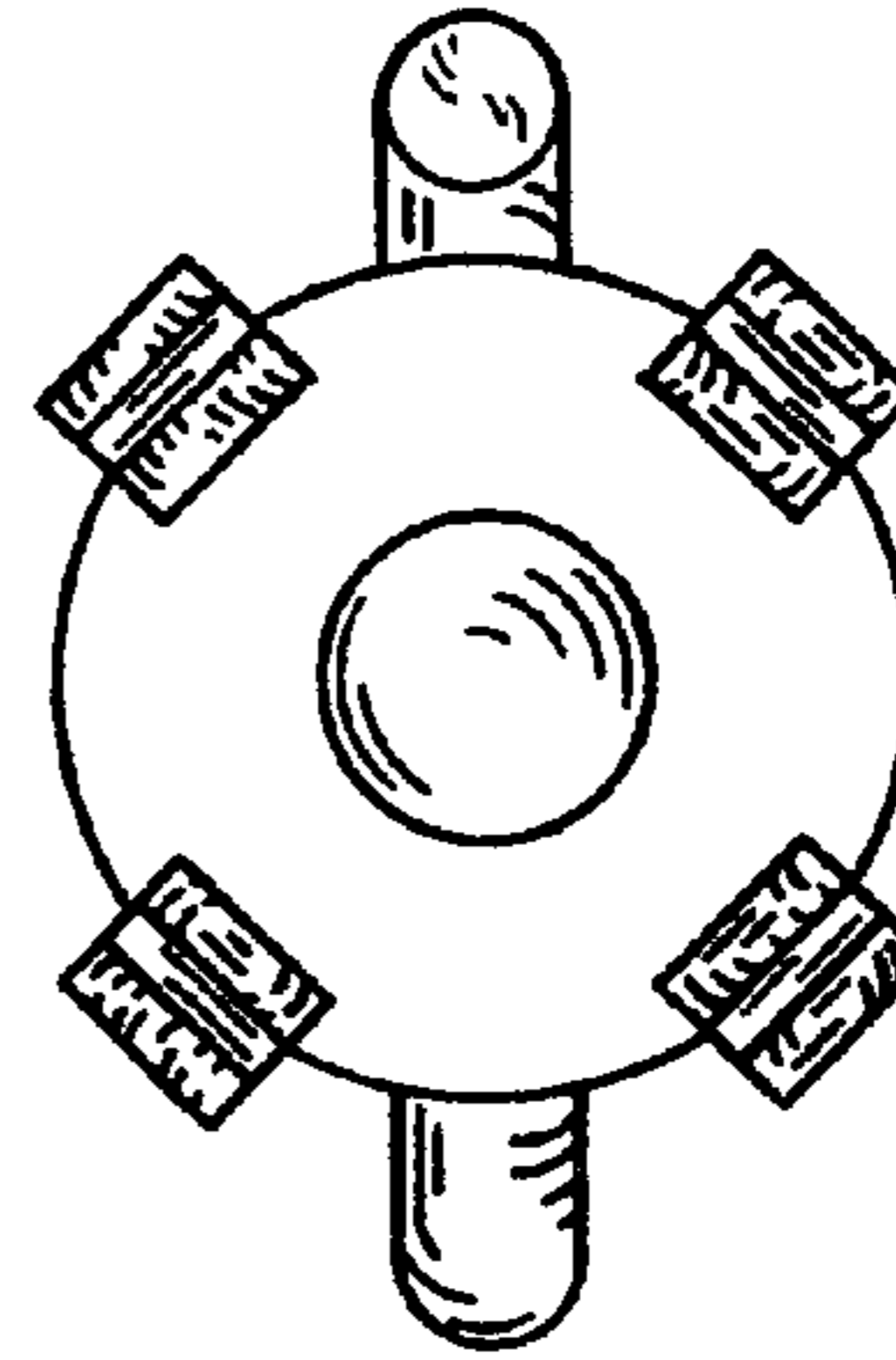


FIG. 4

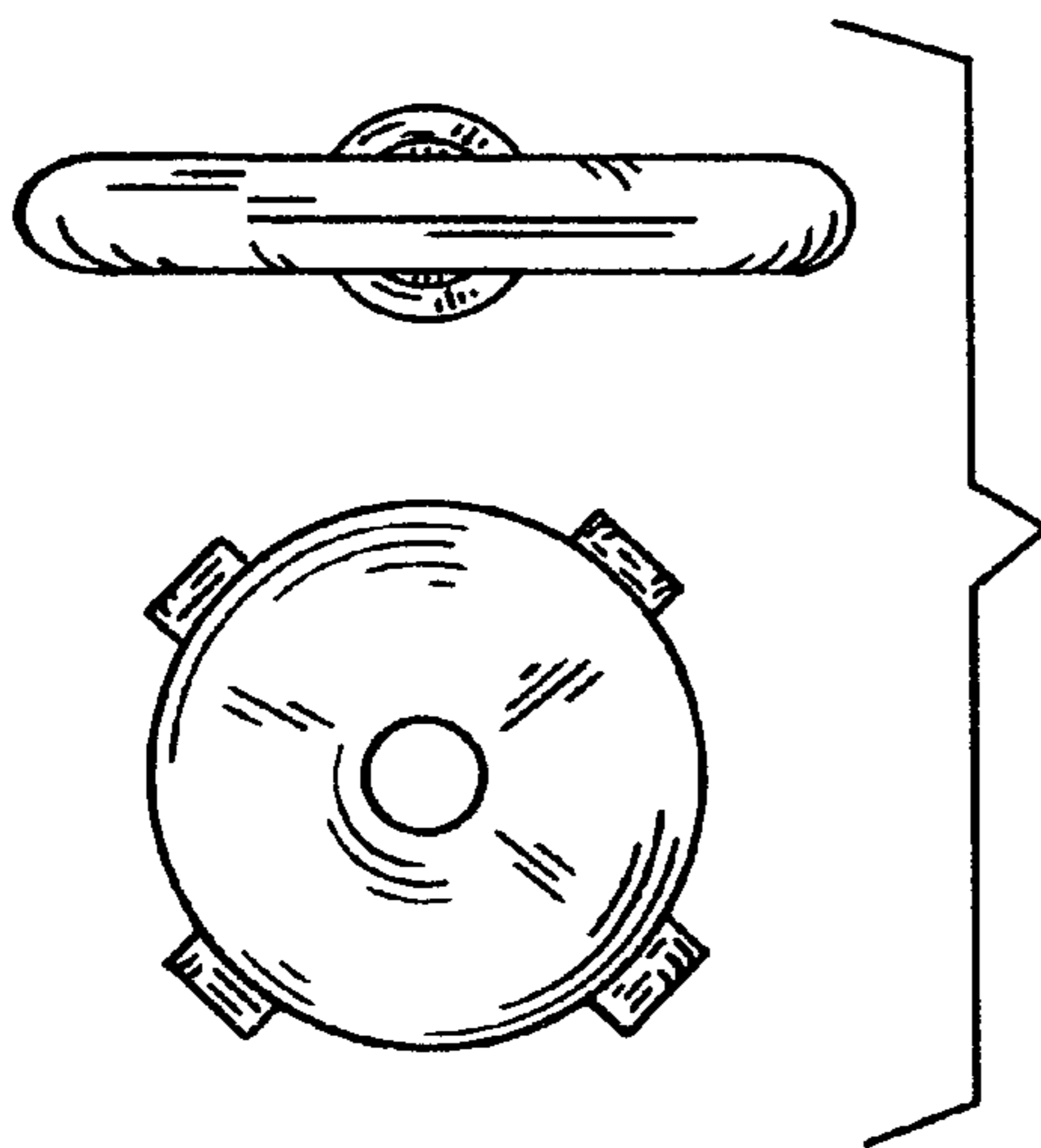


FIG. 5

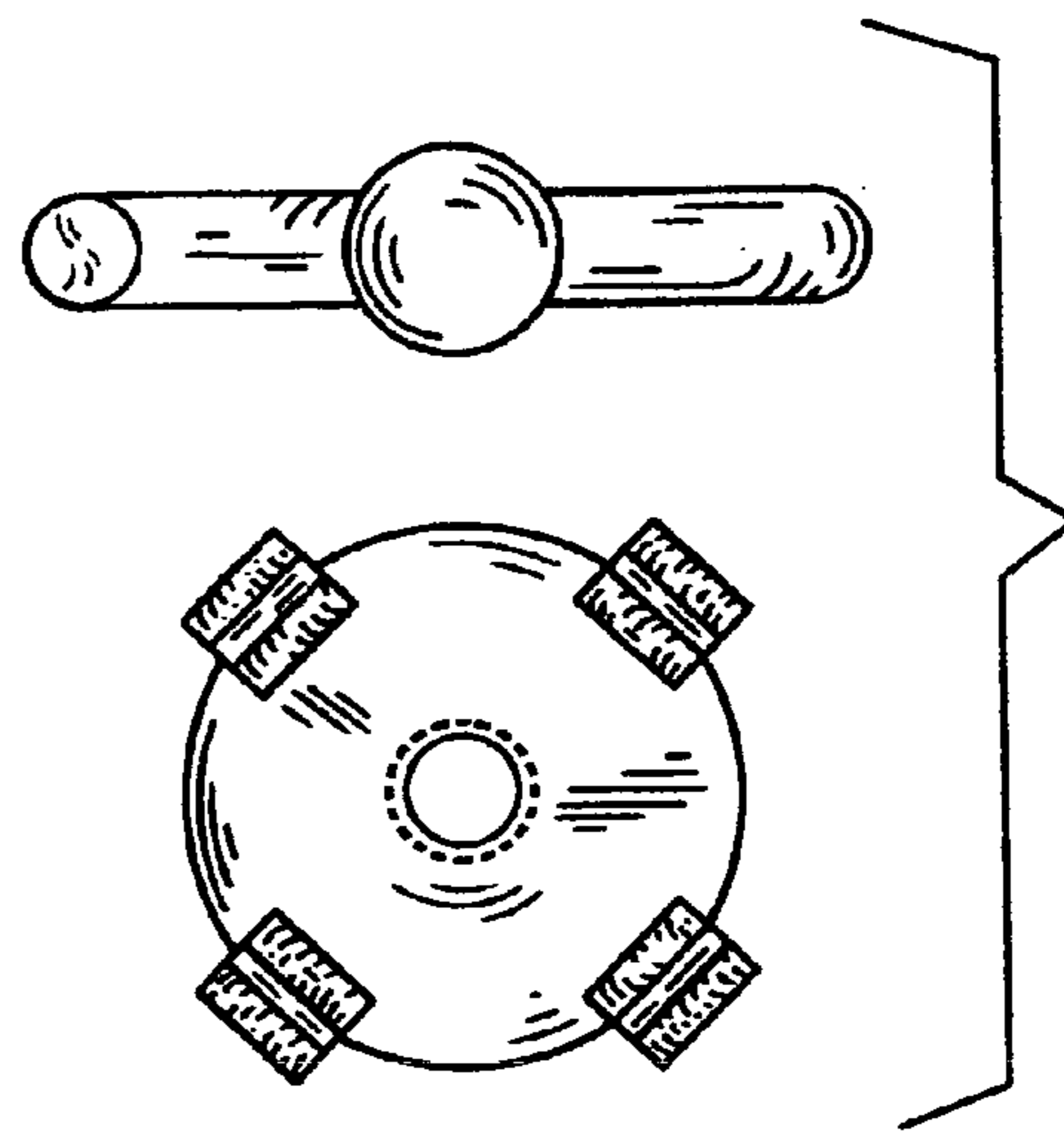


FIG. 6

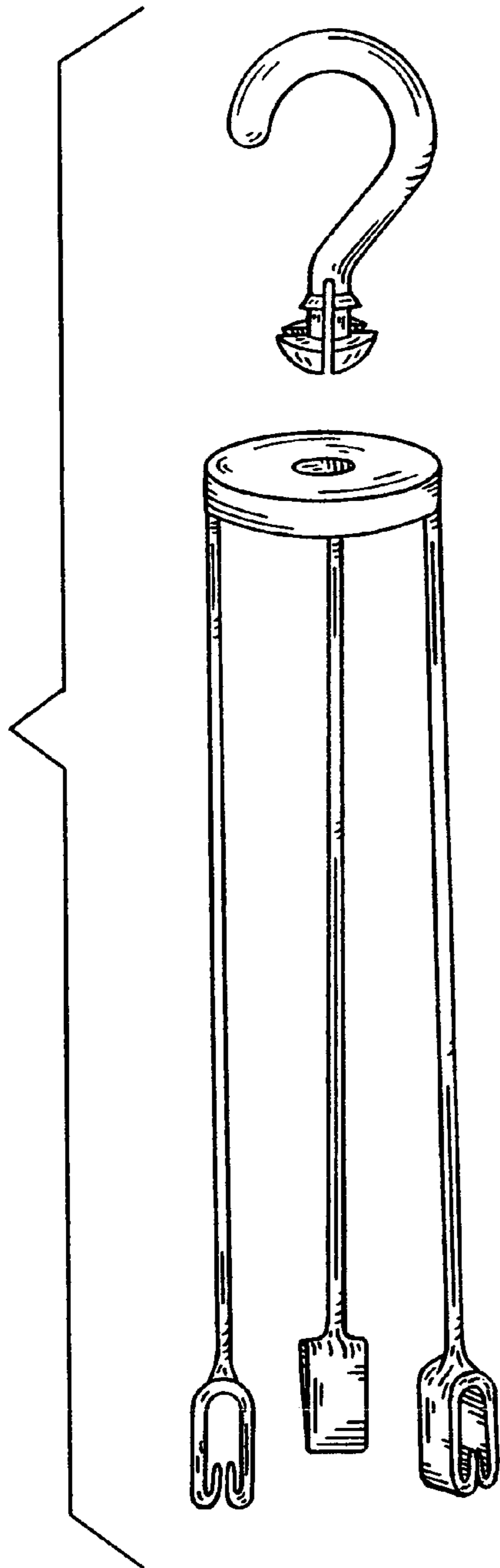


FIG. 7

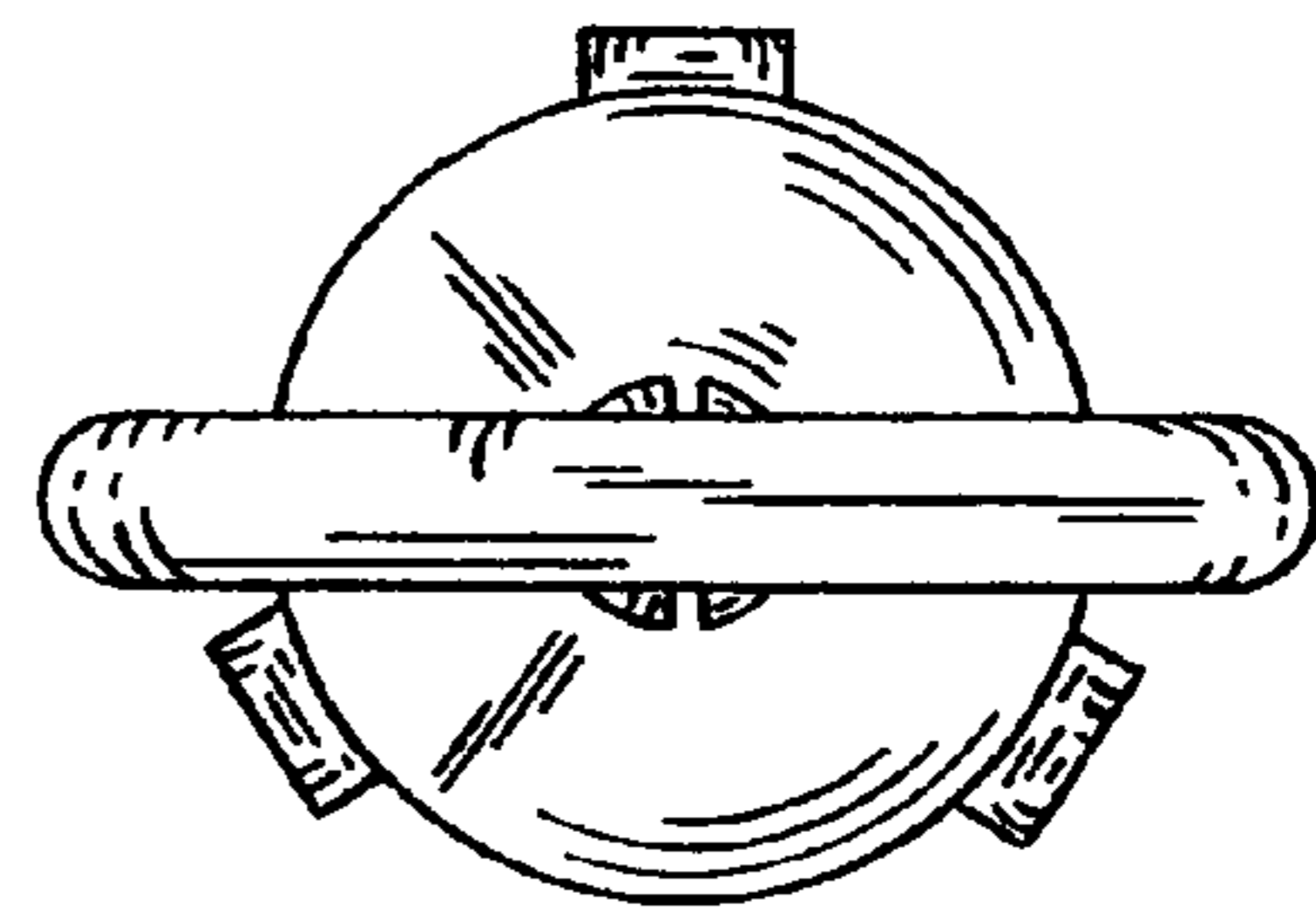


FIG. 8

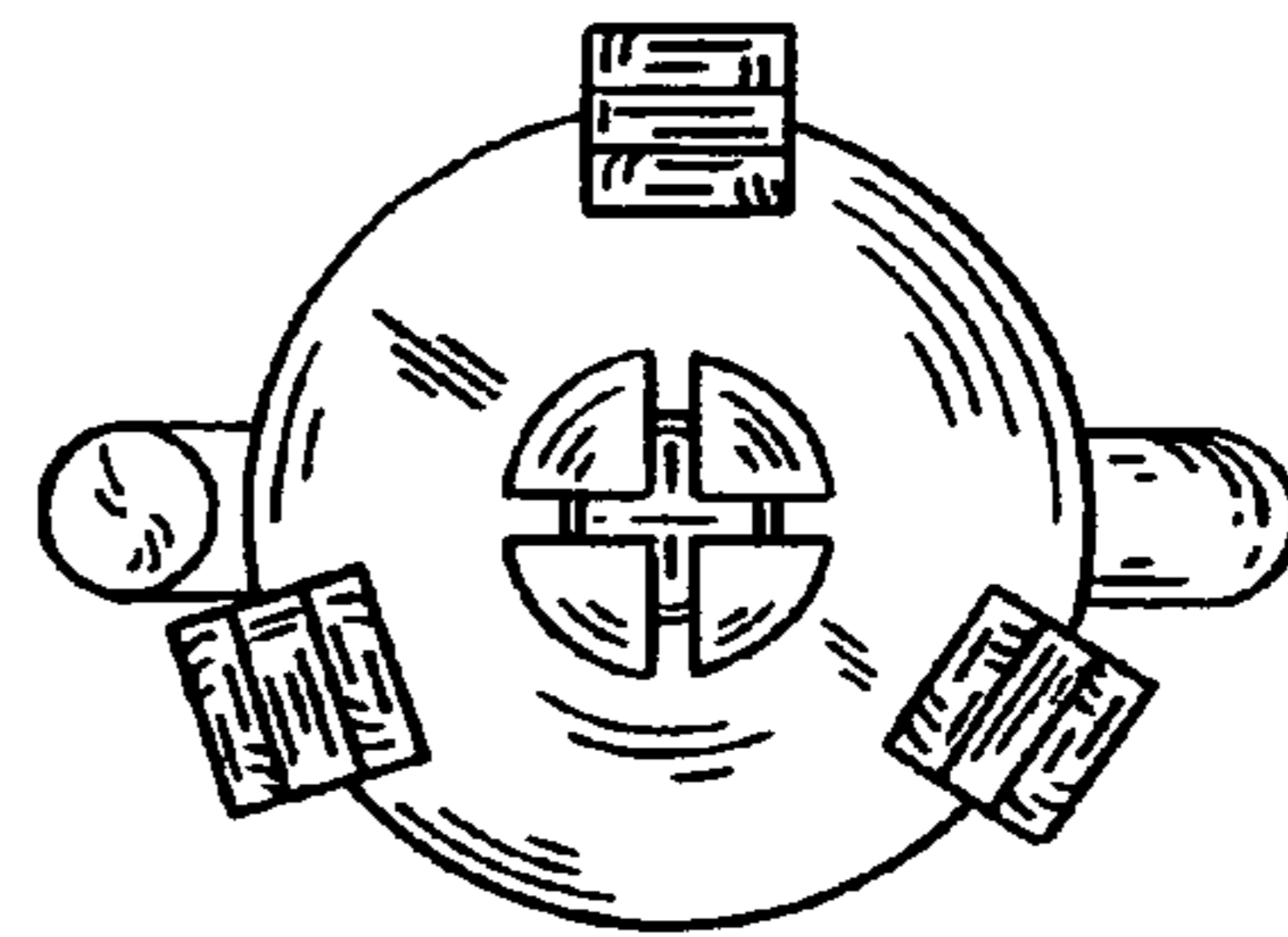


FIG. 9

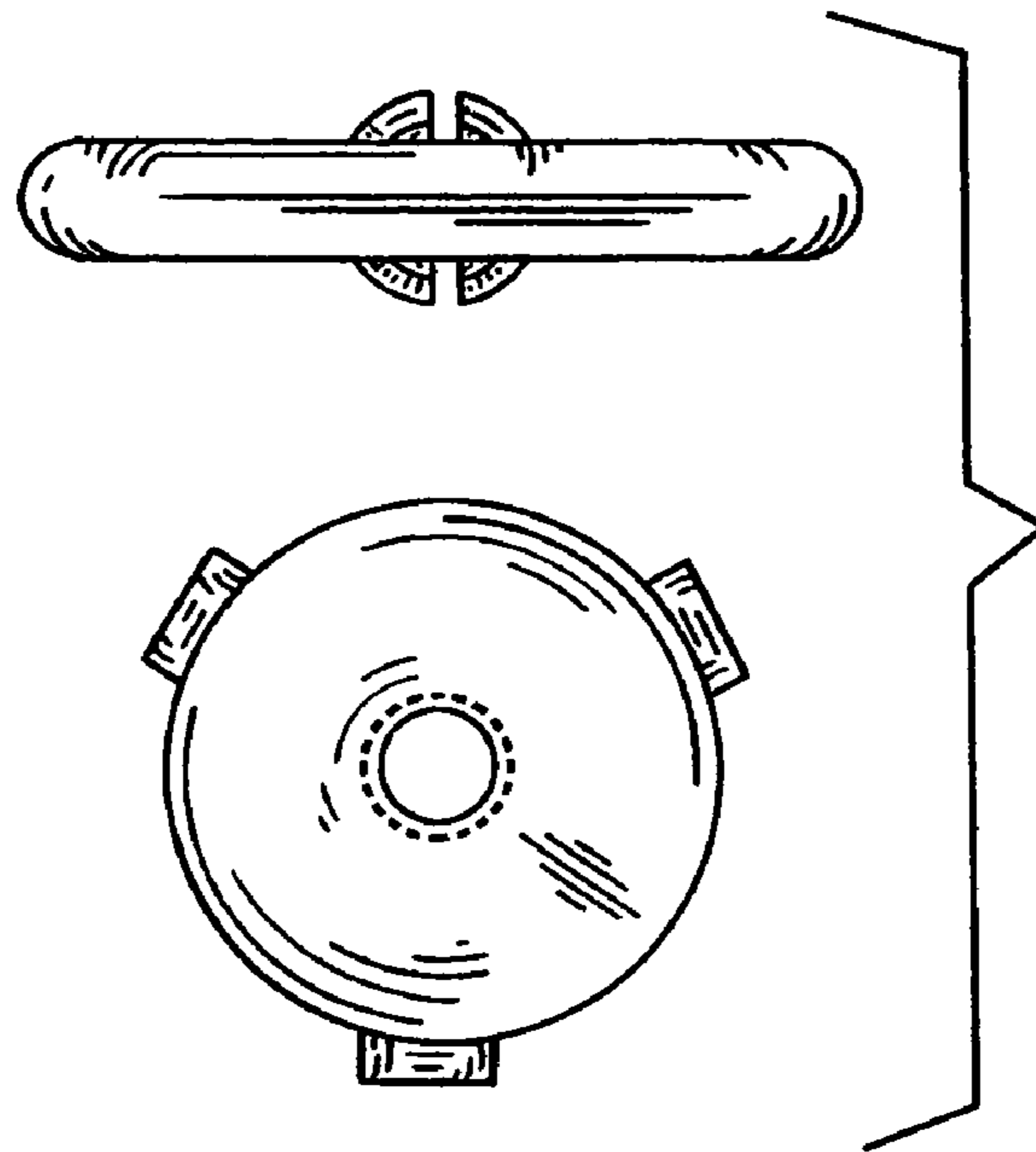


FIG. 10

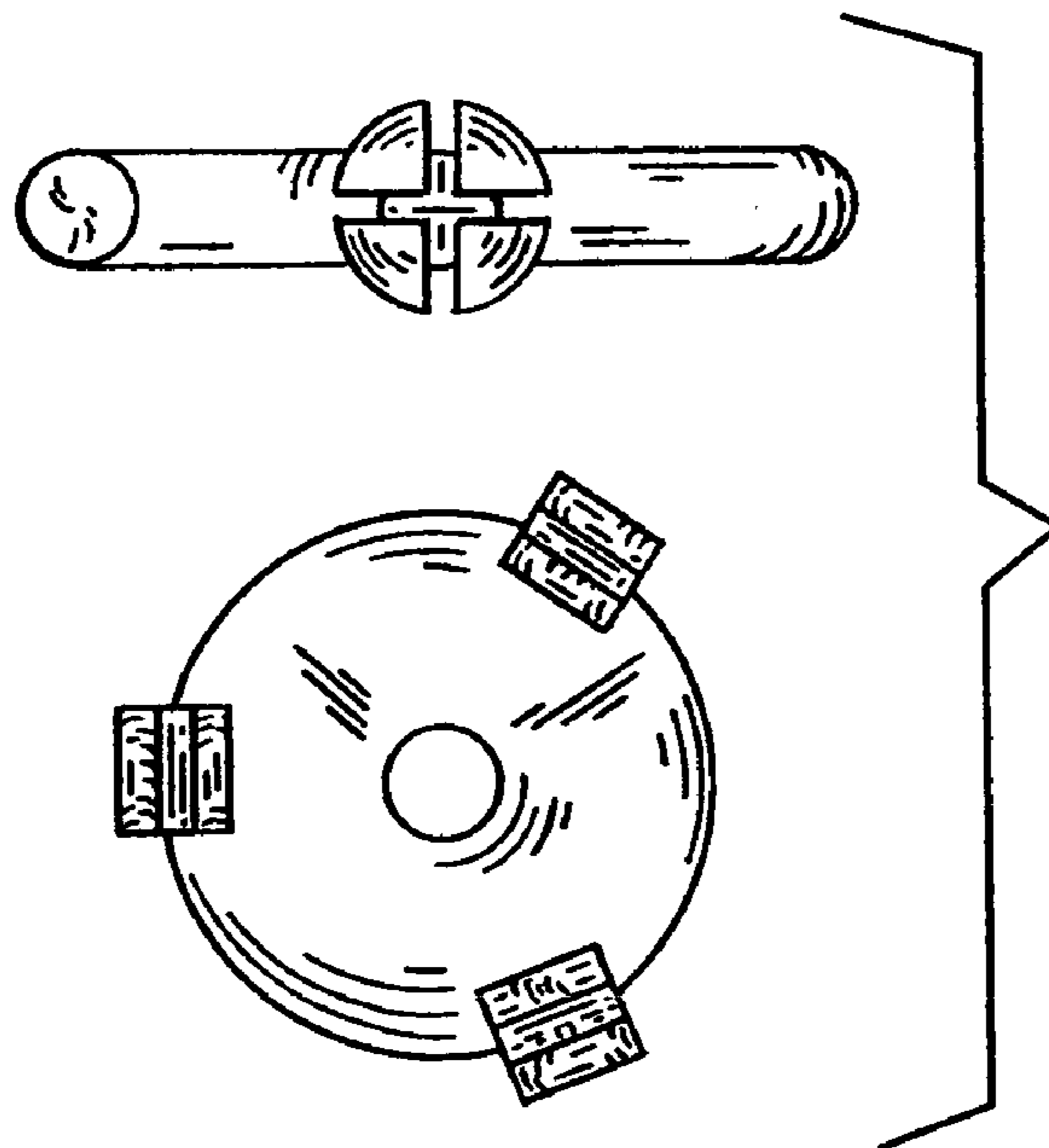


FIG. 11

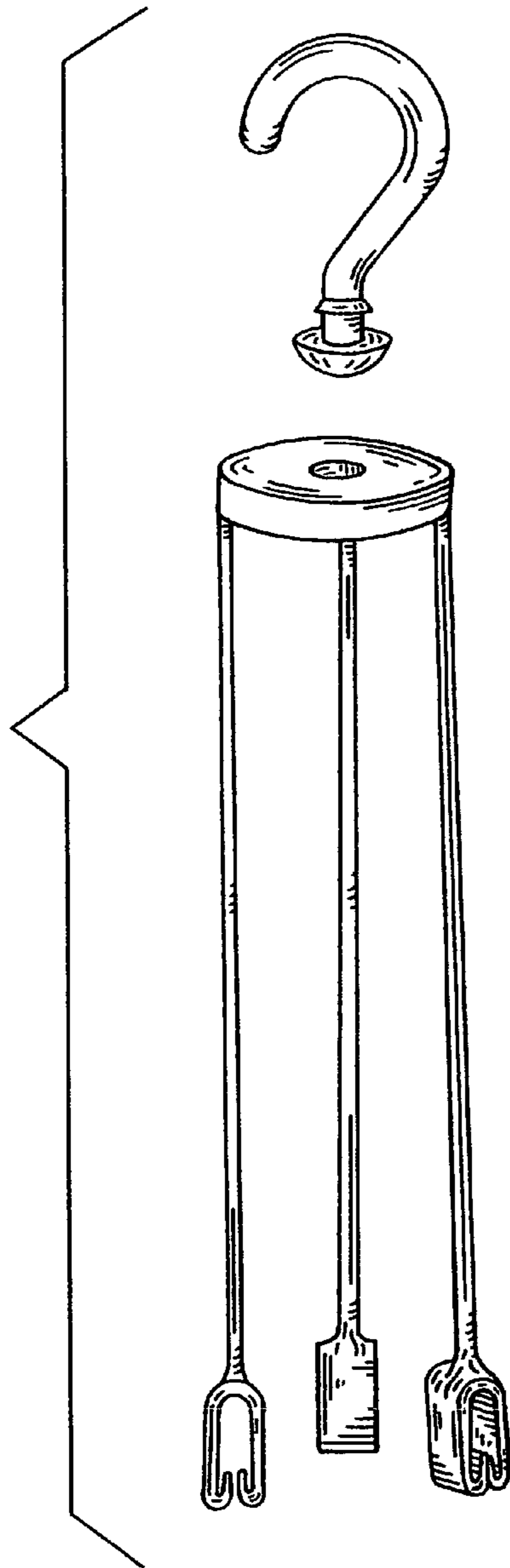


FIG. 12

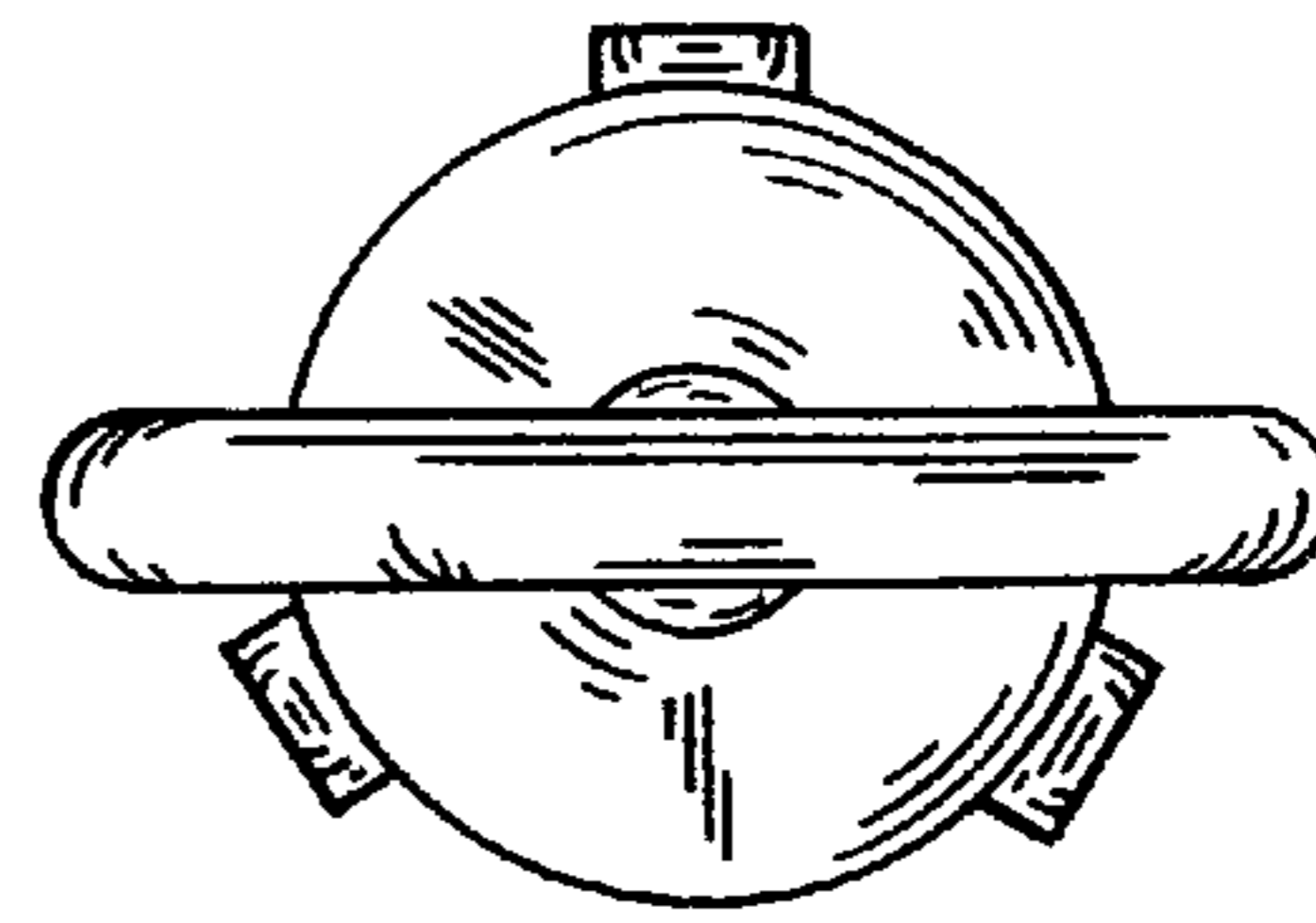


FIG. 13

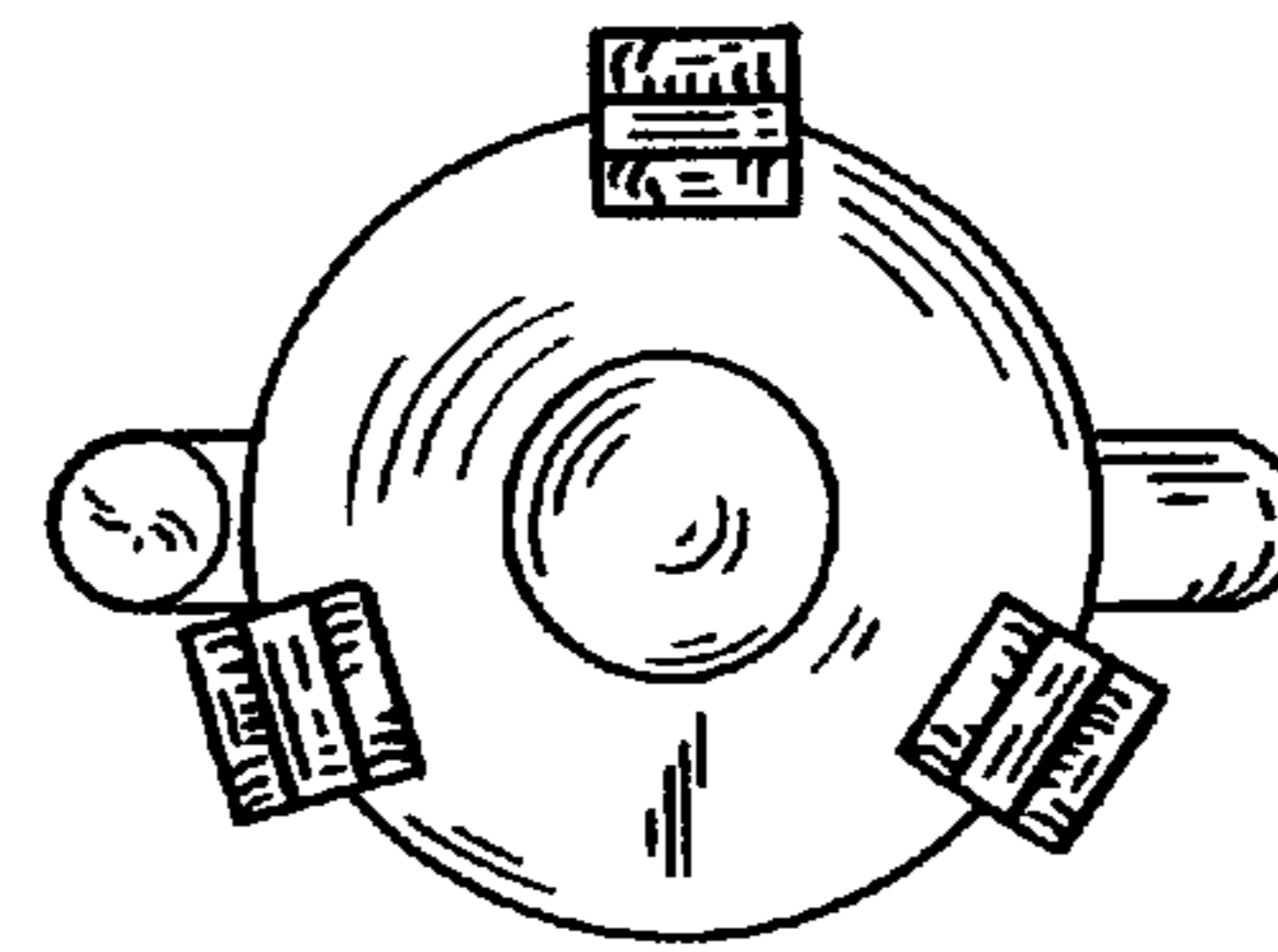


FIG. 14

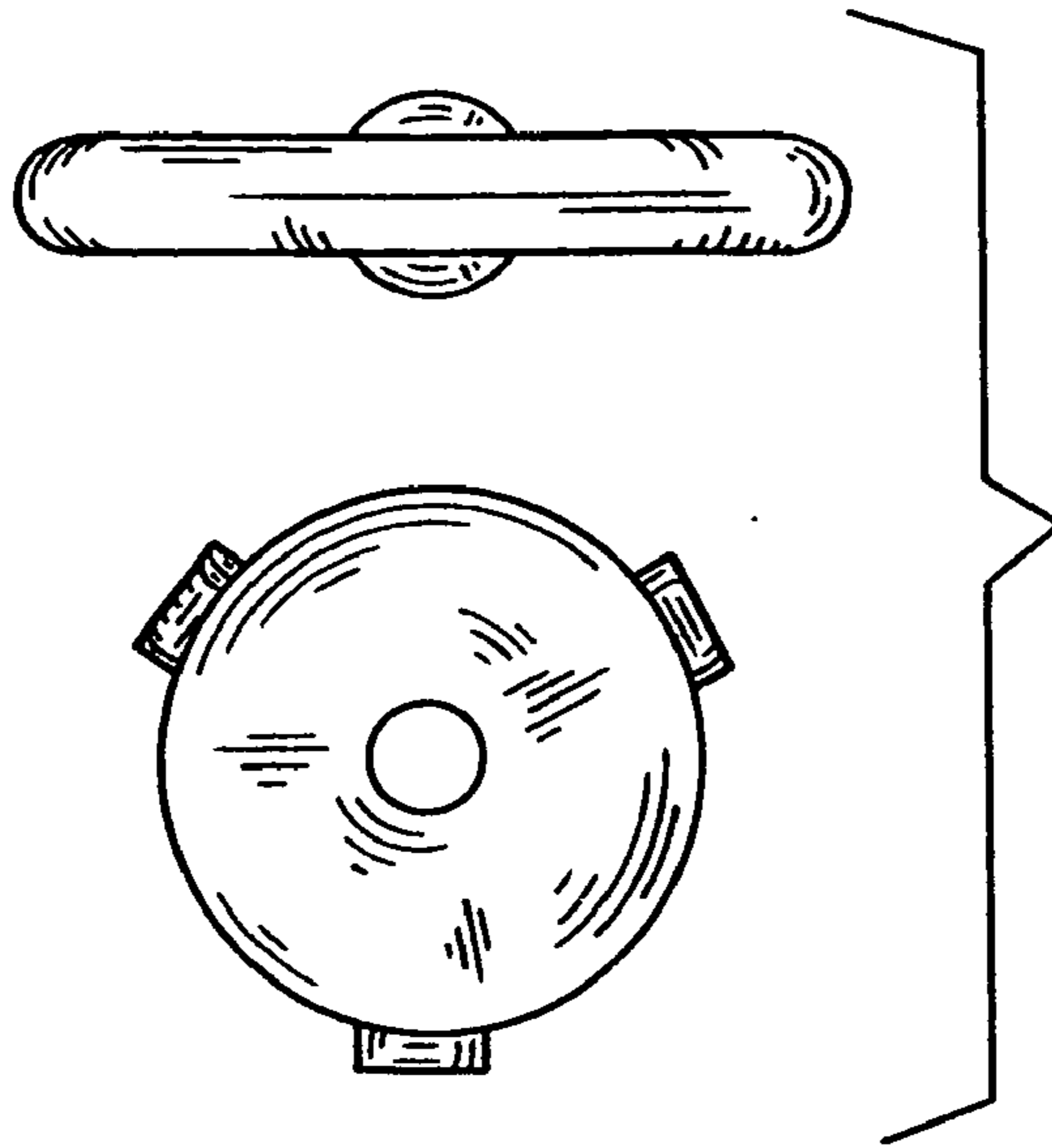


FIG. 15

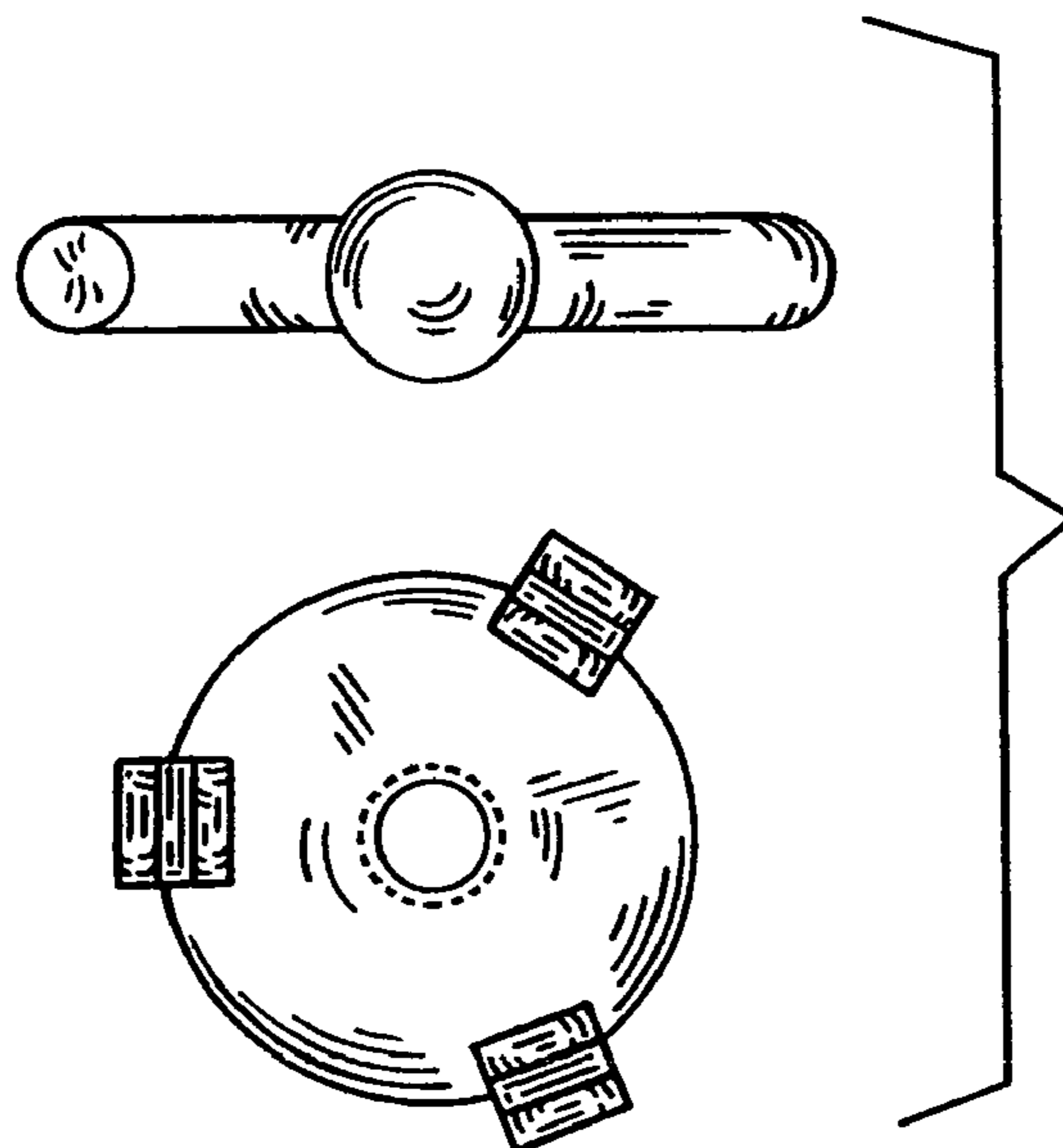


FIG. 16

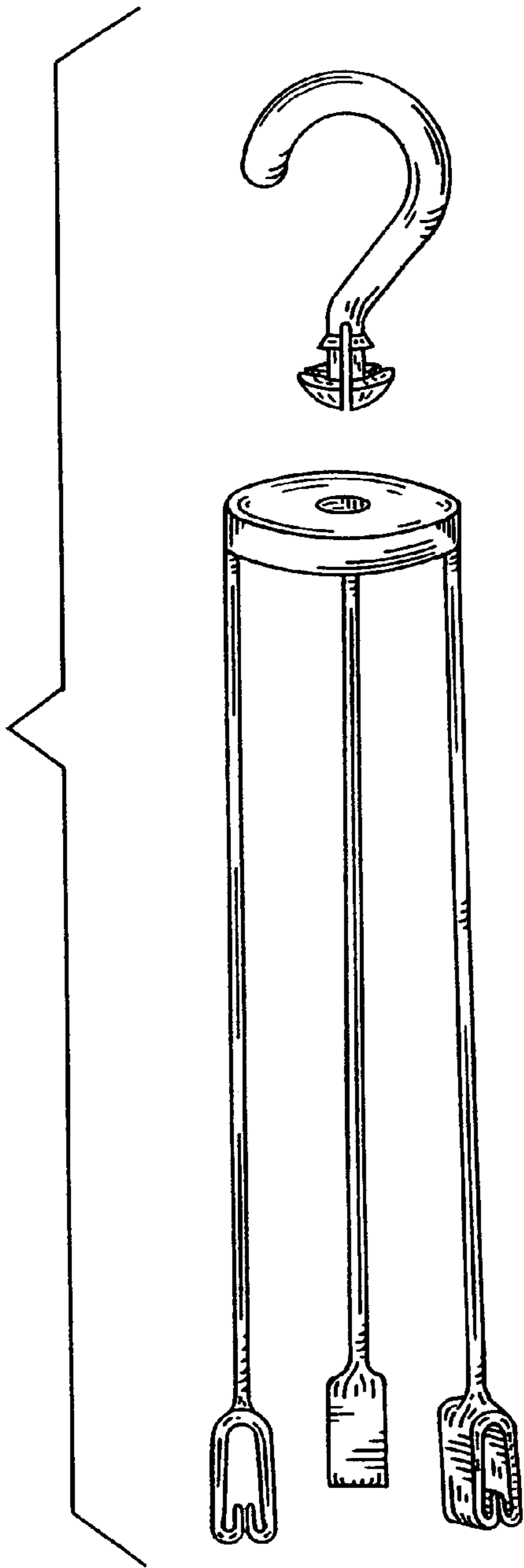


FIG. 17

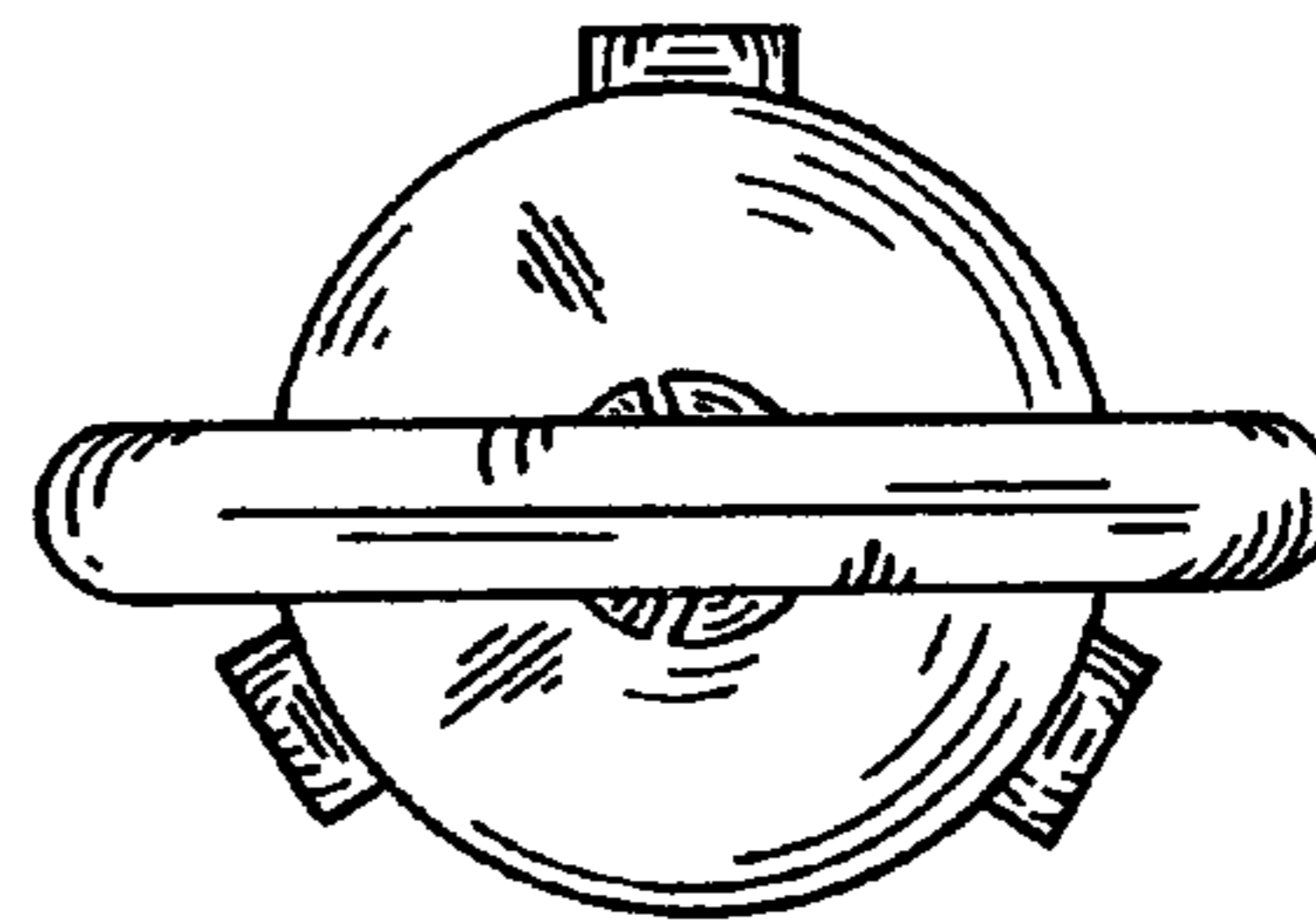


FIG. 18

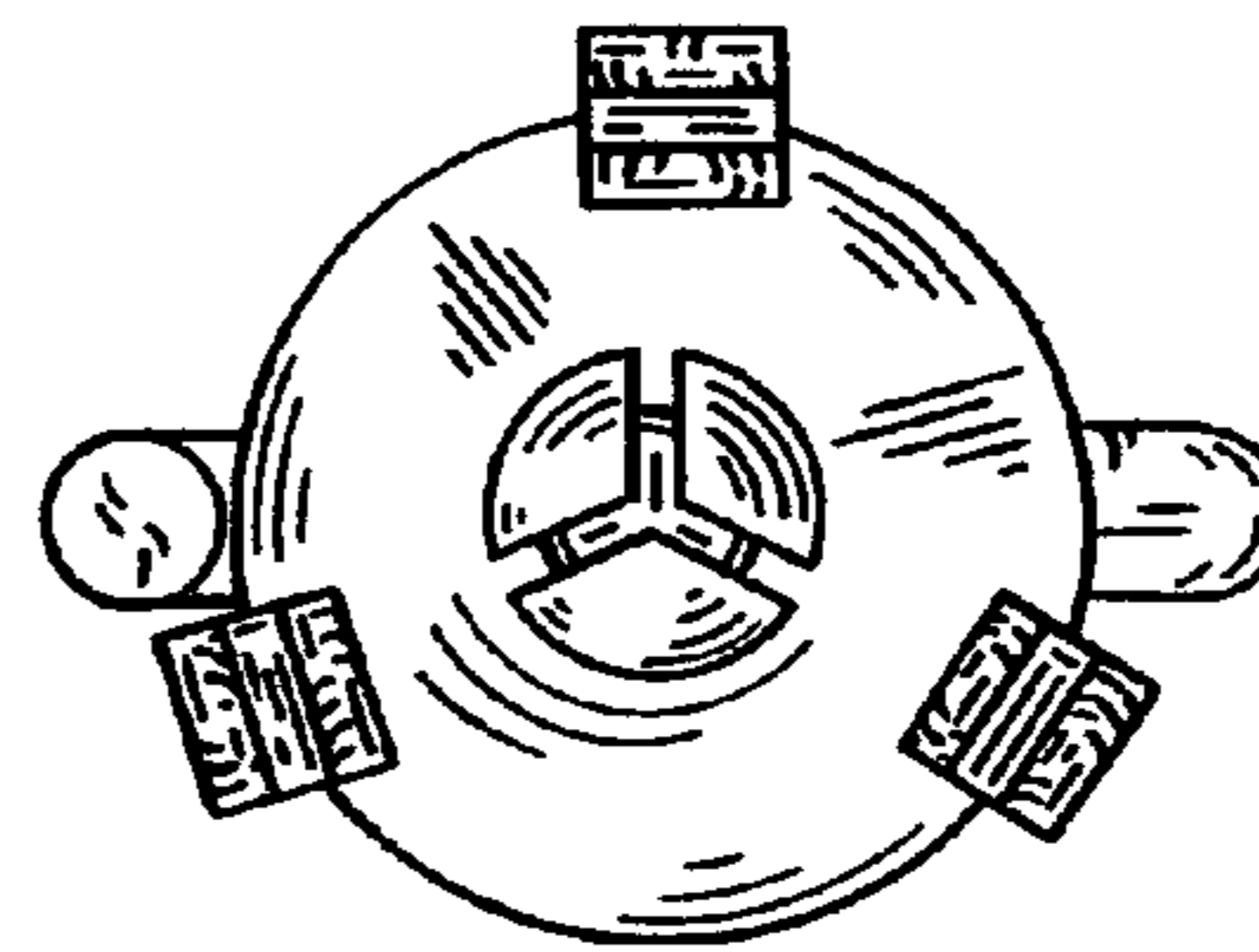


FIG. 19

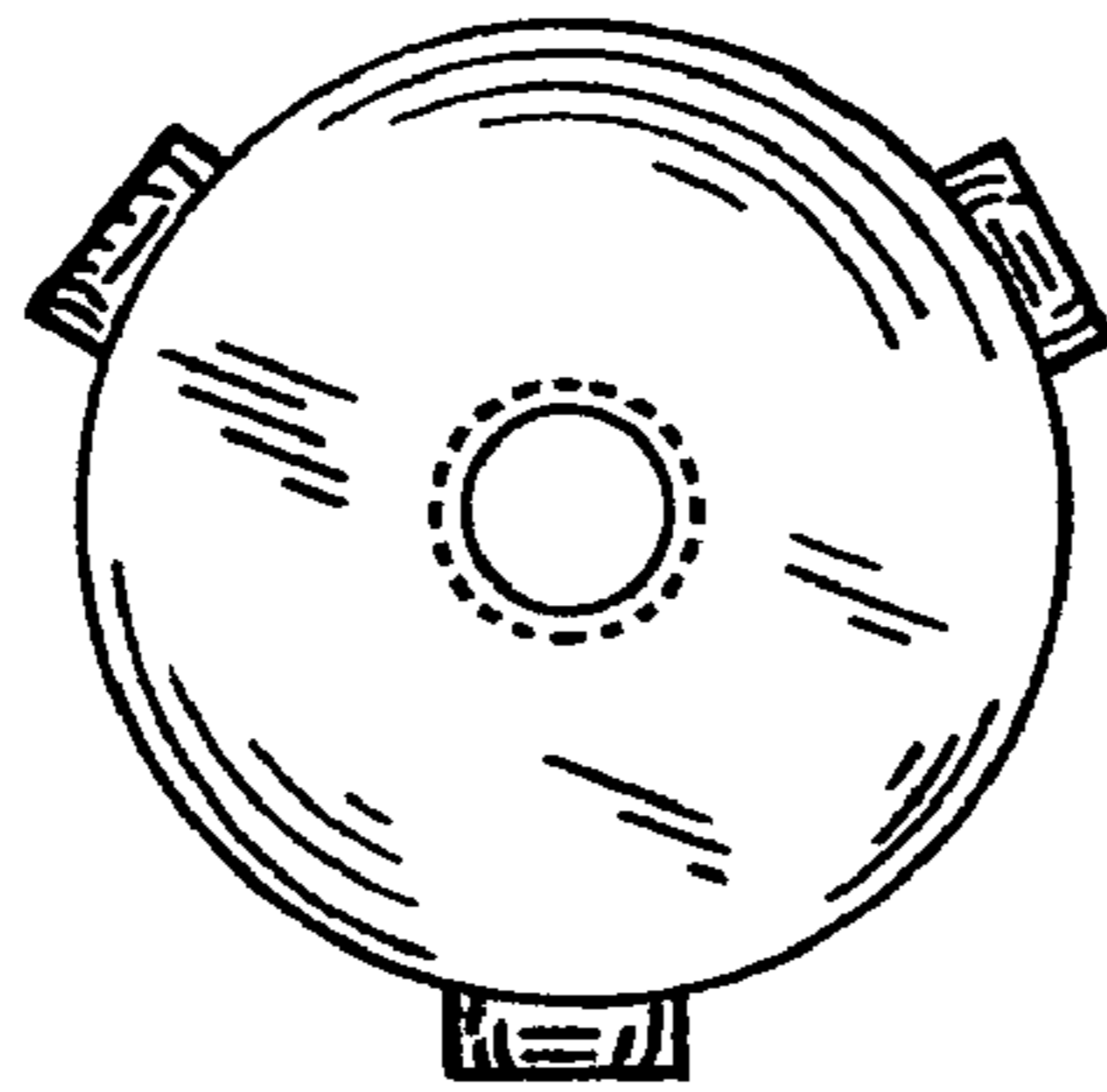
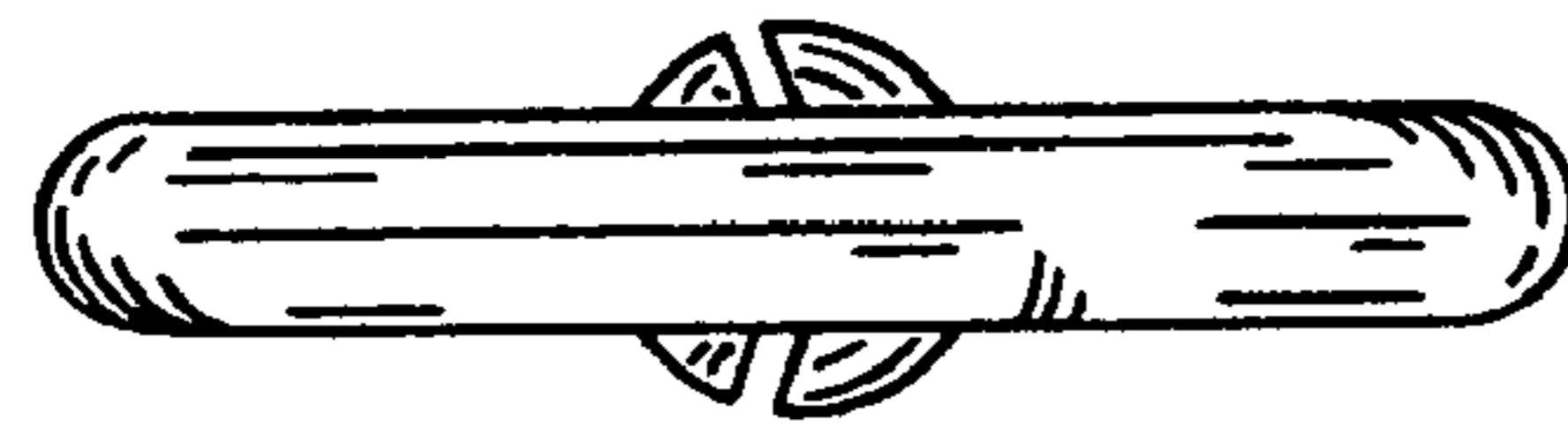


FIG. 20

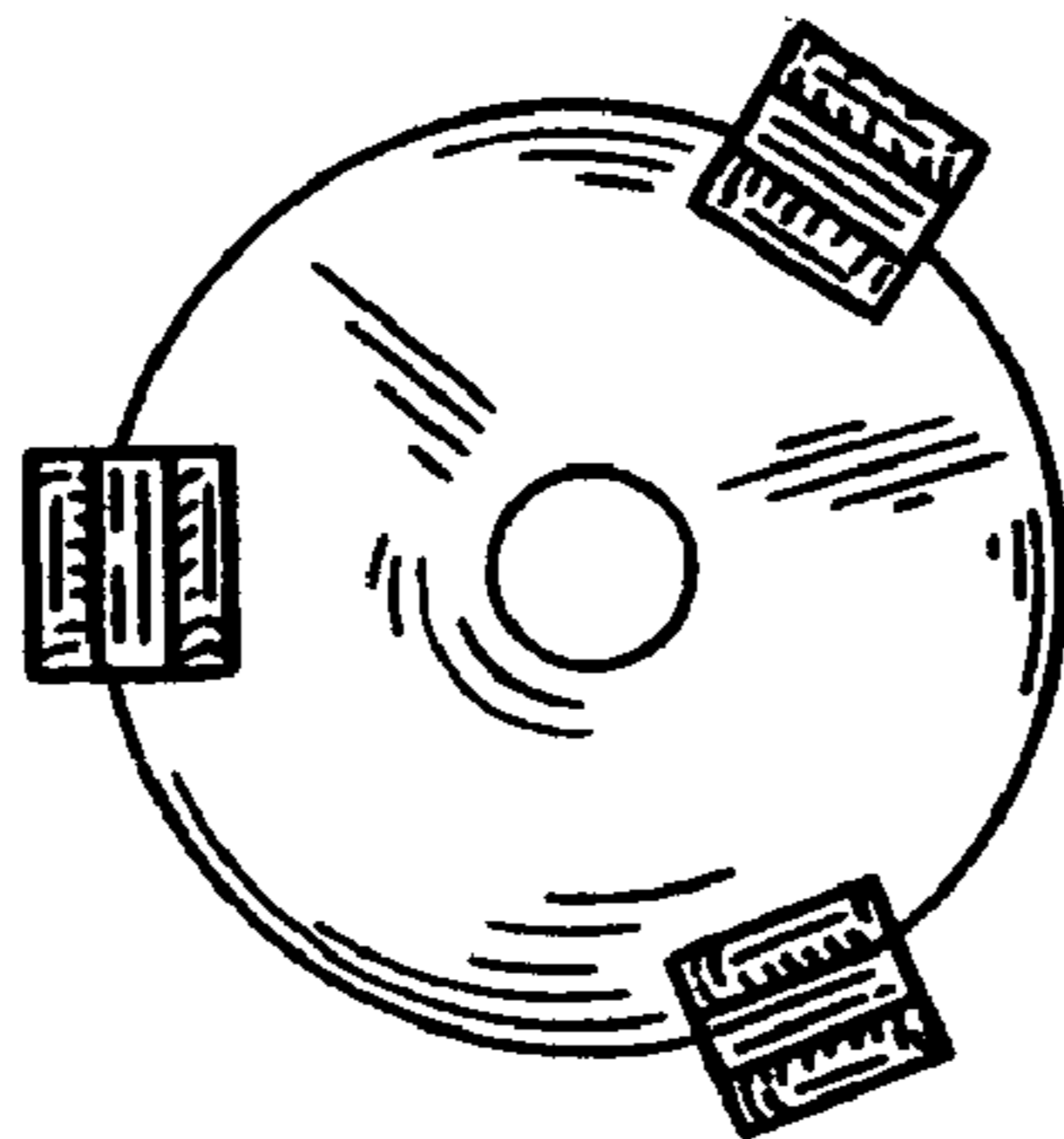
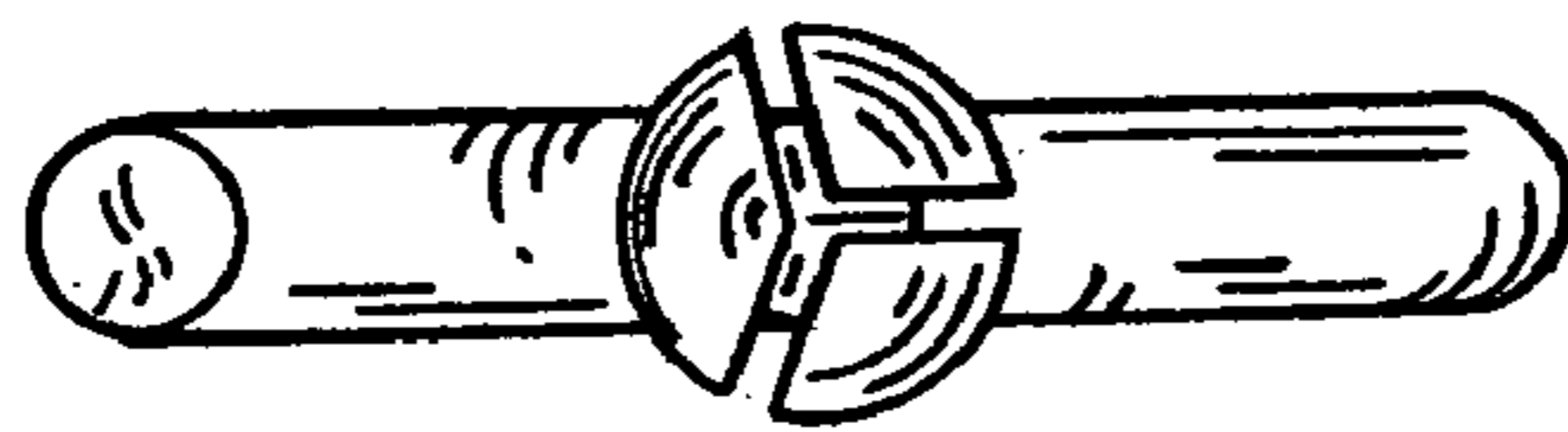


FIG. 21

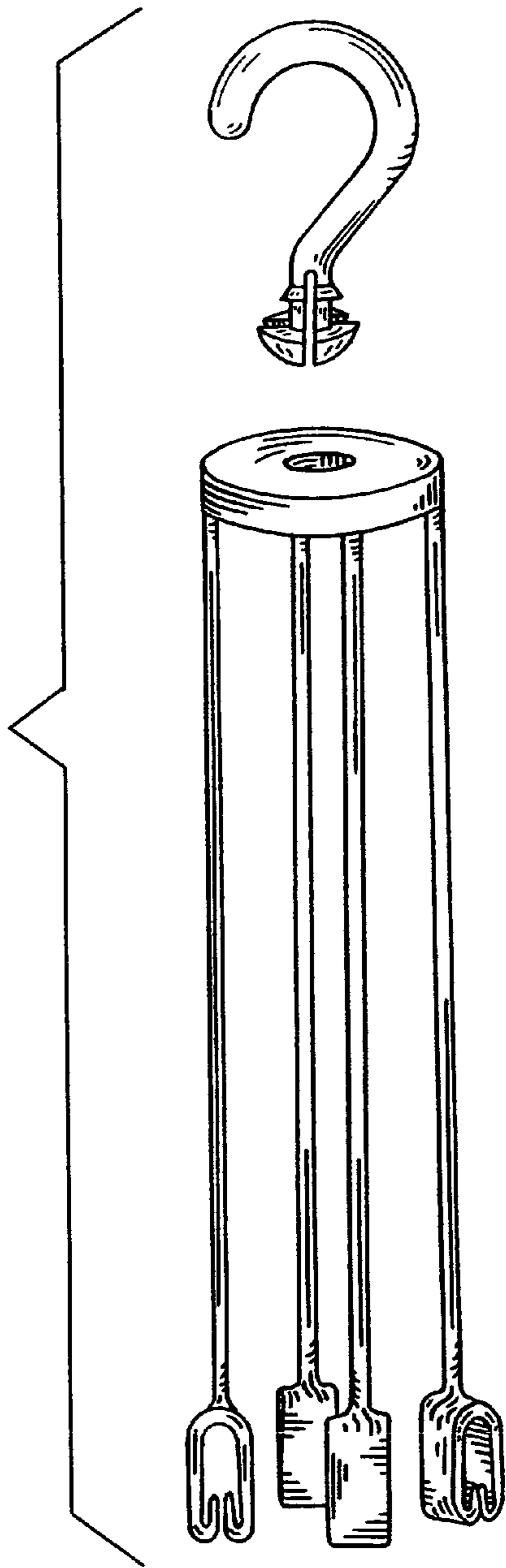


FIG. 22

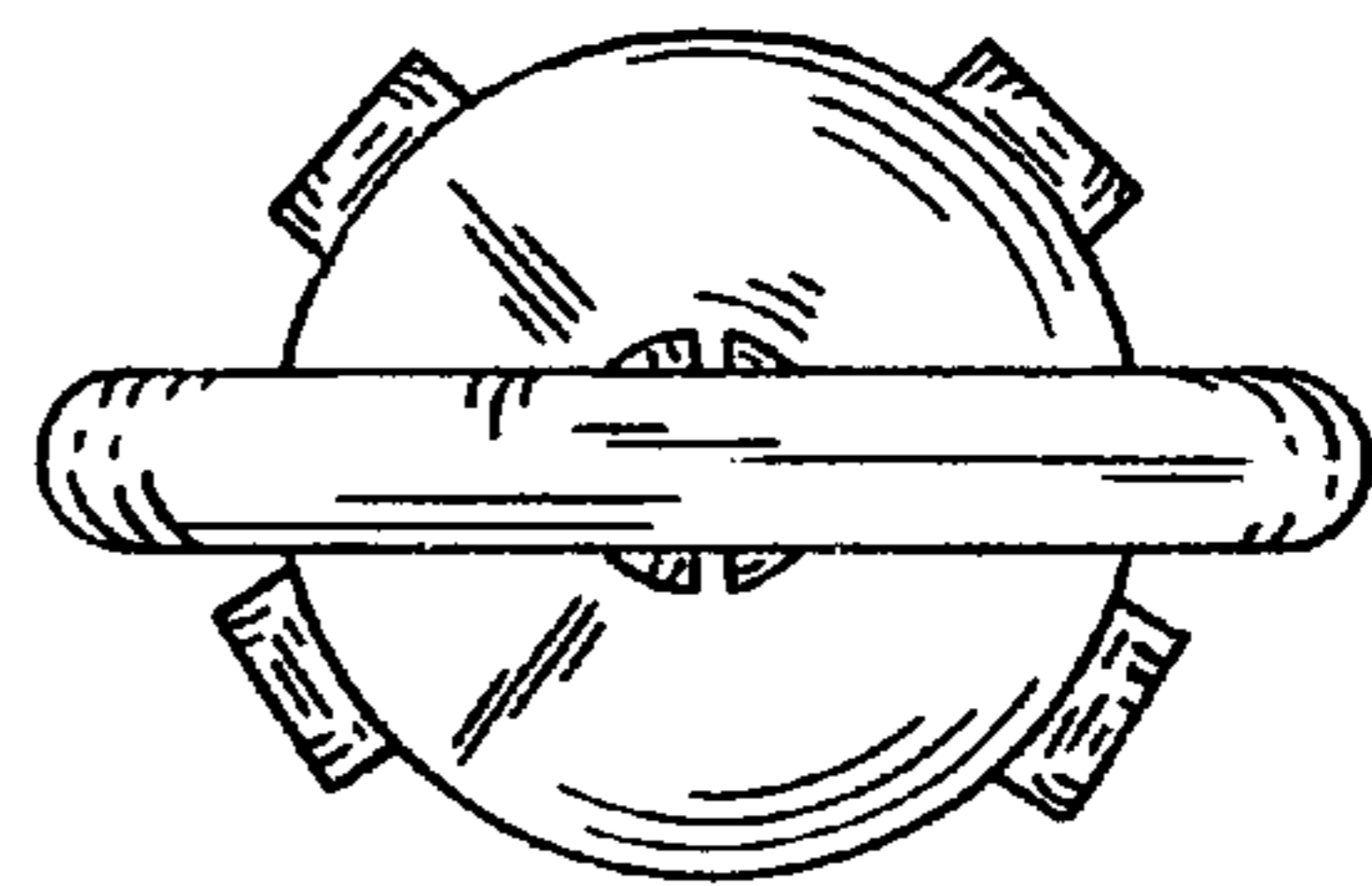


FIG. 23

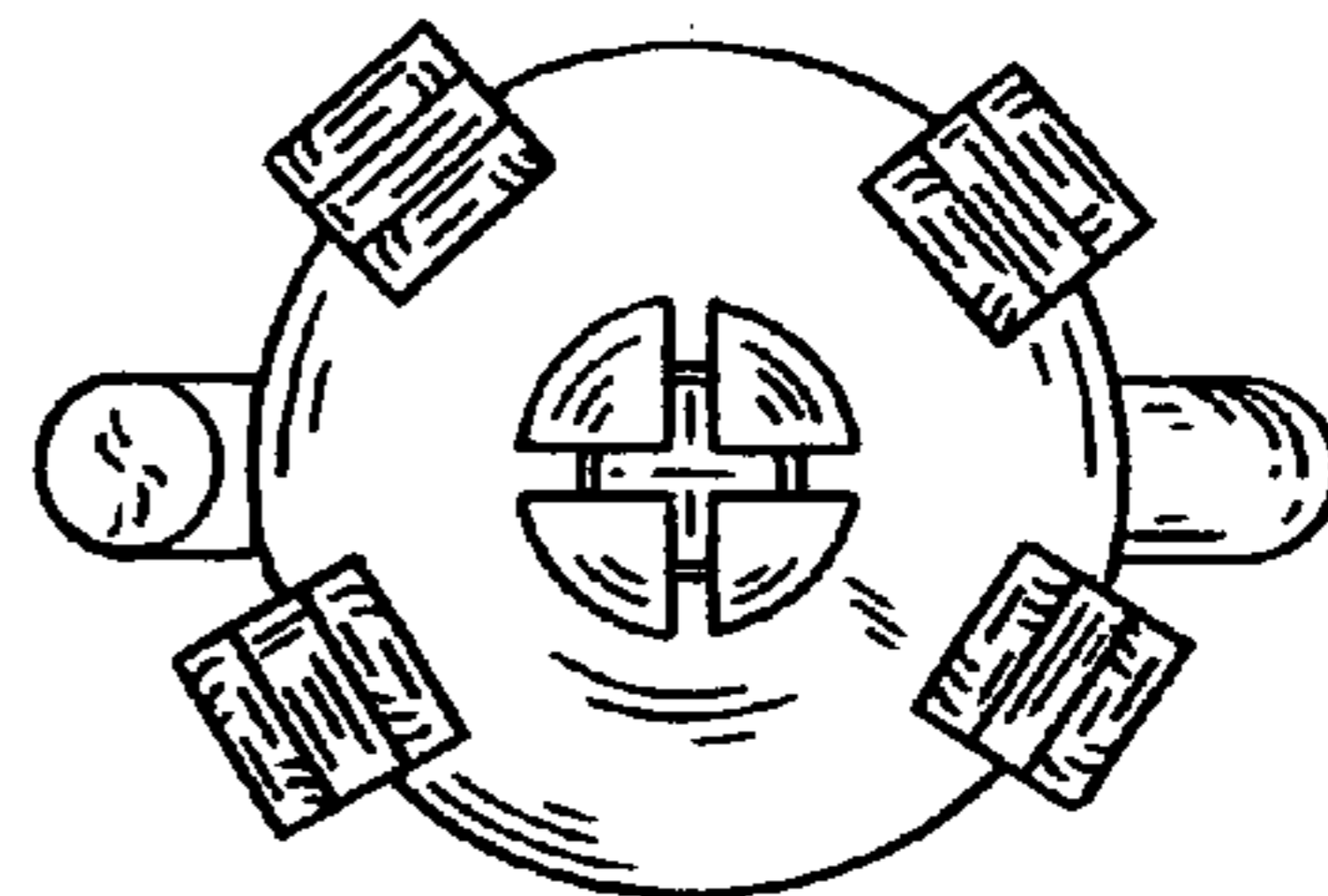


FIG. 24

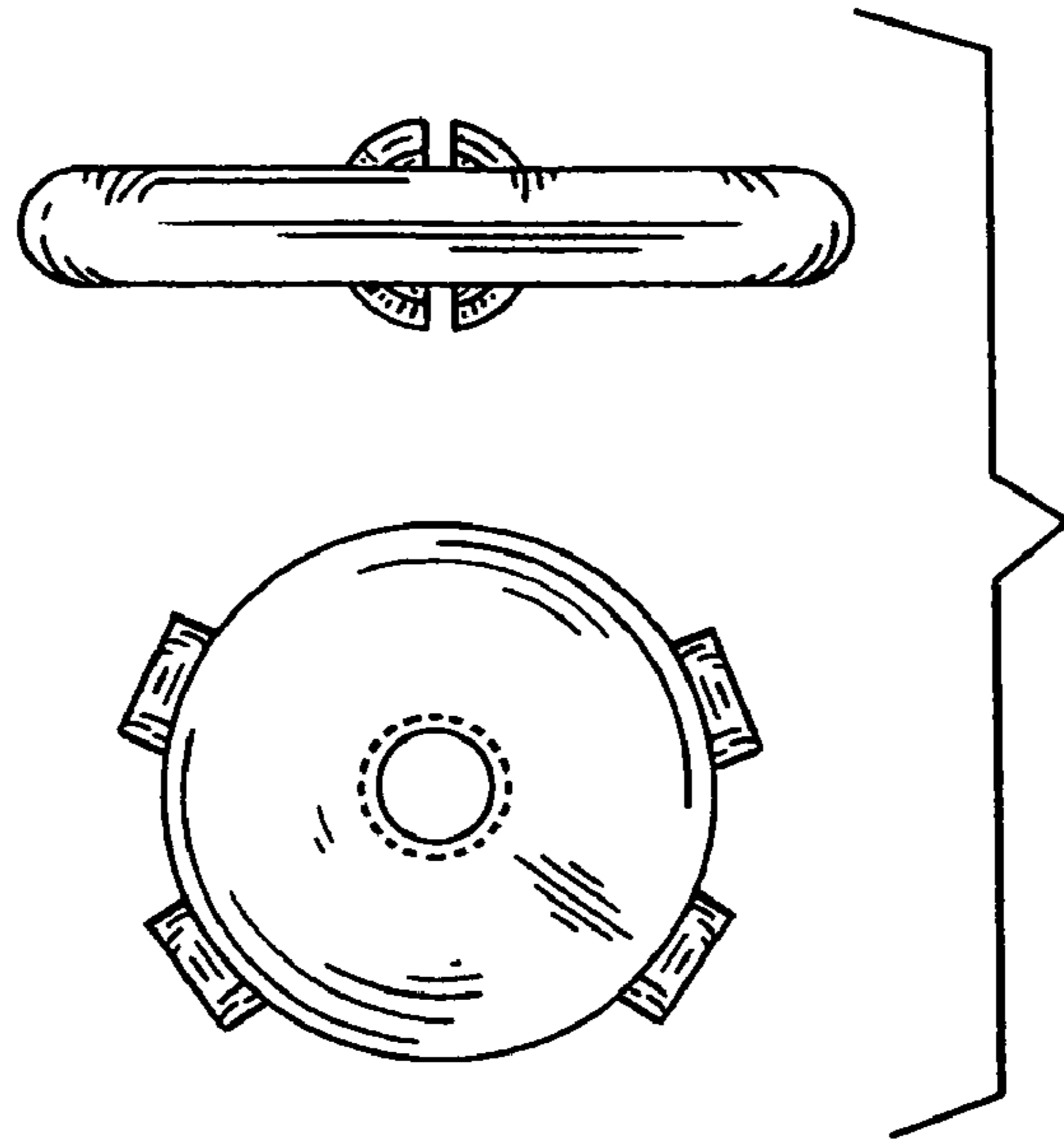


FIG. 25

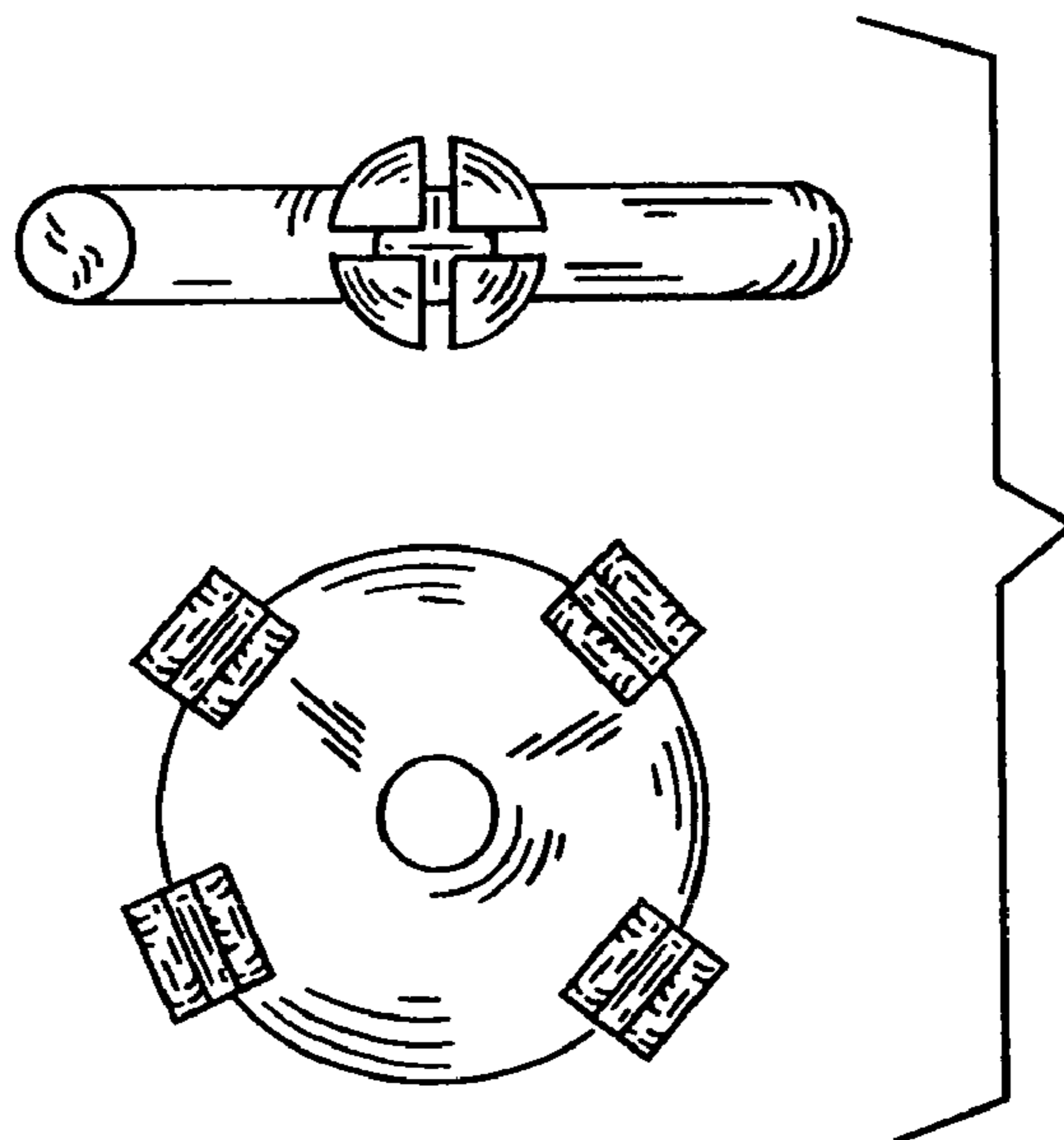


FIG. 26

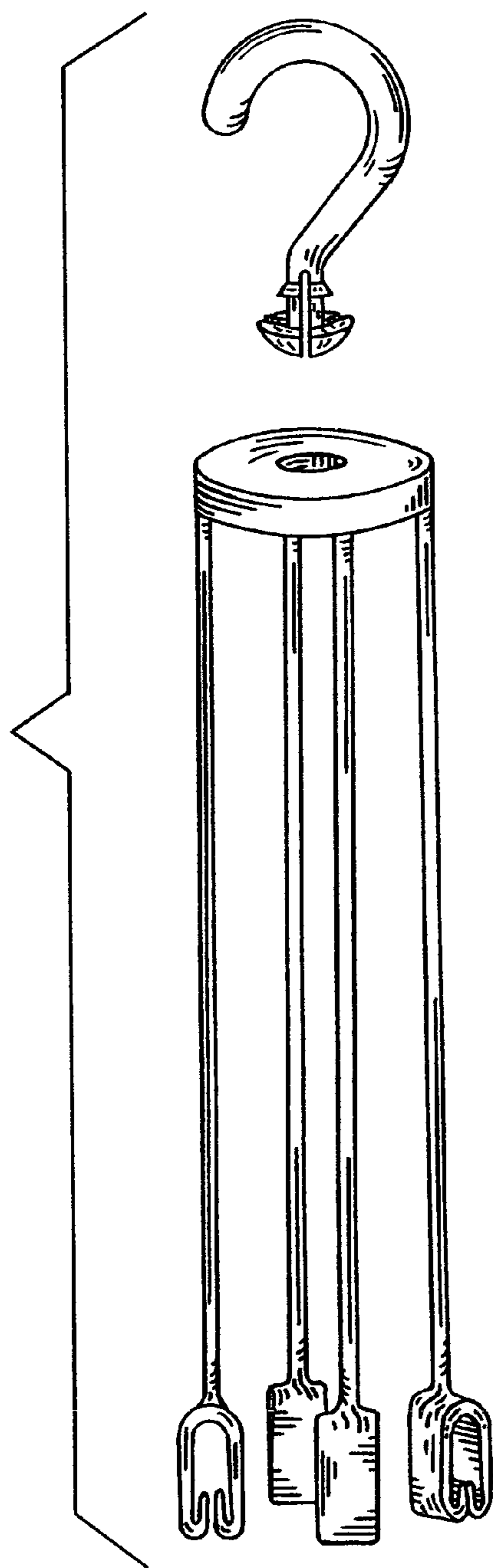


FIG. 27

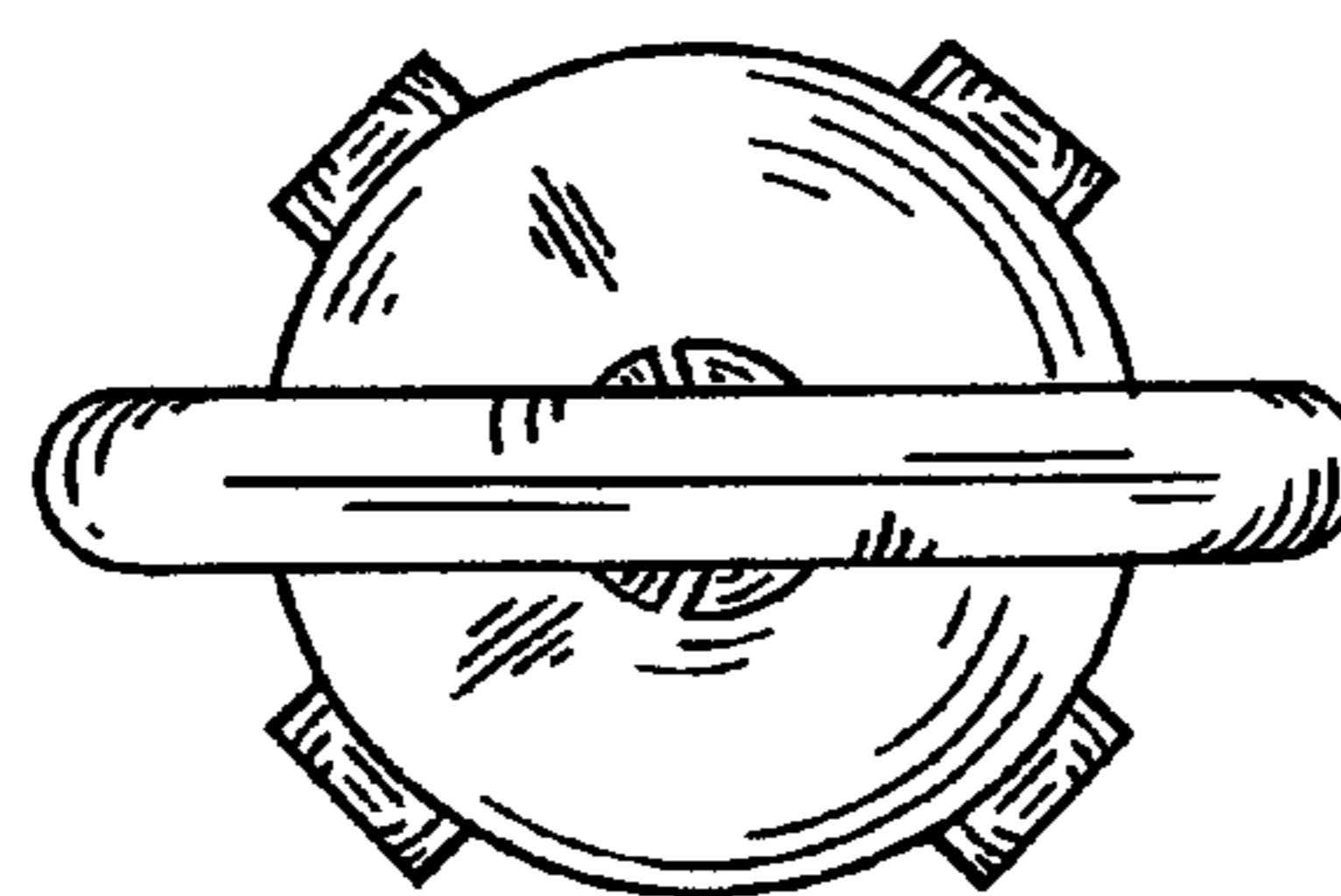


FIG. 28

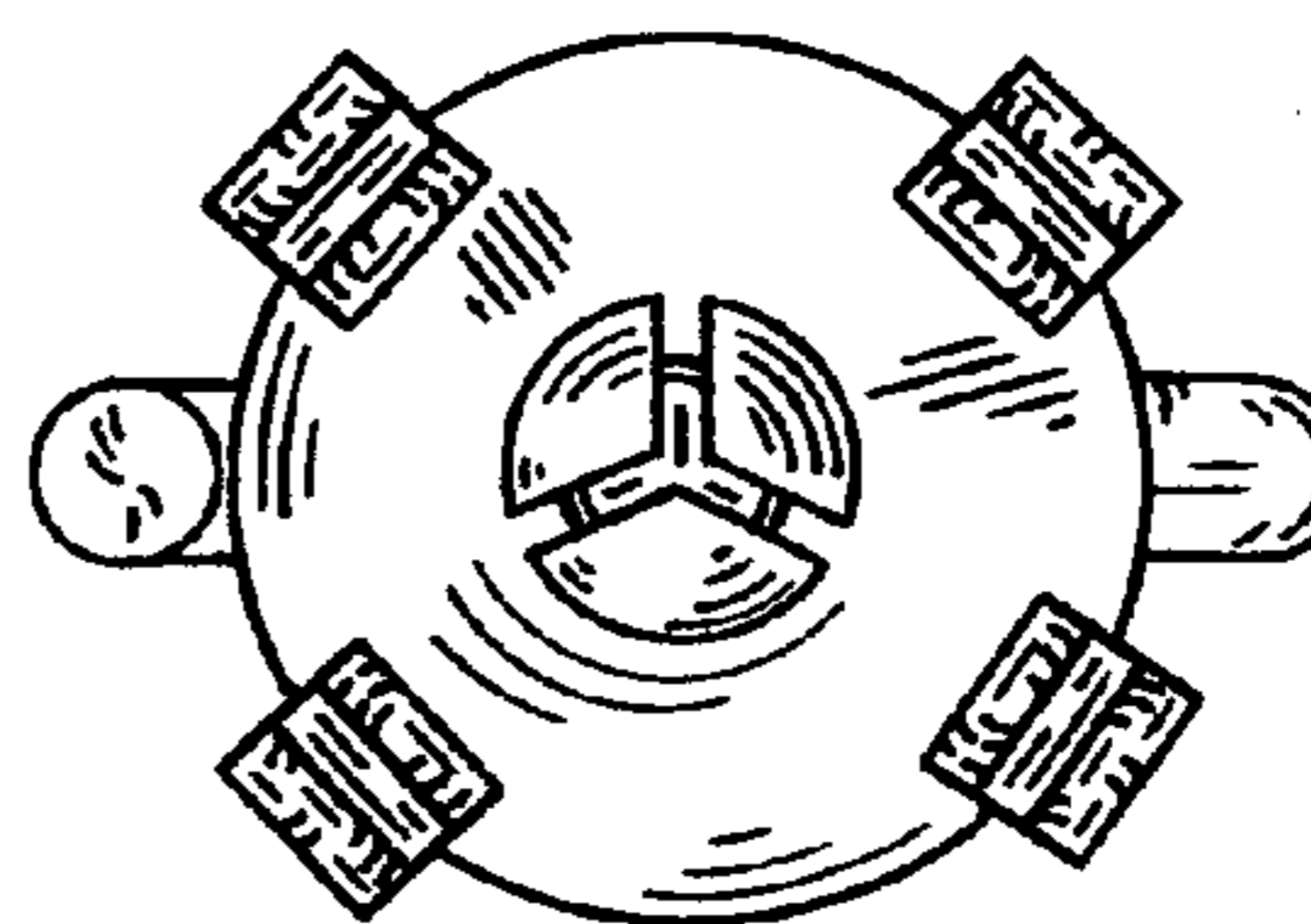


FIG. 29

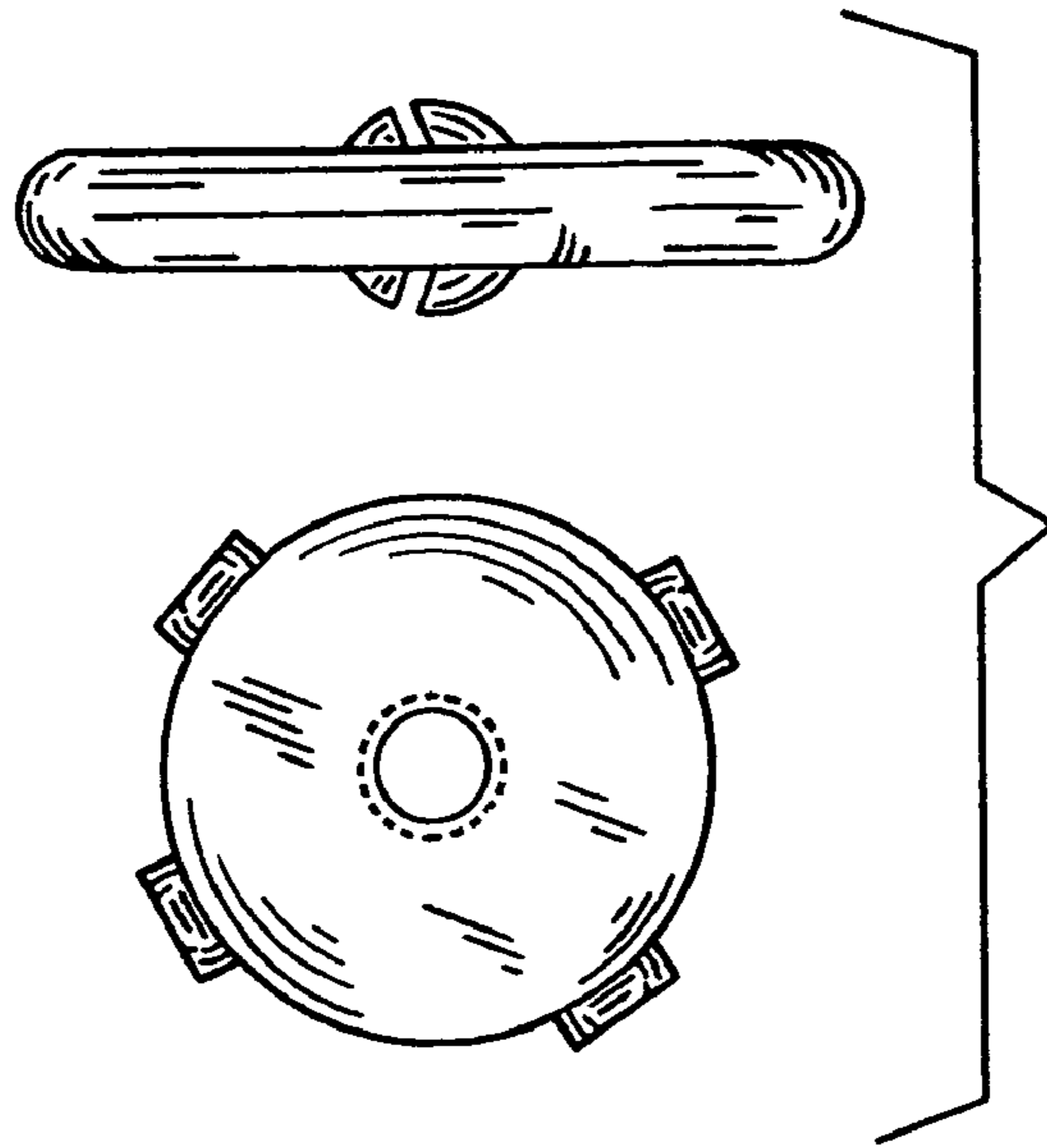


FIG. 30

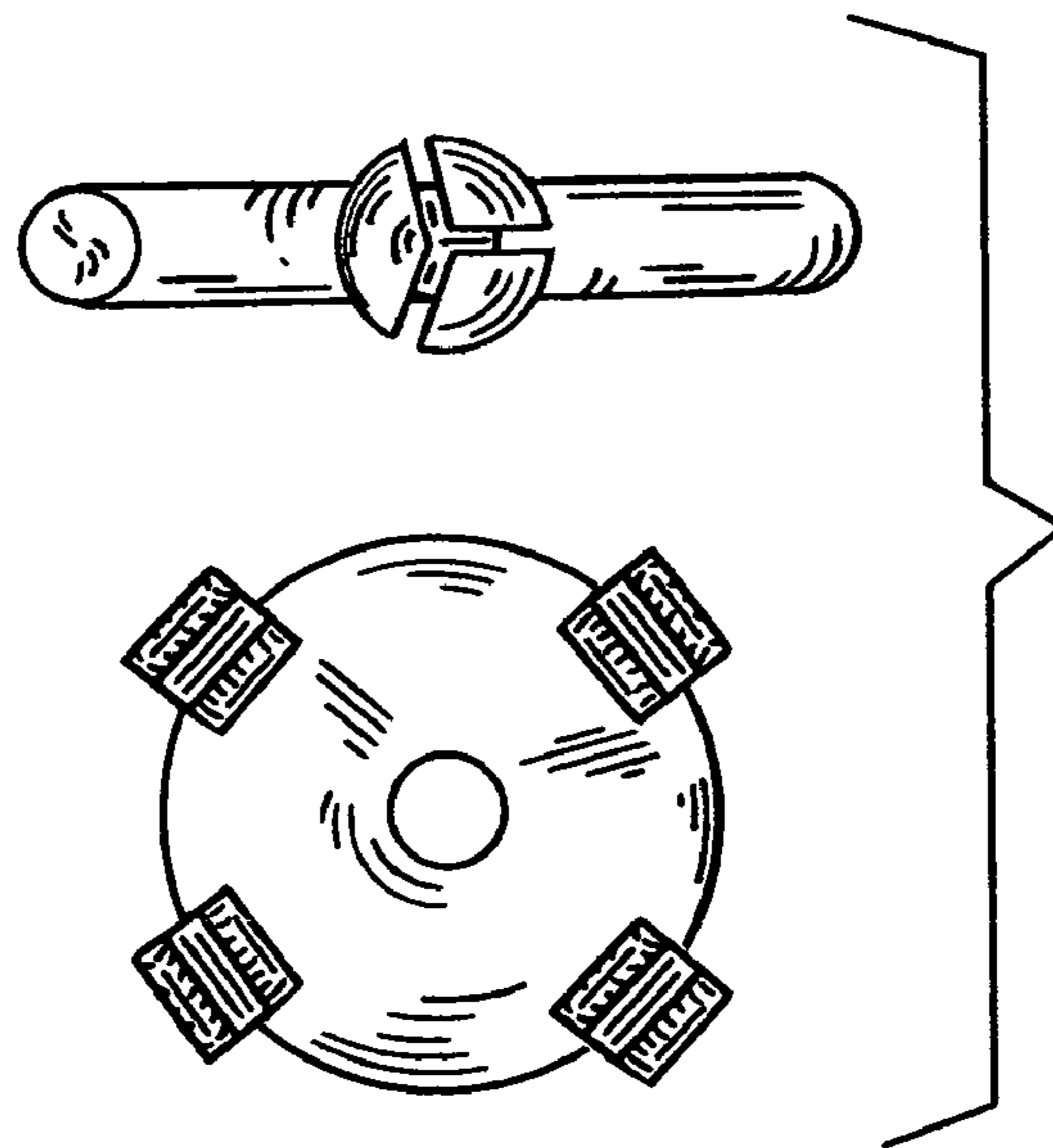


FIG. 31