



US00D621737S

(12) **United States Design Patent**
Marks

(10) **Patent No.:** **US D621,737 S**
(45) **Date of Patent:** **** Aug. 17, 2010**

- (54) **RING**
- (75) Inventor: **Sandy Marks**, Dallas, TX (US)
- (73) Assignee: **SBRE, LLC**, New York, NY (US)
- (**) Term: **14 Years**
- (21) Appl. No.: **29/357,159**
- (22) Filed: **Mar. 8, 2010**

Related U.S. Application Data

- (62) Division of application No. 29/344,643, filed on Oct. 1, 2009, now Pat. No. Des. 614,069.
- (51) **LOC (9) Cl.** **11-01**
- (52) **U.S. Cl.** **D11/35**
- (58) **Field of Classification Search** D11/26-39, D11/89-92; 63/15, 15.1, 15.2, 15.3, 15.4, 63/15.45, 15.5, 15.6, 15.65, 15.7, 26-28
See application file for complete search history.

(56) **References Cited**

U.S. PATENT DOCUMENTS

D20,739 S	5/1891	Beach	
D129,638 S *	9/1941	Mark	D11/4
4,033,143 A	7/1977	Michael	
D253,403 S *	11/1979	Glueckselig	D11/35
D255,083 S	5/1980	Kott	
D262,528 S *	1/1982	Carbino	D11/27
D264,827 S *	6/1982	Cunningham	D11/34
D291,664 S	9/1987	Kelman	
D445,057 S *	7/2001	Chanaratsopon et al.	D11/27
D464,901 S	10/2002	Lomax	
D465,173 S	11/2002	Gordon	
D471,836 S *	3/2003	Chanaratsopon et al.	D11/27
D517,442 S	3/2006	Polk, III	
D519,874 S	5/2006	Allin	
D521,407 S	5/2006	Allin	
D538,697 S *	3/2007	Azrielant et al.	D11/28
D546,726 S *	7/2007	Azrielant	D11/35
D591,634 S	5/2009	Gorman	
D602,799 S	10/2009	Colombani	

D604,655 S	11/2009	Marks	
D604,656 S	11/2009	Marks	
D614,069 S *	4/2010	Marks	D11/34

OTHER PUBLICATIONS

Notice of Allowance Issued for U.S. Appl. No. 29/344,643 mailed on Feb. 18, 2010.

* cited by examiner

Primary Examiner—Cathron C Brooks
Assistant Examiner—Melanie Levy
(74) *Attorney, Agent, or Firm*—Pearl Cohen Zedek Latzer, LLP

(57) **CLAIM**

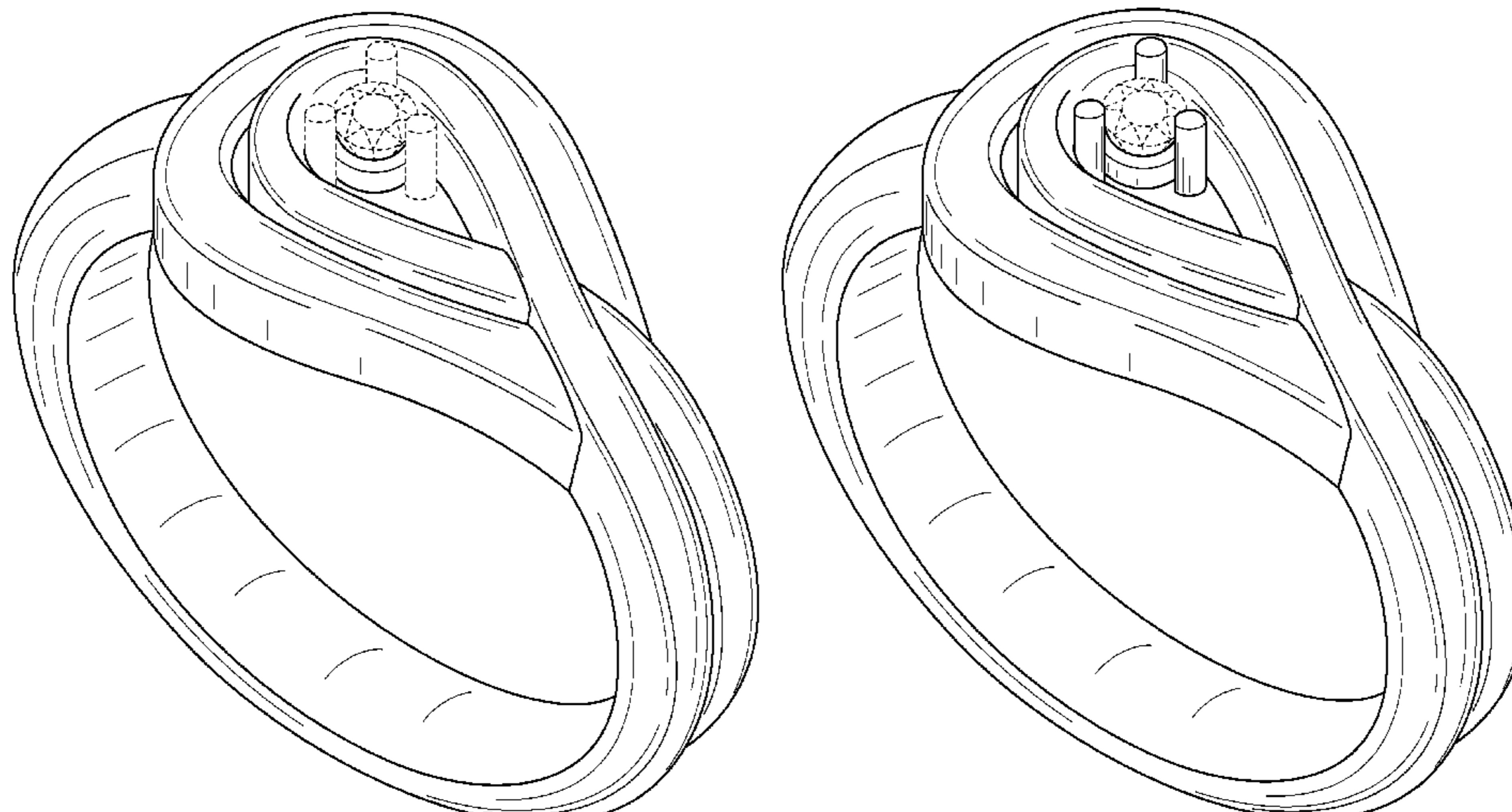
The ornamental design for a ring, as shown and described.

DESCRIPTION

FIG. 1 is a top, front, right side perspective view of a first embodiment of the ring;
 FIG. 2 is a front elevational view thereof;
 FIG. 3 is a back elevational view thereof;
 FIG. 4 is a right side elevational view thereof;
 FIG. 5 is a left side elevational view thereof;
 FIG. 6 is a top plan view thereof;
 FIG. 7 is a bottom plan view thereof;
 FIG. 8 is a top, front, right side perspective view of a second embodiment of the ring;
 FIG. 9 is a front elevational view thereof;
 FIG. 10 is a back elevational view thereof;
 FIG. 11 is a right side elevational view thereof;
 FIG. 12 is a left side elevational view thereof;
 FIG. 13 is a top plan view thereof; and,
 FIG. 14 is a bottom plan view thereof.

The broken line portions show environmental structure and form no part of the claimed design.

1 Claim, 10 Drawing Sheets



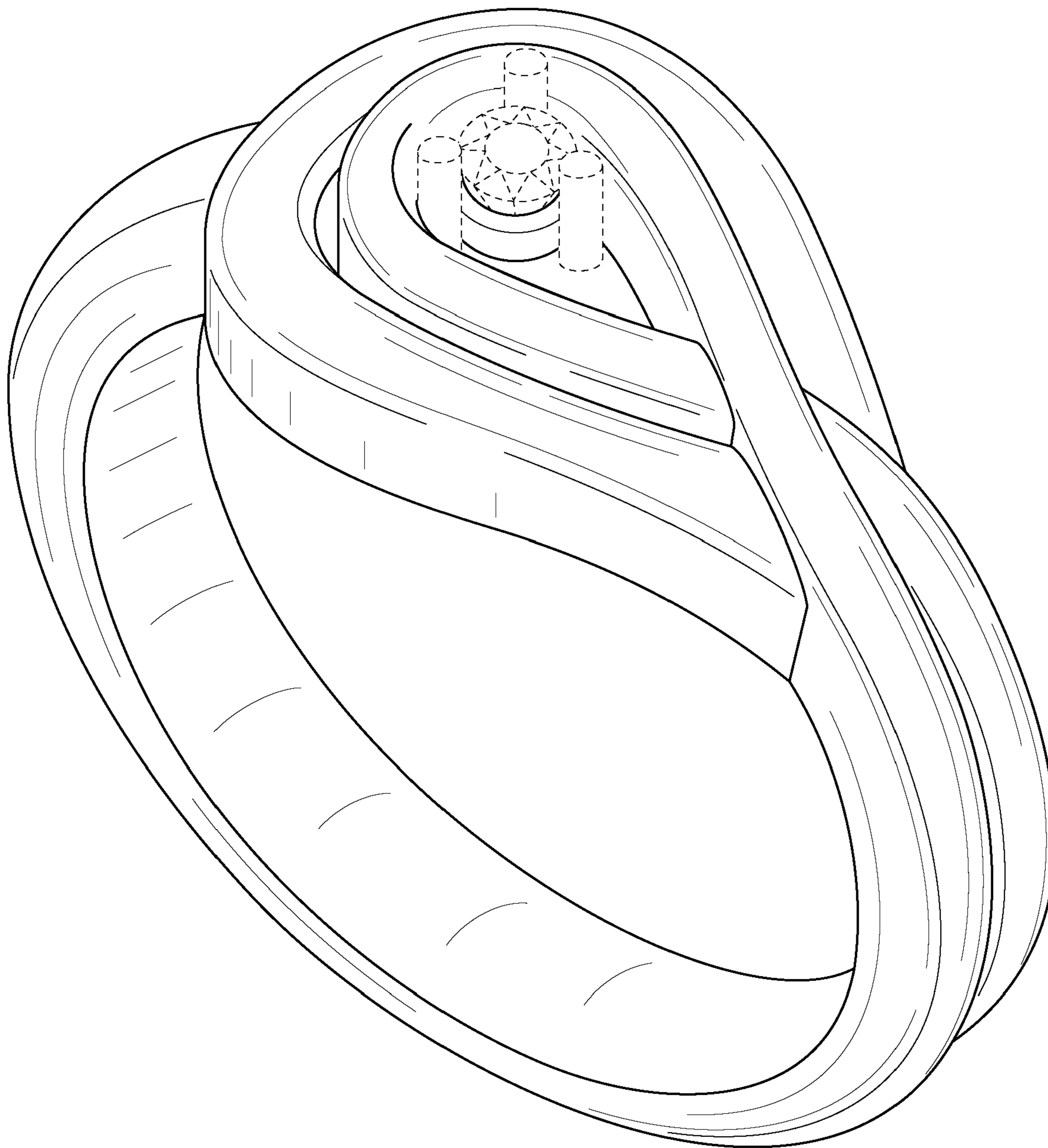


FIG. 1

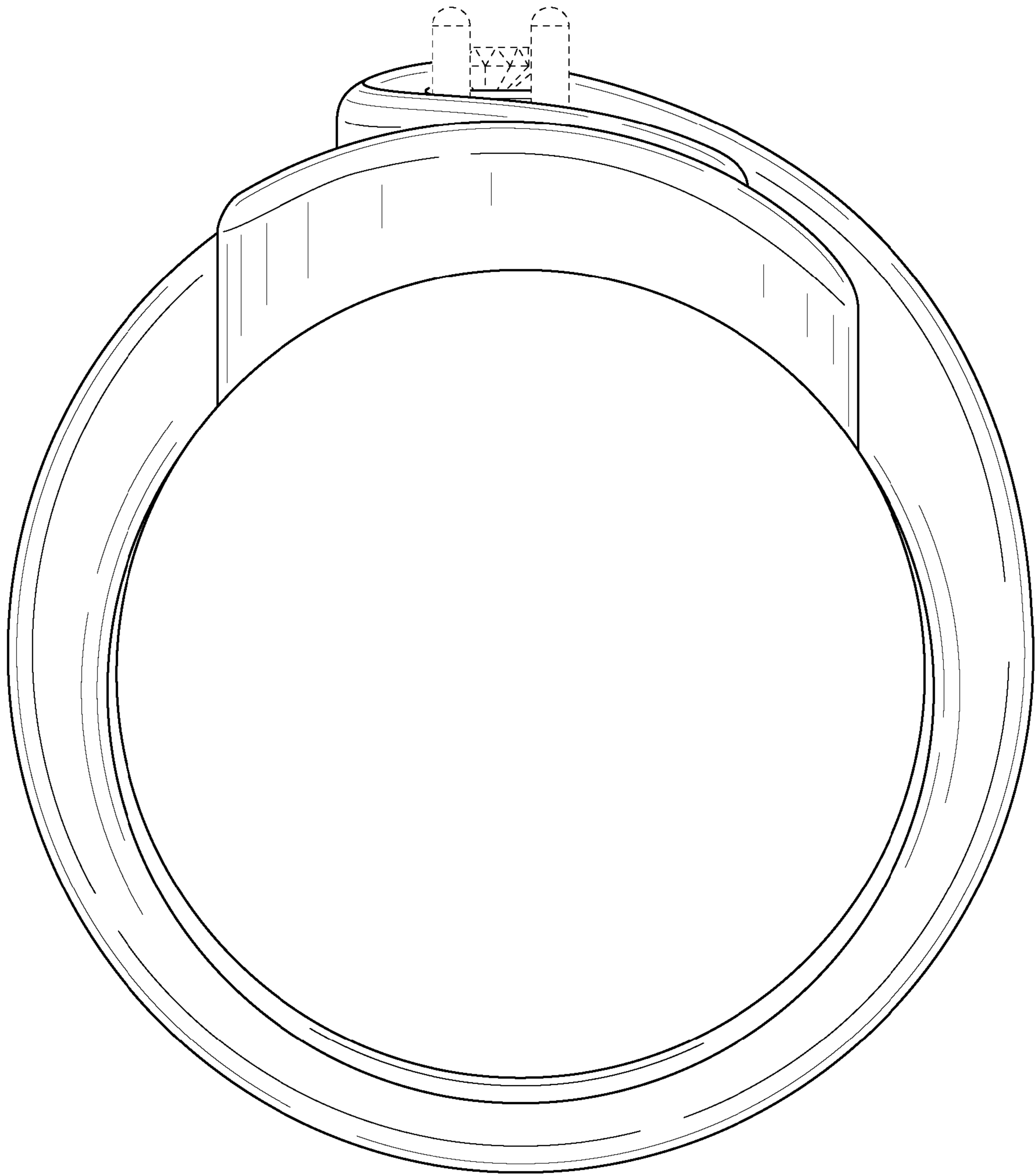


FIG. 2

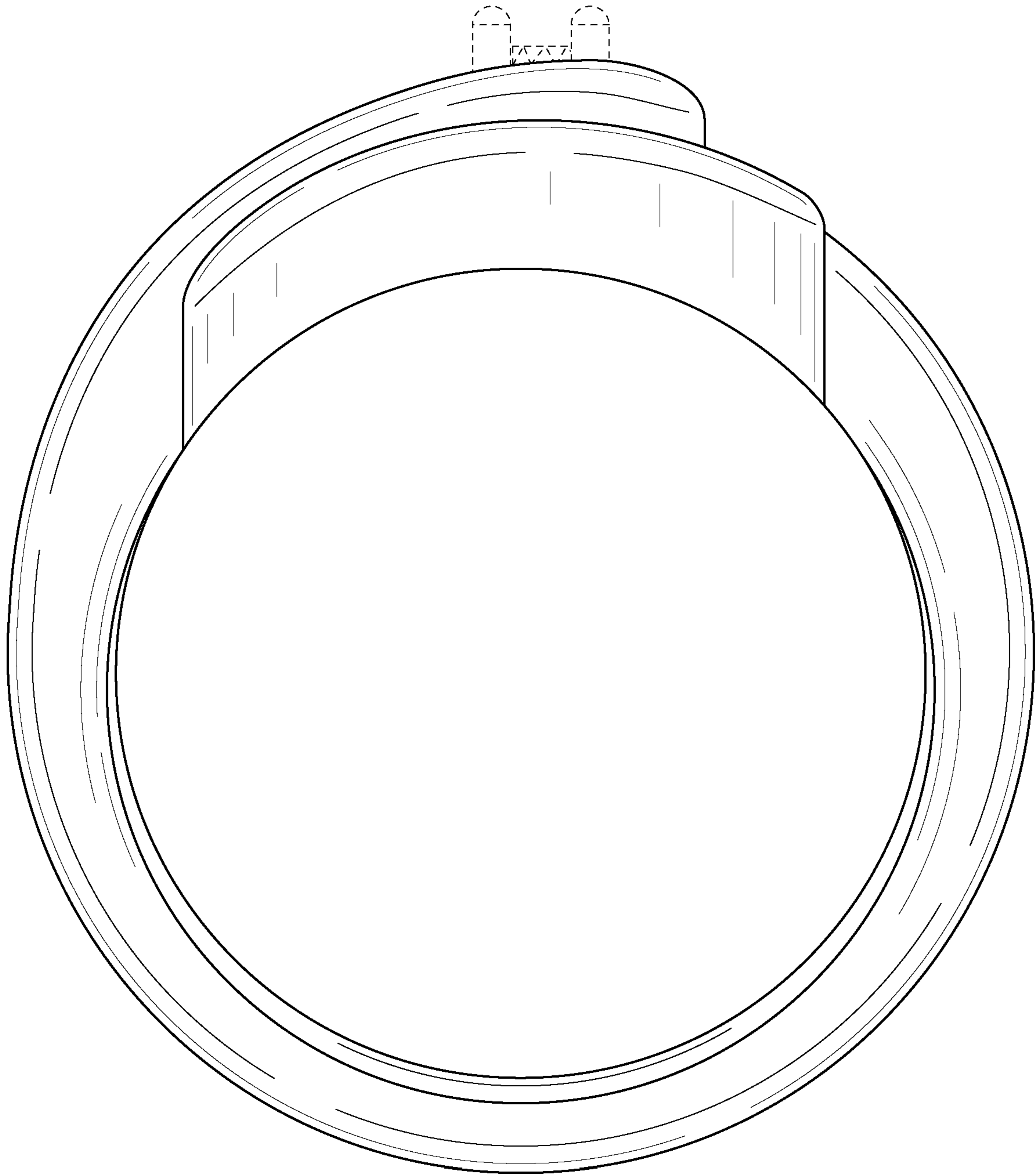


FIG. 3

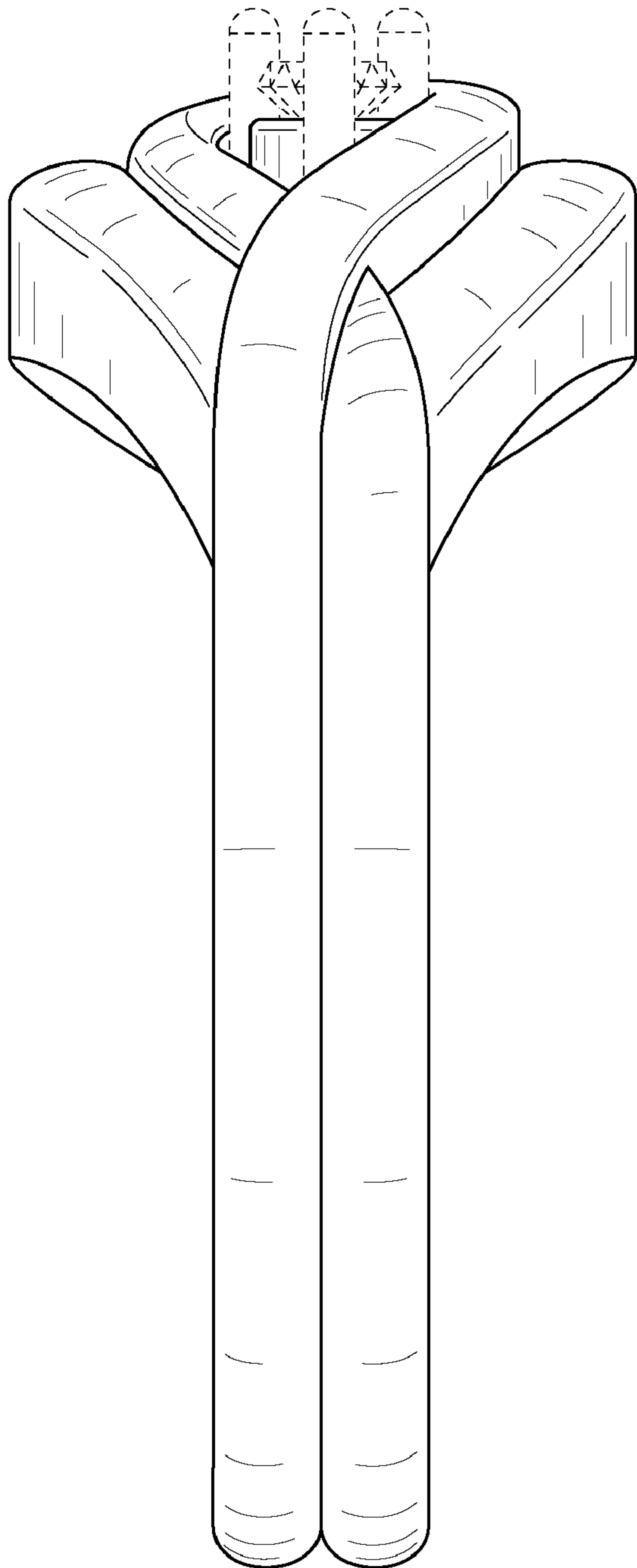


FIG. 4

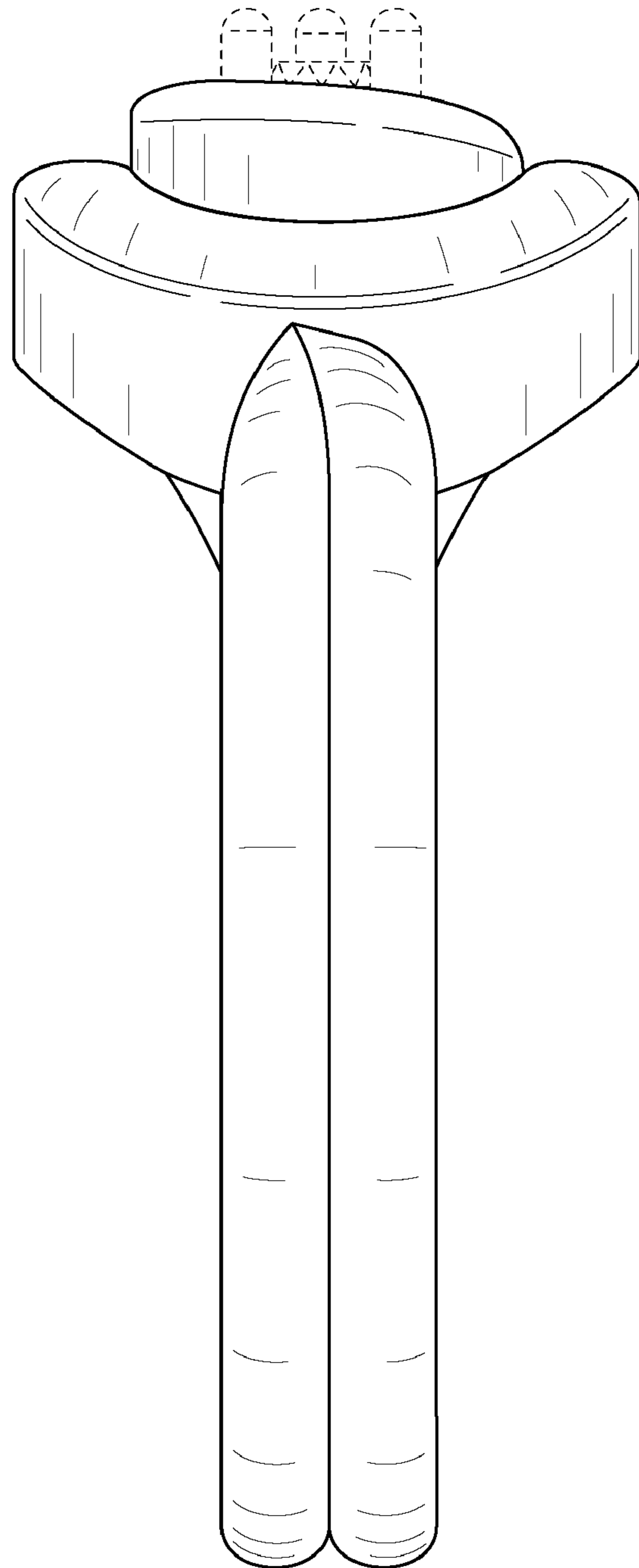


FIG. 5

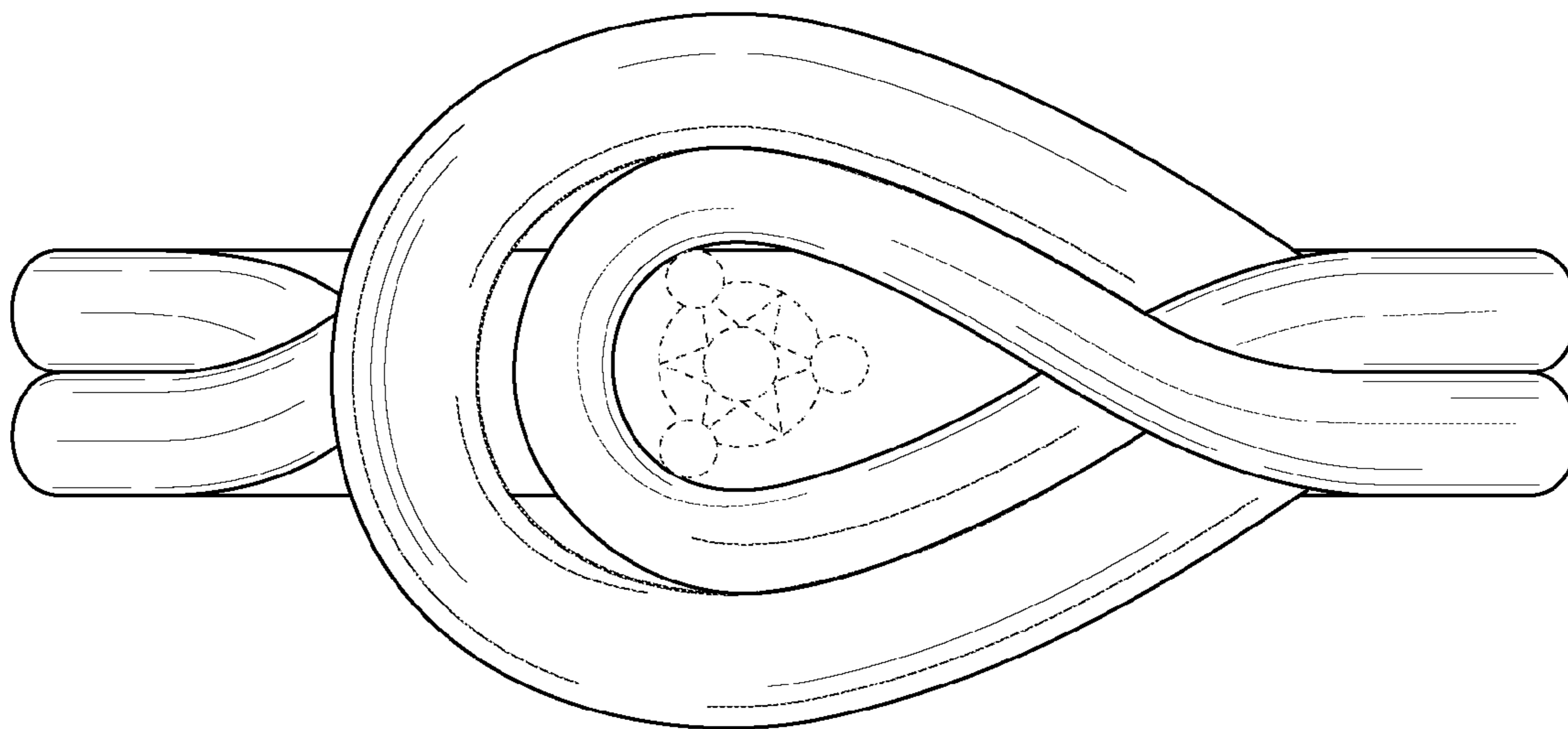


FIG. 6

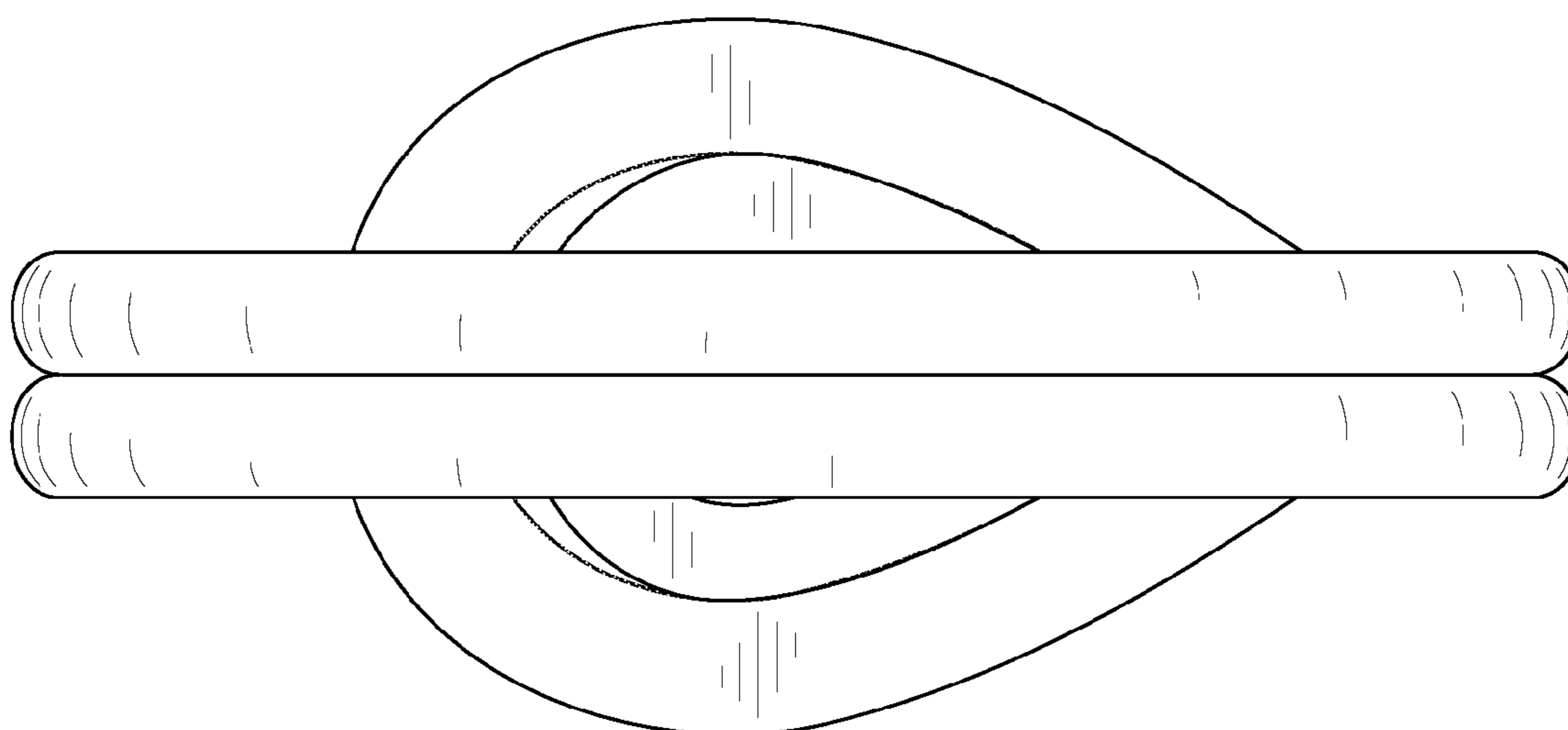


FIG. 7

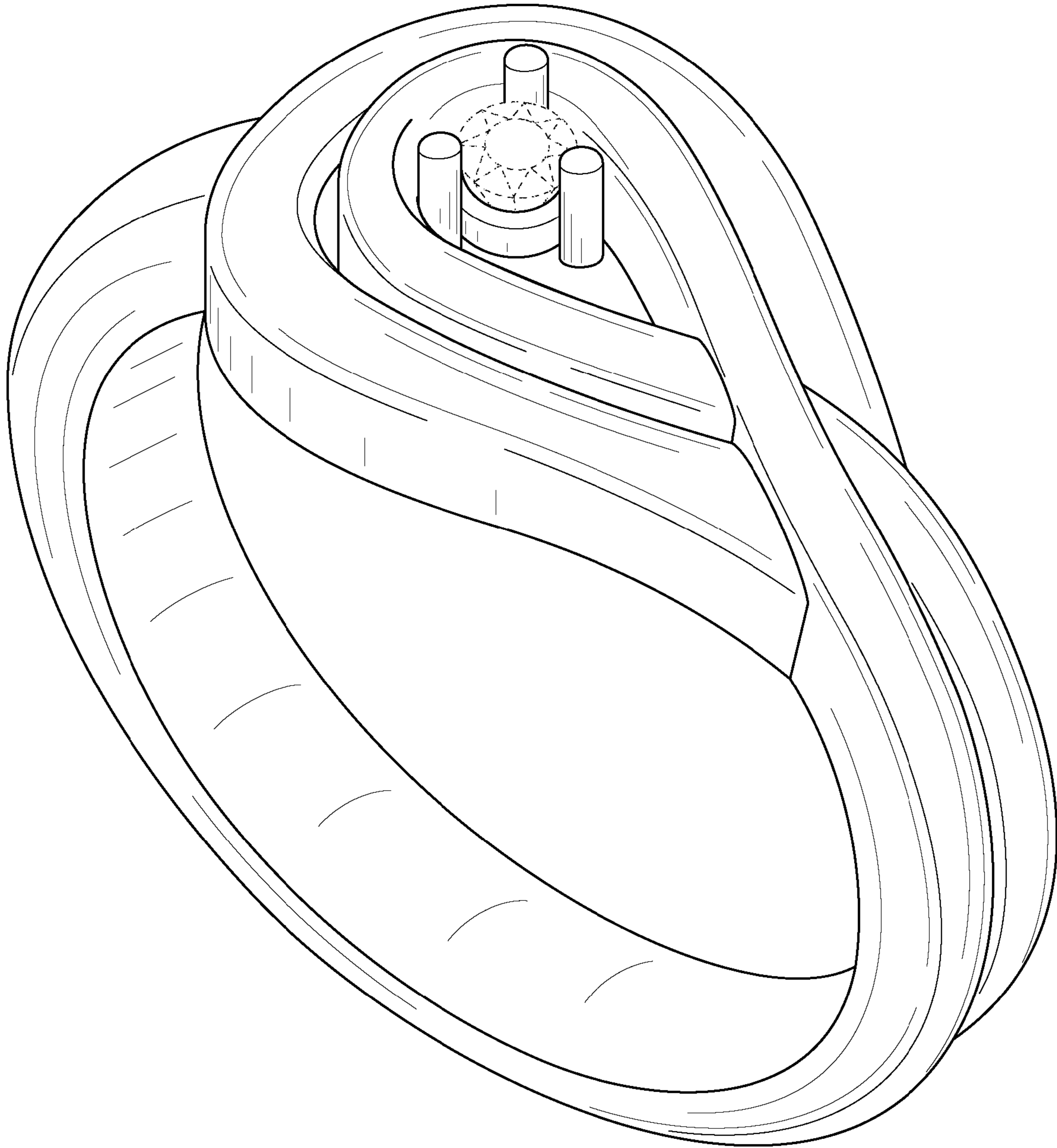


FIG. 8

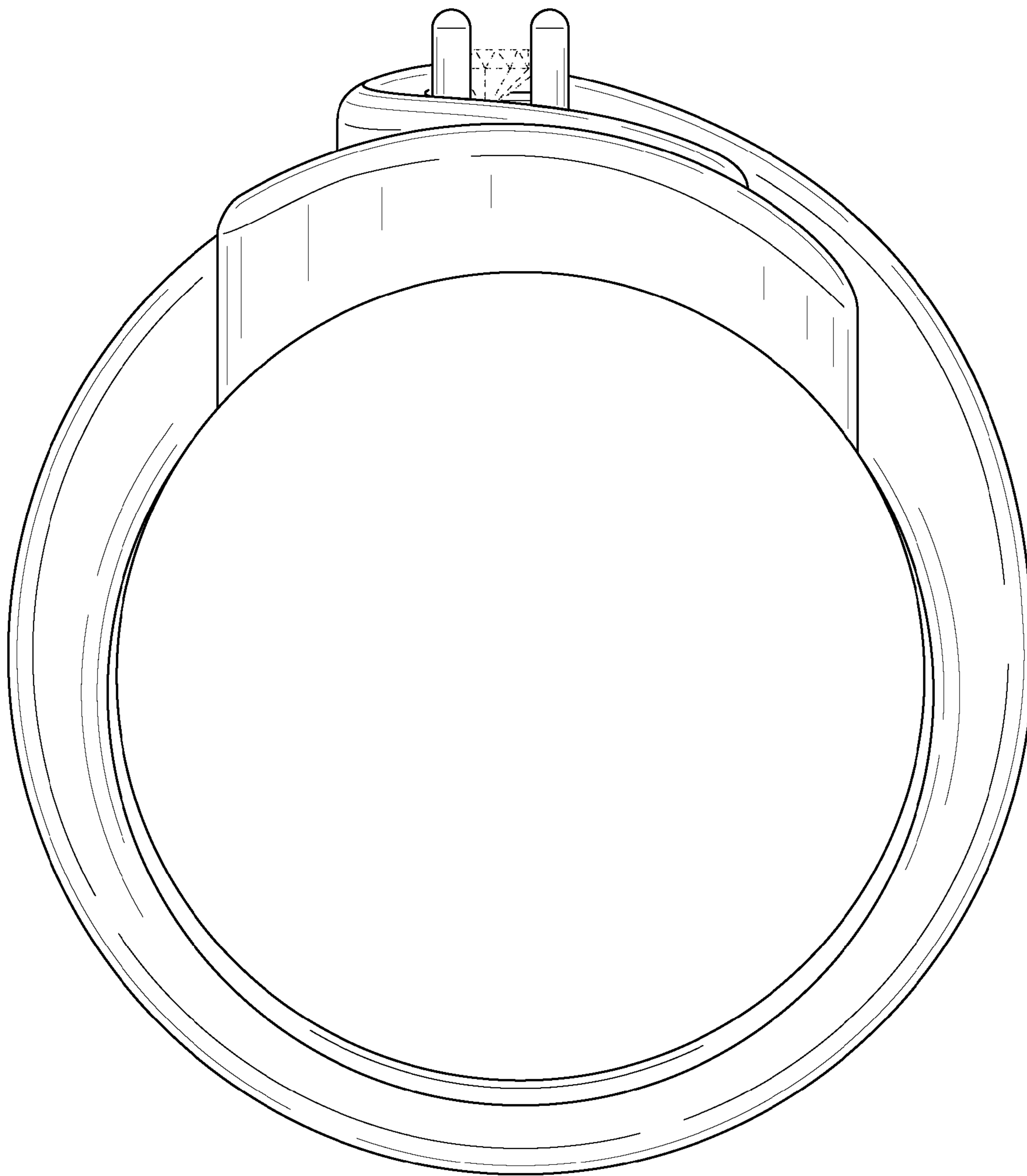


FIG. 9

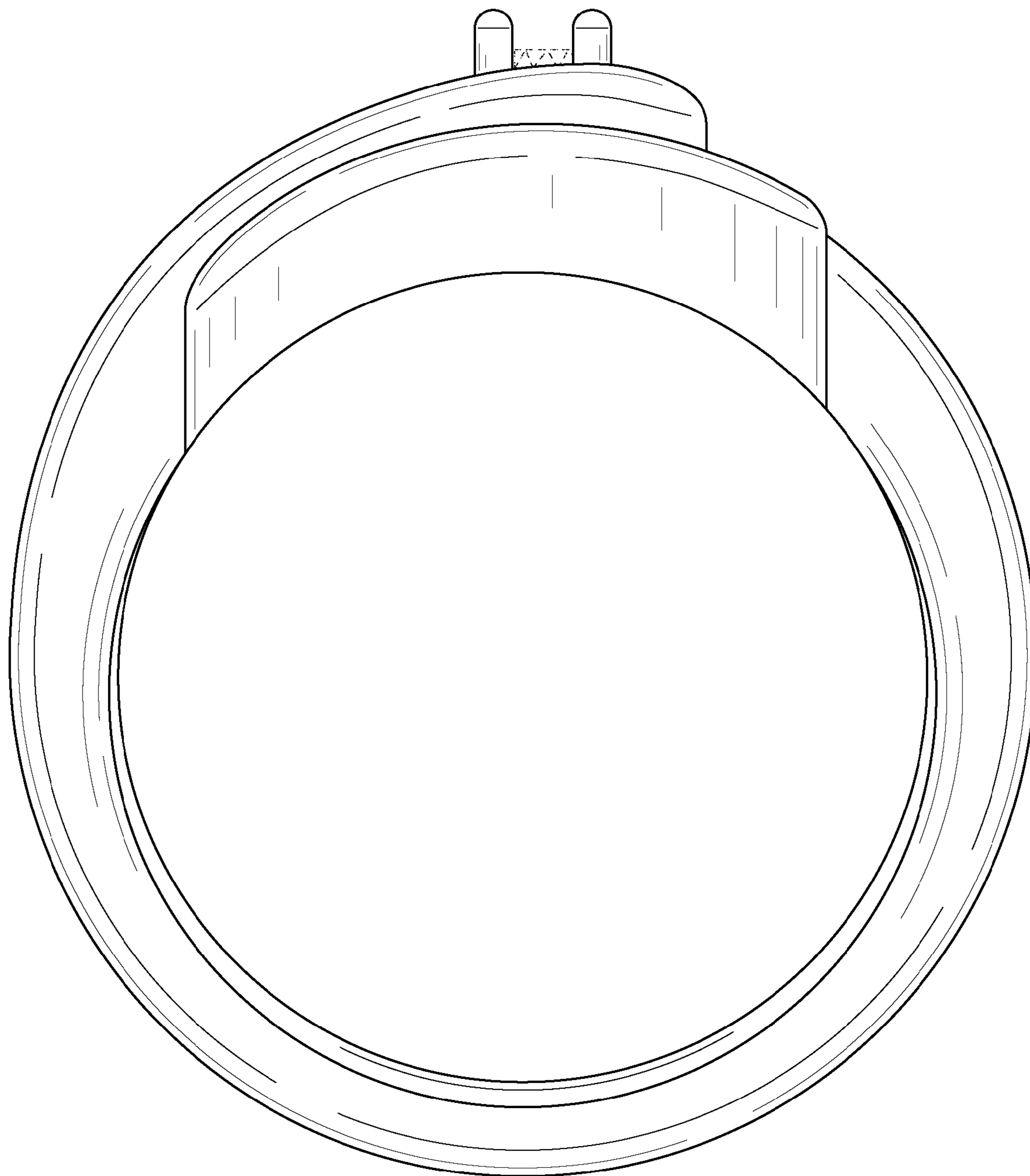


FIG. 10

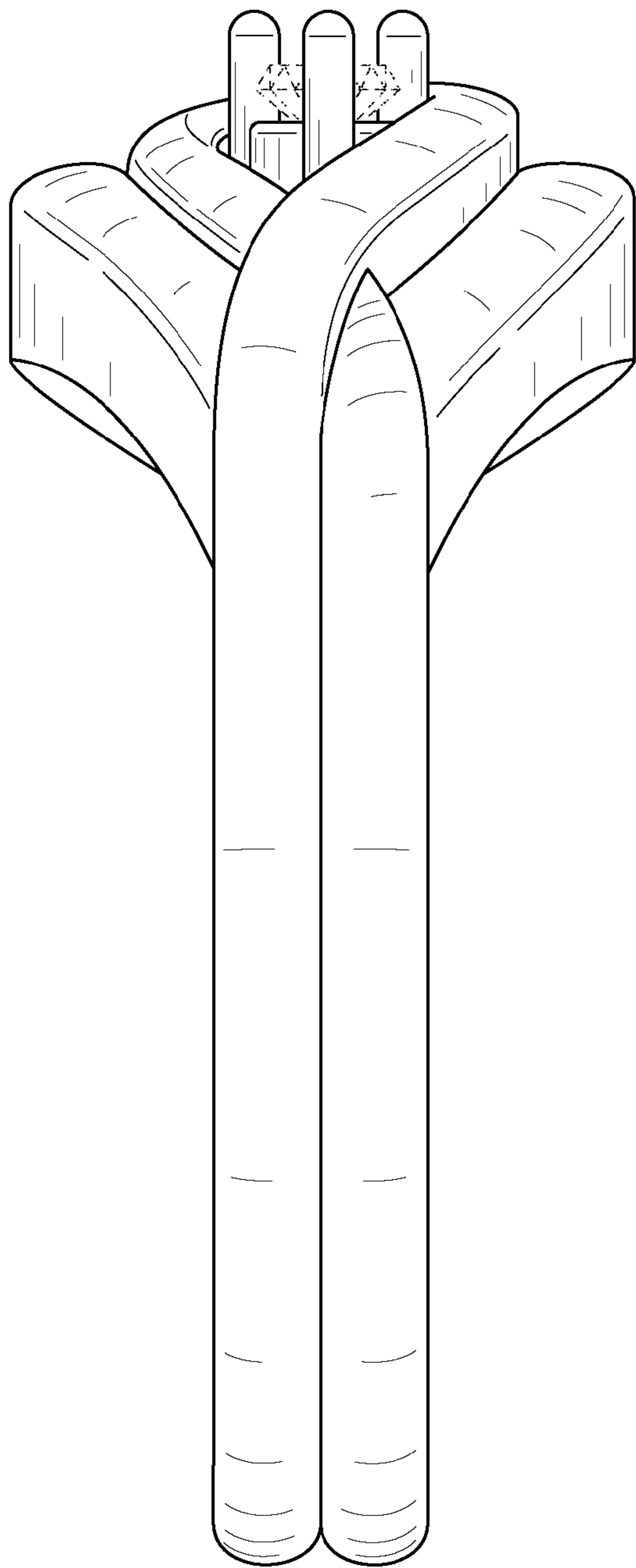


FIG. 11

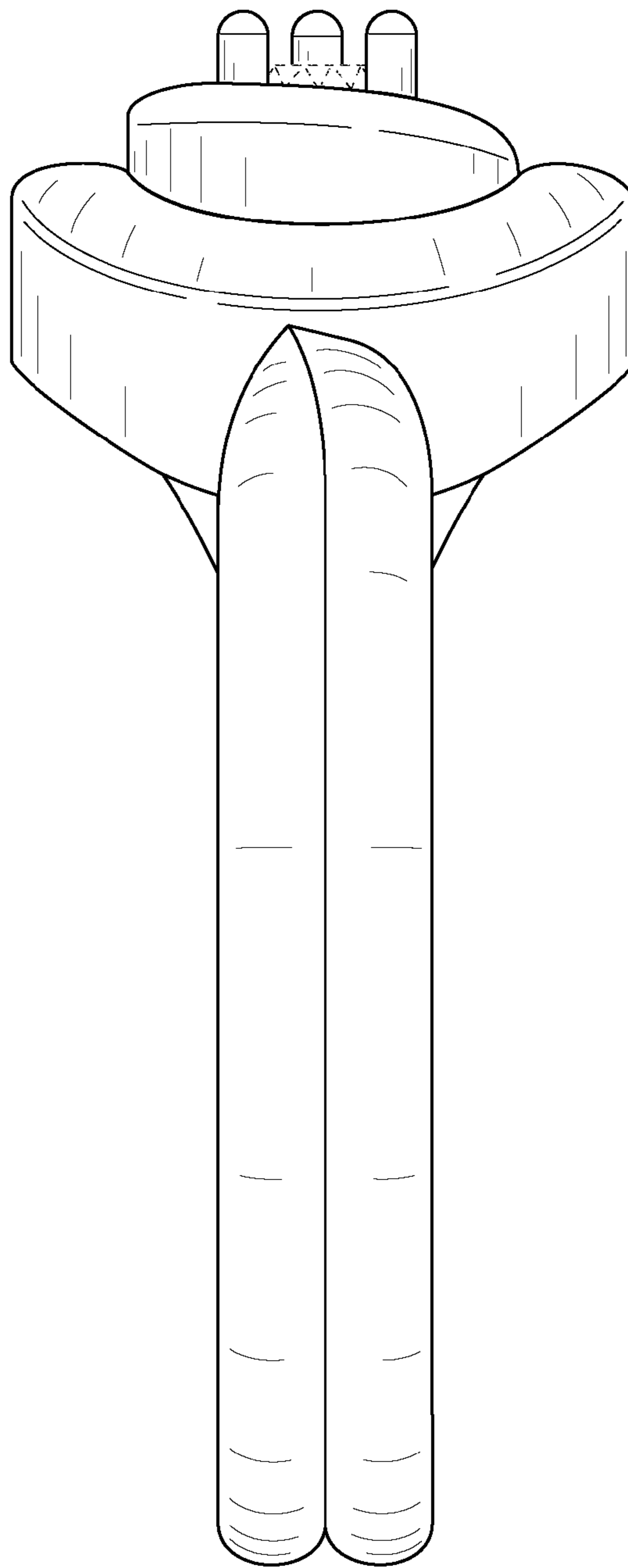


FIG. 12

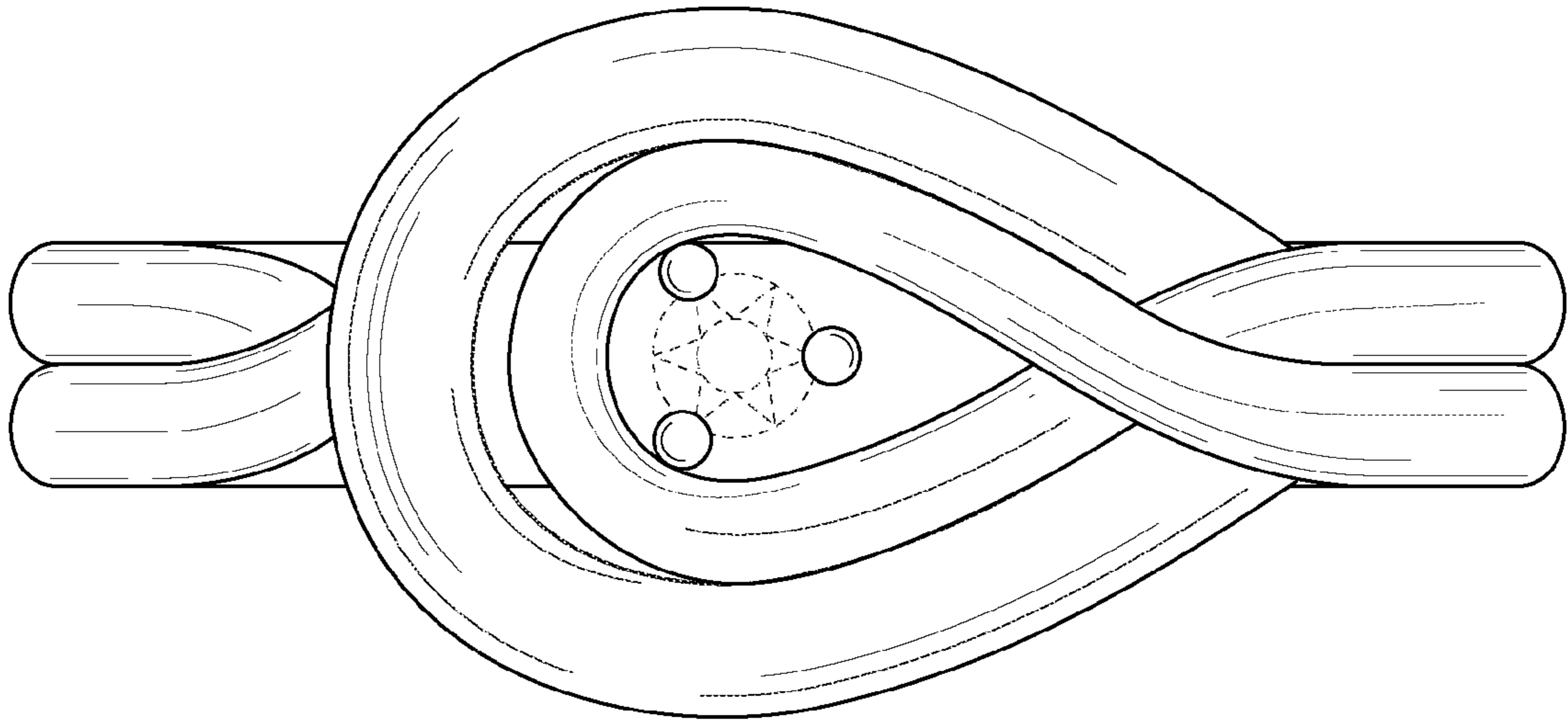


FIG. 13

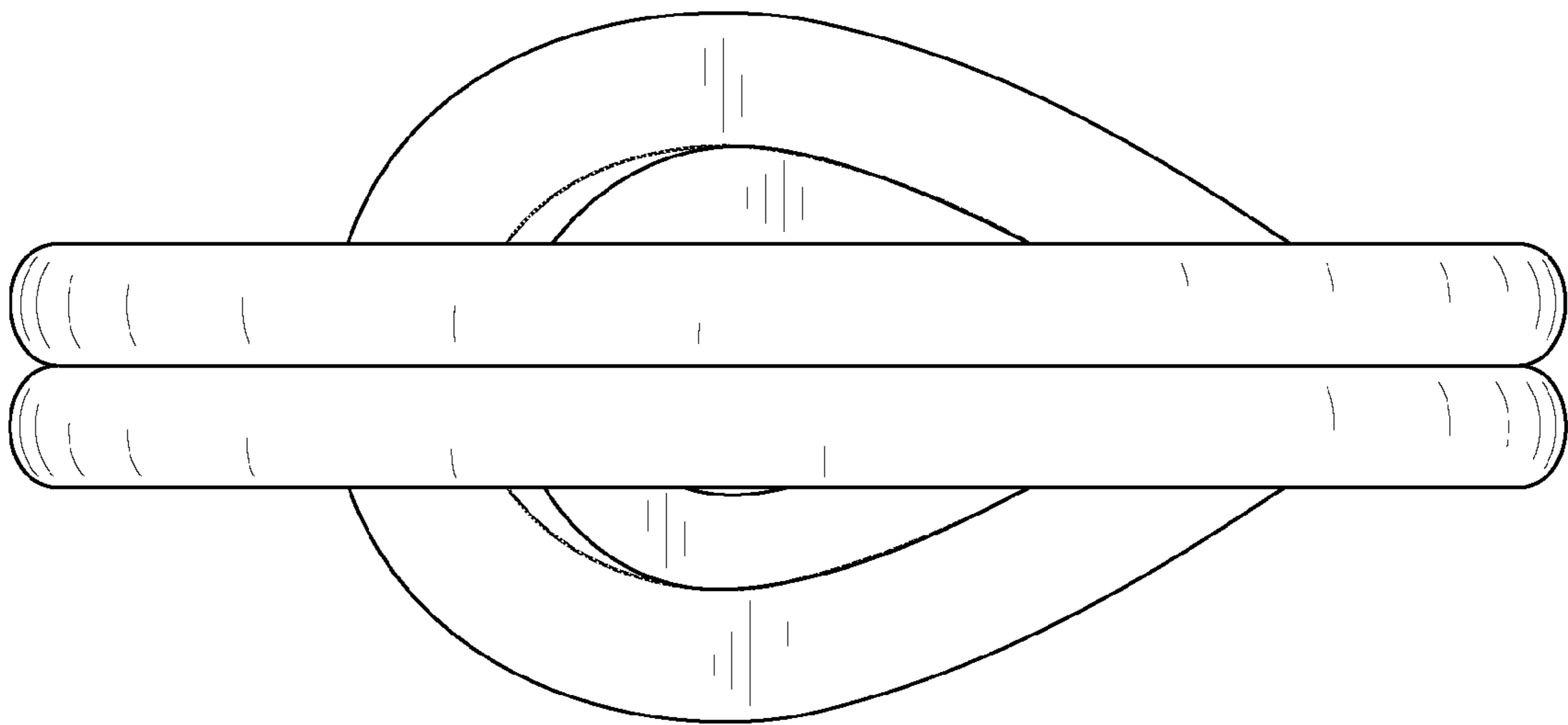


FIG. 14