



US00D621733S

(12) **United States Design Patent**
Fehrenbach et al.

(10) **Patent No.:** **US D621,733 S**

(45) **Date of Patent:** **** Aug. 17, 2010**

(54) **INSTRUMENT HOUSING**

(75) Inventors: **Josef Fehrenbach**, Haslach (DE); **Frank Becherer**, Haslach (DE); **Holger Sack**, Schiltach (DE); **Winfried Rauer**, Fischerbach (DE); **Thomas Deck**, Wolfach (DE)

(73) Assignee: **VEGA Grieshaber KG**, Wolfach (DE)

(**) Term: **14 Years**

(21) Appl. No.: **29/344,683**

(22) Filed: **Oct. 2, 2009**

(30) **Foreign Application Priority Data**

Apr. 3, 2009 (EM) 001117964-0001

(51) **LOC (9) Cl.** **10-04**

(52) **U.S. Cl.** **D10/101; D10/96**

(58) **Field of Classification Search** D10/96,
D10/99-102; 73/290 R, 290 V, 632; 250/225,
250/357.1; 324/639, 640; 333/243; 342/124;
356/339, 341

See application file for complete search history.

(56) **References Cited**

U.S. PATENT DOCUMENTS

D416,822 S * 11/1999 Slate et al. D10/103
6,538,598 B1 * 3/2003 Wilkie et al. 73/290 V
D488,735 S * 4/2004 Palmer et al. D10/99
D516,441 S * 3/2006 Iida et al. D10/46

7,106,248 B2 * 9/2006 Janitch et al. 342/124
D576,897 S * 9/2008 Quimby et al. D10/85
7,515,095 B2 * 4/2009 Wilkie et al. 73/290 R
7,532,155 B2 * 5/2009 Kleman et al. 342/124
D601,050 S * 9/2009 Satoh et al. D10/96
D613,195 S * 4/2010 Kabaya D10/96
D613,196 S * 4/2010 Kabaya D10/96
7,701,385 B2 * 4/2010 Edvardsson 342/124

* cited by examiner

Primary Examiner—Antoine D Davis

(74) *Attorney, Agent, or Firm*—Moss & Barnett

(57) **CLAIM**

The ornamental design for an instrument housing, as shown.

DESCRIPTION

FIG. 1 is a perspective view of a front side of the instrument housing showing our new design;

FIG. 2 is a perspective view of a bottom side of the instrument housing;

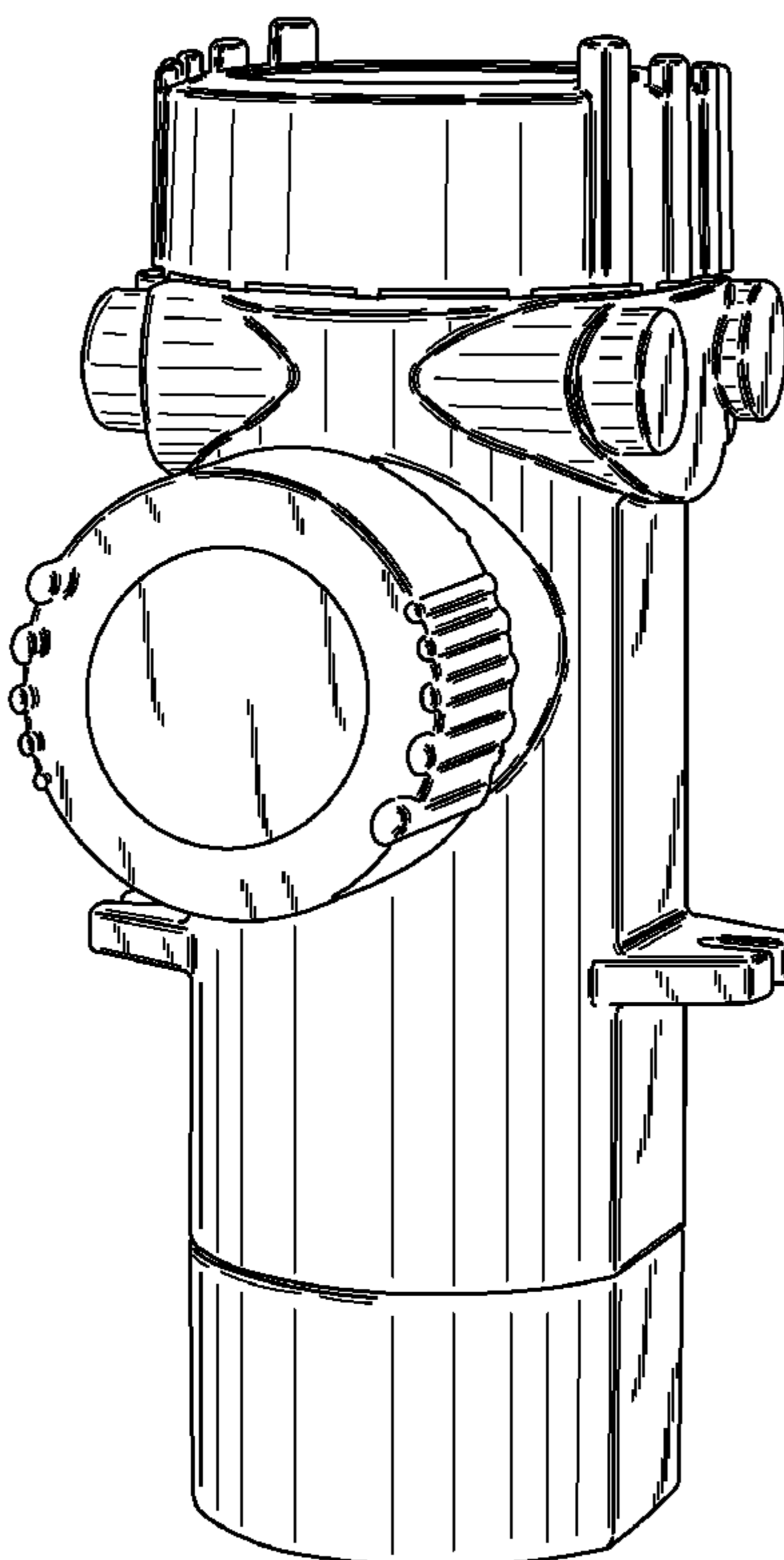
FIG. 3 is a perspective view of a side of the instrument housing;

FIG. 4 is a plan view of a side of the instrument housing, opposite that of FIG. 3;

FIG. 5 is a perspective view of a top of the instrument housing; and,

FIG. 6 is a perspective view of a back of the instrument housing.

1 Claim, 6 Drawing Sheets



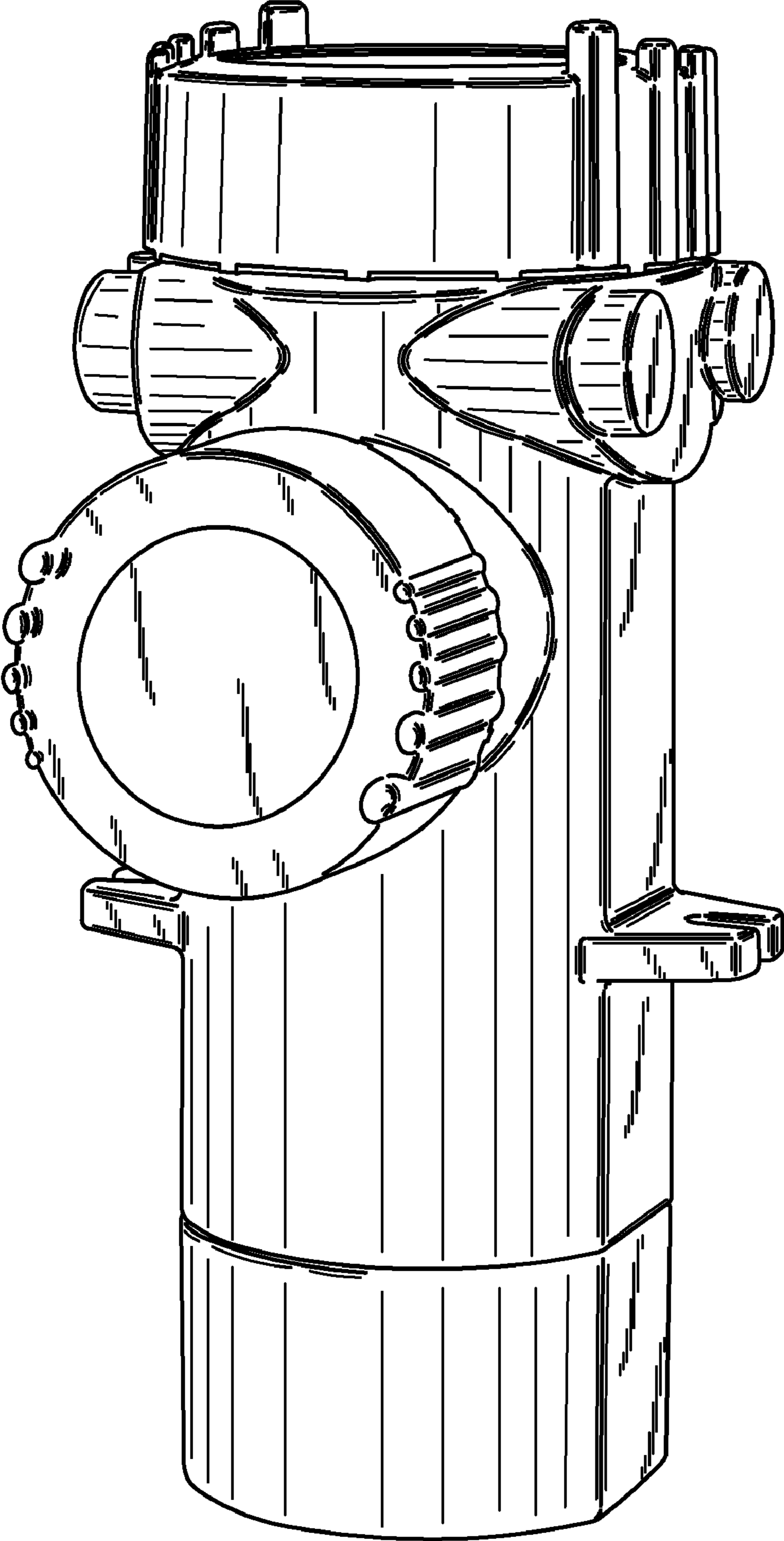


Fig. 1

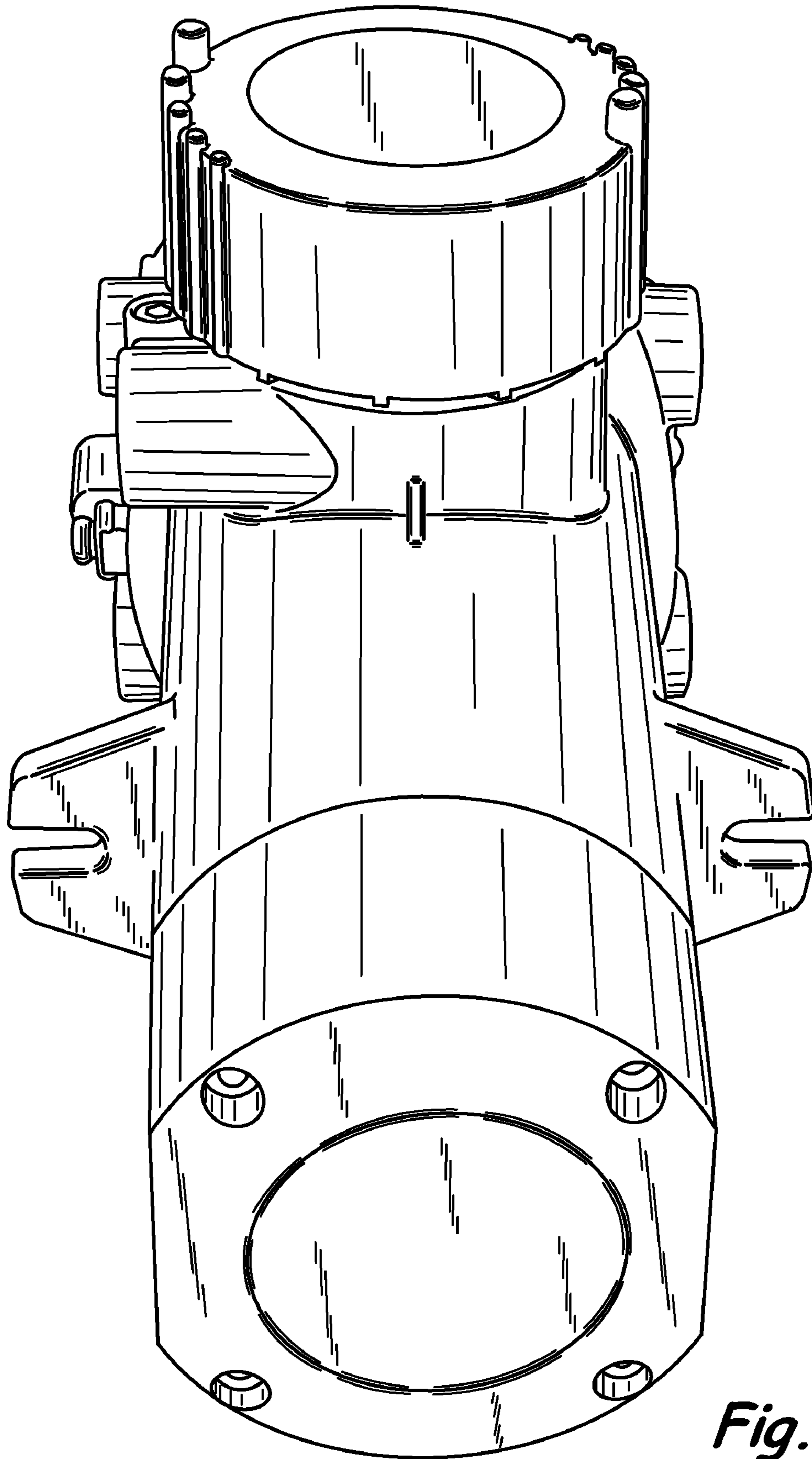


Fig. 2

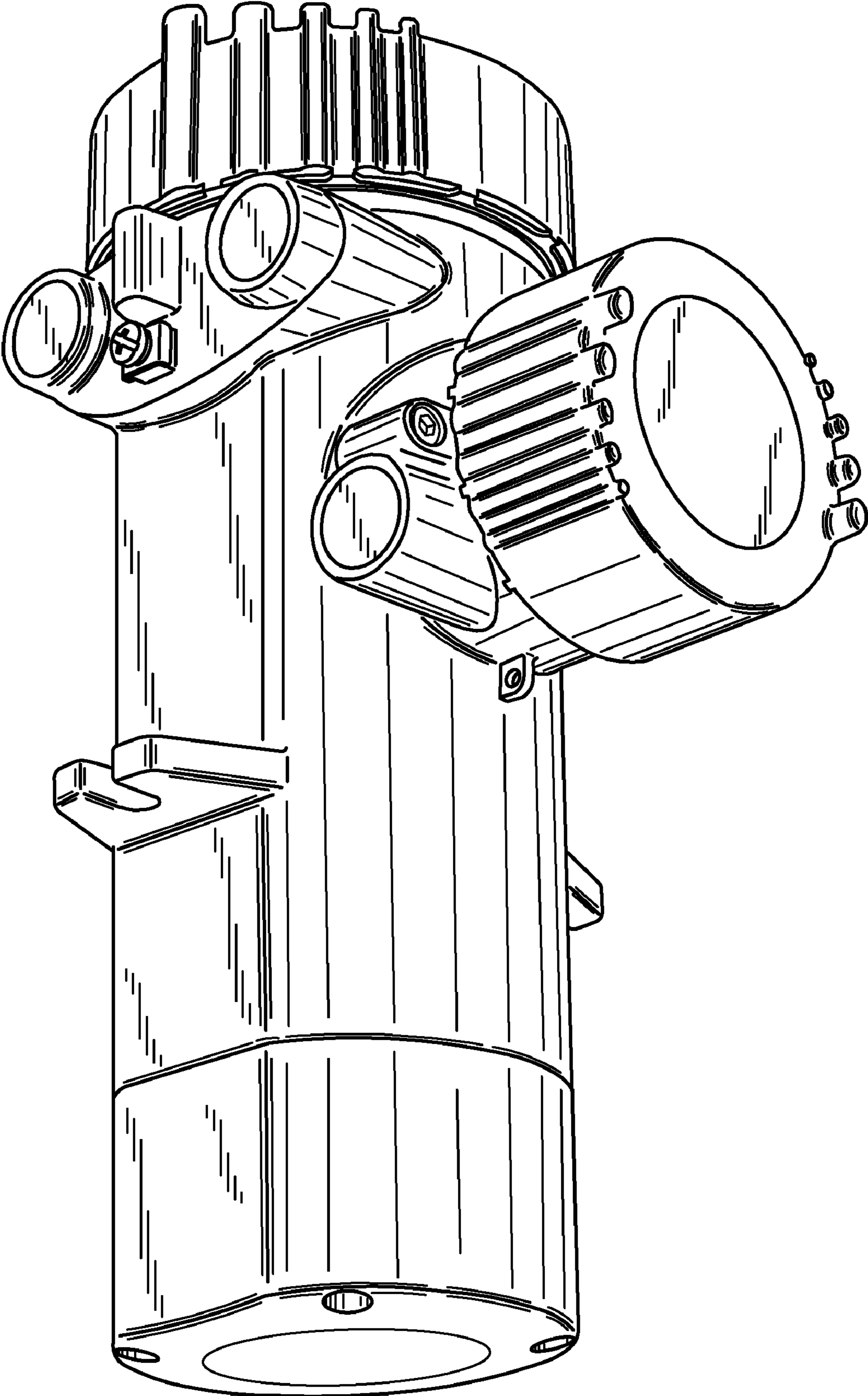


Fig. 3

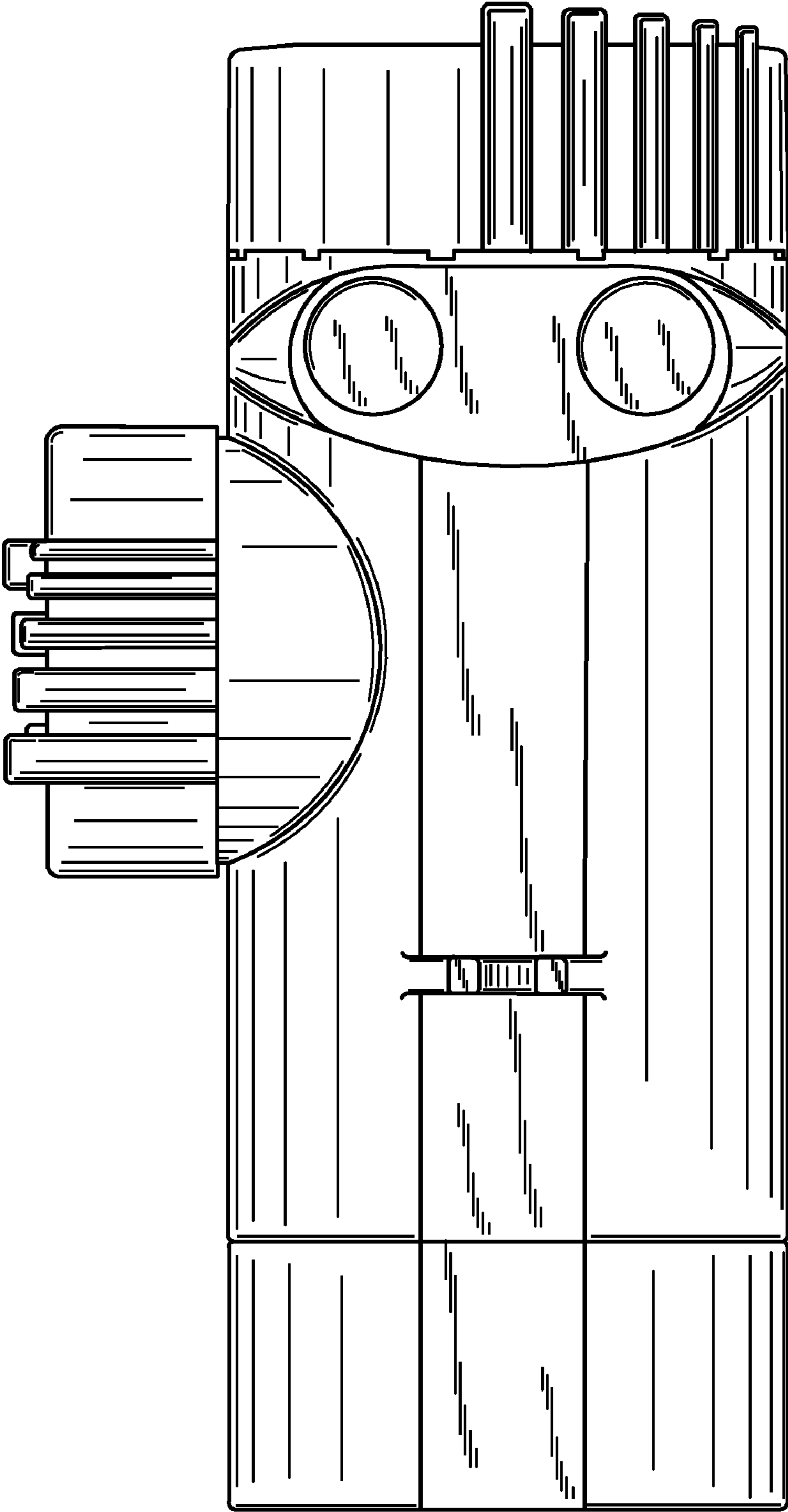


Fig. 4

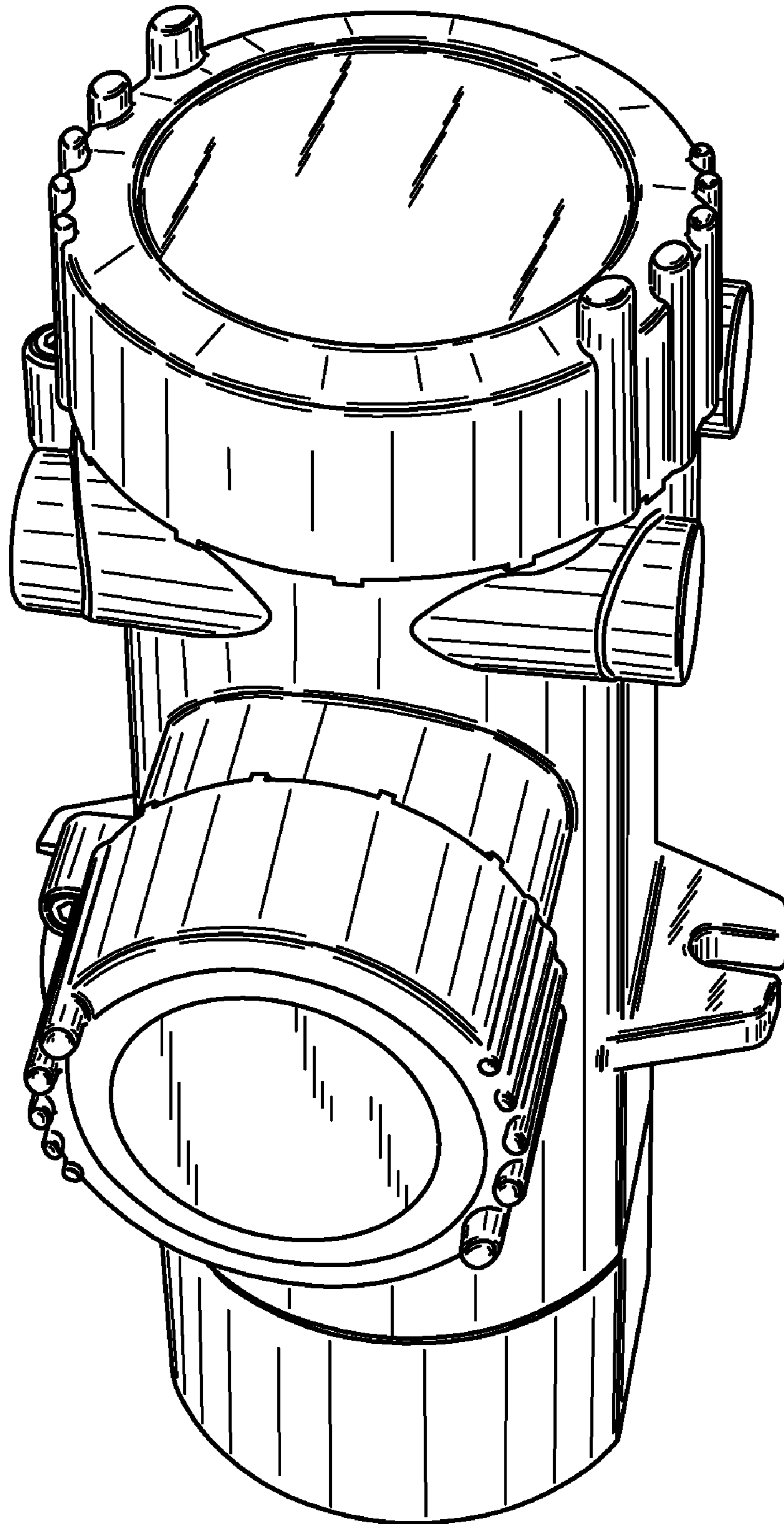


Fig. 5

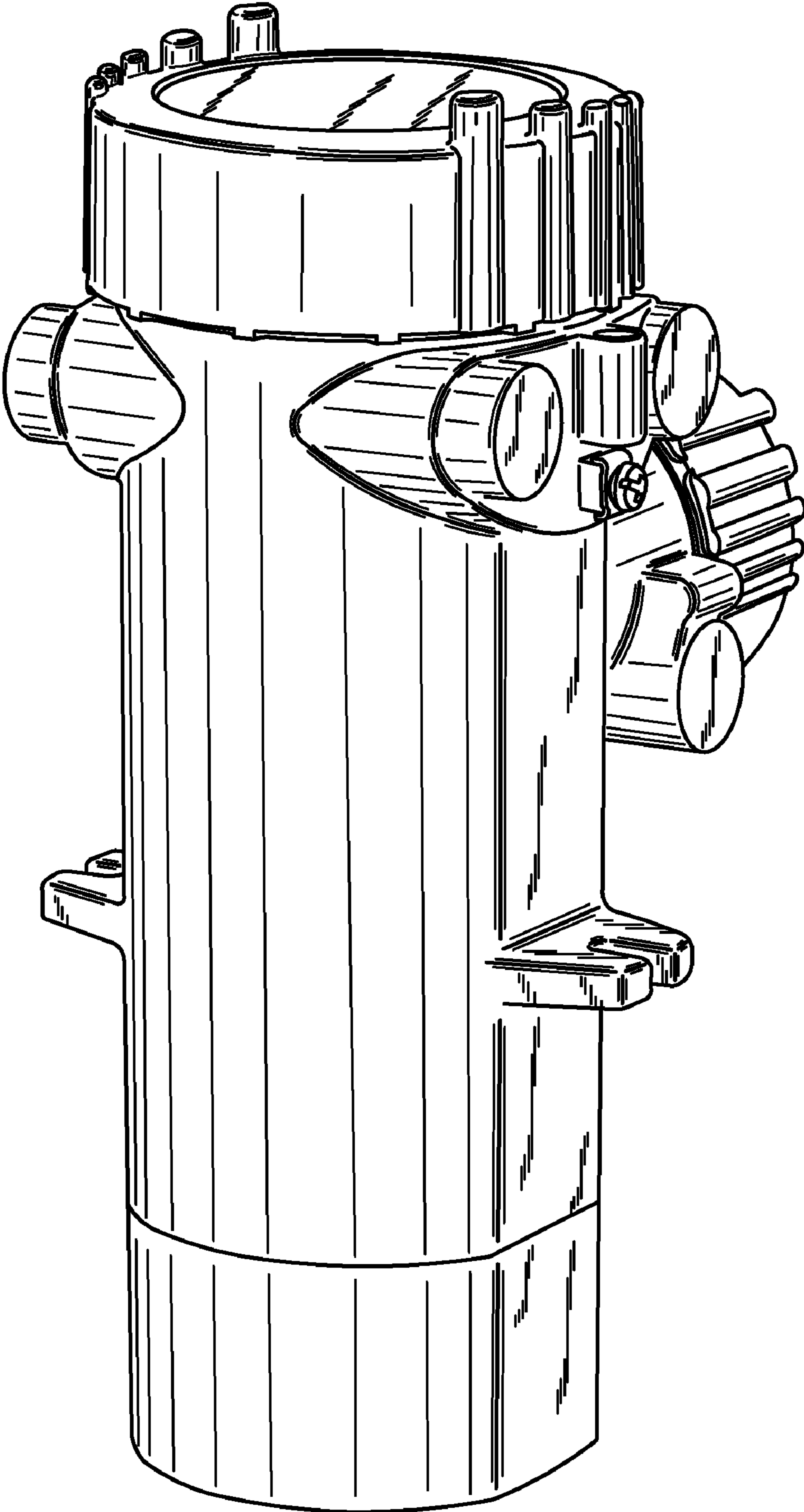


Fig. 6