



US00D621732S

(12) **United States Design Patent**
Whitcomb et al.

(10) **Patent No.:** **US D621,732 S**
(45) **Date of Patent:** **** Aug. 17, 2010**

(54) **DISPLAY HOUSING FOR A VIDEO INSPECTION DEVICE**

(75) Inventors: **Shepherd Whitcomb**, Ann Arbor, MI (US); **Jeff Miller**, Northville, MI (US)

(73) Assignee: **Perceptron, Inc.**, Plymouth, MI (US)

(**) Term: **14 Years**

(21) Appl. No.: **29/343,530**

(22) Filed: **Sep. 15, 2009**

(51) **LOC (9) Cl.** **10-04**

(52) **U.S. Cl.** **D10/78; D10/104**

(58) **Field of Classification Search** D10/78, D10/104, 46; D16/202; 250/208.1, 330, 250/336.1, 338.1, 339.03, 395, 256; 348/65-68, 348/77, 141, 84, 45, 74; 362/1, 109, 294, 362/373, 399; 713/176; 324/329, 67, 326; 73/623, 865.8, 151; 356/241, 237, 378; 15/324, 15/339; 385/116, 117; 29/729, 592.1, 593; 439/585, 587, 588, 589; 600/109, 129, 131, 600/175, 177

See application file for complete search history.

(56) **References Cited**

U.S. PATENT DOCUMENTS

D594,361 S *	6/2009	Miller et al.	D10/78
D594,362 S *	6/2009	Miller	D10/78
7,584,534 B2 *	9/2009	Pease et al.	29/729
7,679,041 B2 *	3/2010	Lia	250/208.1
D613,863 S *	4/2010	Chen	D10/78

* cited by examiner

Primary Examiner—Antoine D Davis

(74) *Attorney, Agent, or Firm*—Harness, Dickey & Pierce, P.L.C.

(57) **CLAIM**

The ornamental design for a display housing for a video inspection device, as shown and described.

DESCRIPTION

FIG. 1 is a perspective view of an exemplary video inspection device which embodies a housing in accordance with the present design;

FIG. 2 is a perspective view of a first embodiment of the housing;

FIG. 3 is a rear view of the first embodiment of the housing;

FIG. 4 is a front view of the first embodiment of the housing;

FIG. 5 is a side view of the first embodiment of the housing, the other side view being a mirror image thereof;

FIG. 6 is a top view of the first embodiment of the housing;

FIG. 7 is a bottom view of the first embodiment of the housing;

FIG. 8 is a perspective view of a second embodiment of an exemplary video inspection device which embodies a housing in accordance with the present design;

FIG. 9 is a perspective view of the second embodiment of the housing;

FIG. 10 is a rear view of the second embodiment of the housing;

FIG. 11 is a front view of the second embodiment of the housing;

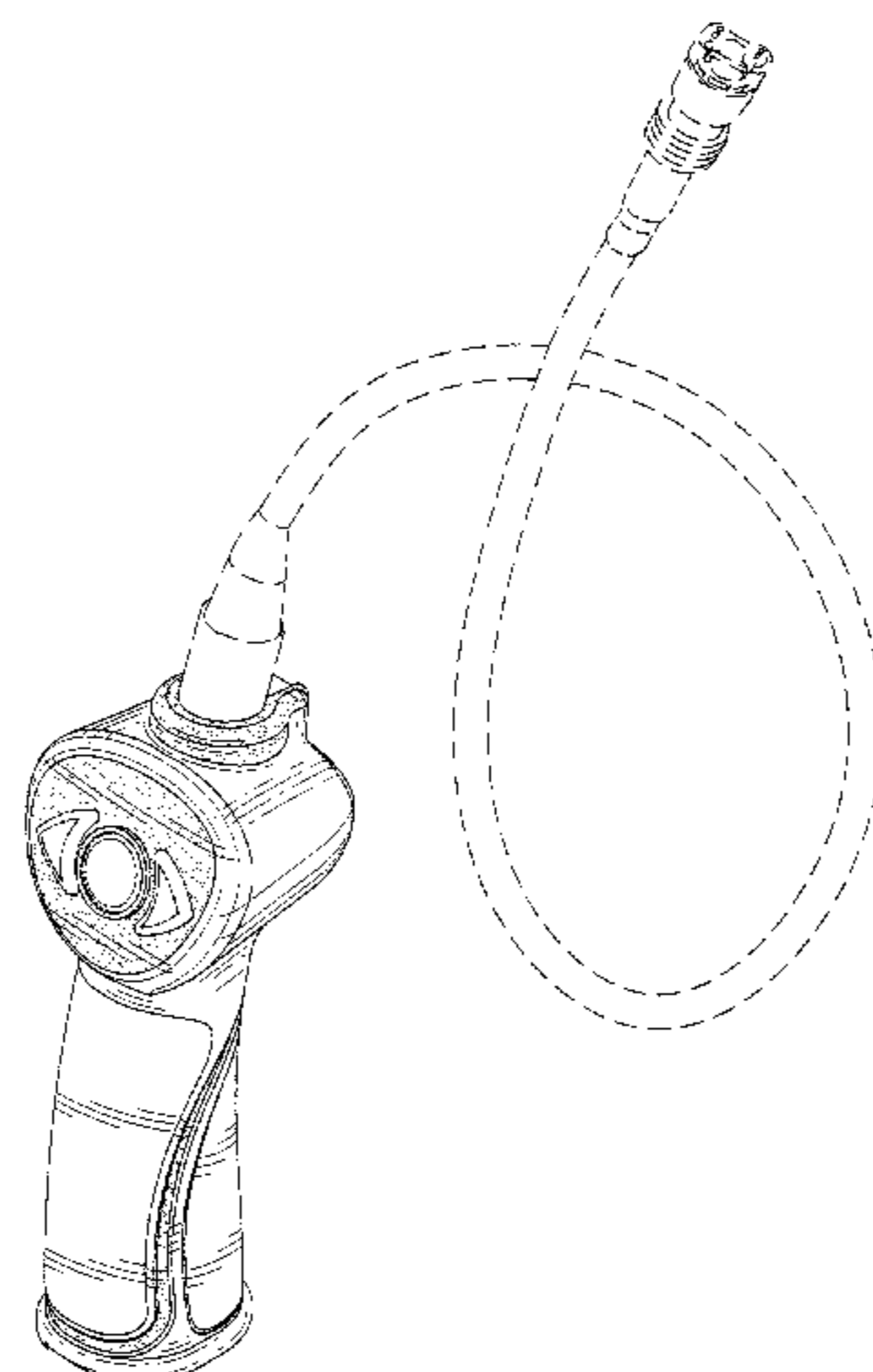
FIG. 12 is a side view of the second embodiment of the housing, the other side view being a mirror image thereof;

FIG. 13 is a top view of the second embodiment of the housing; and,

FIG. 14 is a bottom view of the second embodiment of the housing.

It is to be understood that those portions of the housing shown in broken line in the accompanying figures do not constitute an integral part of the claimed design and, therefore, are disclaimed as part of the claimed design.

1 Claim, 12 Drawing Sheets



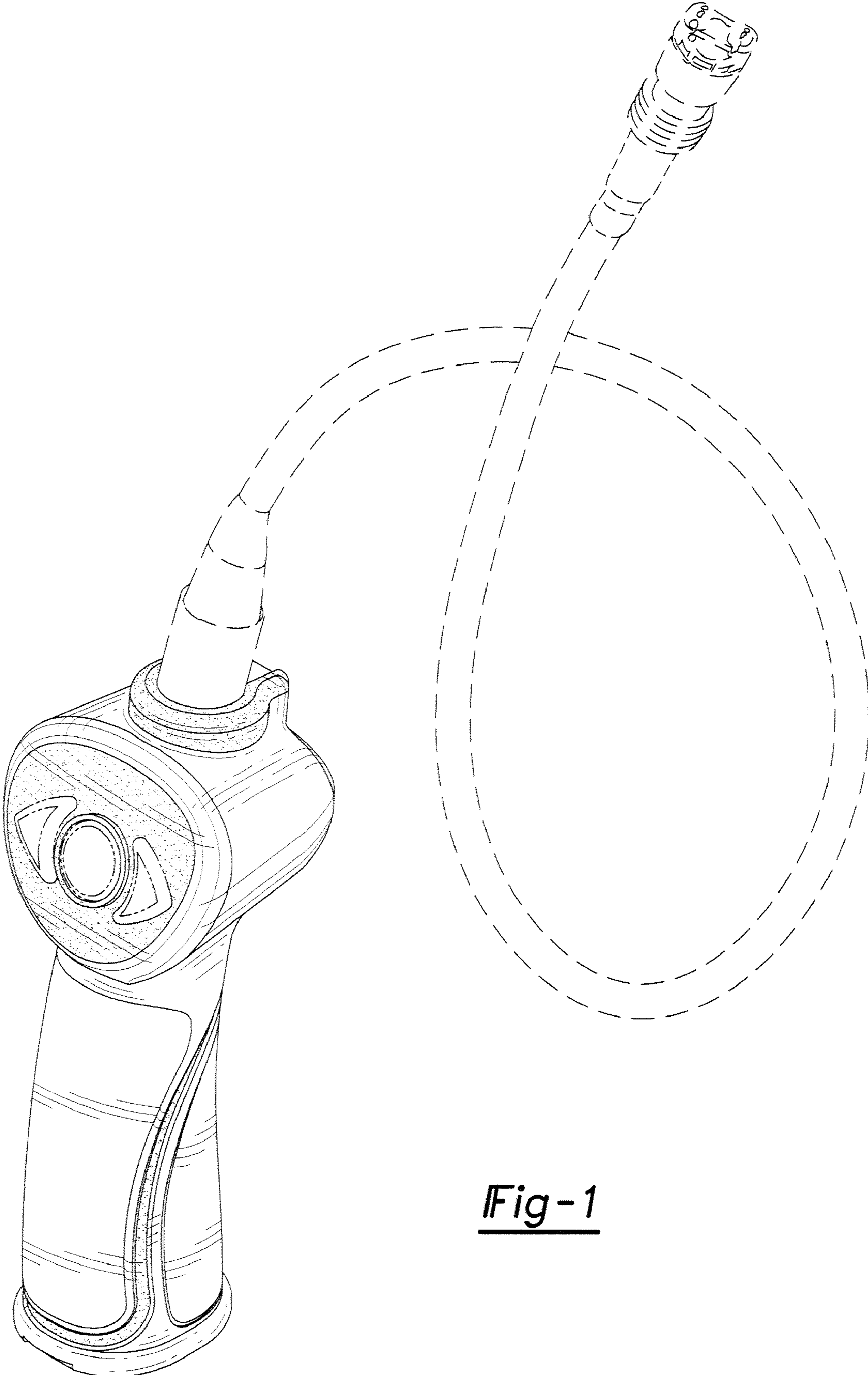


Fig-1

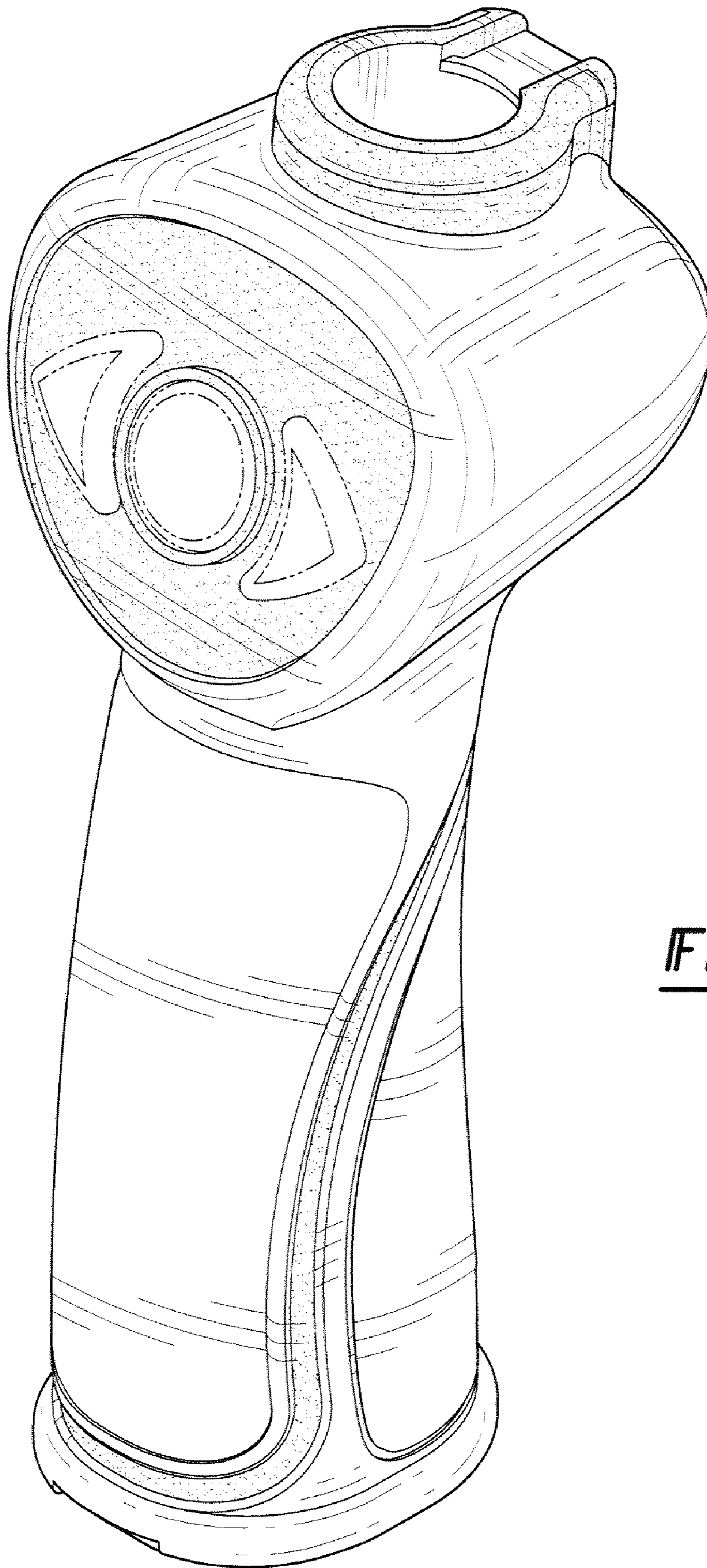


Fig-2

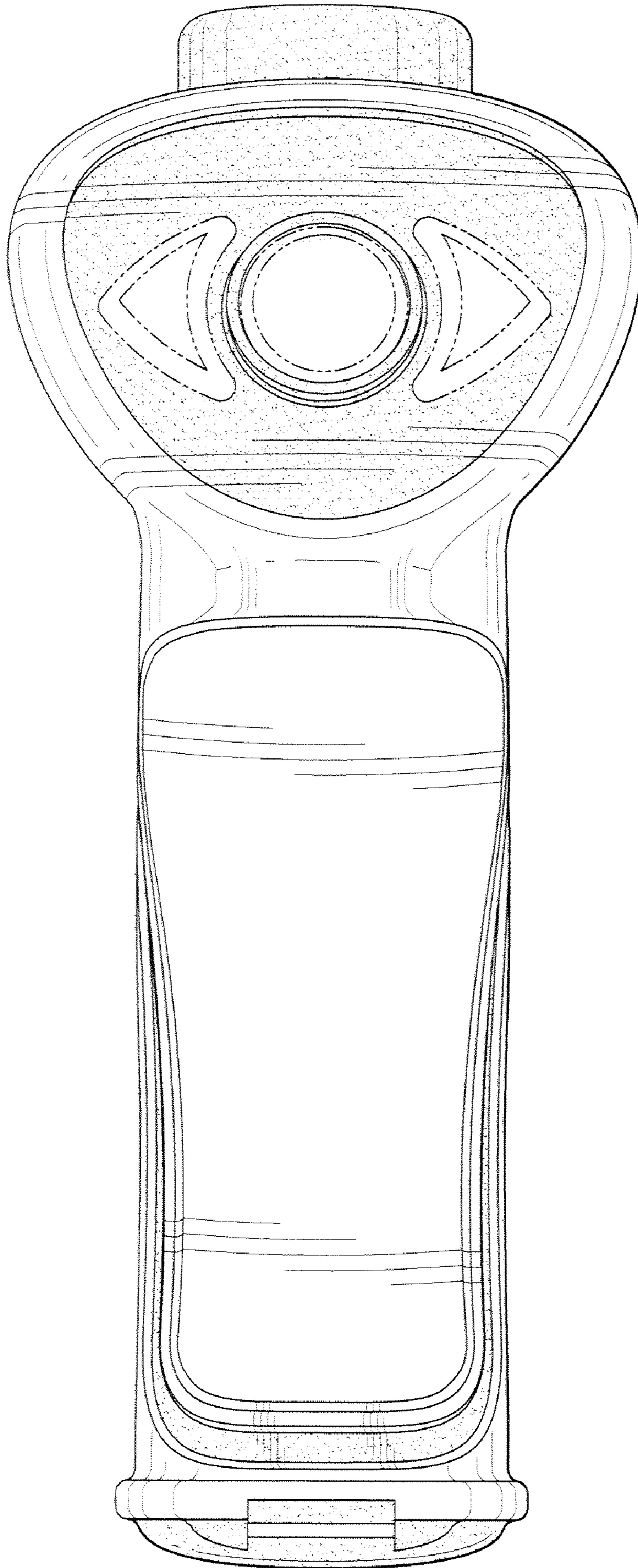


Fig-3

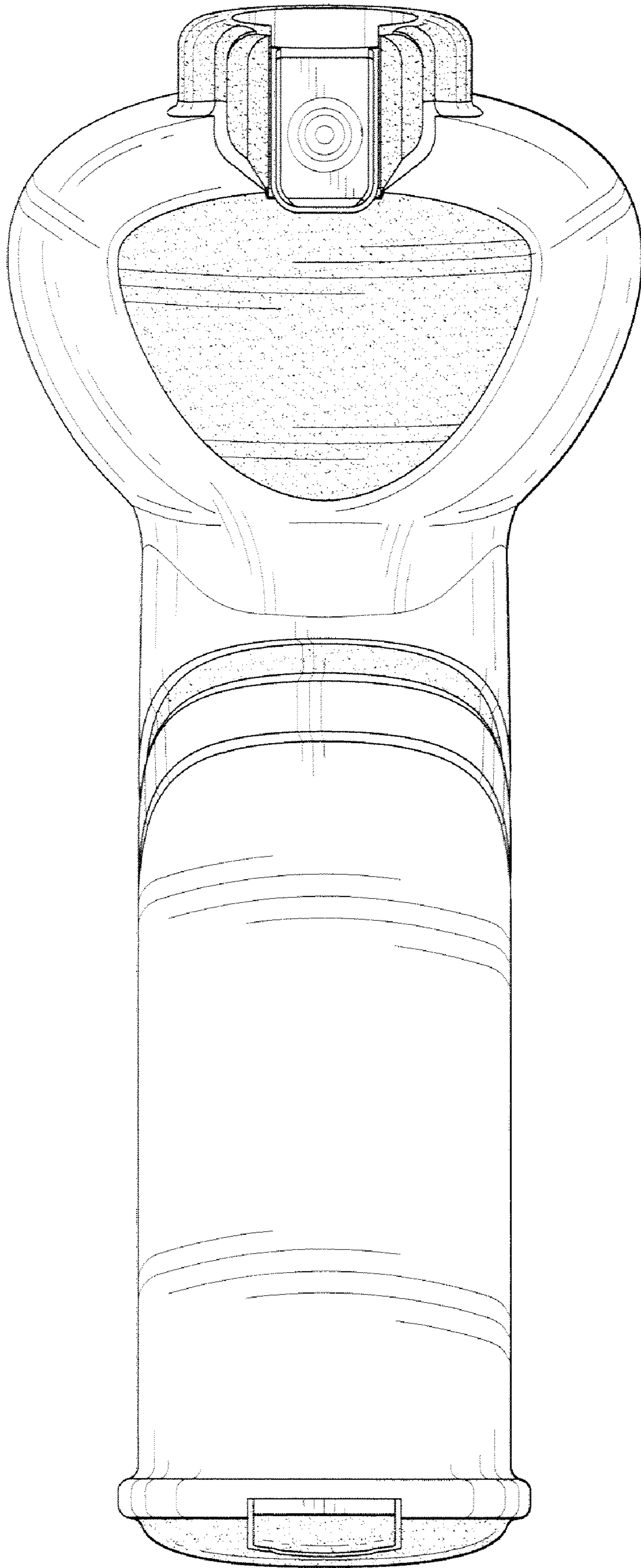


Fig-4

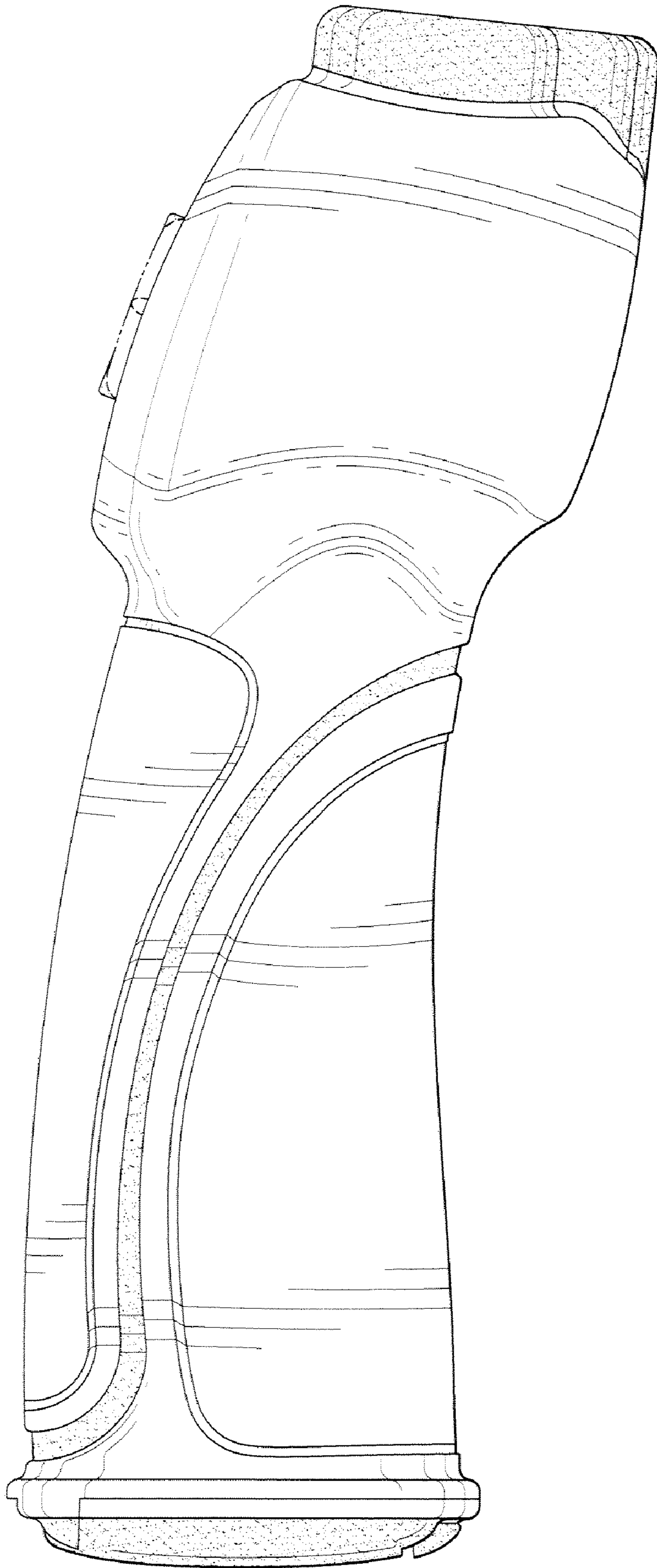


Fig-5

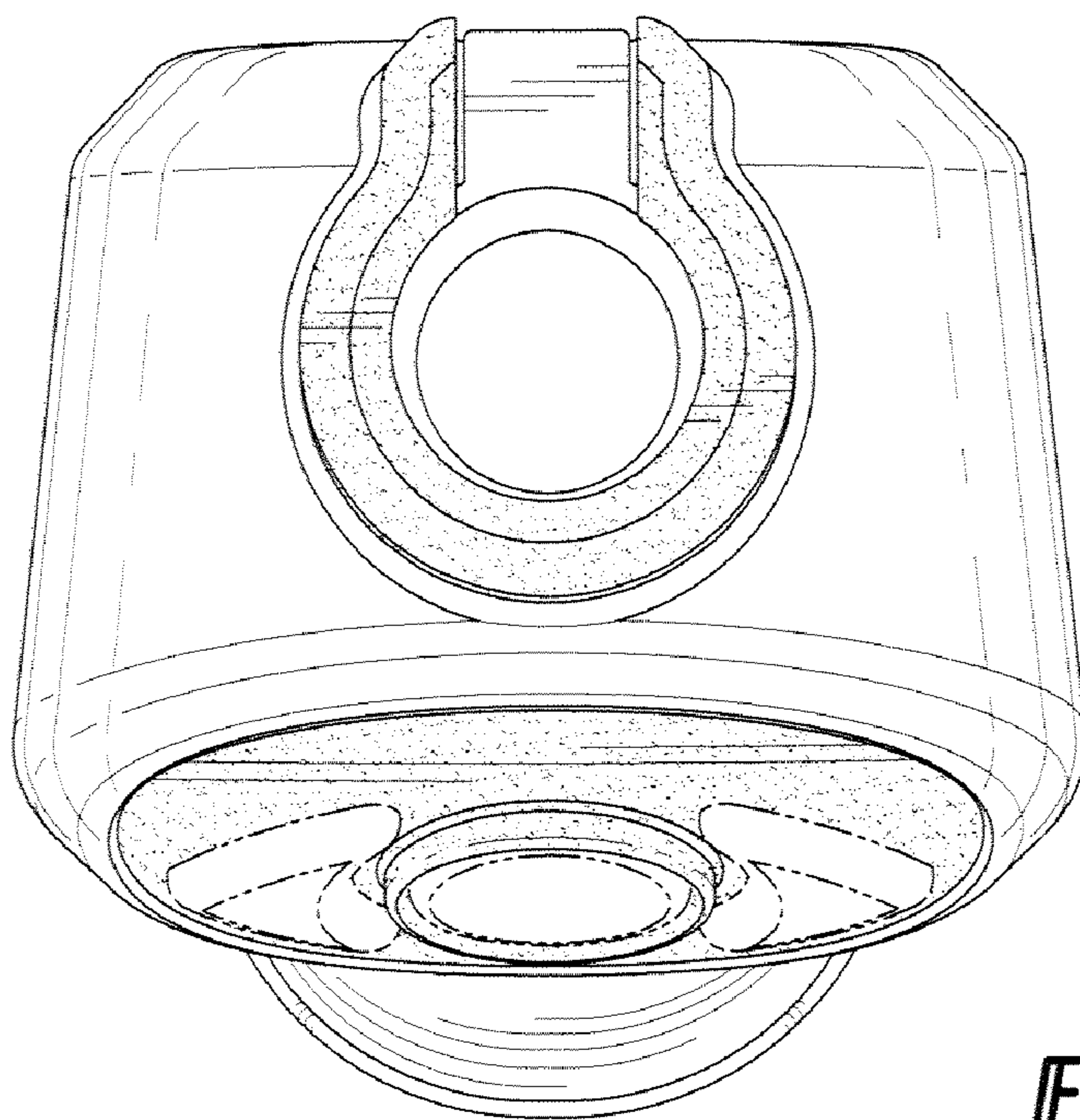


Fig-6

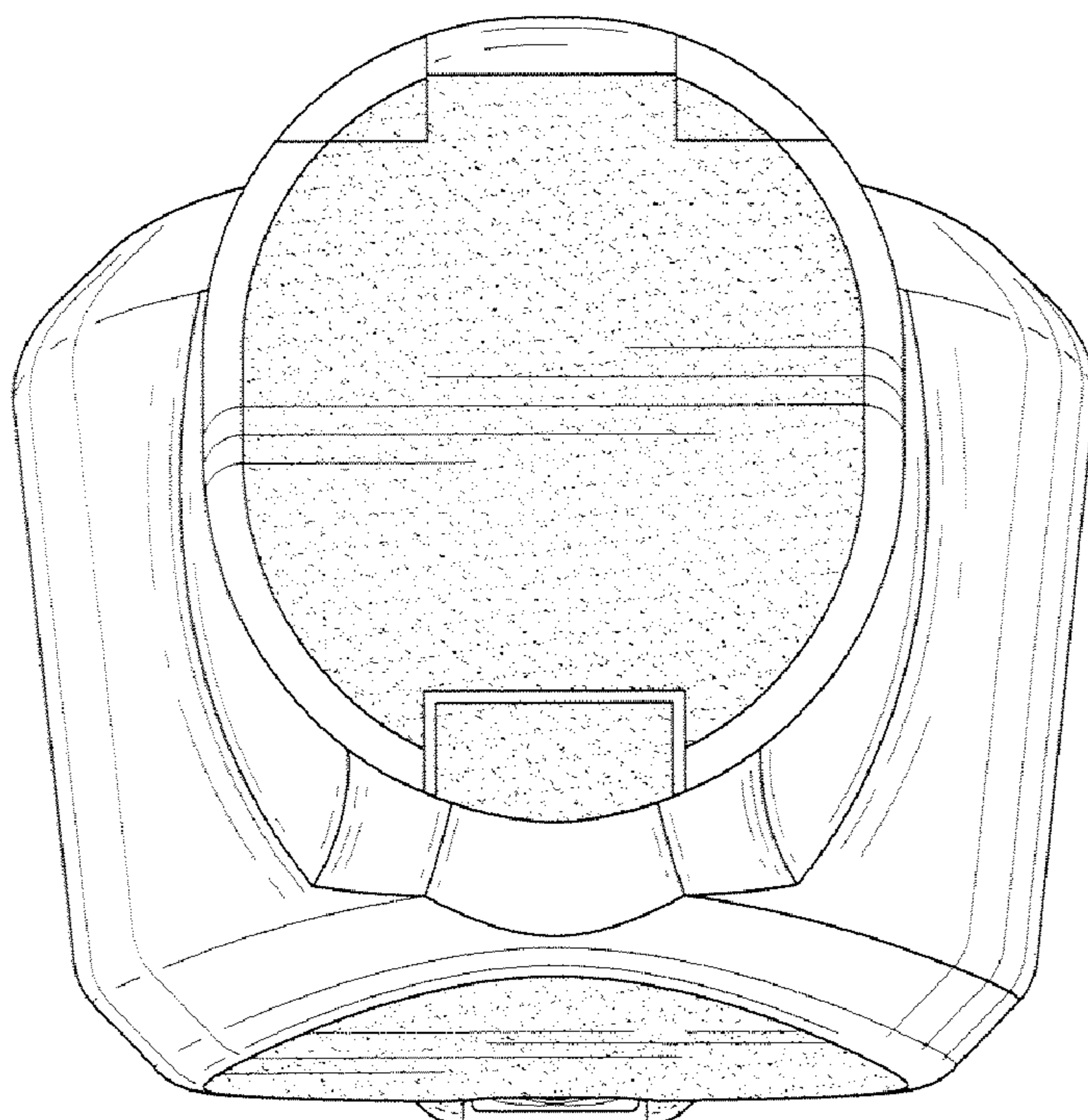


Fig-7

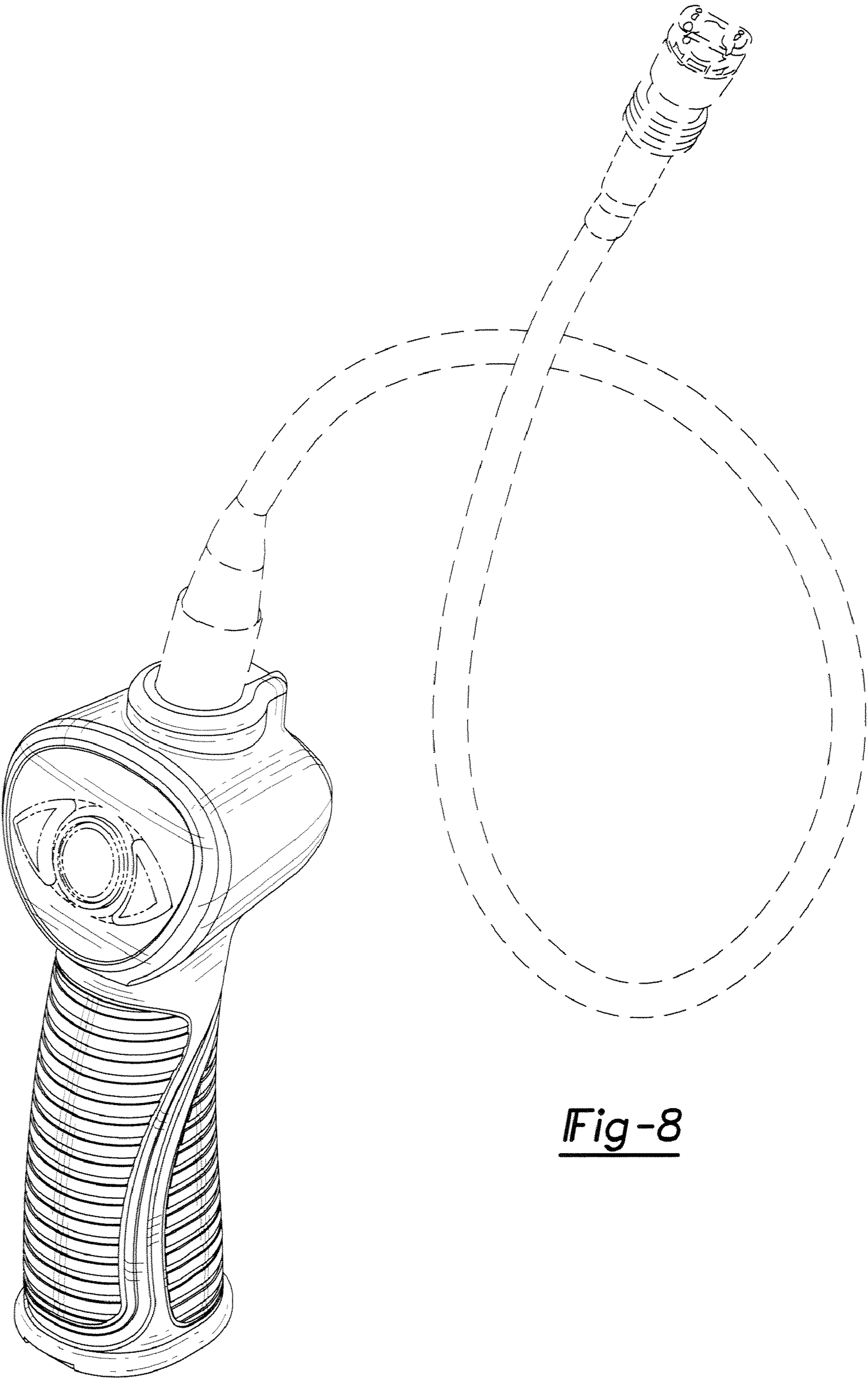


Fig-8

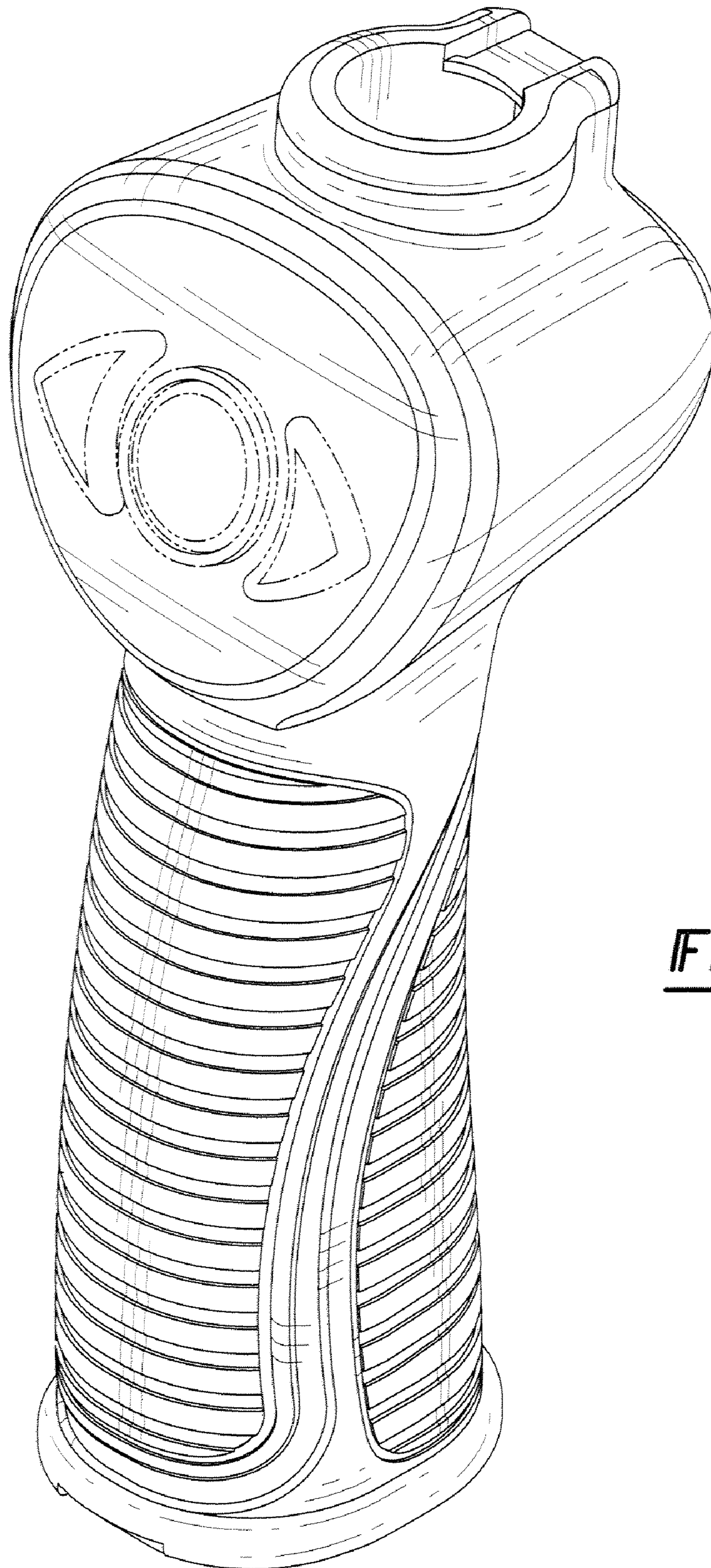


Fig-9

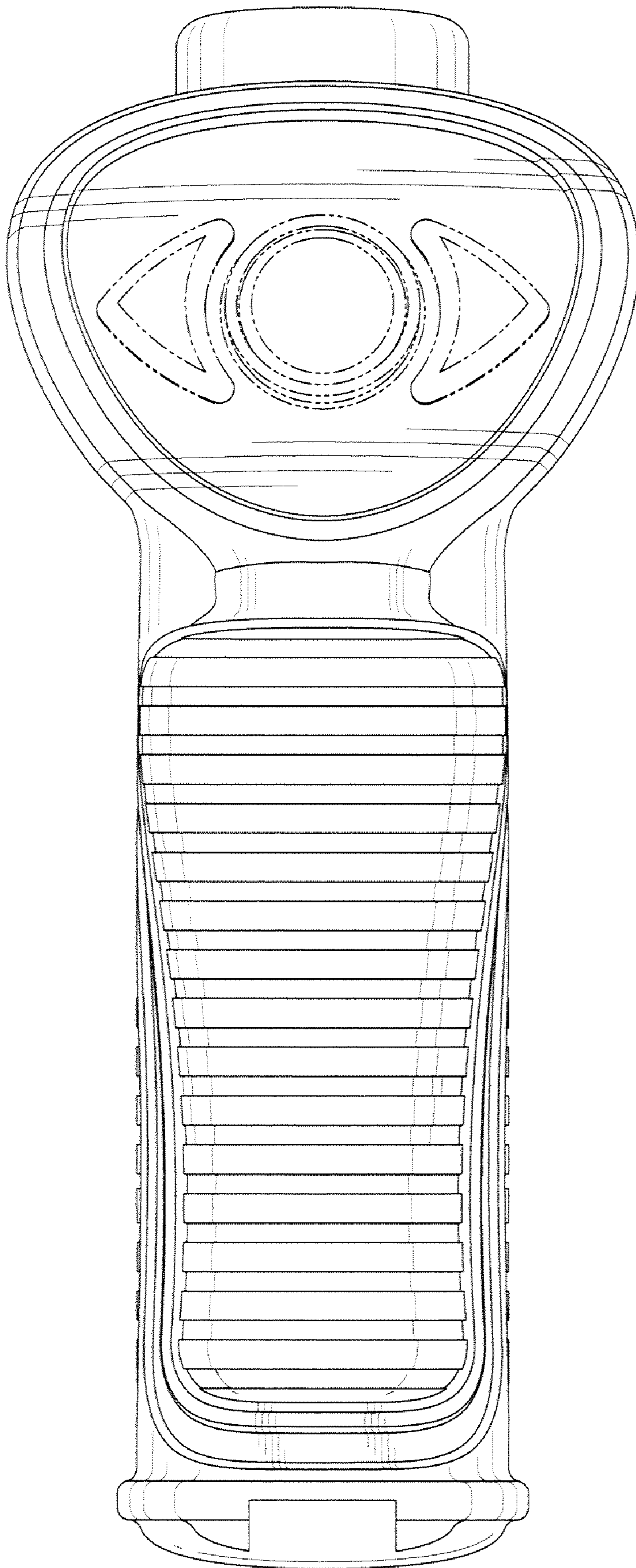


Fig-10

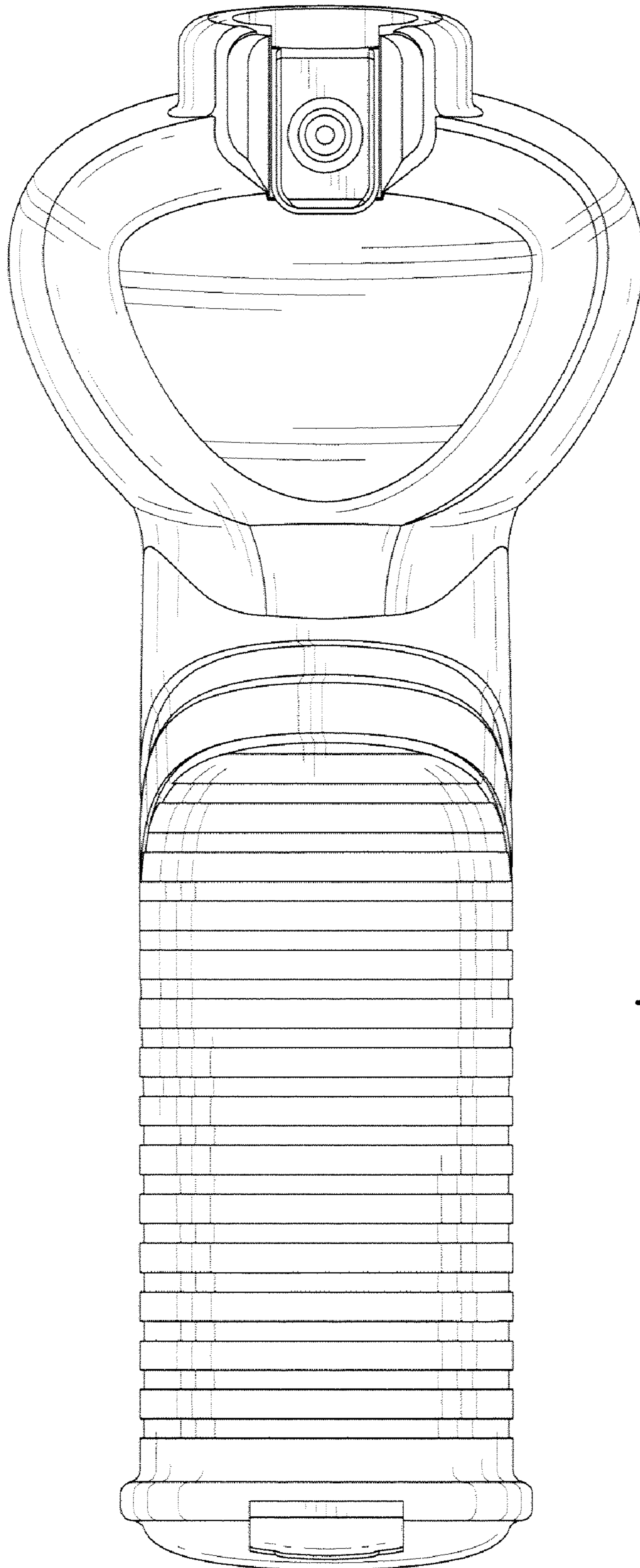


Fig-11

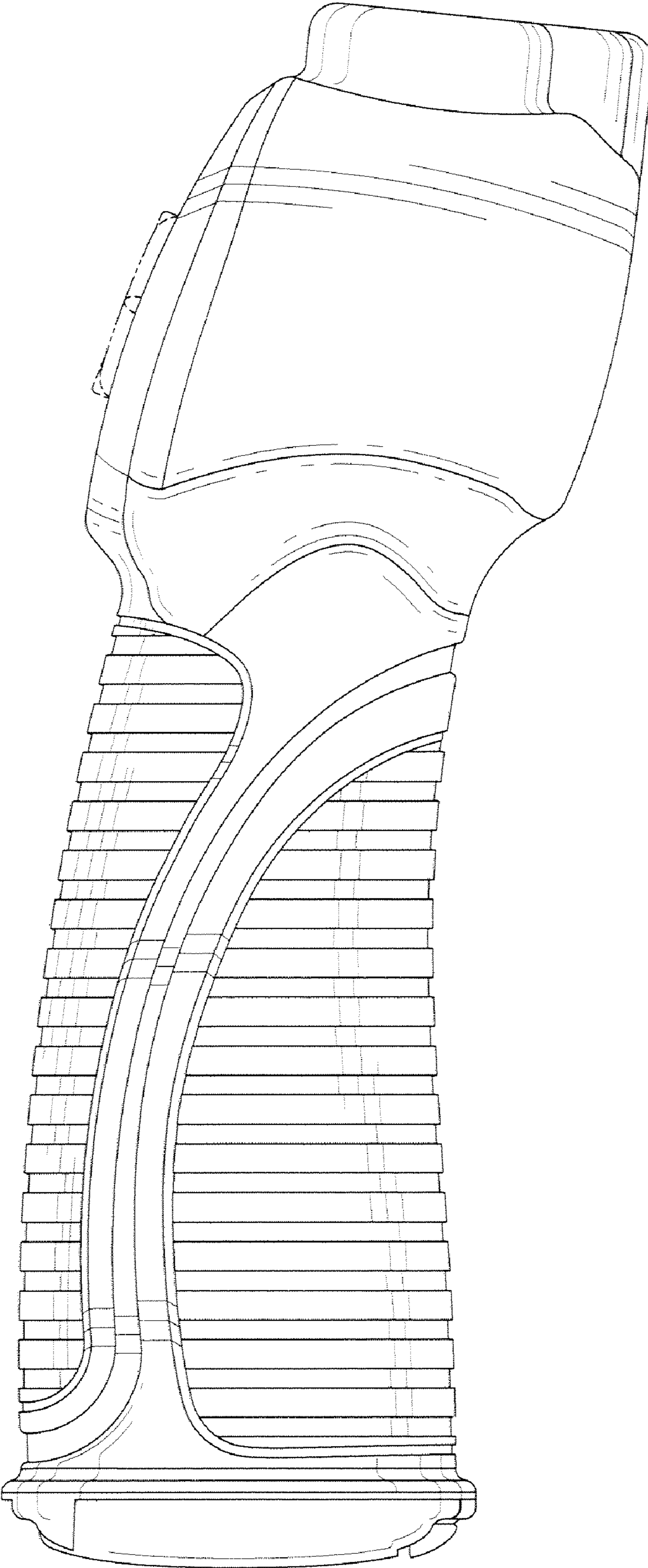


Fig-12

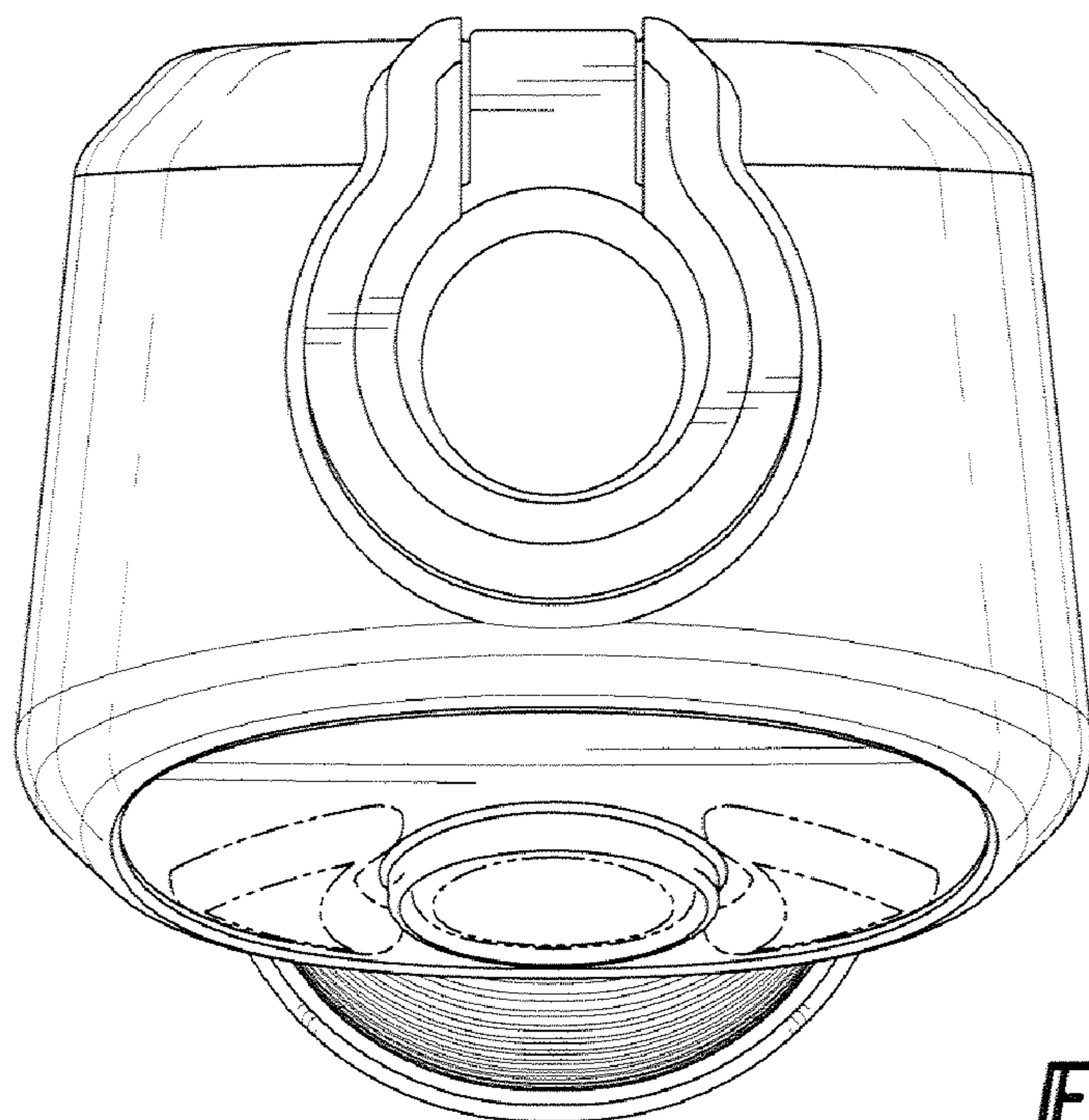


Fig-13

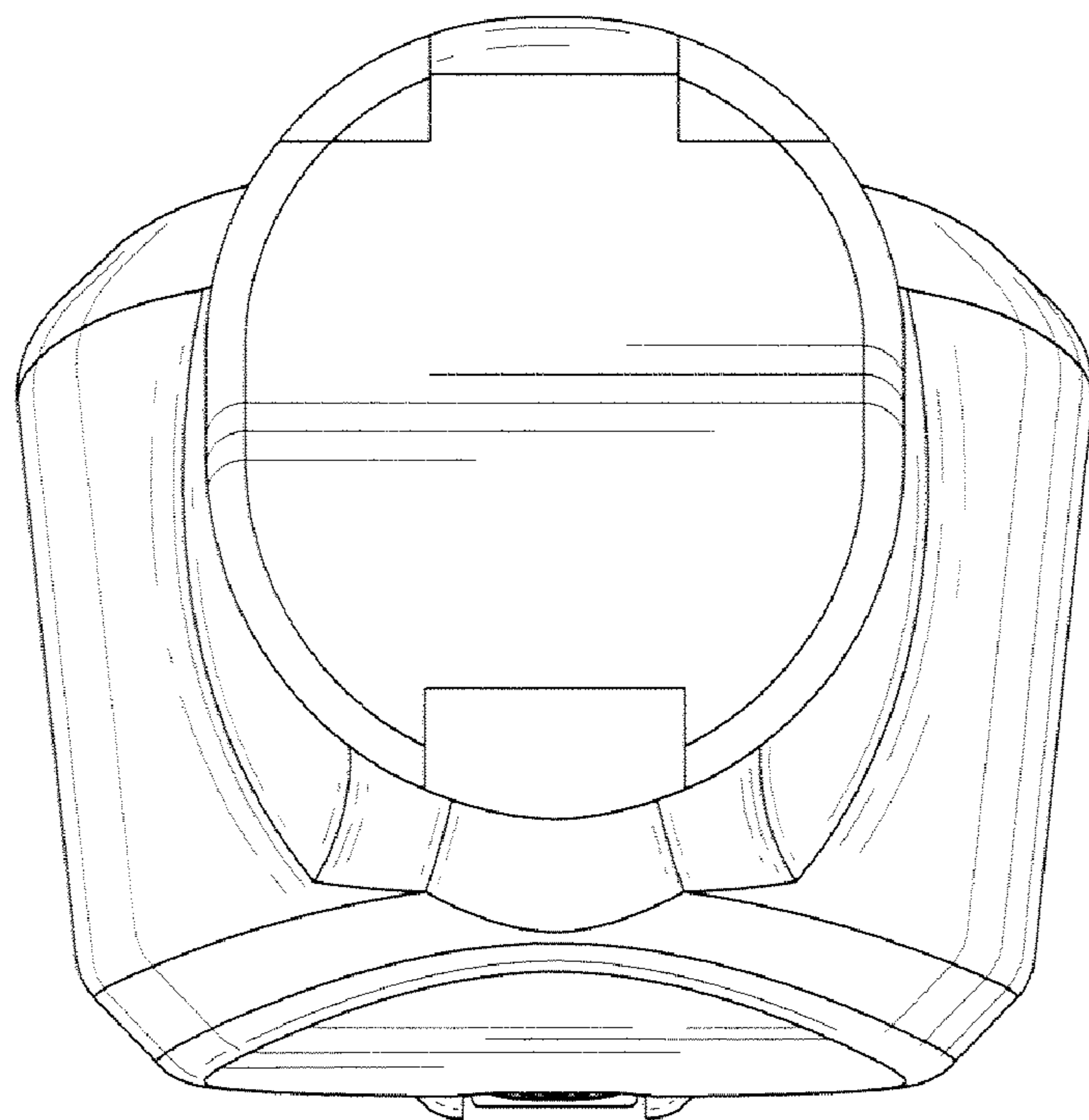


Fig-14