



US00D621730S

(12) **United States Design Patent**  
**Driver et al.**

(10) **Patent No.:** **US D621,730 S**

(45) **Date of Patent:** **\*\* Aug. 17, 2010**

(54) **DIGITAL READ-OUT UNIT**

**DESCRIPTION**

(75) Inventors: **John Driver**, Leicester (GB); **Tim Hatherley**, Leicester (GB)

(73) Assignee: **Newall Measurement Systems Limited**, South Wigston, Leicestershire (GB)

(\*\*) Term: **14 Years**

(21) Appl. No.: **29/344,072**

(22) Filed: **Sep. 23, 2009**

(30) **Foreign Application Priority Data**

Aug. 12, 2009 (EM) ..... 00115926300010002

(51) **LOC (9) Cl.** ..... **10-04**

(52) **U.S. Cl.** ..... **D10/49**

(58) **Field of Classification Search** ..... D10/49-50;  
D13/162; 55/270, 274, 279, DIG. 7, DIG. 34;  
62/176.6, 125-130, 78, 180, 186; 73/23.2,  
73/23.34, 31.01, 31.02, 431, 170.16-170.19,  
73/170.21-170.25, 863.12, 29, 29.02, 335.01-335.14;  
236/46 R, 47, 94, 44 C, 44 R, 49.3, 44 A,  
236/96; 337/112, 332, 360; 340/602, 627,  
340/632, 634; 361/346; 364/141, 146, 147,  
364/188, 420, 557; 454/229, 239, 256, 257,  
454/258; 700/18, 159, 181

See application file for complete search history.

(56) **References Cited**

**U.S. PATENT DOCUMENTS**

D339,755 S \* 9/1993 Bonnell ..... D10/49

(Continued)

*Primary Examiner*—Antoine D Davis

(74) *Attorney, Agent, or Firm*—Luedeka, Neely & Graham,  
PC

(57) **CLAIM**

The ornamental designs of digital read-out unit, as shown and described.

FIG. 1 is front perspective view of the free-standing digital read-out unit of our new design;

FIG. 2 is a rear perspective view of the free-standing digital read-out unit of our new design;

FIG. 3 is a front plan view of the free-standing digital read-out unit of our new design;

FIG. 4 is a rear plan view of the free-standing digital read-out unit of our new design;

FIG. 5 is a top plan view of the free-standing digital read-out unit of our new design;

FIG. 6 is a bottom plan view of the free-standing digital read-out unit of our new design;

FIG. 7 is a left side view of the free-standing digital read-out unit of our new design;

FIG. 8 is a right side view of the free-standing digital read-out unit of our new design;

FIG. 9 is front perspective view of the mountable digital read-out unit of our new design;

FIG. 10 is a rear perspective view of the mountable digital read-out unit of our new design;

FIG. 11 is a front plan view of the mountable digital read-out unit of our new design;

FIG. 12 is a rear plan view of the mountable digital read-out unit of our new design;

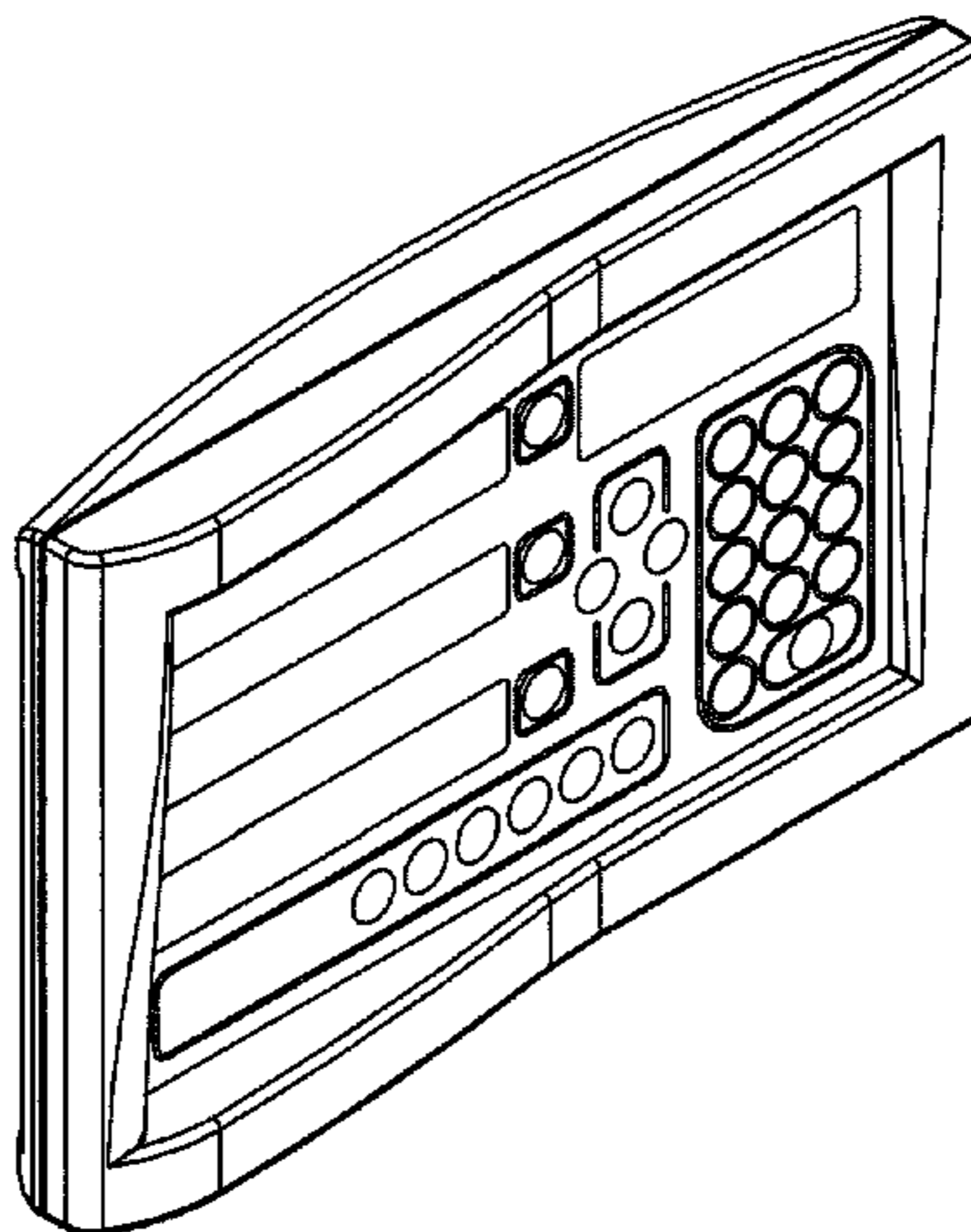
FIG. 13 is a top plan view of the mountable digital read-out unit of our new design;

FIG. 14 is a bottom plan view of the mountable digital read-out unit of our new design;

FIG. 15 is a left side view of the mountable digital read-out unit of our new design; and,

FIG. 16 is a right side view of the mountable digital read-out unit of our new design.

**1 Claim, 14 Drawing Sheets**



# US D621,730 S

Page 2

---

## U.S. PATENT DOCUMENTS

D367,430	S	*	2/1996	Greenberg et al.	.....	D10/49	
D410,855	S	*	6/1999	Gordon	.....	D10/49	
6,073,058	A	*	6/2000	Cossen et al.	.....	700/184	
D489,010	S	*	4/2004	Stauffer	.....	D10/49	
D579,797	S	*	11/2008	Schmid et al.	.....	D10/49	
7,624,931	B2	*	12/2009	Chapman et al.	.....	236/94	
D607,416	S	*	1/2010	Gentner et al.	.....	D13/162	
D607,842	S	*	1/2010	Rinna	.....	D13/162	
D613,255	S	*	4/2010	Paul	.....	D13/162	

\* cited by examiner

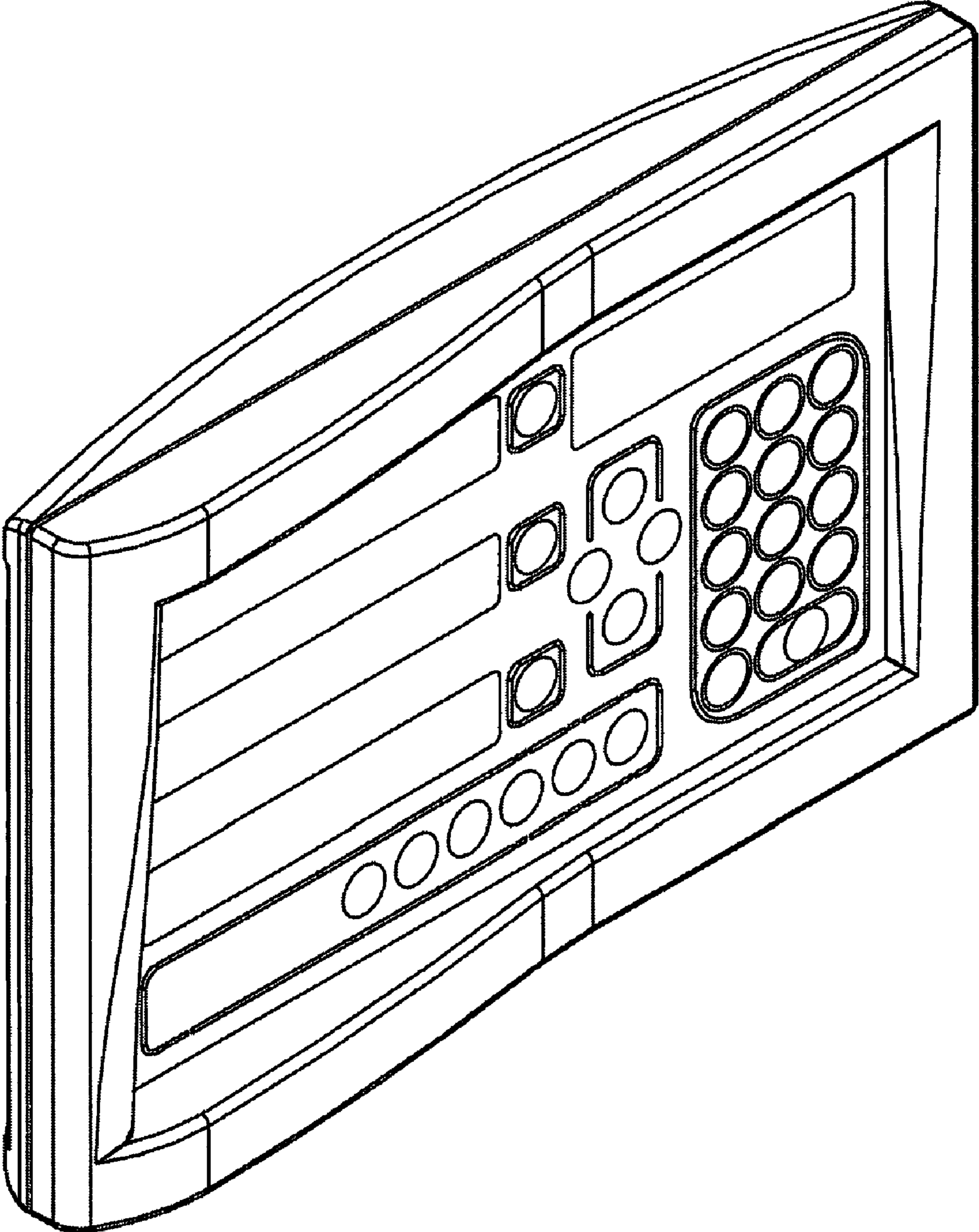


FIG. 1

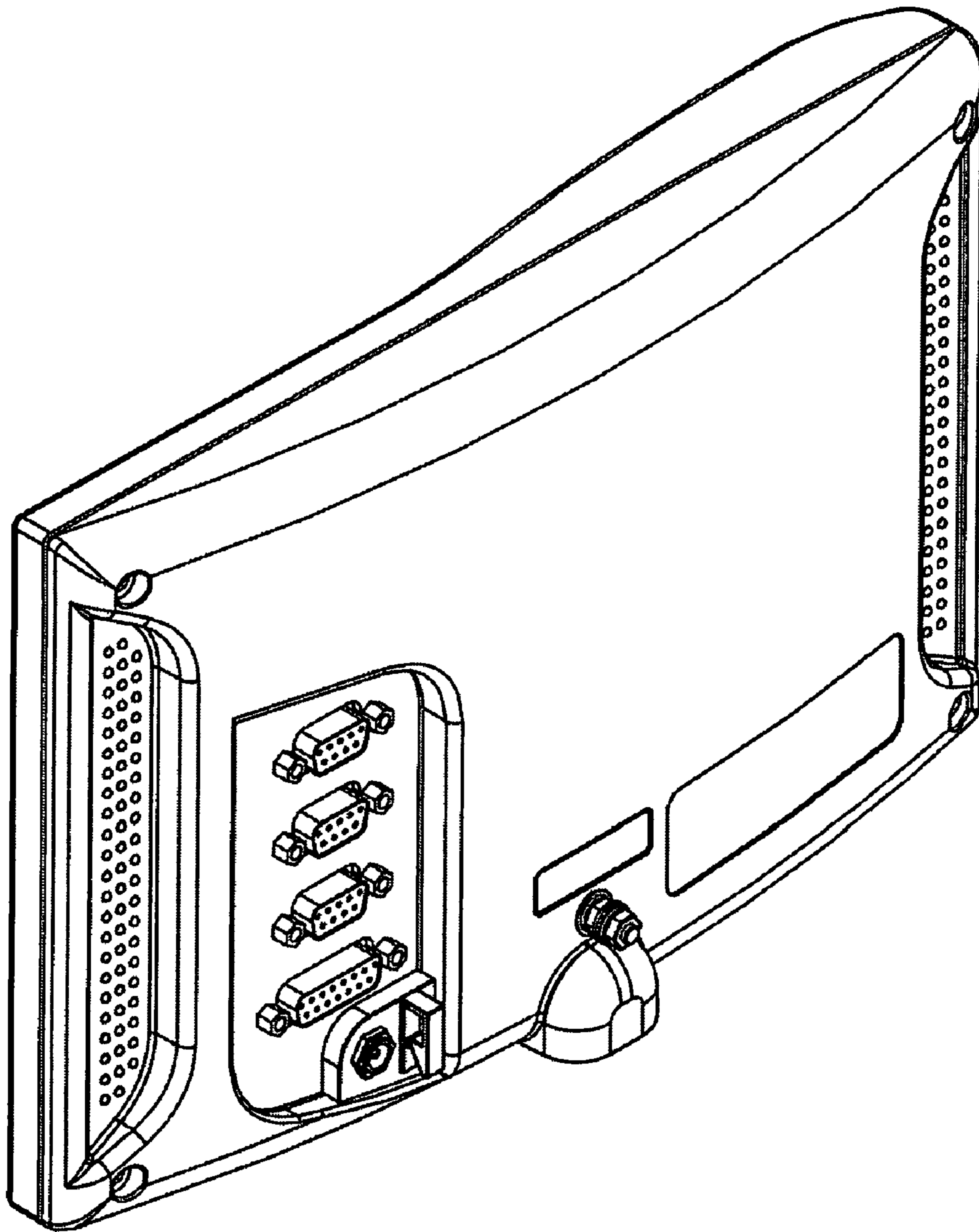


FIG. 2

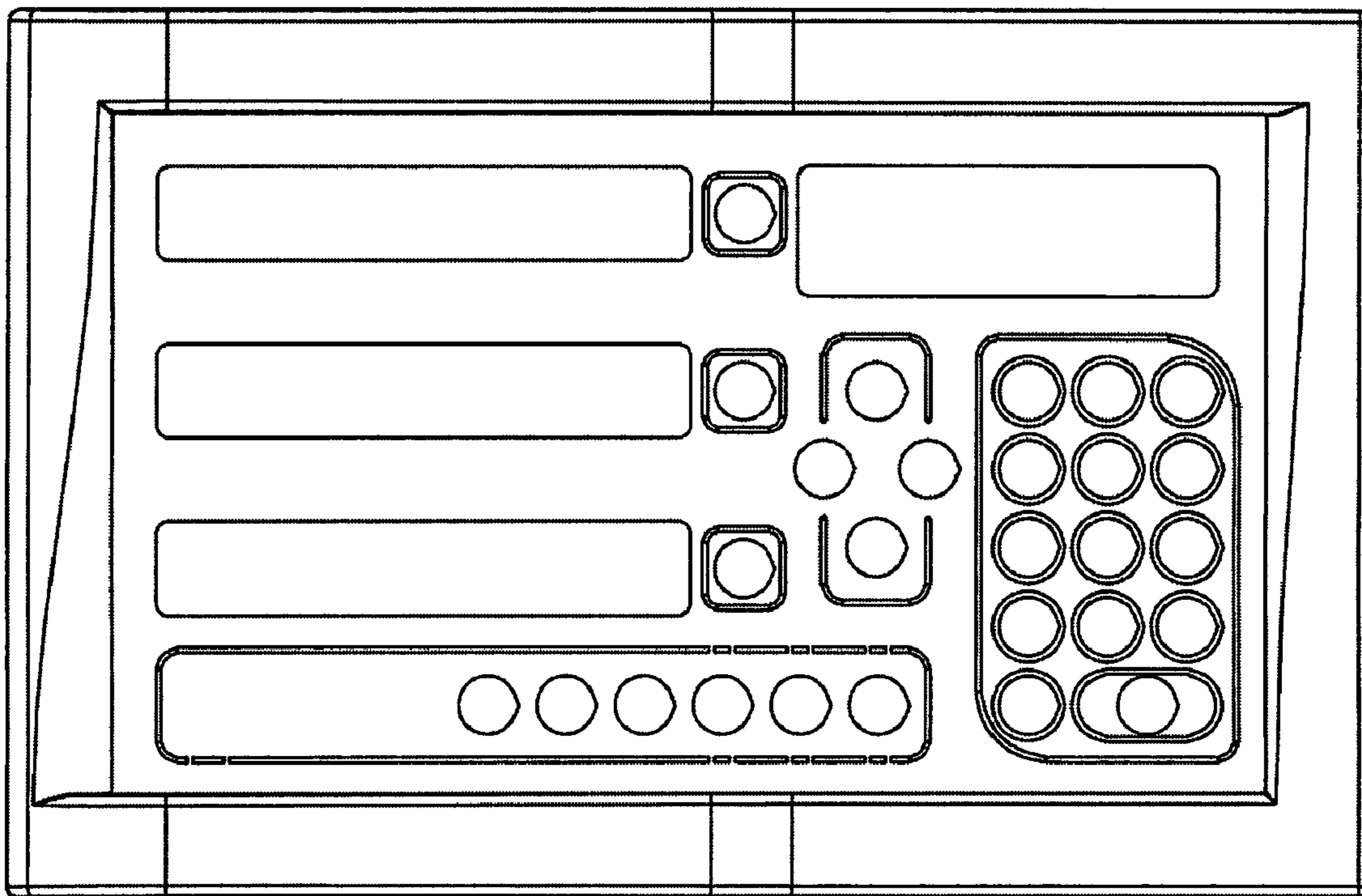


FIG. 3

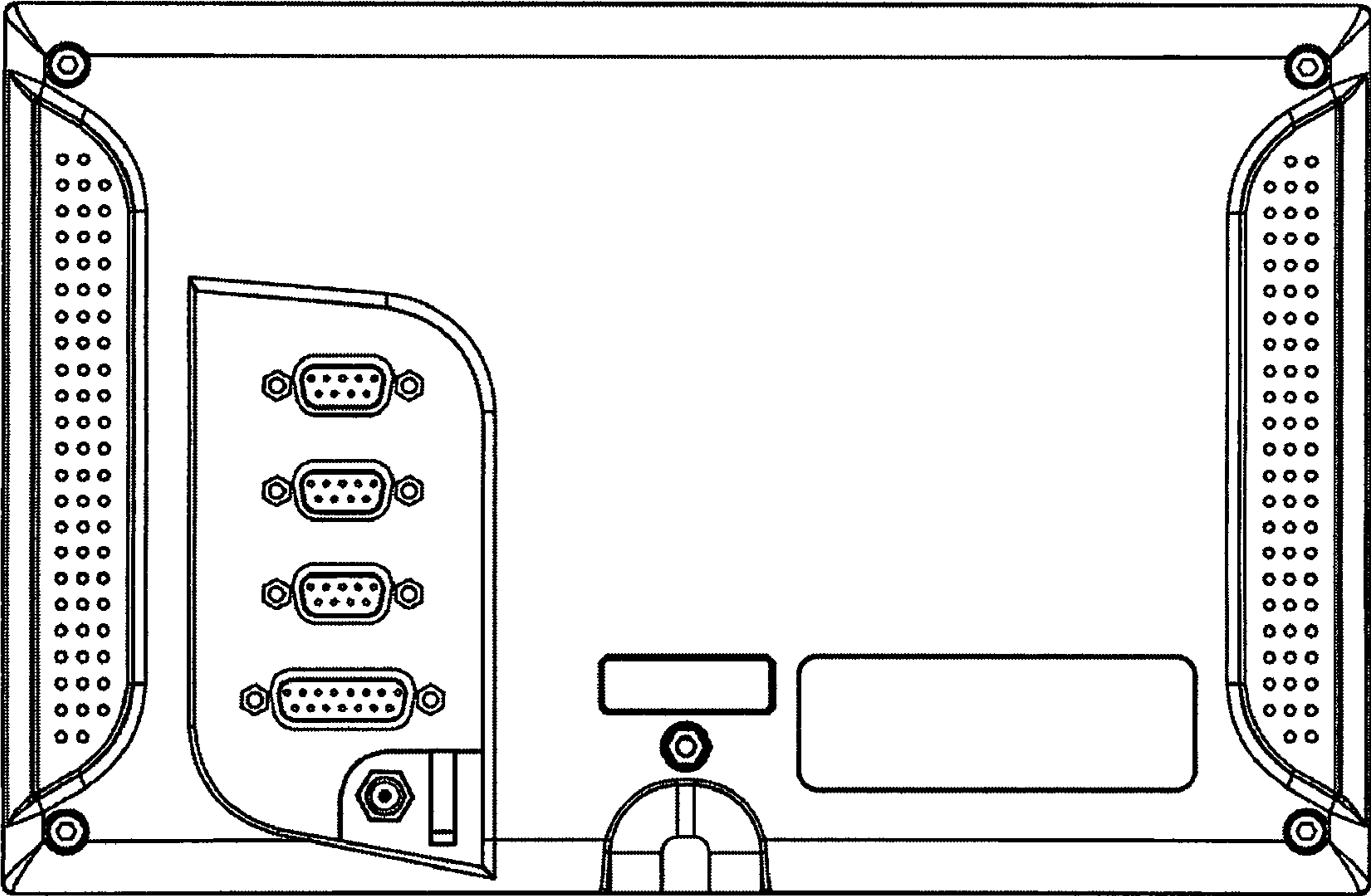


FIG. 4

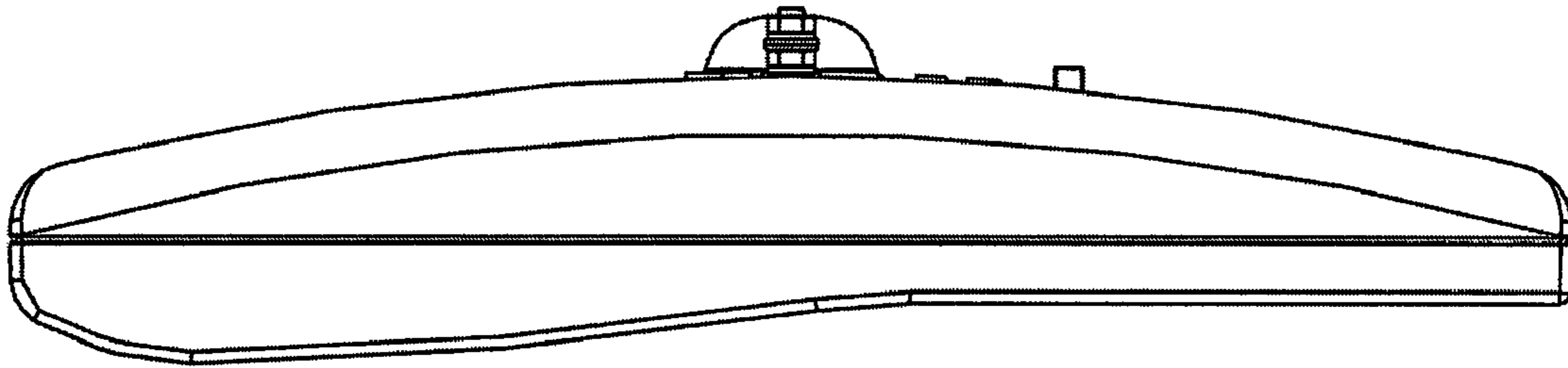


FIG. 5

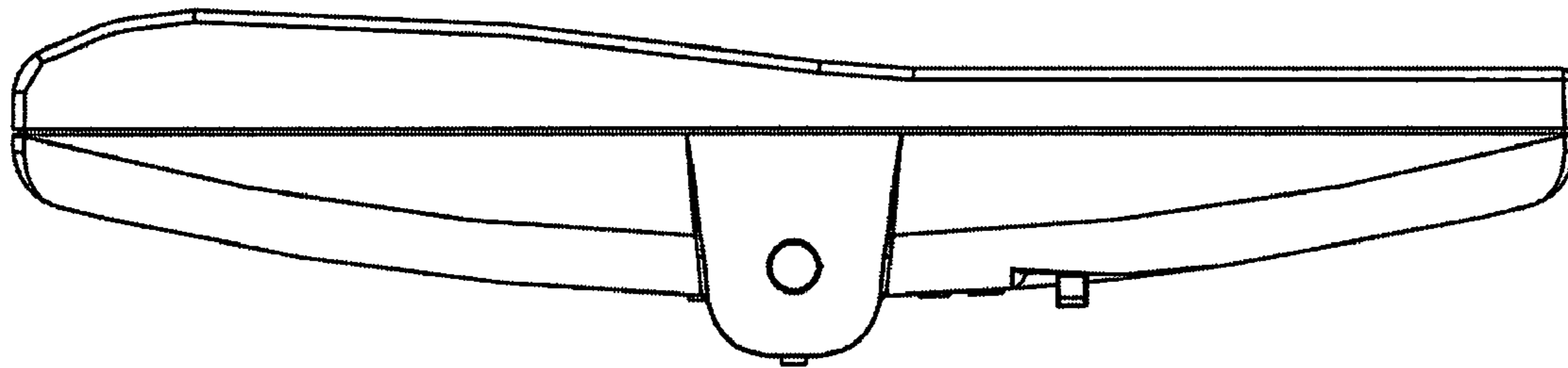


FIG. 6

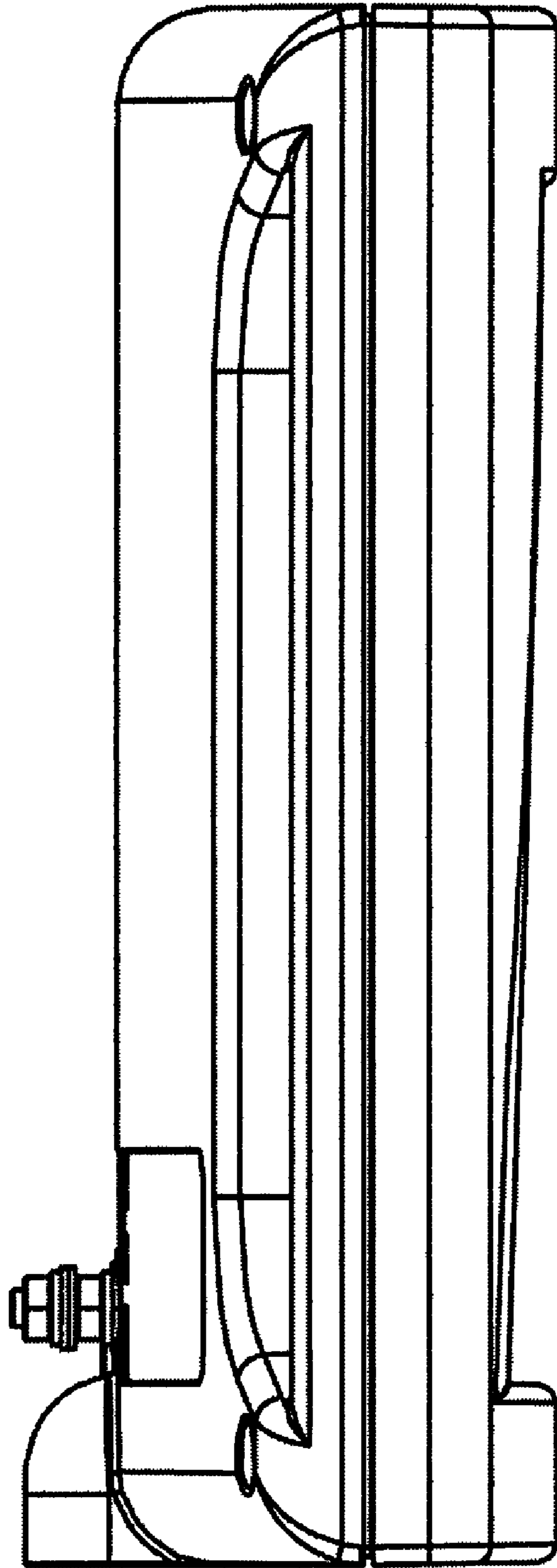


FIG. 7



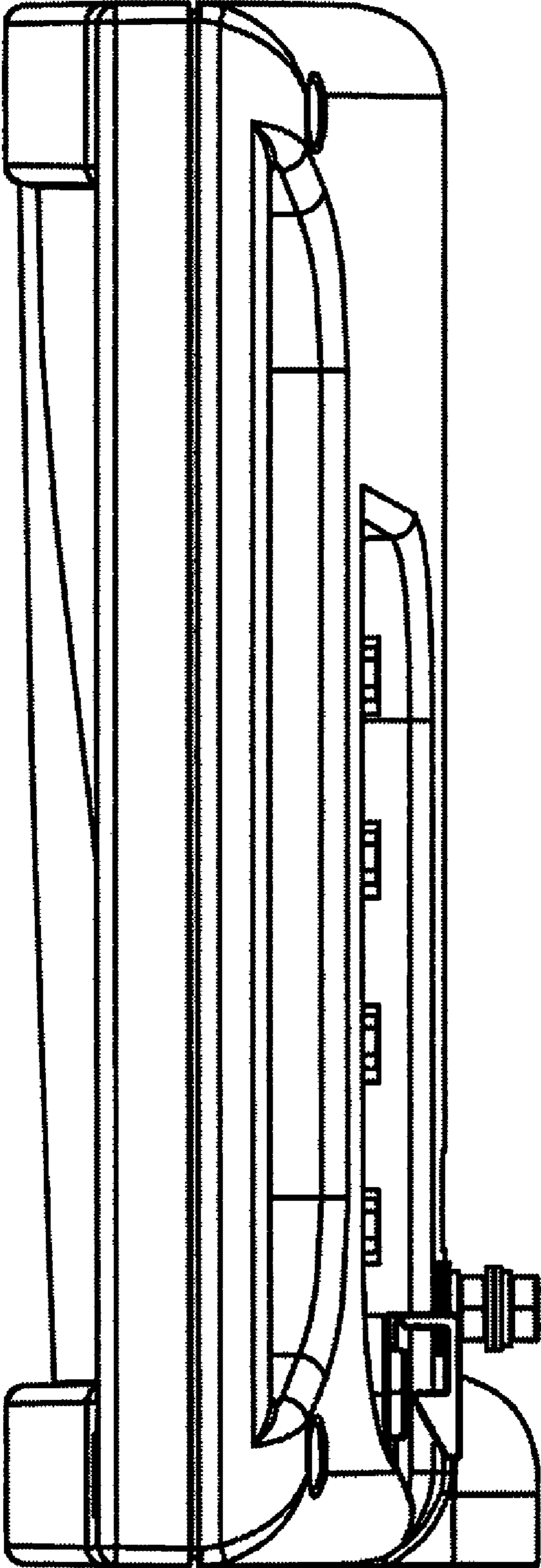


FIG. 8

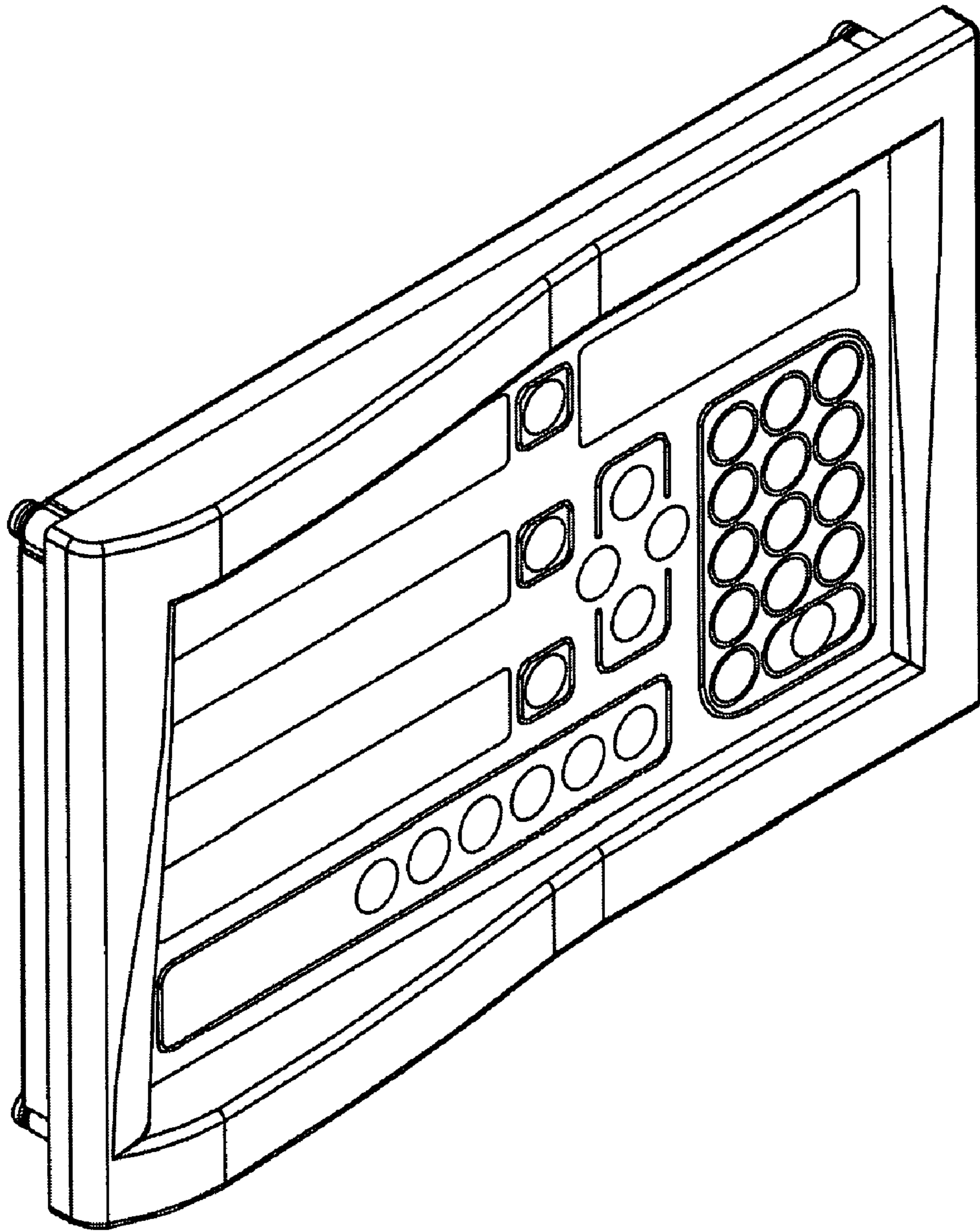


FIG. 9

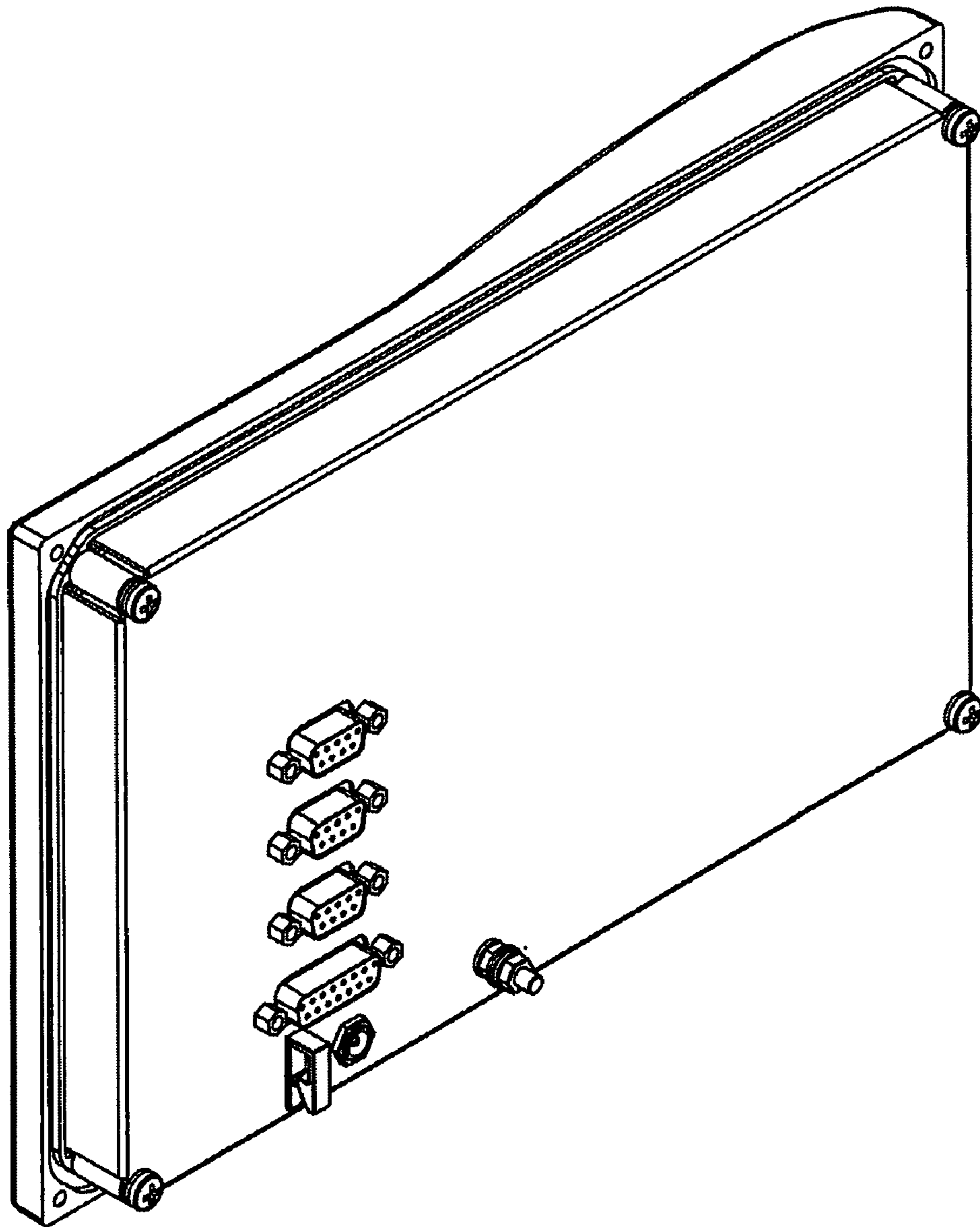


FIG. 10

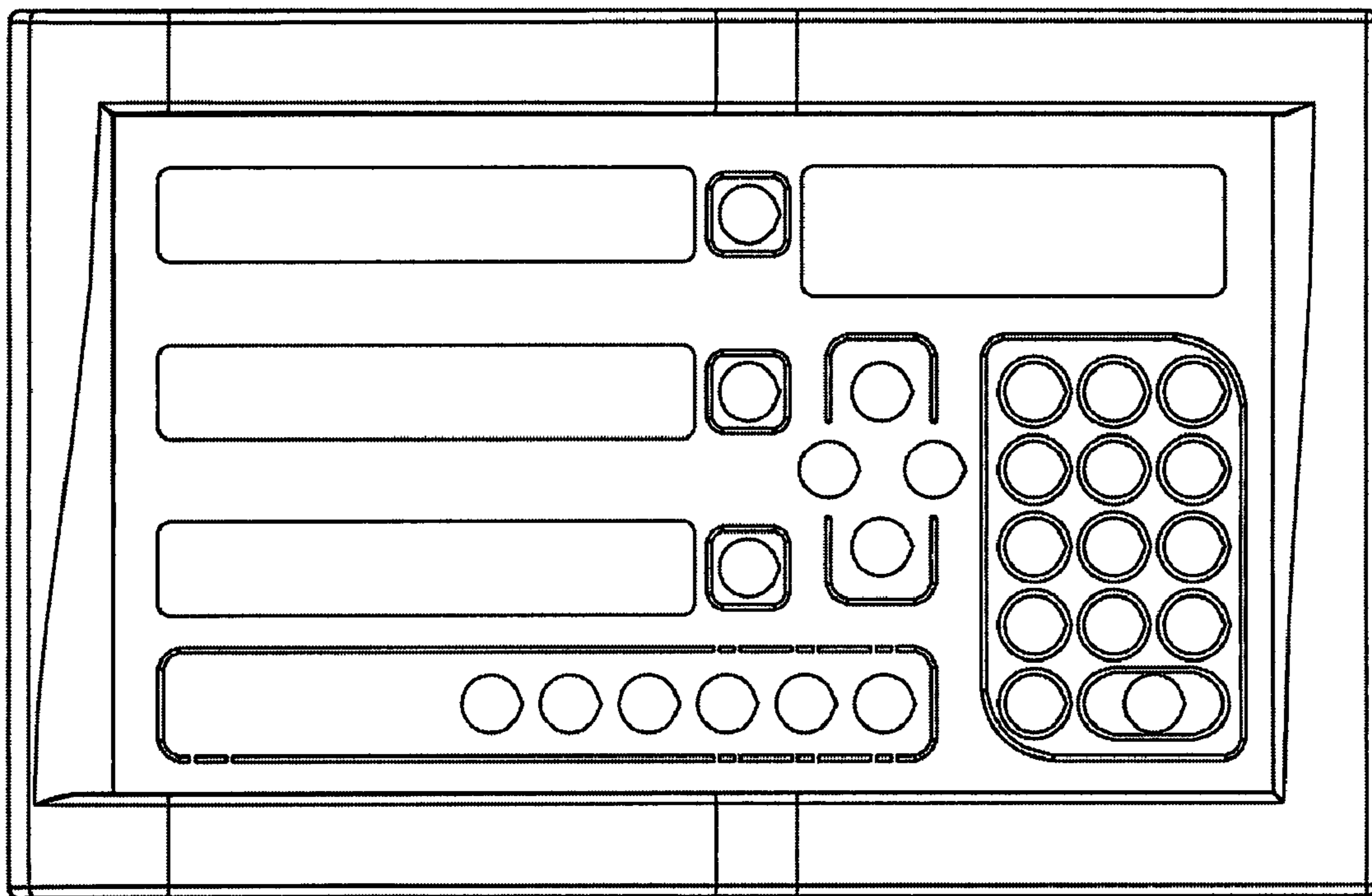


FIG. 11

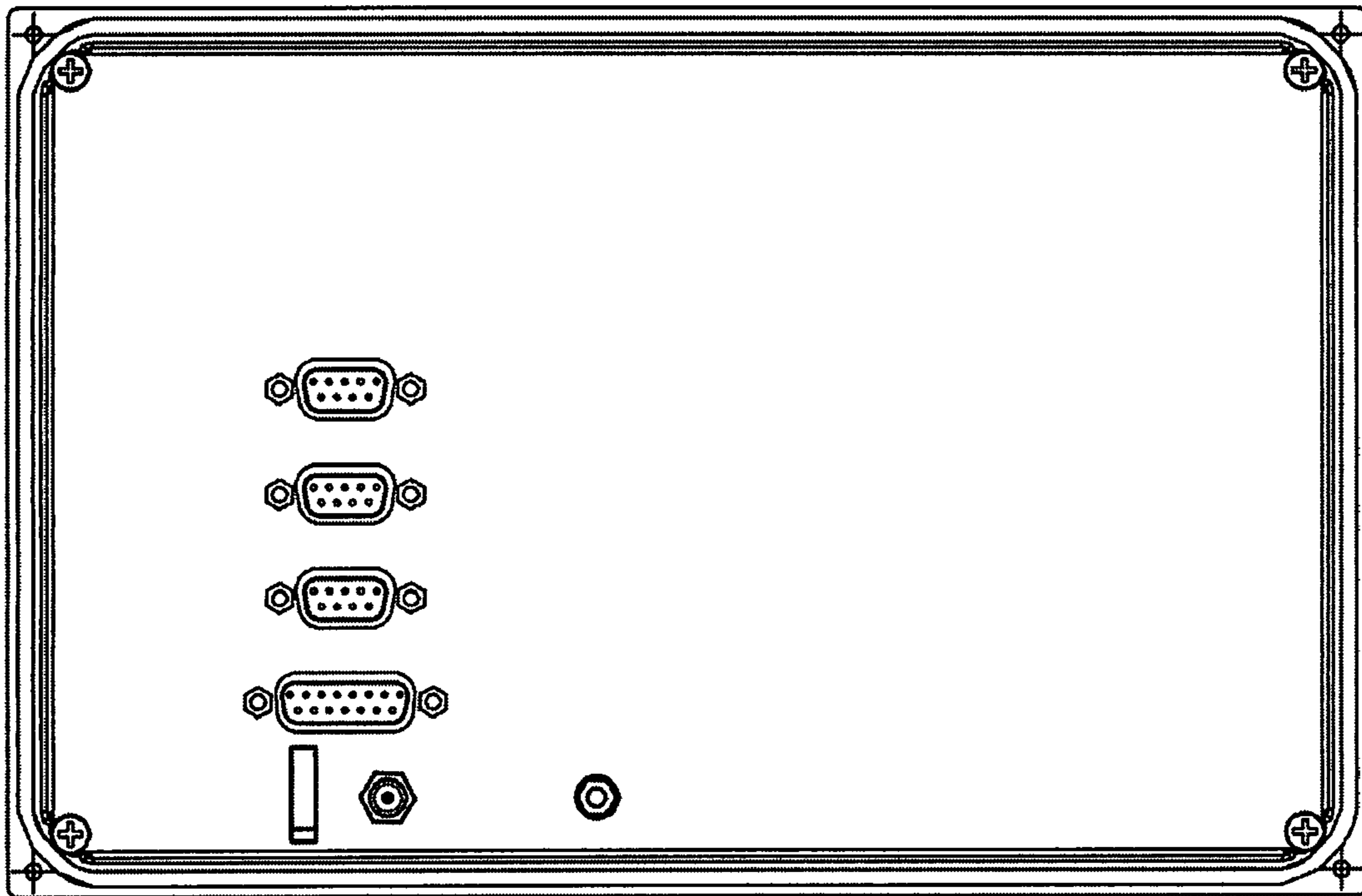


FIG. 12

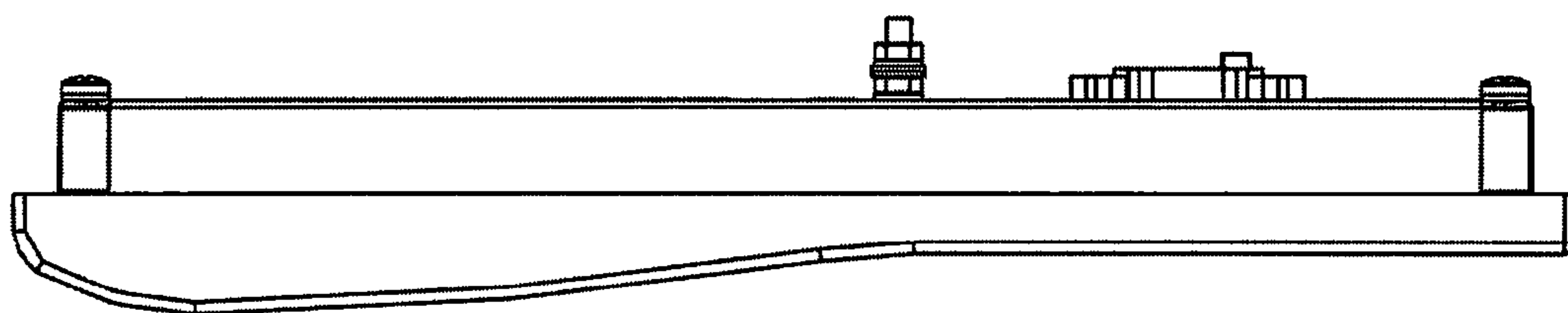


FIG. 13

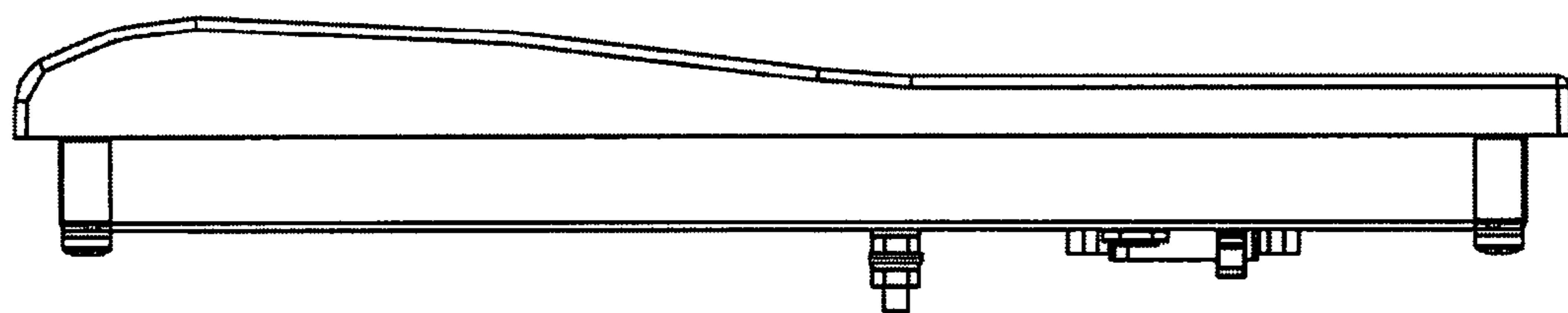


FIG. 14

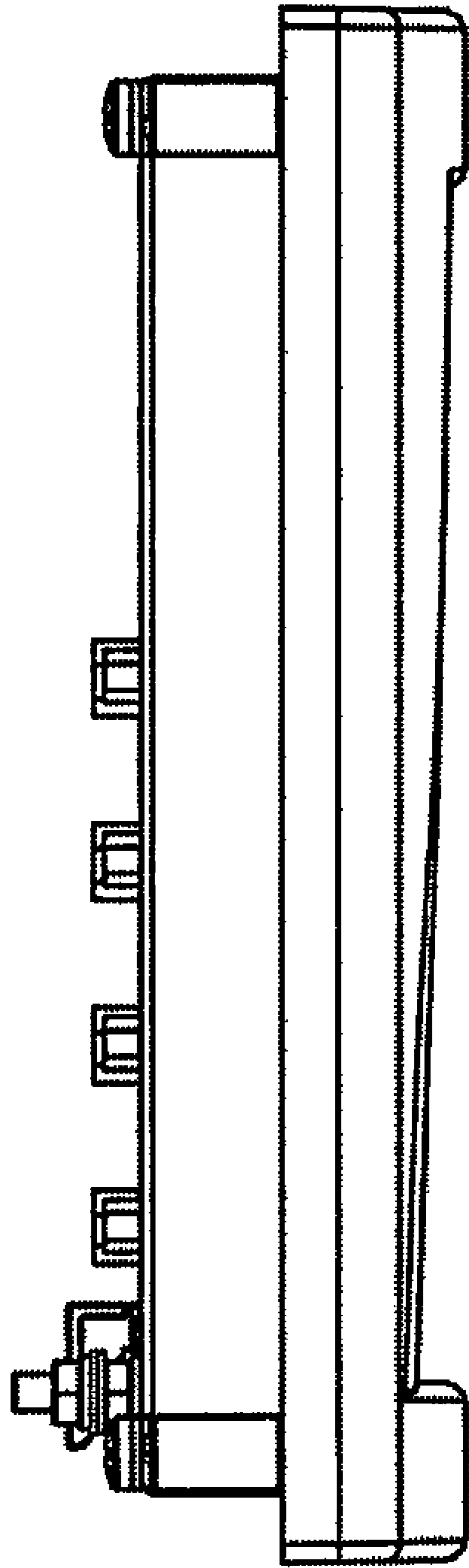


FIG. 15

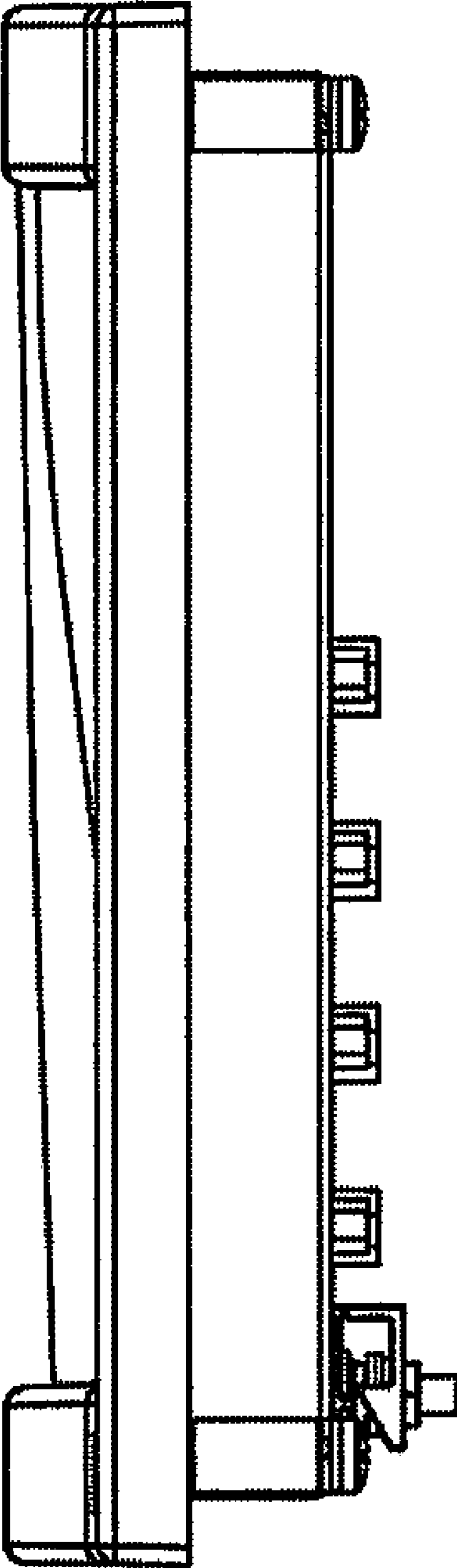


FIG. 16