



US00D621729S

(12) **United States Design Patent**
Blust et al.

(10) **Patent No.:** **US D621,729 S**
(45) **Date of Patent:** **** Aug. 17, 2010**

(54) **MEASURING CUPS**

(75) Inventors: **Jaclyn Jones Blust**, Chicago, IL (US);
Rosemary Deneen, Bartlett, IL (US)

(73) Assignee: **Colombia Insurance Company**,
Omaha, NE (US)

(**) Term: **14 Years**

(21) Appl. No.: **29/339,755**

(22) Filed: **Jul. 7, 2009**

(51) **LOC (9) Cl.** **10-04**

(52) **U.S. Cl.** **D10/46.3**

(58) **Field of Classification Search** D10/46.2-46.3;
D7/691; 73/426-429; 294/55; 30/324-328
See application file for complete search history.

(56) **References Cited**

U.S. PATENT DOCUMENTS

353,055 A	11/1886	Dorr	
423,018 A	3/1890	Young	
2,165,045 A	7/1939	Garside	
D127,611 S	6/1941	Hadfield	
2,259,504 A *	10/1941	Wilson et al.	73/426
D141,881 S	7/1945	Mathewson	
2,496,268 A	2/1950	Chester	
2,569,703 A	10/1951	Weiland	
2,613,537 A	10/1952	Addario	
2,626,526 A	1/1953	Chester	
2,630,014 A	3/1953	Chester	
2,654,252 A	10/1953	Davis	
2,826,078 A	3/1958	Setecka	
D184,027 S	12/1958	Reichow	
2,873,027 A	2/1959	Dohner	
2,882,732 A	4/1959	Cercone	
3,001,404 A	9/1961	McDonnell, Jr. et al.	
3,030,812 A	4/1962	Lutz	
D211,047 S	5/1968	Johnson et al.	
3,400,591 A	9/1968	Larson	
3,416,375 A	12/1968	Lubman et al.	
3,526,138 A	9/1970	Swett et al.	
D228,722 S	10/1973	Grimes	
D234,039 S	1/1975	Lutzker	

4,043,203 A	8/1977	Montesi
D247,412 S	3/1978	Montesi
4,283,951 A	8/1981	Varpio
4,335,609 A	6/1982	Saulsbury
D302,089 S	7/1989	Ancona et al.
5,203,836 A	4/1993	Brazis et al.
5,347,865 A	9/1994	Mulry et al.
D437,793 S	2/2001	Kaposi et al.
D438,125 S	2/2001	Kaposi et al.
D440,164 S	4/2001	Kerr

(Continued)

Primary Examiner—Terry A Wallace
(74) *Attorney, Agent, or Firm*—Neal, Gerber & Eisenberg
LLP

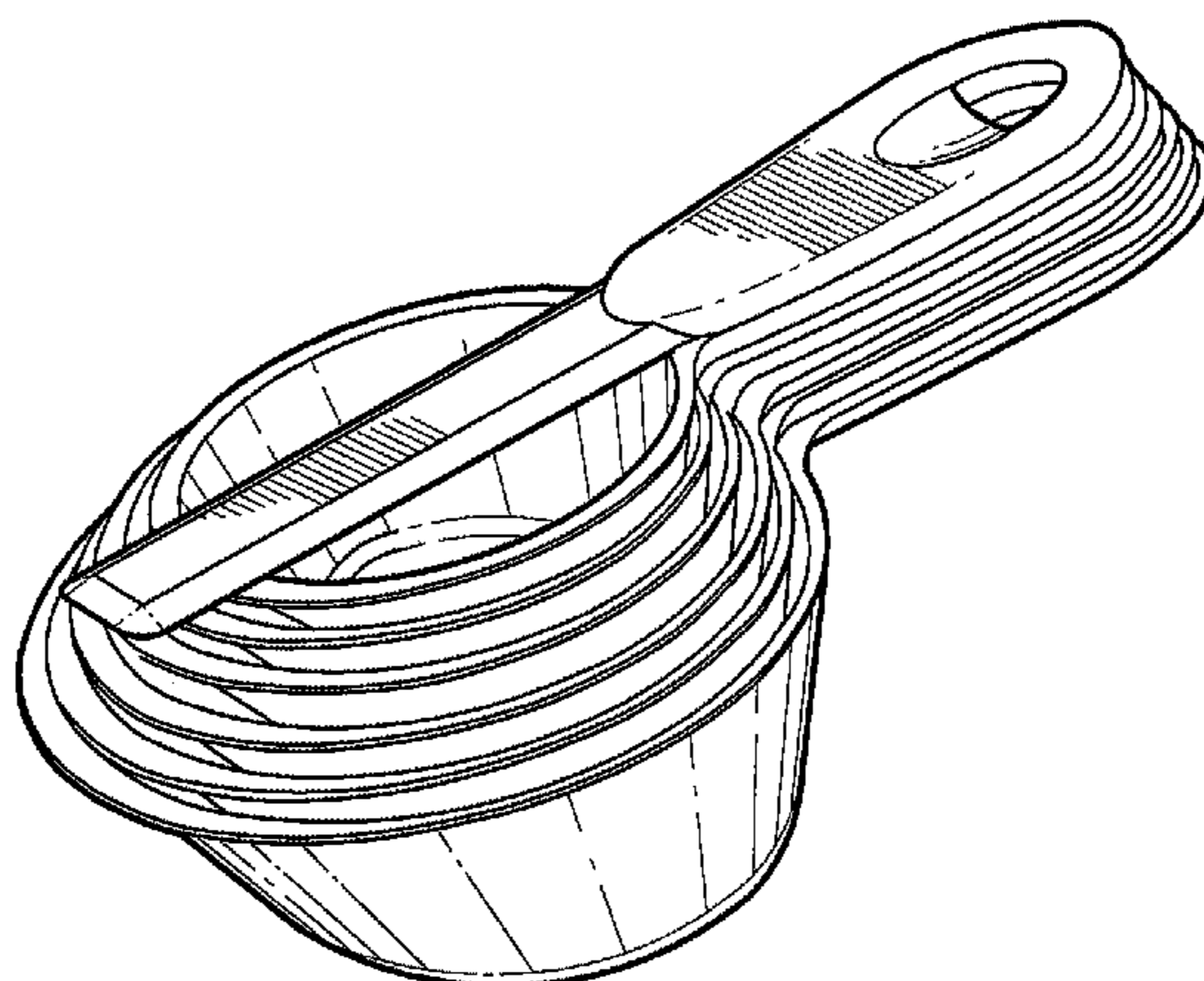
(57) **CLAIM**

The ornamental design for measuring cups, as shown and described.

DESCRIPTION

FIG. 1 is a perspective view of the measuring cups of the present invention, including a leveler;
FIG. 2 is a side elevational view of the measuring cups as shown in FIG. 1;
FIG. 3 is a side elevational view of the measuring cups as shown in FIG. 1, from the opposite side of FIG. 1;
FIG. 4 is a top plan view of the measuring cups as shown in FIG. 1;
FIG. 5 is a bottom plan view of the measuring cups as shown in FIG. 1;
FIG. 6 is a front elevational view of the measuring cups as shown in FIG. 1; and,
FIG. 7 is a rear elevational view of the measuring cups as shown in FIG. 1.

1 Claim, 7 Drawing Sheets



US D621,729 S

Page 2

U.S. PATENT DOCUMENTS

D443,836 S	6/2001	Wright	D560,442 S	1/2008	Teys et al.	
D450,605 S	11/2001	Wright	D570,164 S	6/2008	Teys et al.	
6,974,056 B2	12/2005	Rea	D572,089 S	7/2008	Teys et al.	
D518,392 S	4/2006	Kaposi	D582,798 S *	12/2008	Mantilla et al. D10/46.3
D532,321 S *	11/2006	Heiligenstein et al.	D588,947 S *	3/2009	Curtin D10/46.2
D548,115 S	8/2007	Sawhney et al.	2005/0247129 A1	11/2005	Carragan	
			2008/0017540 A1	1/2008	Sawhney et al.	

* cited by examiner

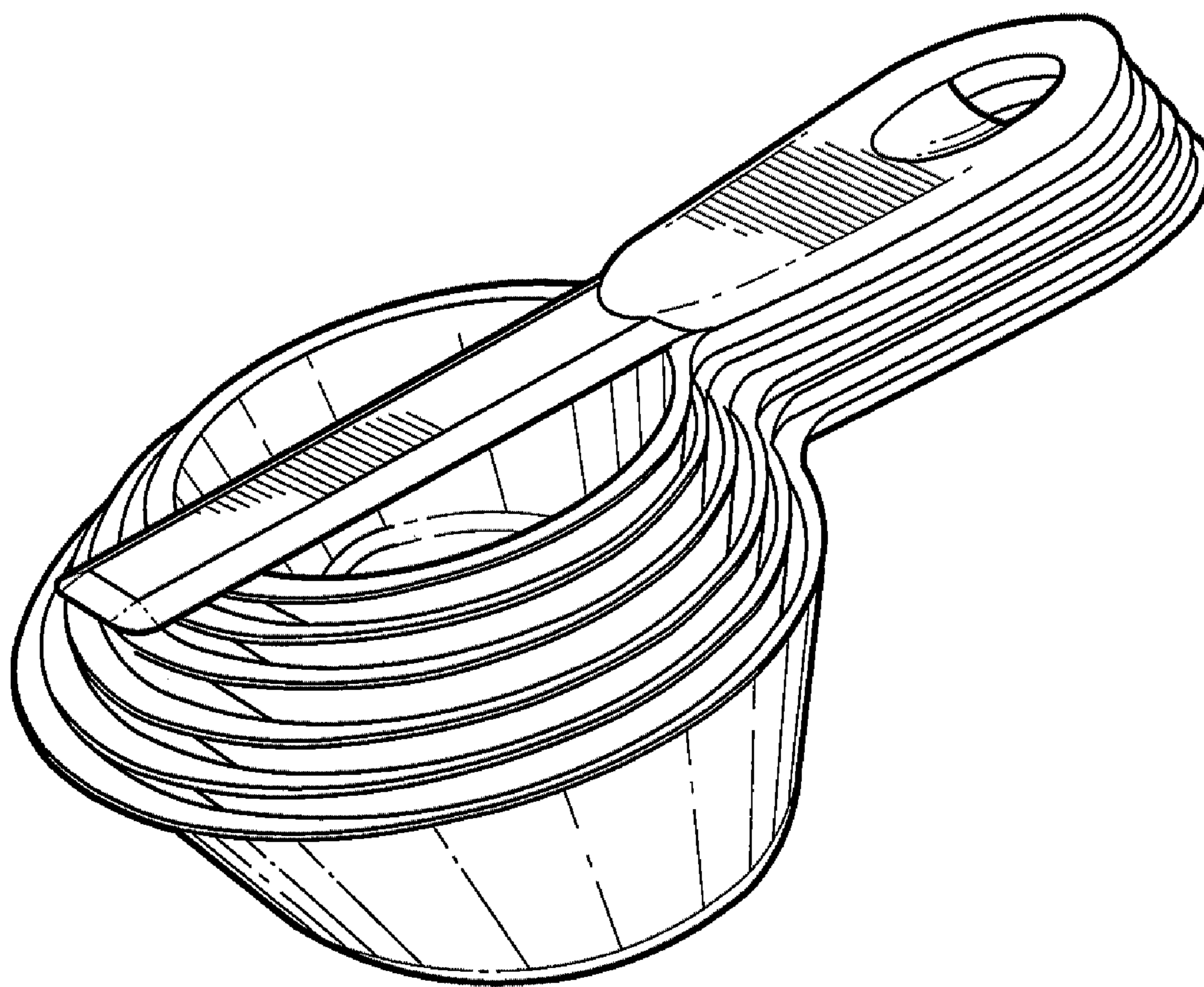


FIG. 1

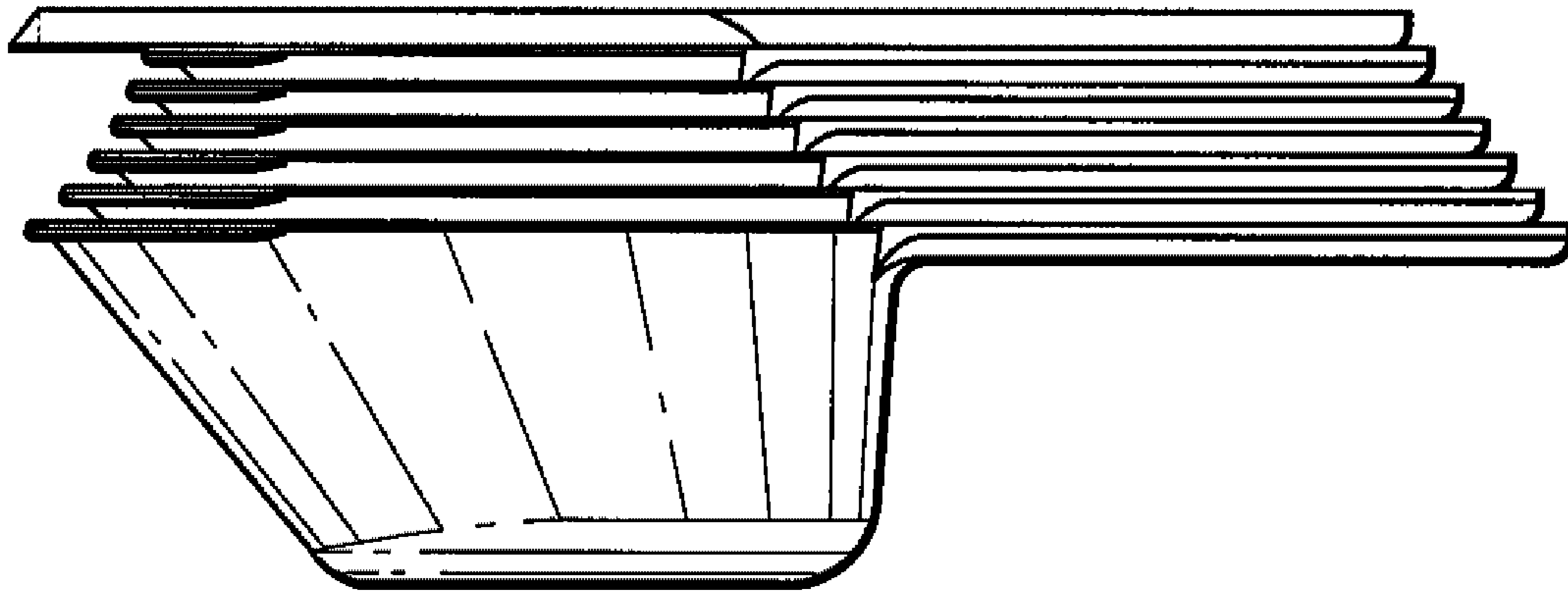


FIG. 2

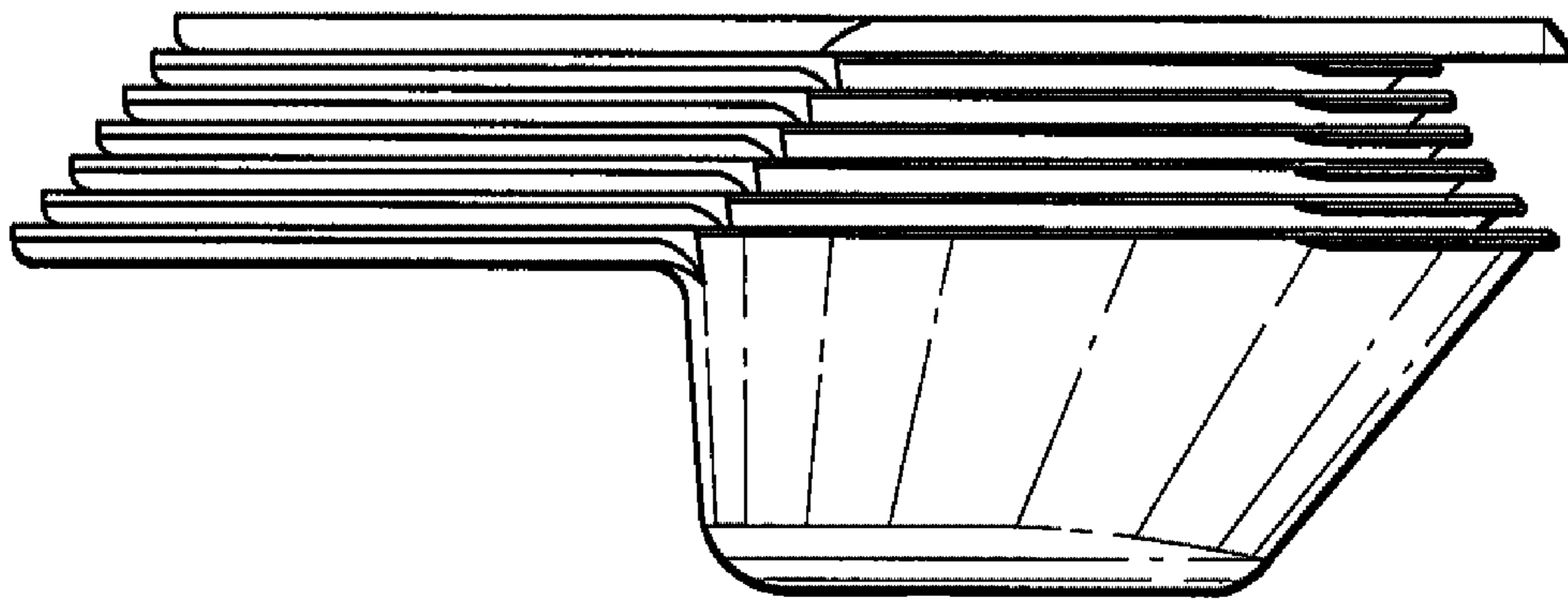


FIG. 3

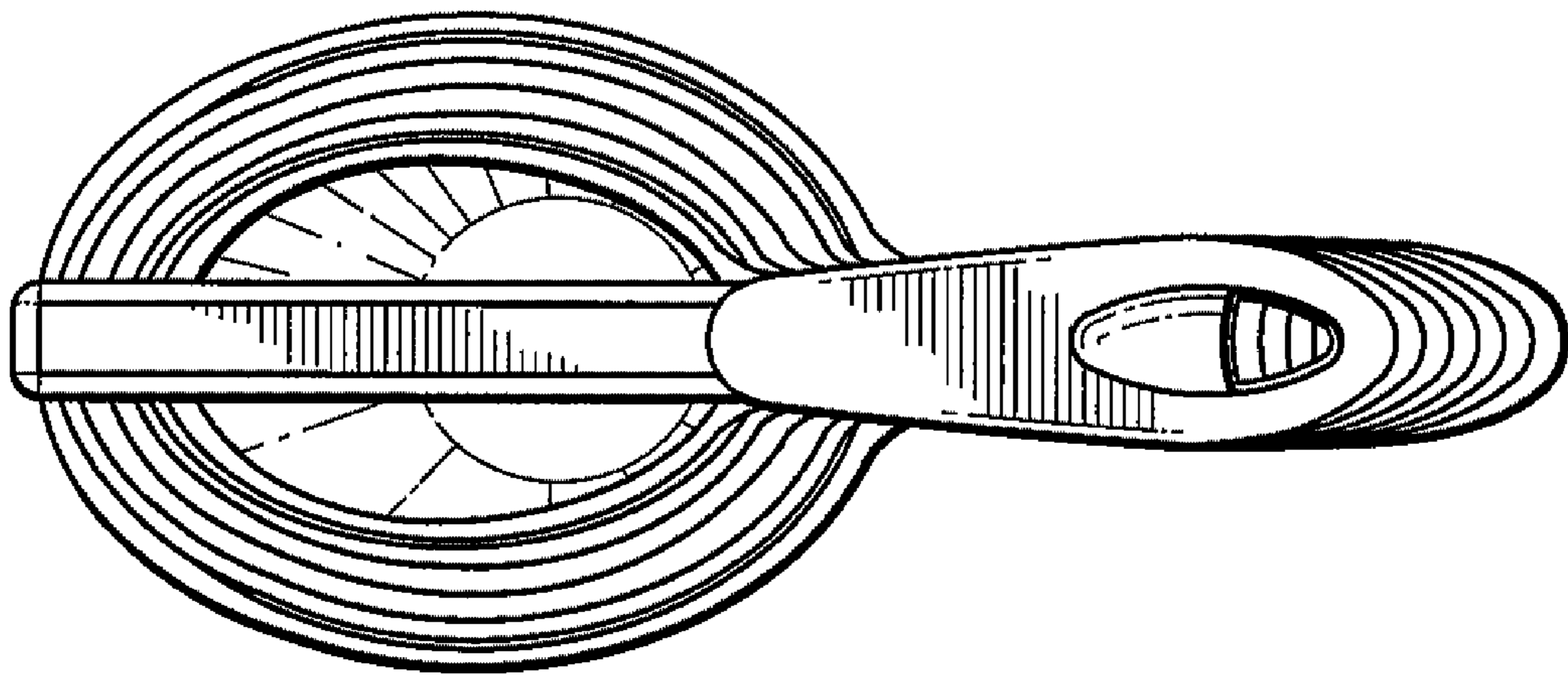


FIG.4

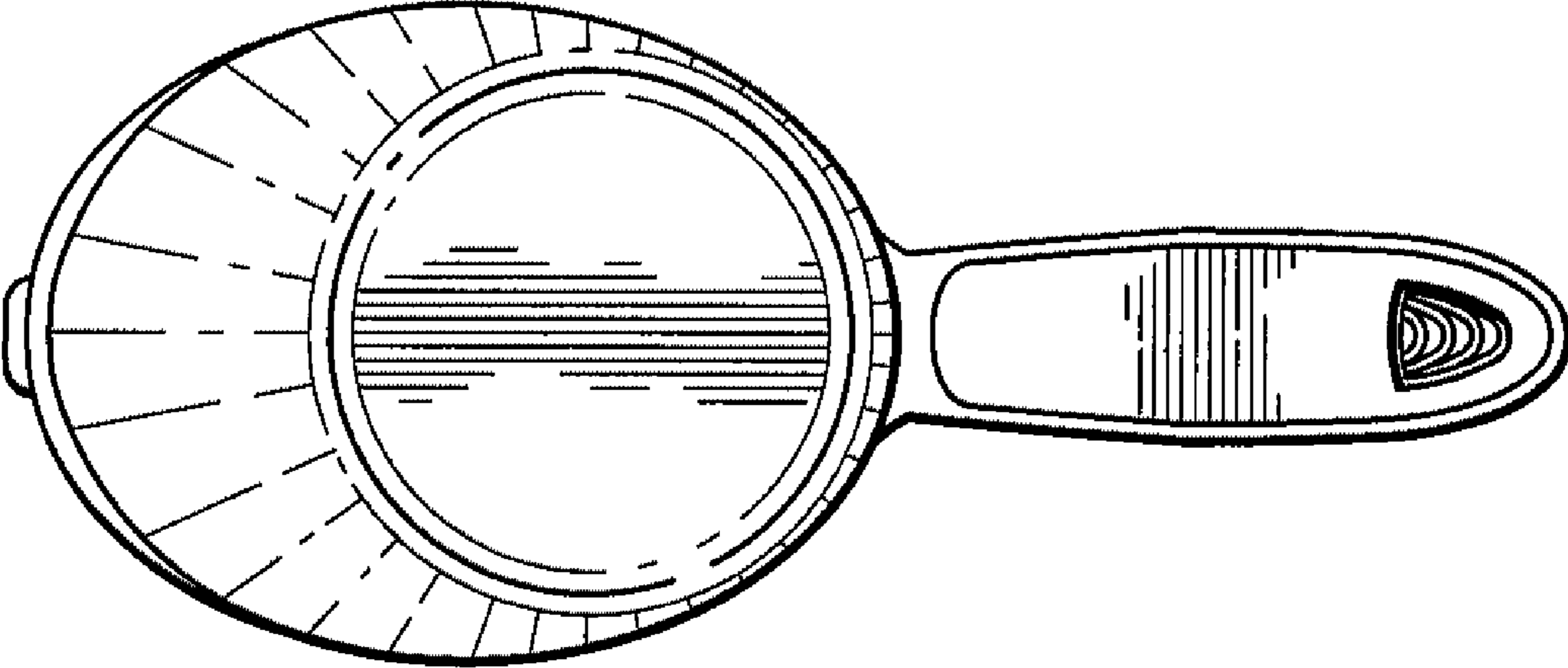


FIG. 5

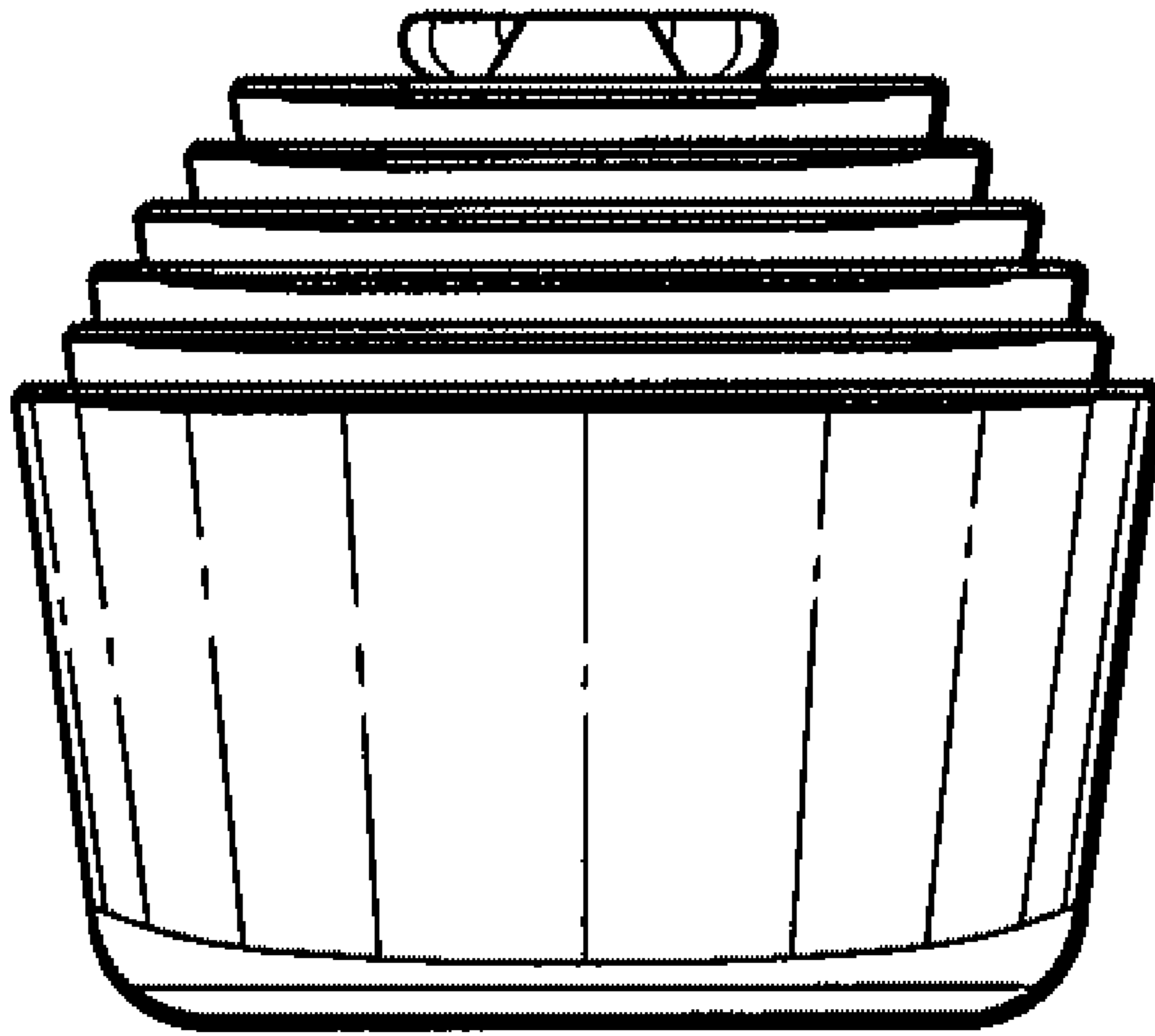


FIG. 6

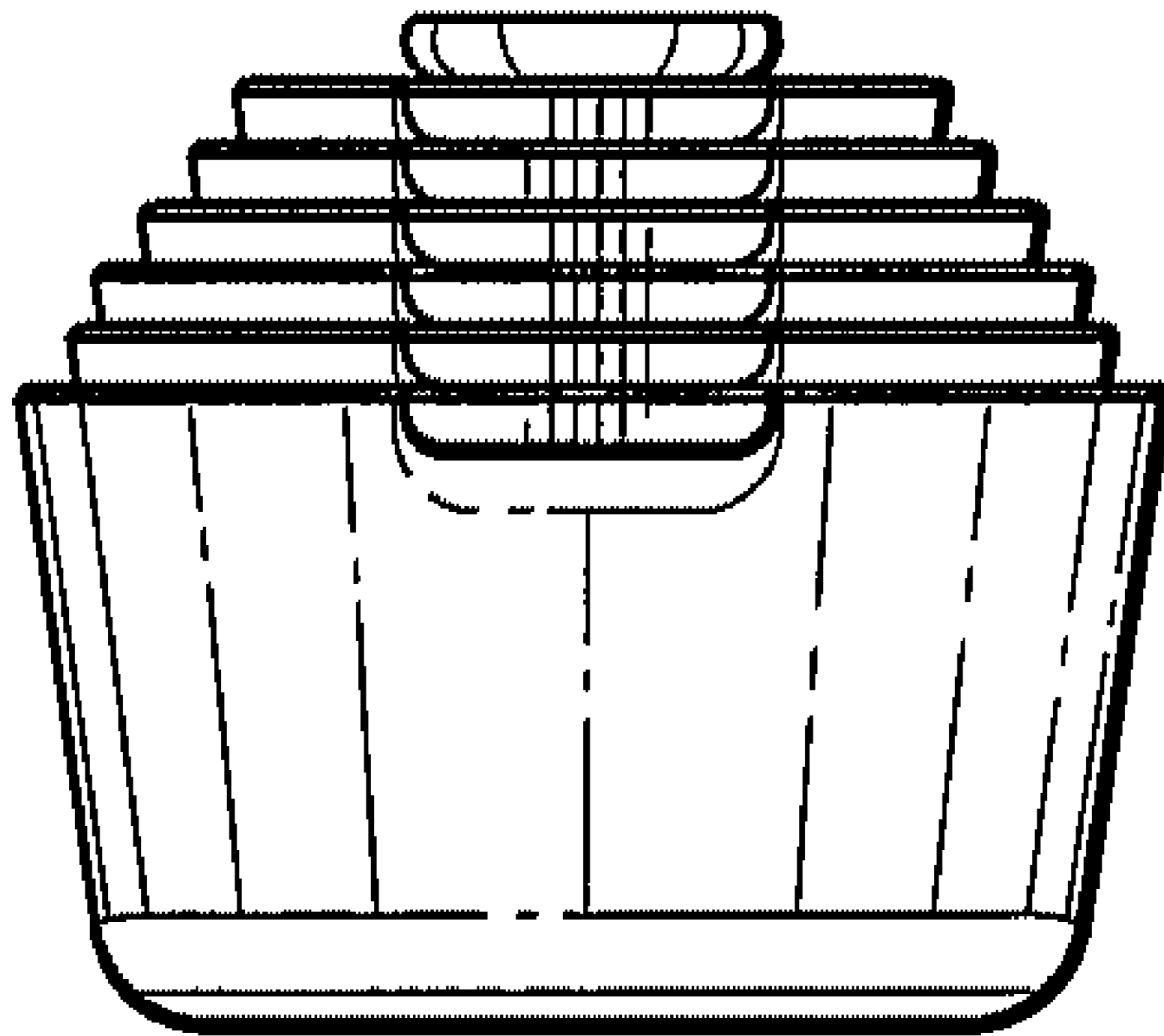


FIG. 7