



US00D621727S

(12) **United States Design Patent**
Siegler et al.

(10) **Patent No.:** **US D621,727 S**
(45) **Date of Patent:** **** Aug. 17, 2010**

(54) **SENSOR HOUSING**

(75) Inventors: **Ralf Siegler**, Schlier (DE); **Peter Breh**,
West Chester, PA (US); **Georg Kaluza**,
Velbert (DE)

(73) Assignee: **ifm electronic, GmbH**, Tett nang (DE)

(**) Term: **14 Years**

(21) Appl. No.: **29/337,918**

(22) Filed: **Jun. 2, 2009**

Related U.S. Application Data

(63) Continuation of application No. 29/296,098, filed on
Oct. 12, 2007, now abandoned.

(51) **LOC (9) Cl.** **10-04**

(52) **U.S. Cl.** **D10/46**

(58) **Field of Classification Search** D10/46;
73/431; 174/50; 250/239

See application file for complete search history.

(56) **References Cited**

U.S. PATENT DOCUMENTS

6,518,565 B1 * 2/2003 Wu et al. 250/239

6,794,639 B2 * 9/2004 Lautenschlager et al. ... 250/239
6,911,648 B2 * 6/2005 Wu et al. 250/239
7,102,078 B2 * 9/2006 Weber et al. 174/50
2009/0095074 A1 * 4/2009 Vinshtok et al. 73/431

* cited by examiner

Primary Examiner—Antoine D Davis

(74) *Attorney, Agent, or Firm*—Johnson & Scaturro, LLC;
Christine Johnson

(57) **CLAIM**

The ornamental design for a sensor housing, as shown.

DESCRIPTION

FIG. 1 is a front perspective view of a sensor housing showing
my new design;

FIG. 2 is a rear elevational view thereof;

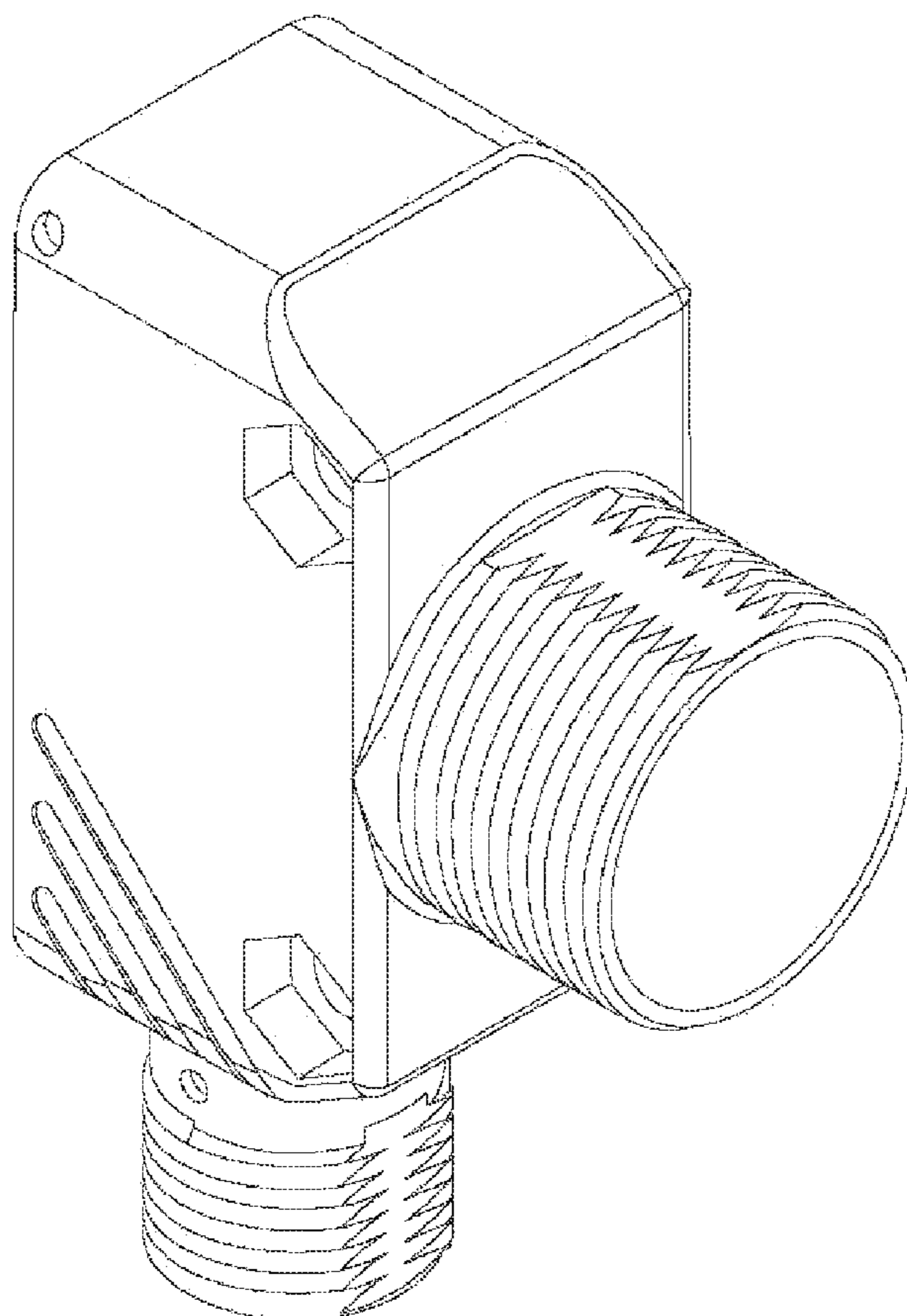
FIG. 3 is a left side elevational view thereof;

FIG. 4 is a right side elevational view thereof;

FIG. 5 is a top plan view thereof; and,

FIG. 6 is a rear perspective view thereof.

1 Claim, 6 Drawing Sheets



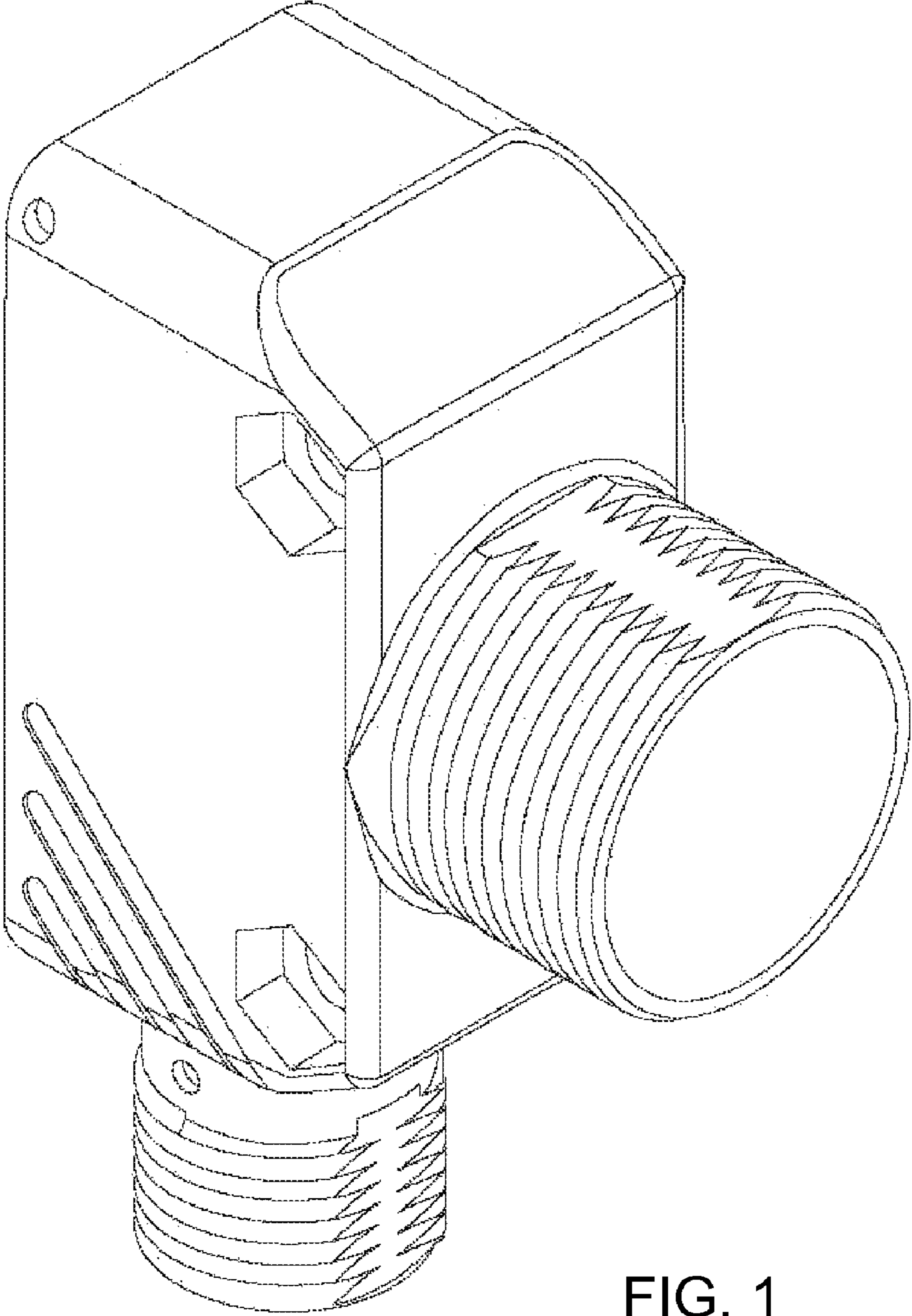


FIG. 1

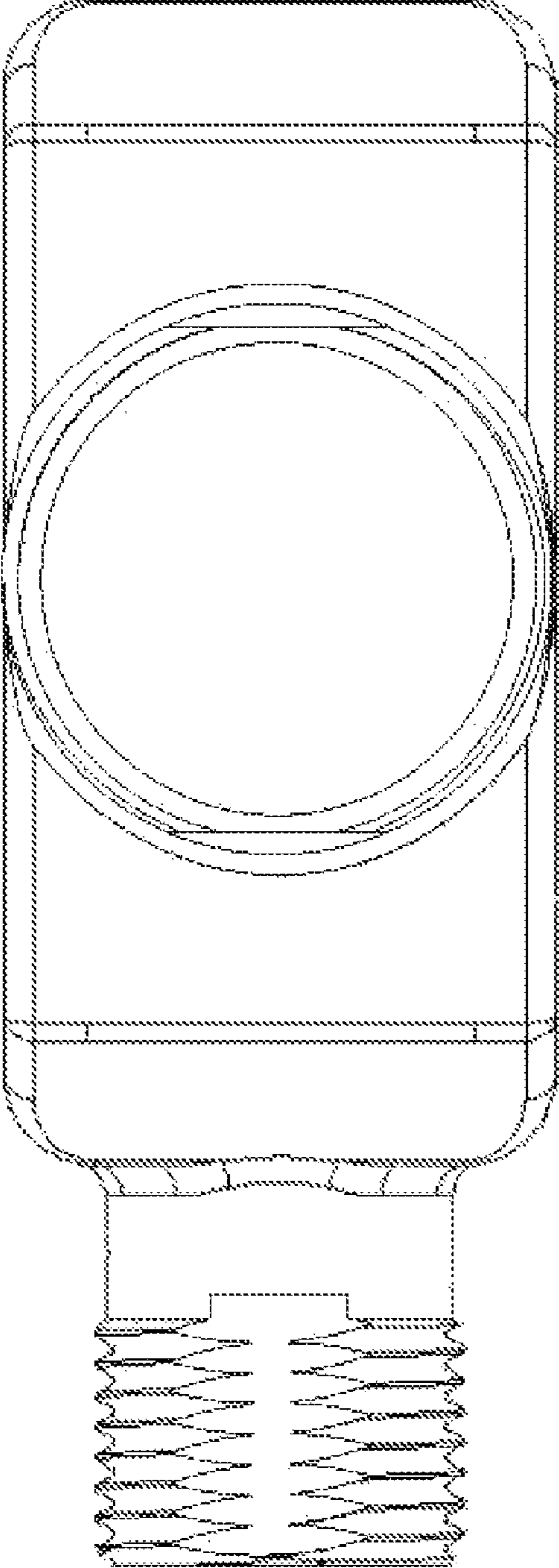


FIG. 2

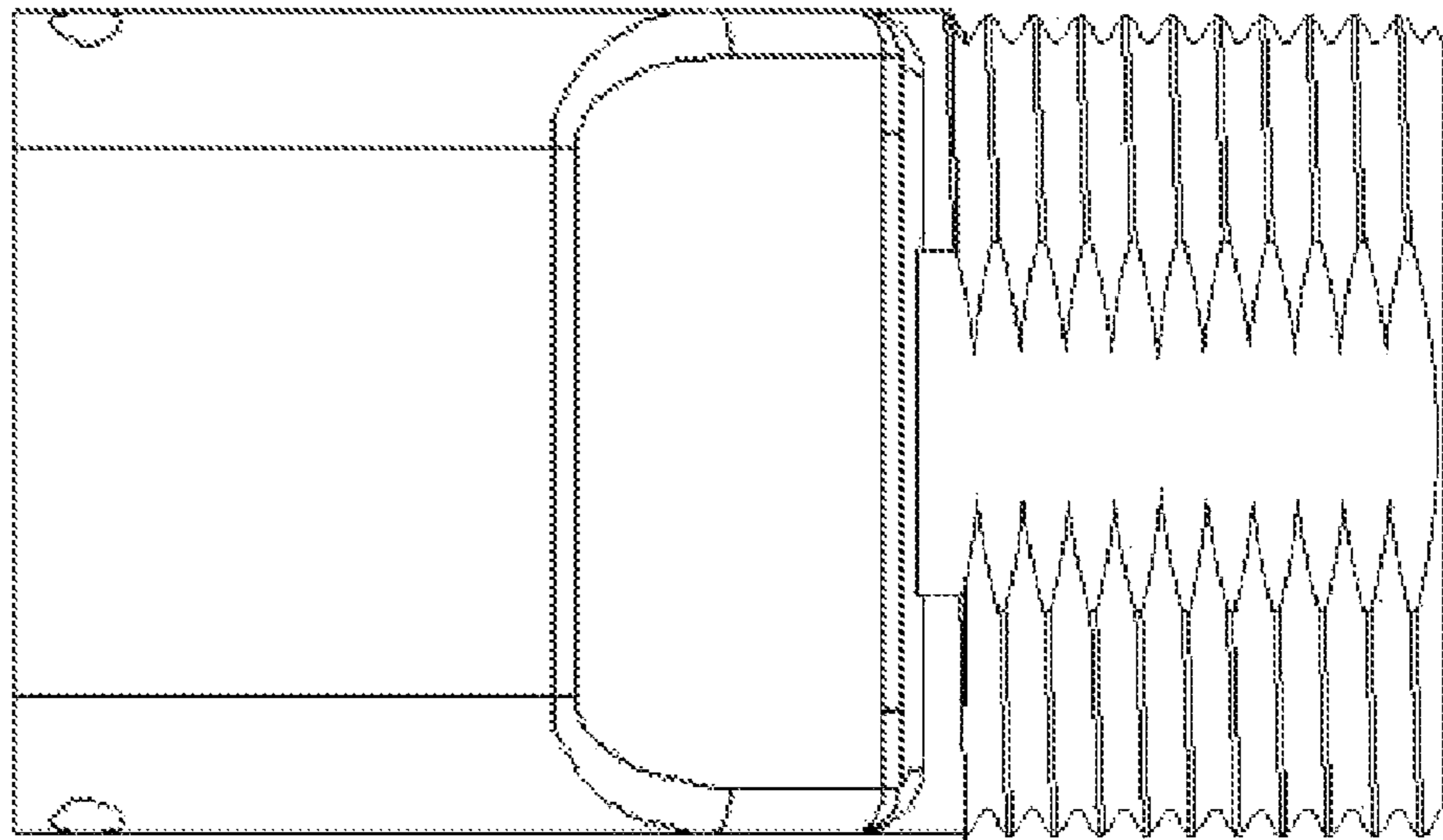


FIG. 3

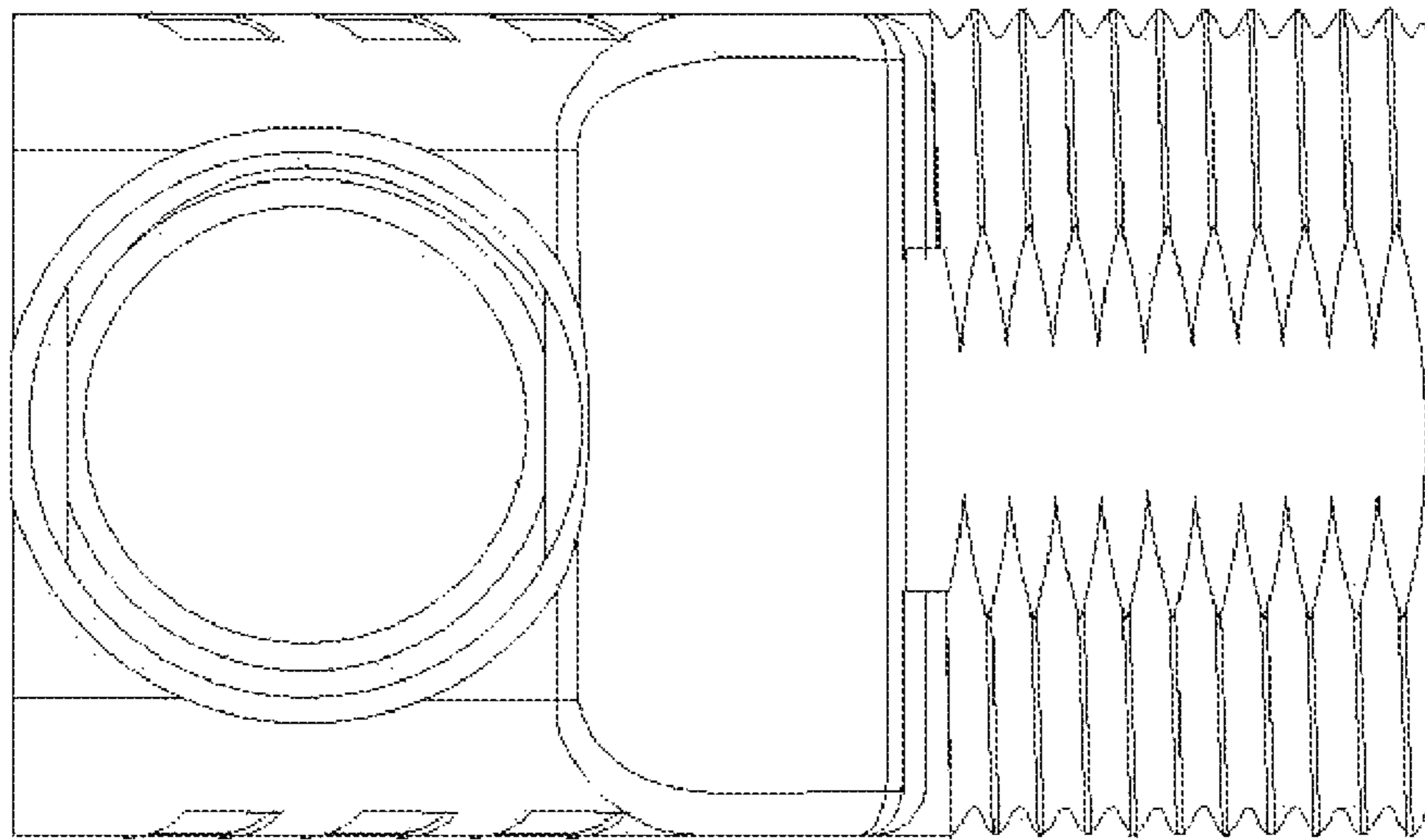


FIG. 4

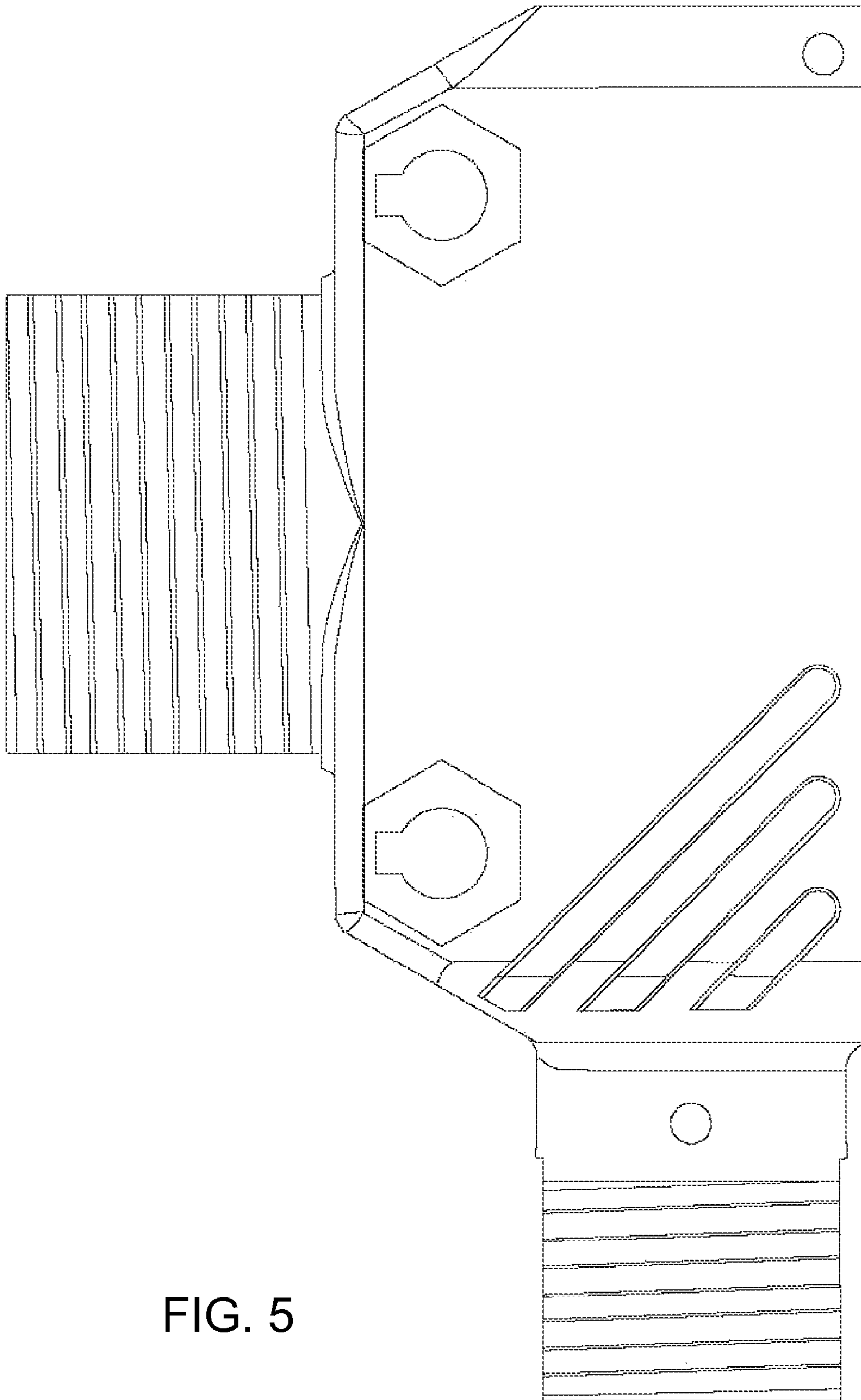


FIG. 5

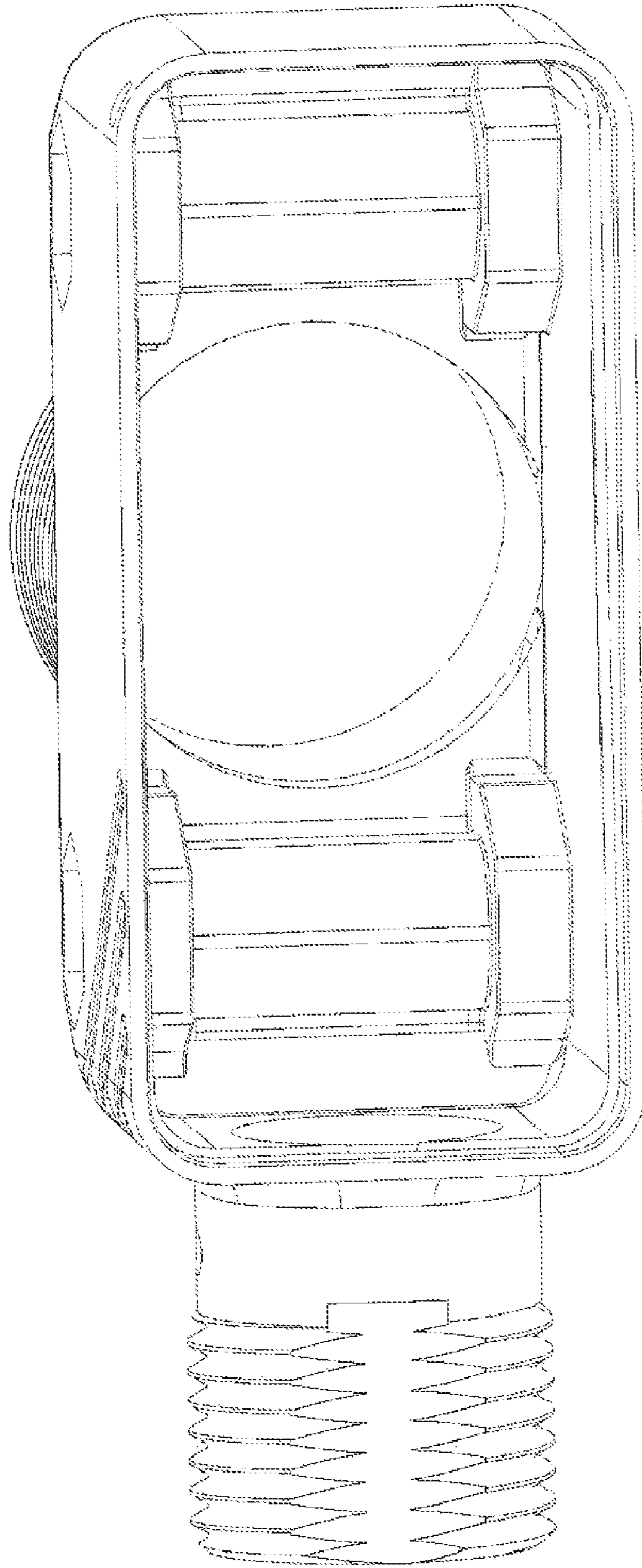


FIG. 6