



US00D621726S

(12) **United States Design Patent**
Lattmann

(10) **Patent No.:** **US D621,726 S**
(45) **Date of Patent:** **** Aug. 17, 2010**

(54) **WRISTWATCH**

(75) Inventor: **Christian Lattmann**, Denens (CH)

(73) Assignee: **The Swatch Group Management Services AG**, Biel (CH)

(**) Term: **14 Years**

(21) Appl. No.: **29/343,766**

(22) Filed: **Sep. 18, 2009**

(30) **Foreign Application Priority Data**

Mar. 18, 2009 (WO) DM/071 483

(51) **LOC (9) Cl.** **10-02**

(52) **U.S. Cl.** **D10/38**

(58) **Field of Classification Search** D10/30-39,
D10/122-126; 368/276, 277, 281, 282, 285,
368/80, 223, 228, 232, 239-242

See application file for complete search history.

(56) **References Cited**

U.S. PATENT DOCUMENTS

D150,048 S *	6/1948	Arpels	D10/32
D339,534 S *	9/1993	Frappe	D10/39
D339,752 S *	9/1993	Frappe	D10/39
D390,479 S *	2/1998	Brandys et al.	D10/39
D397,945 S *	9/1998	Gruosi	D10/39
D404,318 S *	1/1999	Slowinski	D10/32
D444,406 S *	7/2001	Hysek	D10/126
D454,802 S *	3/2002	Hegi	D10/39
D460,921 S *	7/2002	Helleu	D10/32
D468,217 S *	1/2003	Lepeu et al.	D10/32
D474,697 S *	5/2003	Fu et al.	D10/30

D475,306 S *	6/2003	Modolo	D10/39
D490,721 S *	6/2004	Chodat	D10/39
D495,613 S *	9/2004	Ellia	D10/39
6,958,955 B2 *	10/2005	Yuzuki et al.	368/82
D539,670 S *	4/2007	Behling	D10/32
D563,801 S *	3/2008	Holtzman	D10/39
D566,583 S *	4/2008	Holtzman	D10/39
D570,229 S *	6/2008	Ellia	D10/30
D576,501 S *	9/2008	Tang	D10/32
D588,945 S *	3/2009	Arabo	D10/39
D589,374 S *	3/2009	Tang	D10/32
D589,375 S *	3/2009	Tang	D10/32
D602,790 S *	10/2009	Lipe	D10/32

* cited by examiner

Primary Examiner—Lucy Lieberman

(74) *Attorney, Agent, or Firm*—Collen IP; Donald J. Ranft

(57) **CLAIM**

The ornamental design for a wristwatch, as shown and described.

DESCRIPTION

FIG. 1 is a front view of my new, original and ornamental design for a wristwatch;

FIG. 2 is a rear view thereof;

FIG. 3 is a bottom view thereof;

FIG. 4 is a top view thereof;

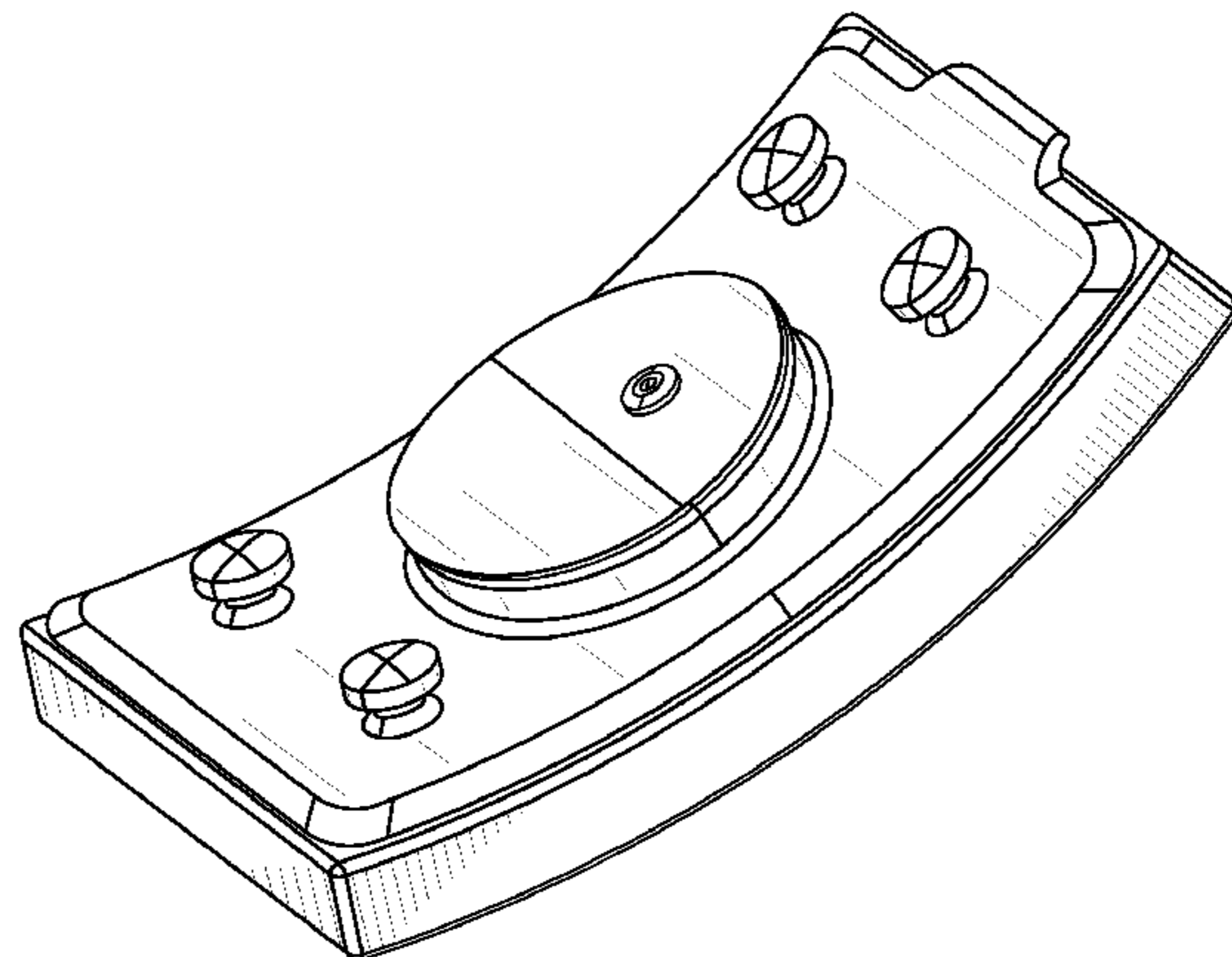
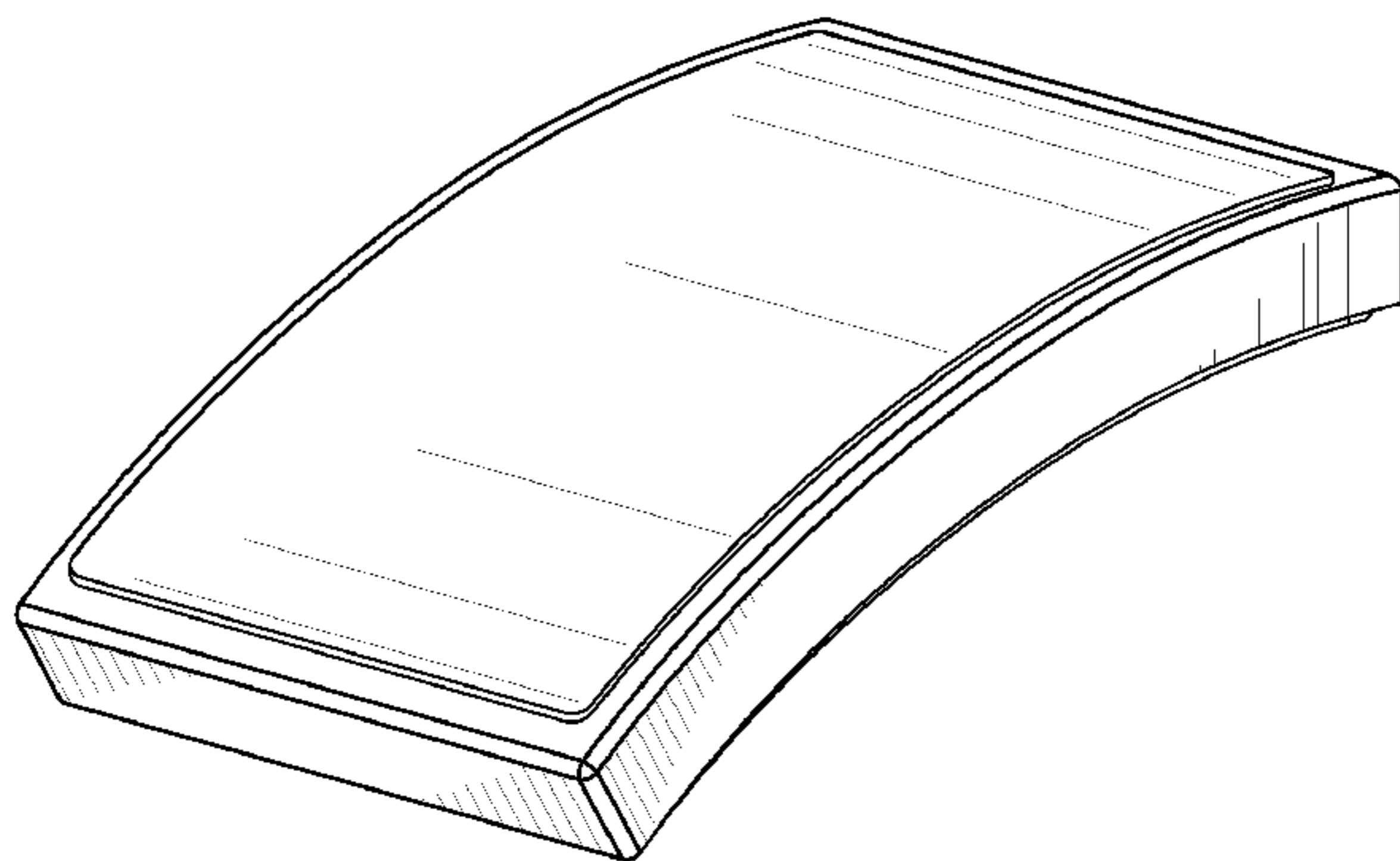
FIG. 5 is a right side view thereof;

FIG. 6 is a left side view thereof;

FIG. 7 is a front right perspective view thereof; and,

FIG. 8 is a rear left perspective view thereof.

1 Claim, 4 Drawing Sheets



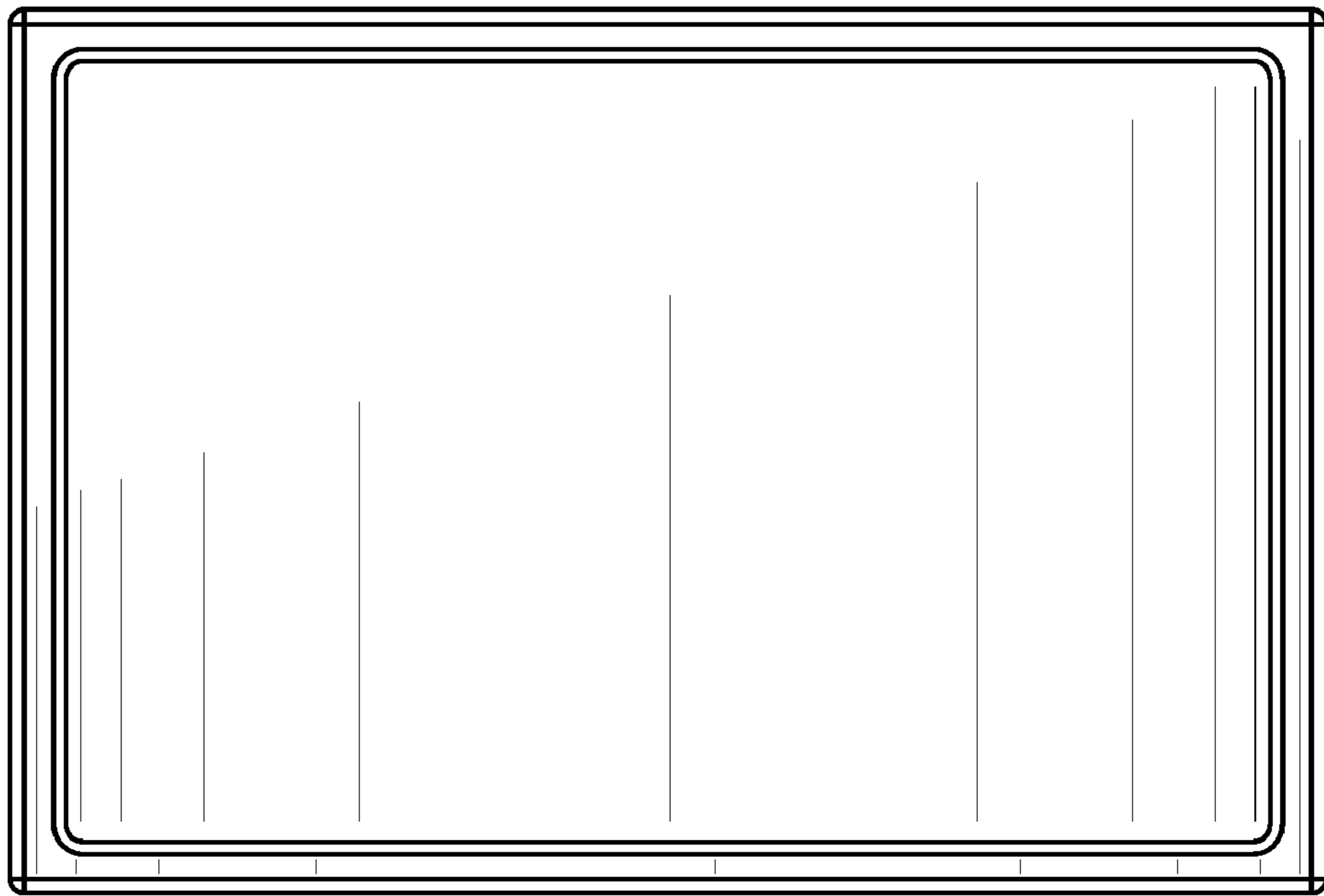


FIG. 1

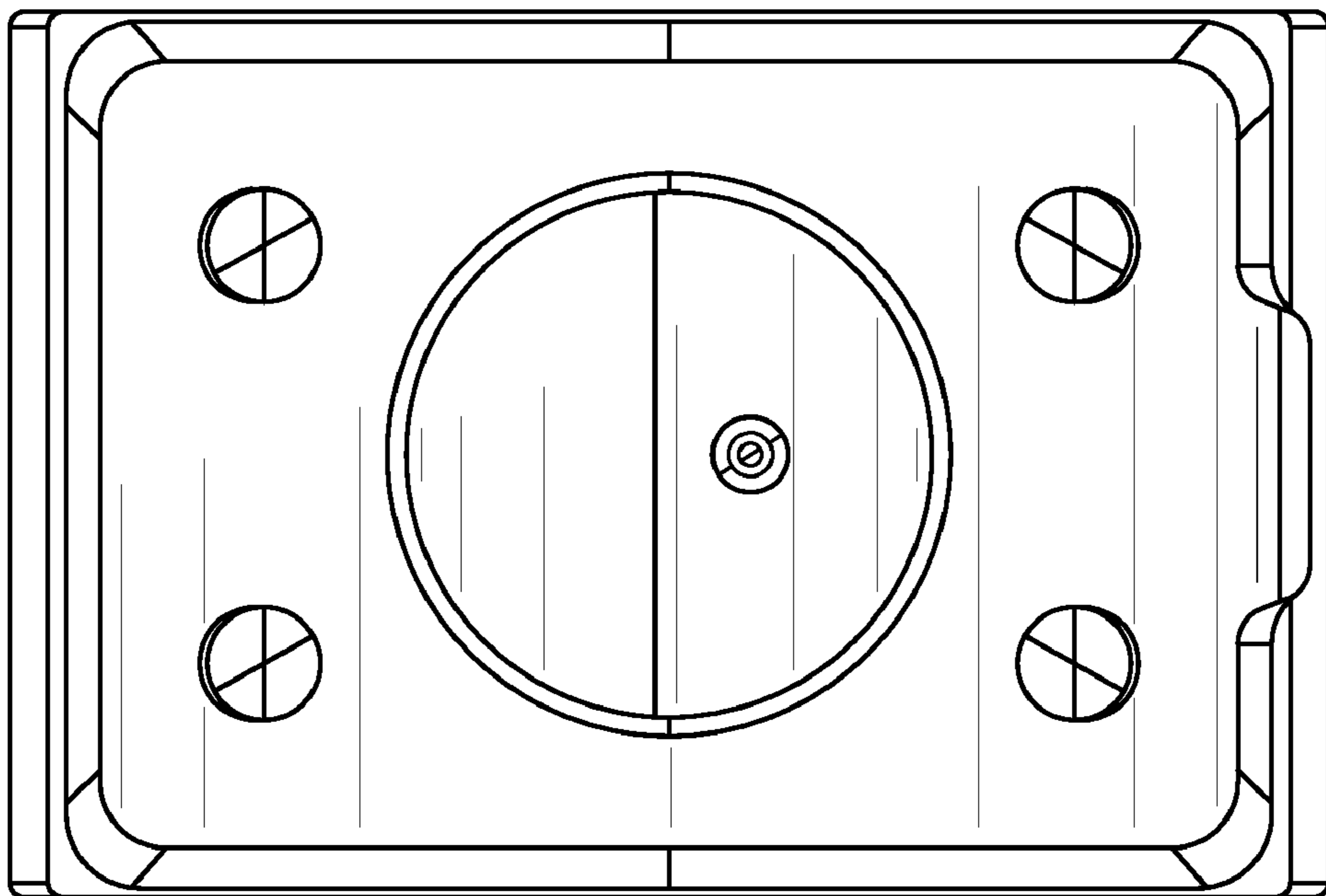


FIG. 2

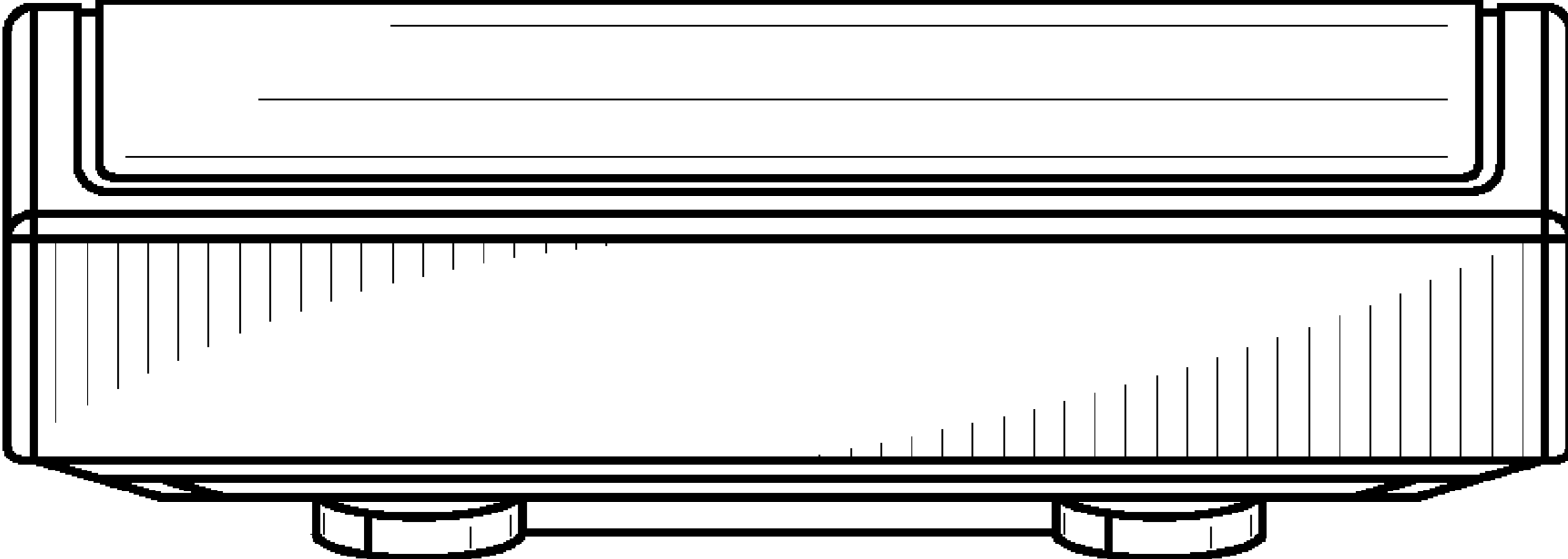


FIG. 3

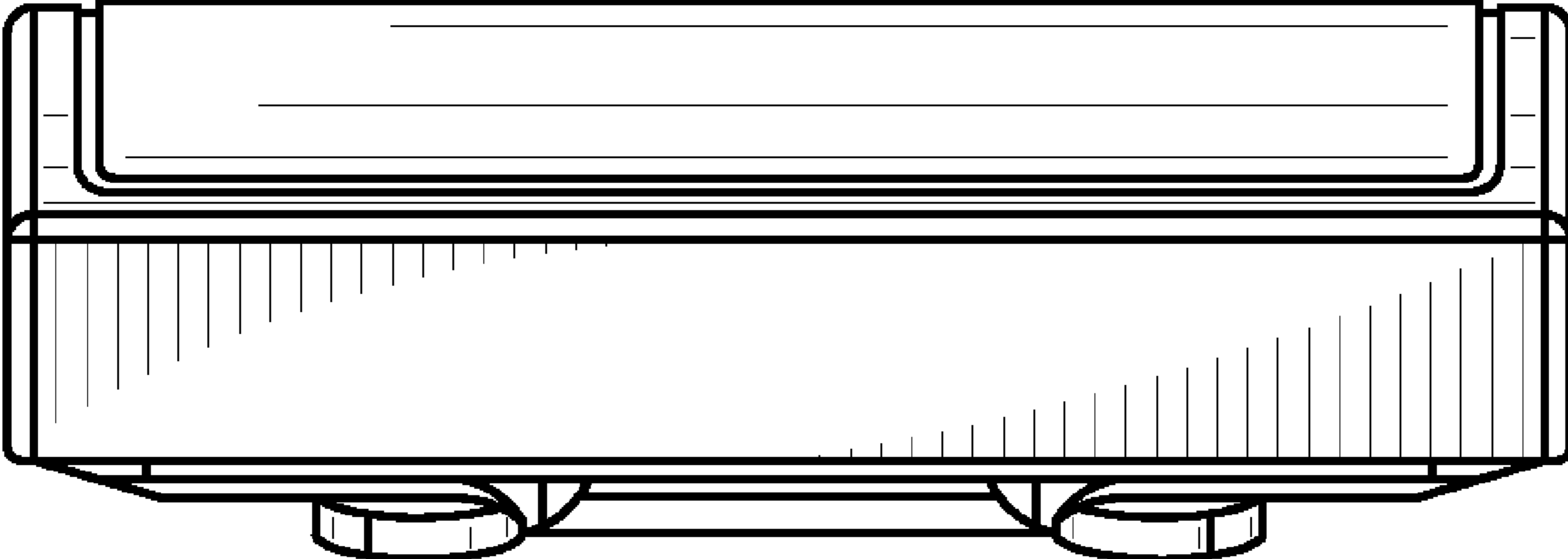


FIG. 4

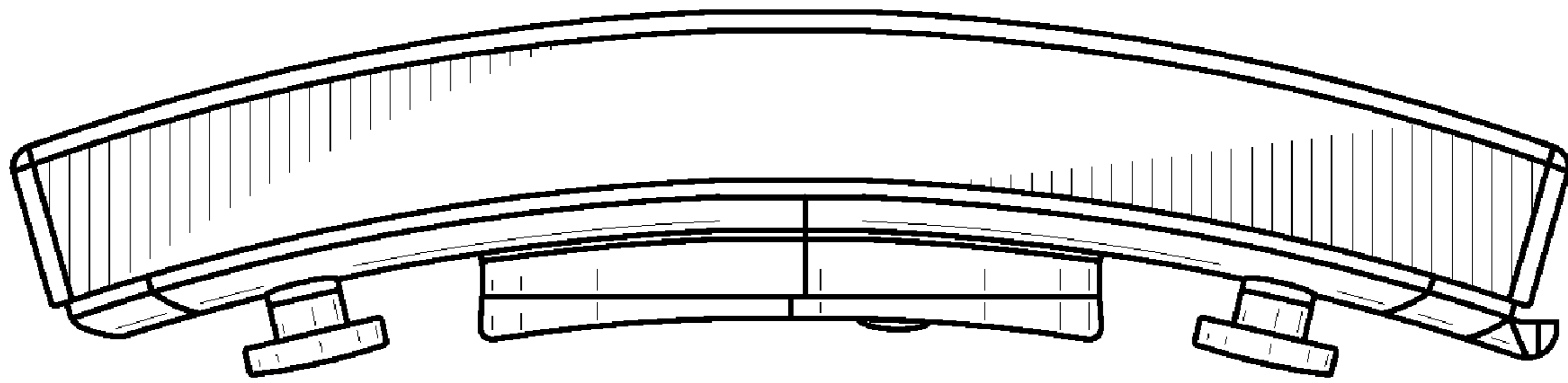


FIG. 5

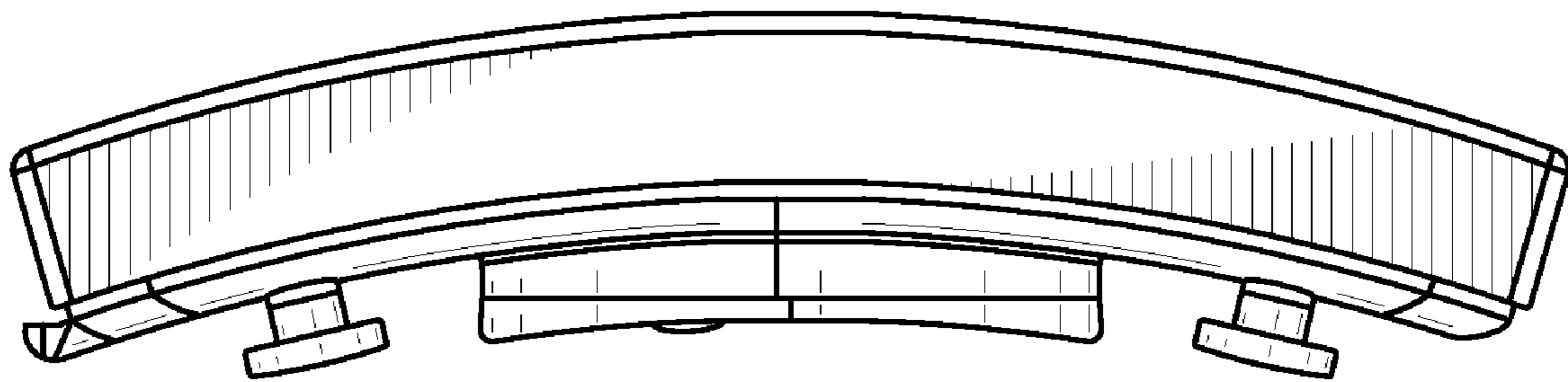


FIG. 6

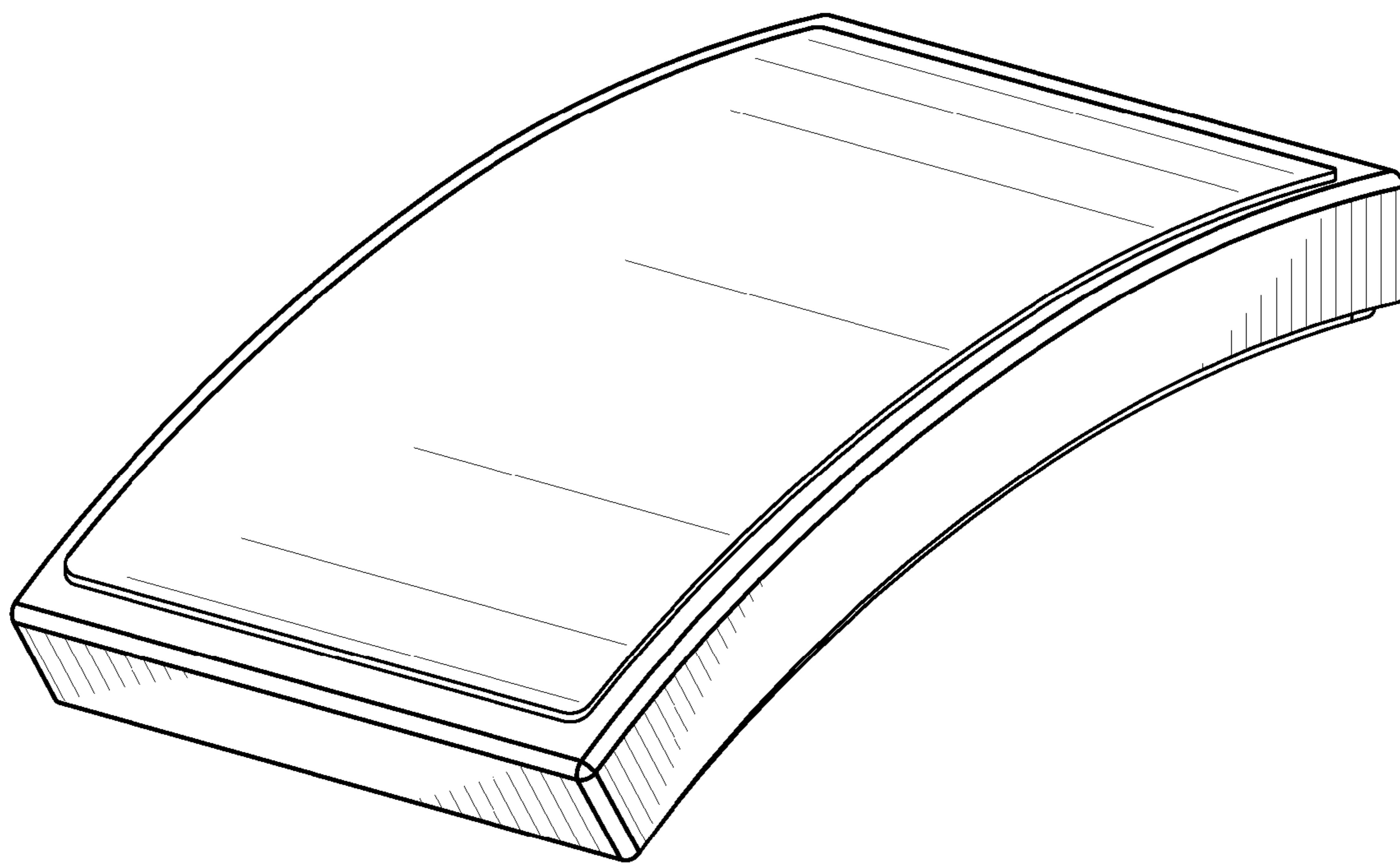


FIG. 7

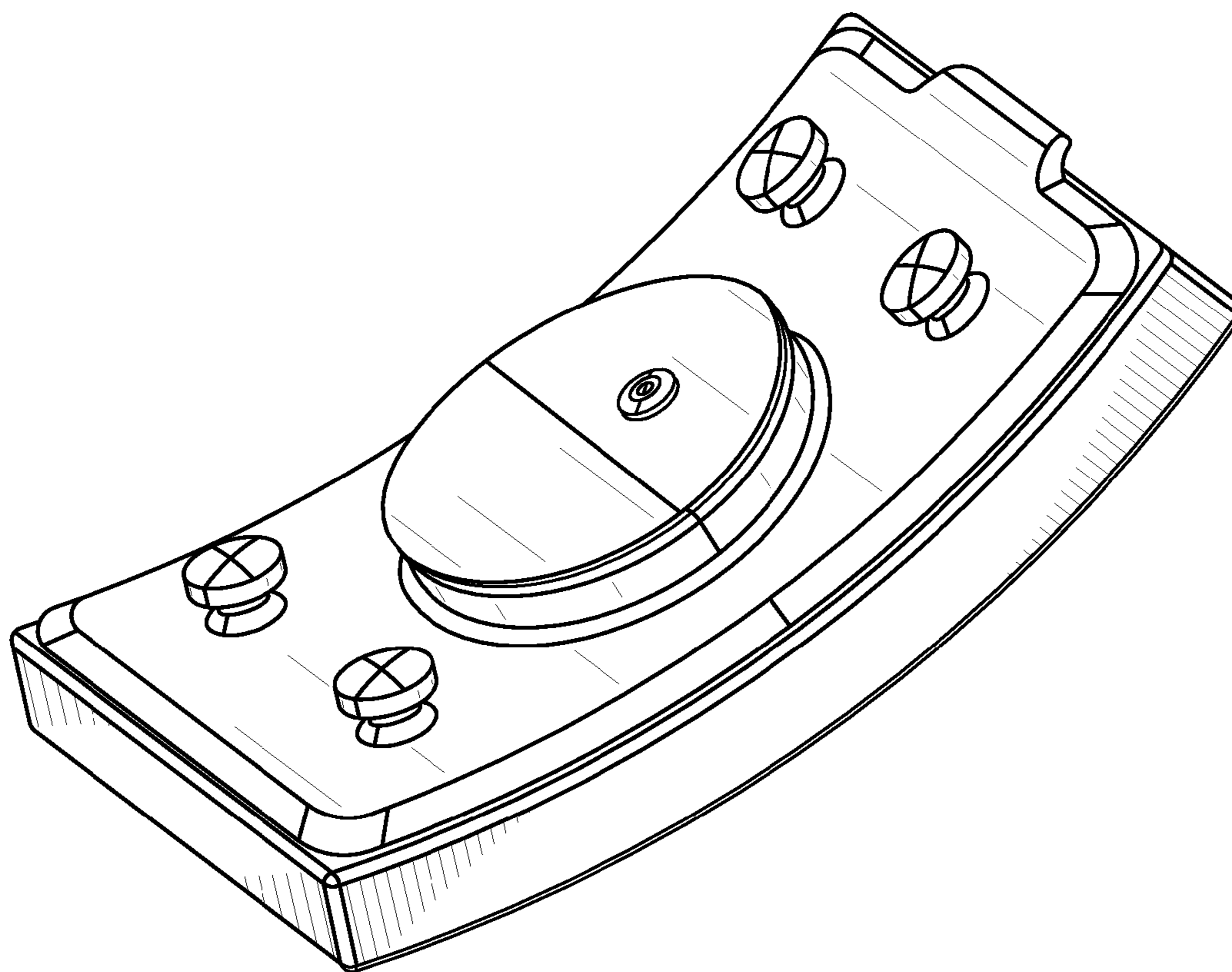


FIG. 8