



US00D621722S

(12) **United States Design Patent**
Nalagatla et al.

(10) **Patent No.:** **US D621,722 S**
(45) **Date of Patent:** **** Aug. 17, 2010**

(54) **DRUG CASSETTE**

(76) Inventors: **Anil K. Nalagatla**, 4653 Sarah Dr., Mason, OH (US) 45040; **Tommy C. Cushing**, 8104 Indian Palms Trail, McKinney, TX (US) 75070; **Louis Sabo**, 12116 McCurry Rd., Coupland, TX (US) 78615; **Lee K. Kulle**, P.O. Box 341, Aubrey, TX (US) 76227; **Michael John Miller**, 6437 Fieldstone Dr., Mason, OH (US) 45040; **Richard W. Flaker**, 1056 Oberlin Dr., Fairfield, OH (US) 45014; **Gregory D. Bishop**, 6446 Hughes Ridge La., Hamilton, OH (US) 45011

(**) Term: **14 Years**

(21) Appl. No.: **29/356,173**

(22) Filed: **Feb. 20, 2010**

Related U.S. Application Data

(63) Continuation of application No. 29/235,432, filed on Aug. 2, 2005, now Pat. No. Des. 613,184.

(51) **LOC (9) Cl.** **09-03**

(52) **U.S. Cl.** **D9/737; D24/229**

(58) **Field of Classification Search** D9/413, D9/417, 424, 430, 433, 456, 457, 730, 736; 206/523, 527, 530-538, 561-564, 814-815, 206/822, 828; 220/528, 890, DIG. 12-14; 604/407; D24/101, 229; D3/203.1, 203.2, D3/203.6

See application file for complete search history.

(56) **References Cited**

U.S. PATENT DOCUMENTS

4,165,709 A 8/1979 Studer

- D265,793 S 8/1982 Owen et al.
- D363,661 S 10/1995 Lambelet et al.
- D370,414 S 6/1996 Lambelet
- D380,378 S 7/1997 Wood
- 6,236,639 B1 5/2001 Selg et al.
- D483,560 S 12/2003 Thompson
- D507,965 S 8/2005 Alvino et al.
- D524,167 S 7/2006 Wilson
- D533,993 S 12/2006 Coe et al.

Primary Examiner—Caron Veynar
Assistant Examiner—Abraham Bahta
(74) *Attorney, Agent, or Firm*—Verne E. Kreger, Jr.

(57) **CLAIM**

The ornamental design for a drug cassette, as shown and described.

DESCRIPTION

FIG. 1 is a perspective view of a drug cassette as seen from the top, front and left sides;

FIG. 2 is a top plan view thereof;

FIG. 3 is a front elevation view thereof;

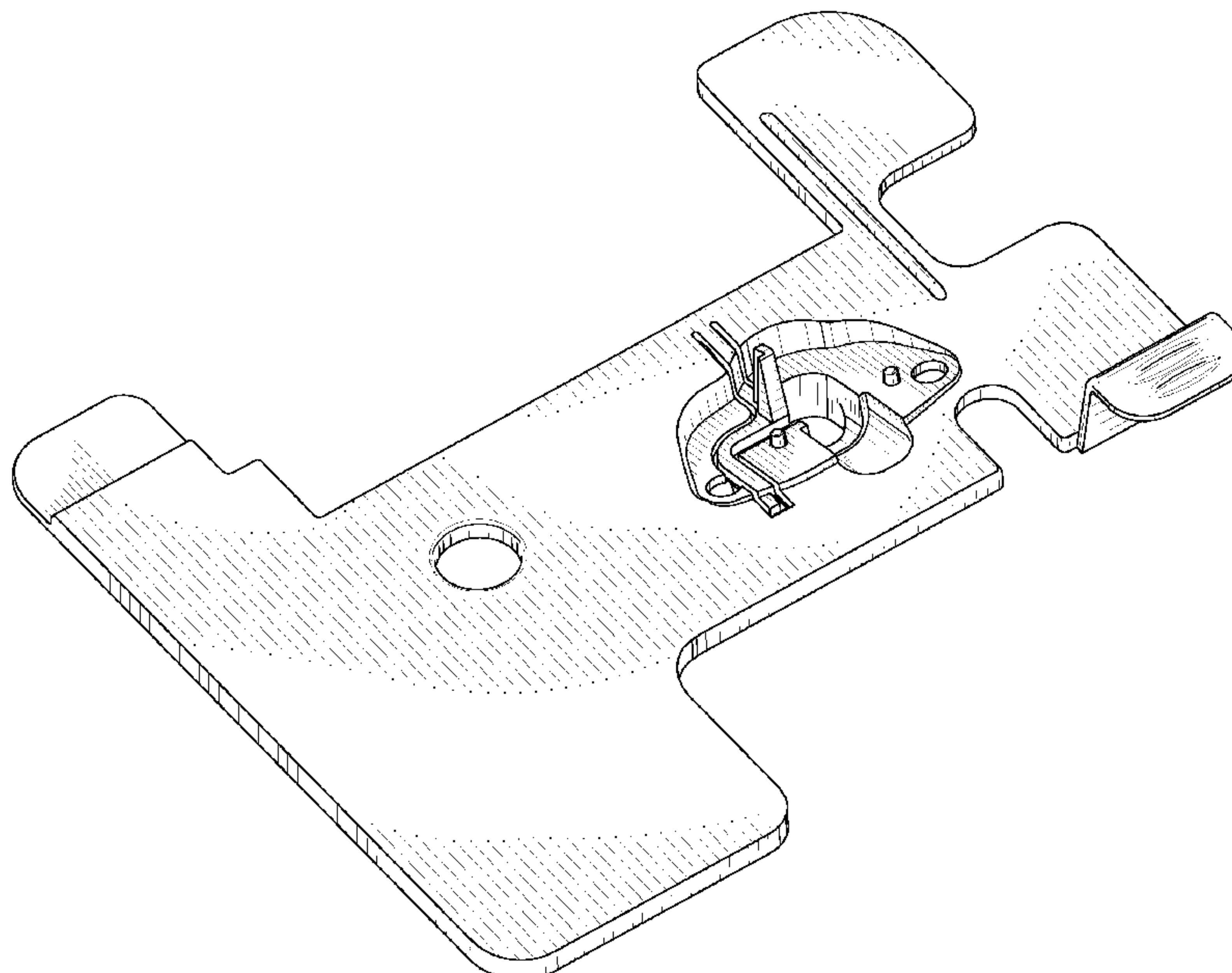
FIG. 4 is a rear elevation view thereof;

FIG. 5 is a right side elevation view thereof; and,

FIG. 6 is a left side elevation view thereof.

The broken line showing is for illustrative purposes and forms no part of the claimed design.

1 Claim, 4 Drawing Sheets



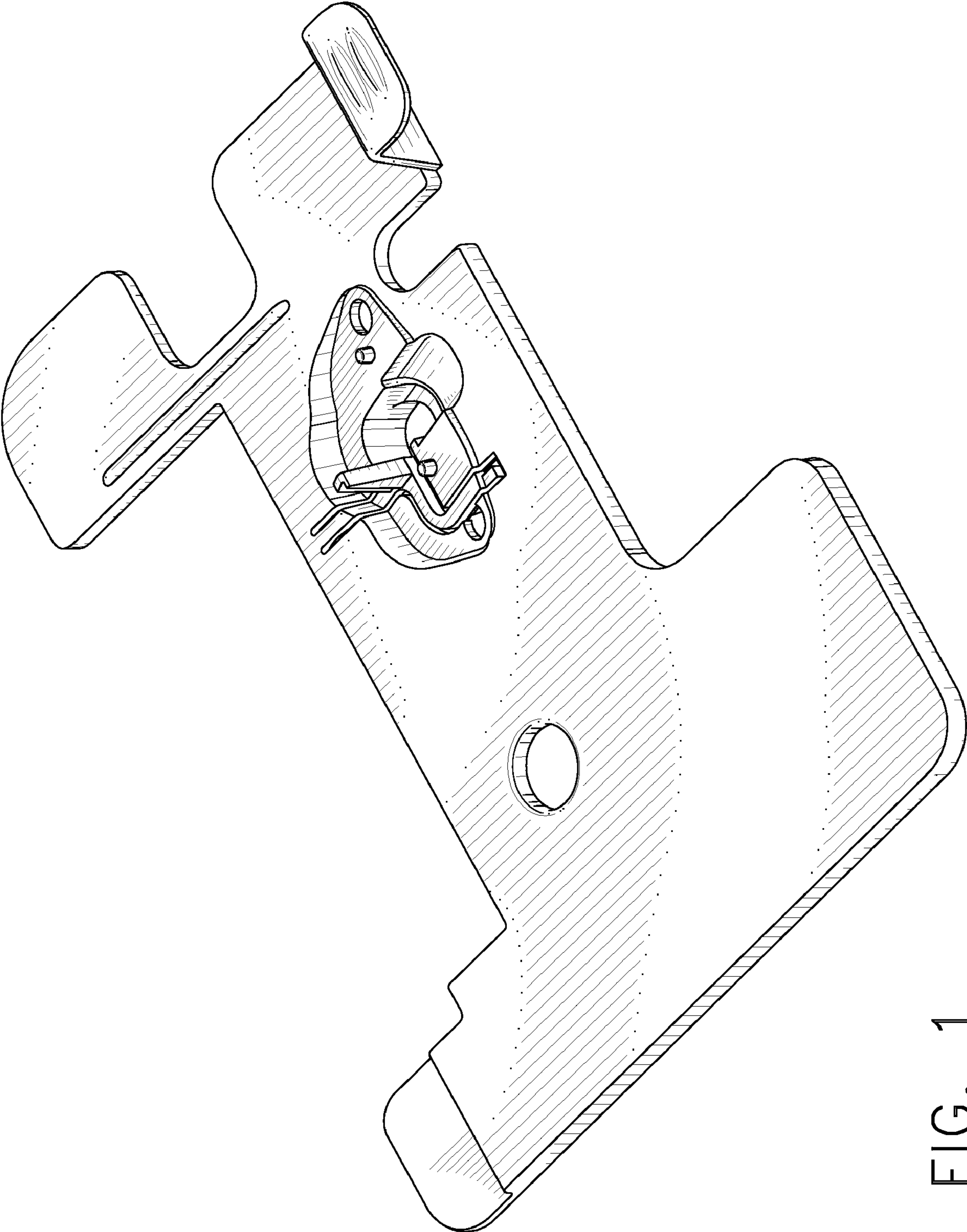


FIG. 1

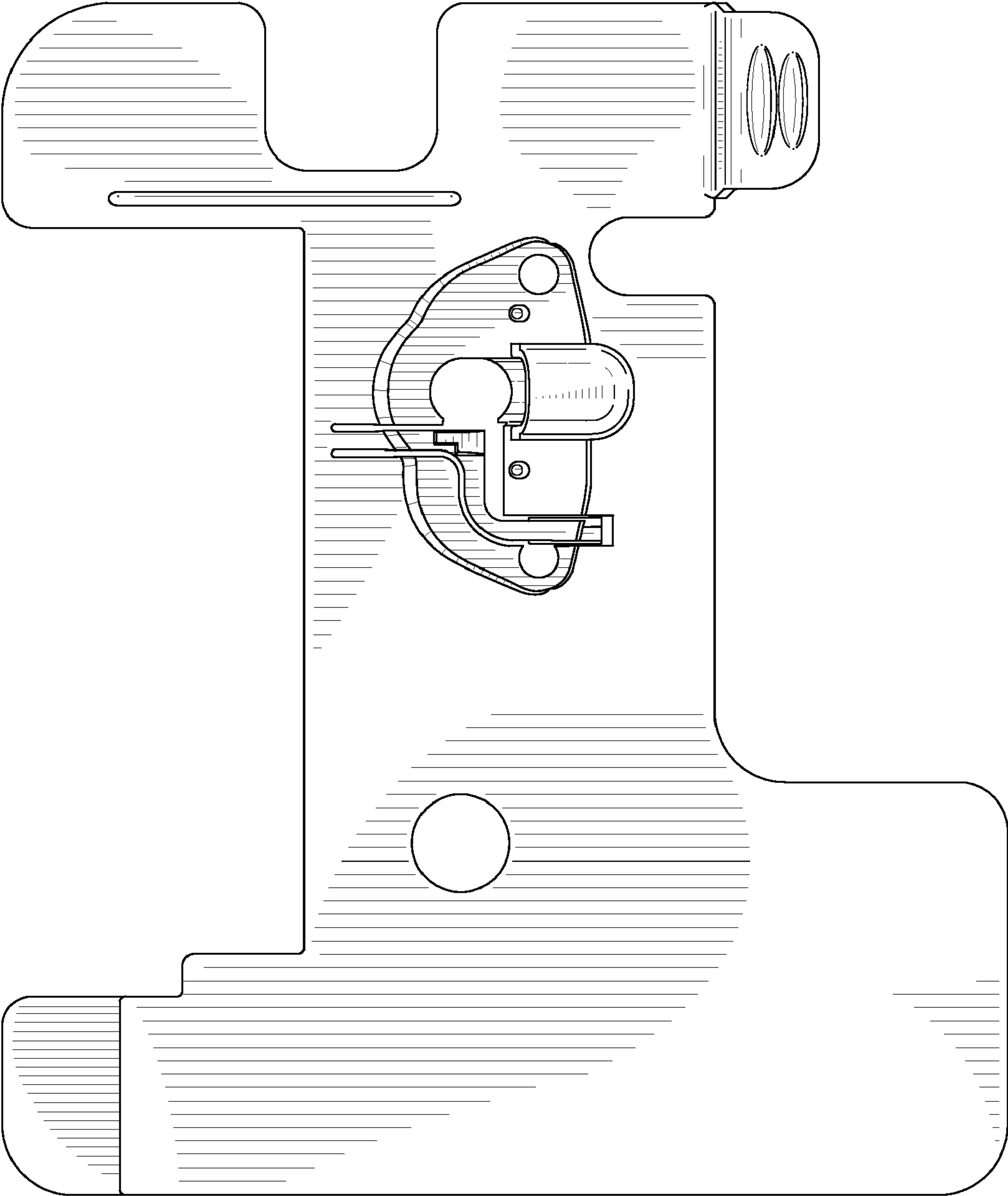


FIG. 2

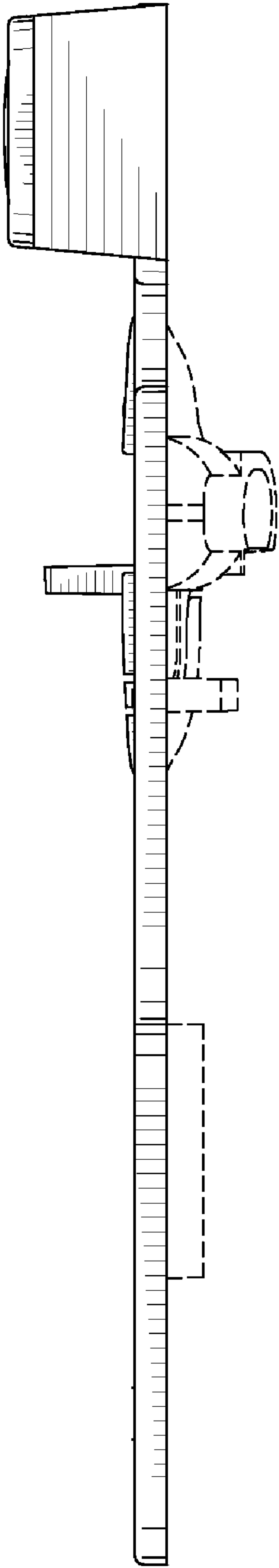


FIG. 3

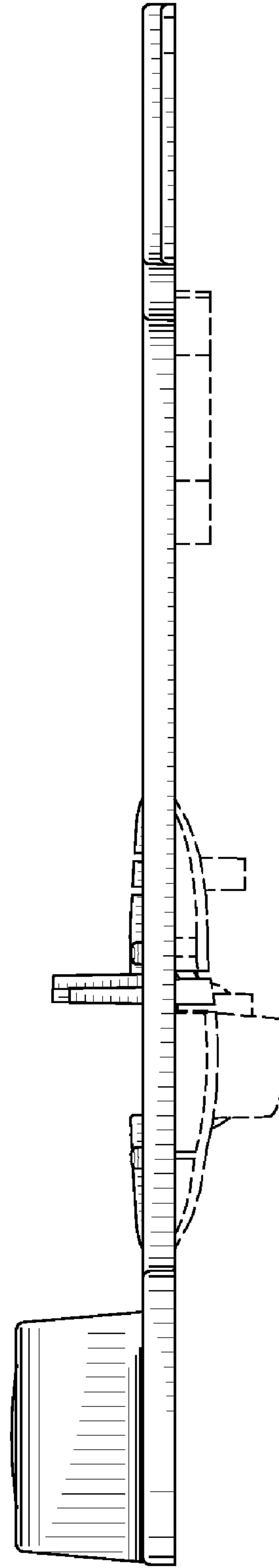


FIG. 4

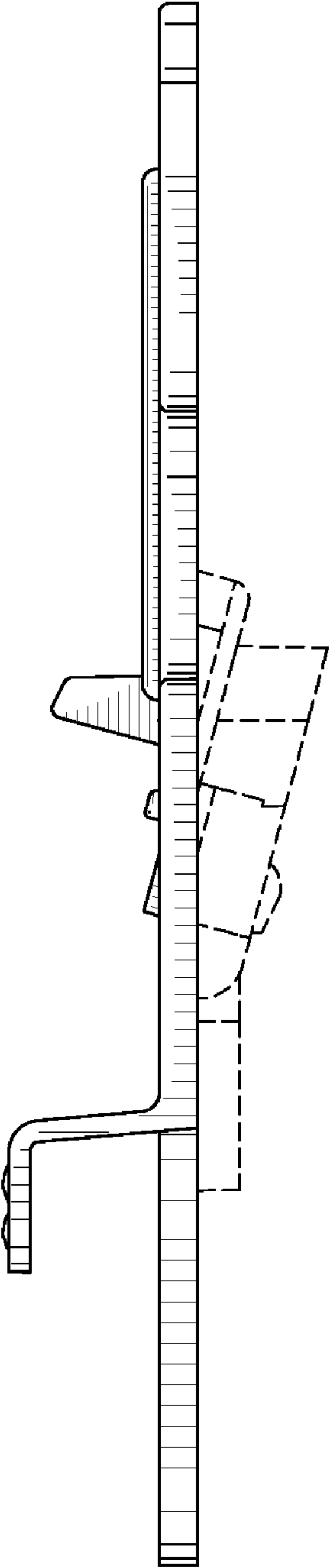


FIG. 5

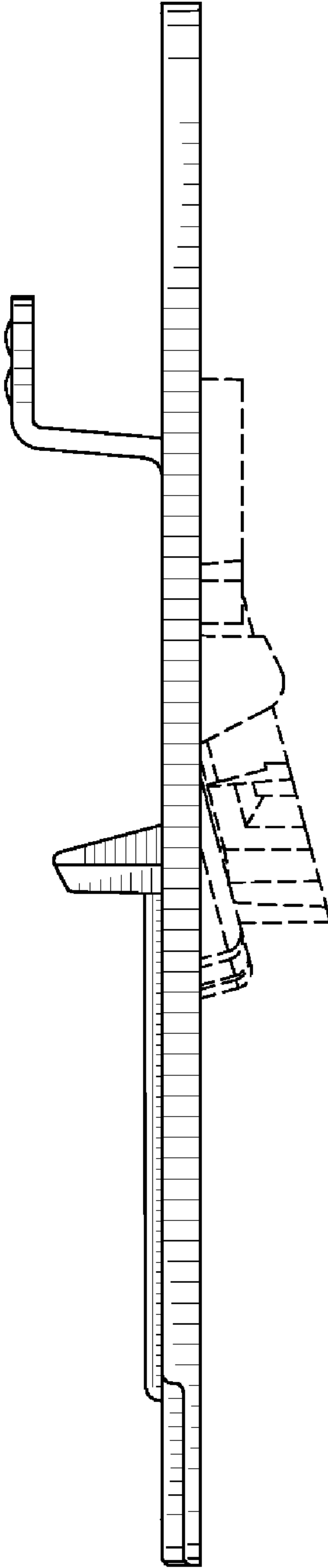


FIG. 6