



US00D621716S

(12) **United States Design Patent**
Camby

(10) **Patent No.:** **US D621,716 S**
(45) **Date of Patent:** **** Aug. 17, 2010**

(54) **BOTTLE**

(75) Inventor: **Murièle Camby**, Marcoussis (FR)

(73) Assignee: **Saint-Gobain Emballage**, Courbevoie (FR)

(**) Term: **14 Years**

(21) Appl. No.: **29/309,049**

(22) Filed: **Jun. 16, 2008**

(51) **LOC (9) Cl.** **09-01**

(52) **U.S. Cl.** **D9/545; D9/558; D9/573**

(58) **Field of Classification Search** D9/500,
D9/503-505, 520, 545, 549, 558, 682, 686-690,
D9/692; 215/379, 381-382; 220/660, 662,
220/669, 675

See application file for complete search history.

(56) **References Cited**

U.S. PATENT DOCUMENTS

D385,797 S *	11/1997	Baschmakoff	D9/544
D387,282 S *	12/1997	De Baschmakoff	D9/545
D396,413 S *	7/1998	Duboff	D9/539
D536,256 S *	2/2007	Nagata	D9/557
D536,257 S *	2/2007	Weber	D9/558
D538,172 S	3/2007	Camby		

FOREIGN PATENT DOCUMENTS

WO DM/057769 * 9/2001

OTHER PUBLICATIONS

U.S. Appl. No. 29/309,050, filed Jun. 16, 2008, Camby.
U.S. Appl. No. 29/309,049, filed Jun. 16, 2008, Camby.

* cited by examiner

Primary Examiner—Ian Simmons

Assistant Examiner—Dana L Sipos

(74) *Attorney, Agent, or Firm*—Oblon, Spivak, McClelland,
Maier & Neustadt, L.L.P.

(57) **CLAIM**

I claim the ornamental design for a bottle, as shown and described.

DESCRIPTION

FIG. 1 is a front elevation view of a bottle showing my new design;

FIG. 2 is a right side elevation view thereof, the left side elevation view being identical;

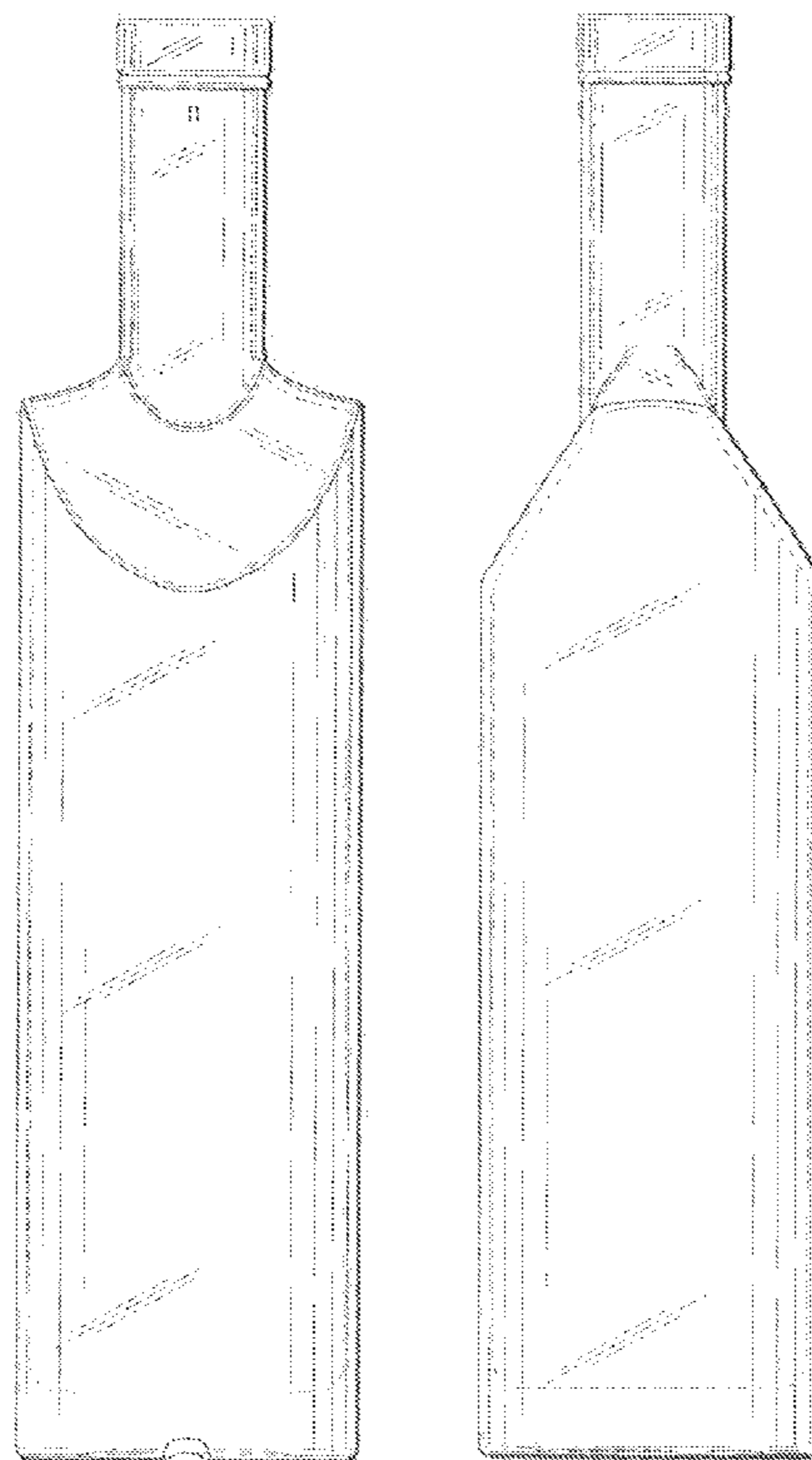
FIG. 3 is a top, front perspective view thereof;

FIG. 4 is a top, right side perspective view thereof, the top, left side perspective being a mirror image; and,

FIG. 5 is a top plan view thereof.

The evenly dashed broken lines in the drawings illustrate the portions of the design that form no part of the claim. The dot-dash broken lines in the drawings define the bounds of the claim and form no part thereof.

1 Claim, 5 Drawing Sheets



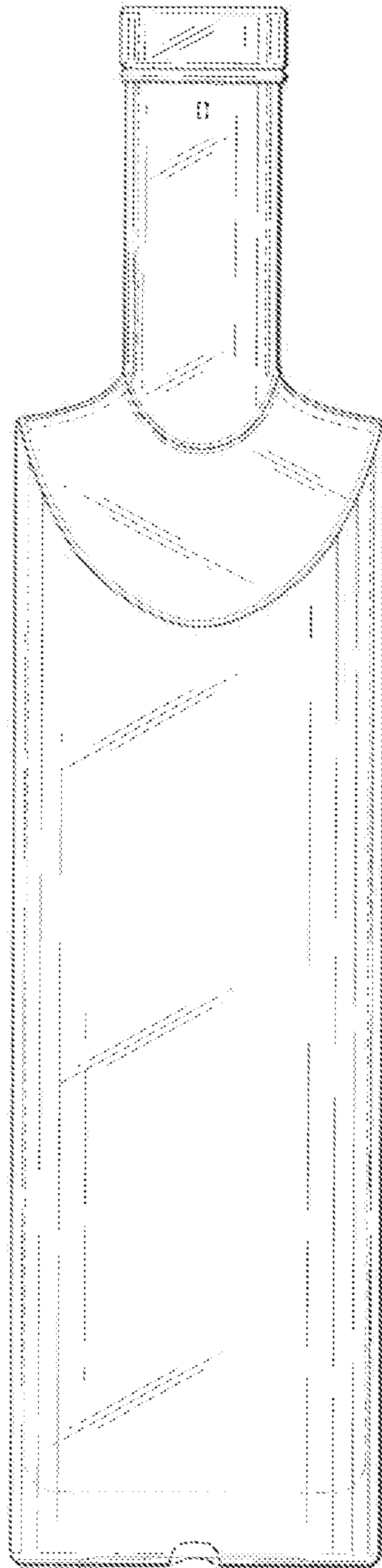


Fig. 1

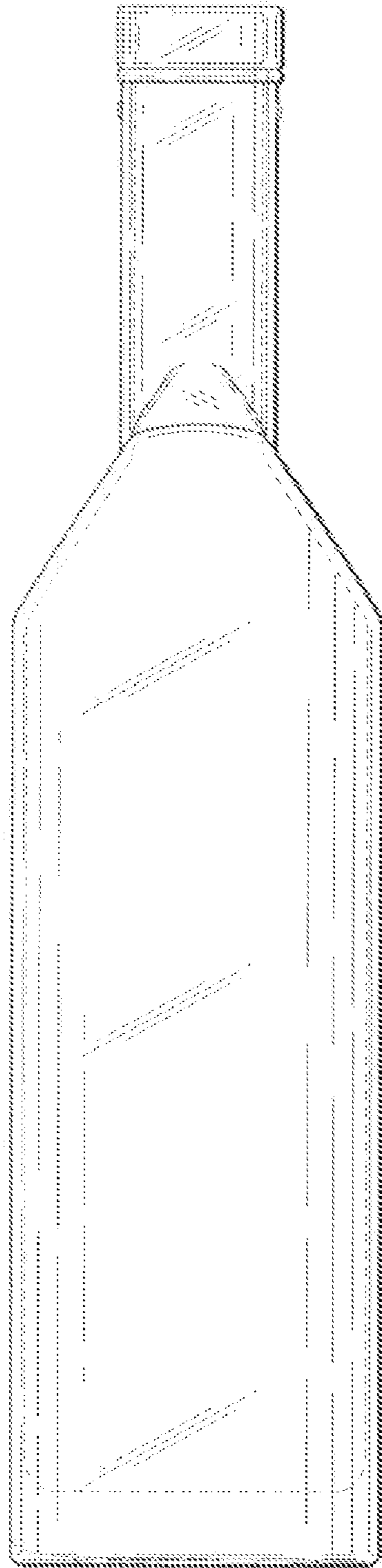


Fig. 2

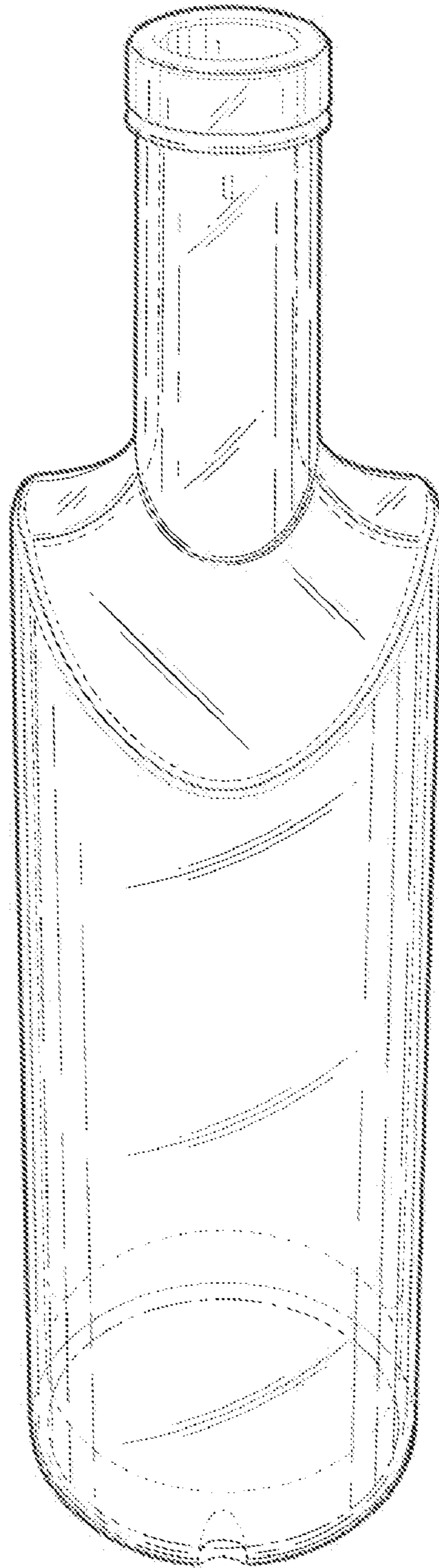


Fig. 3

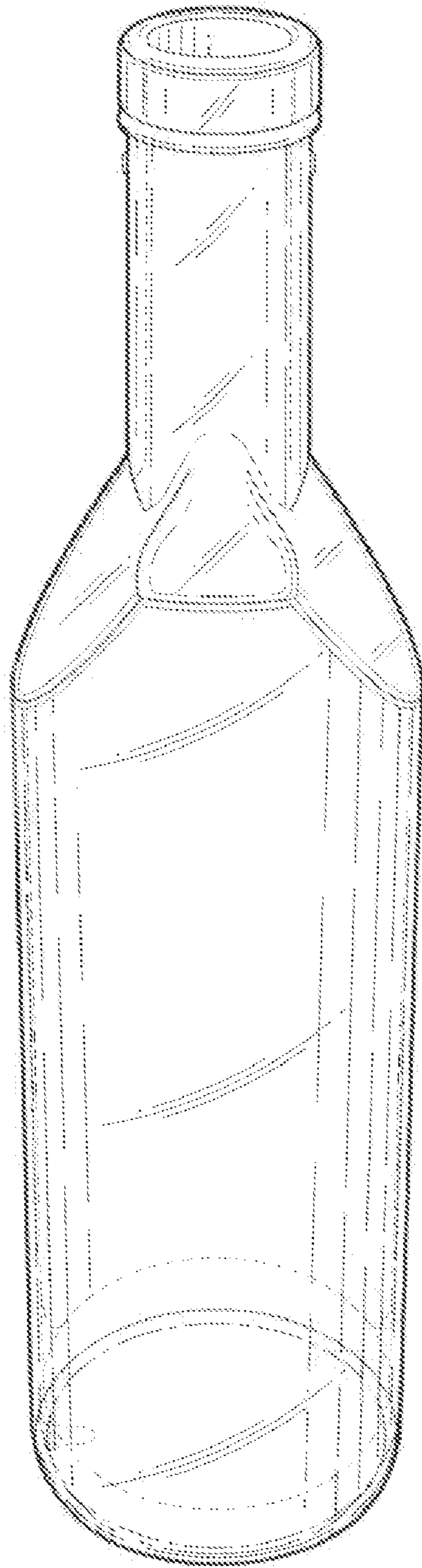


Fig. 4

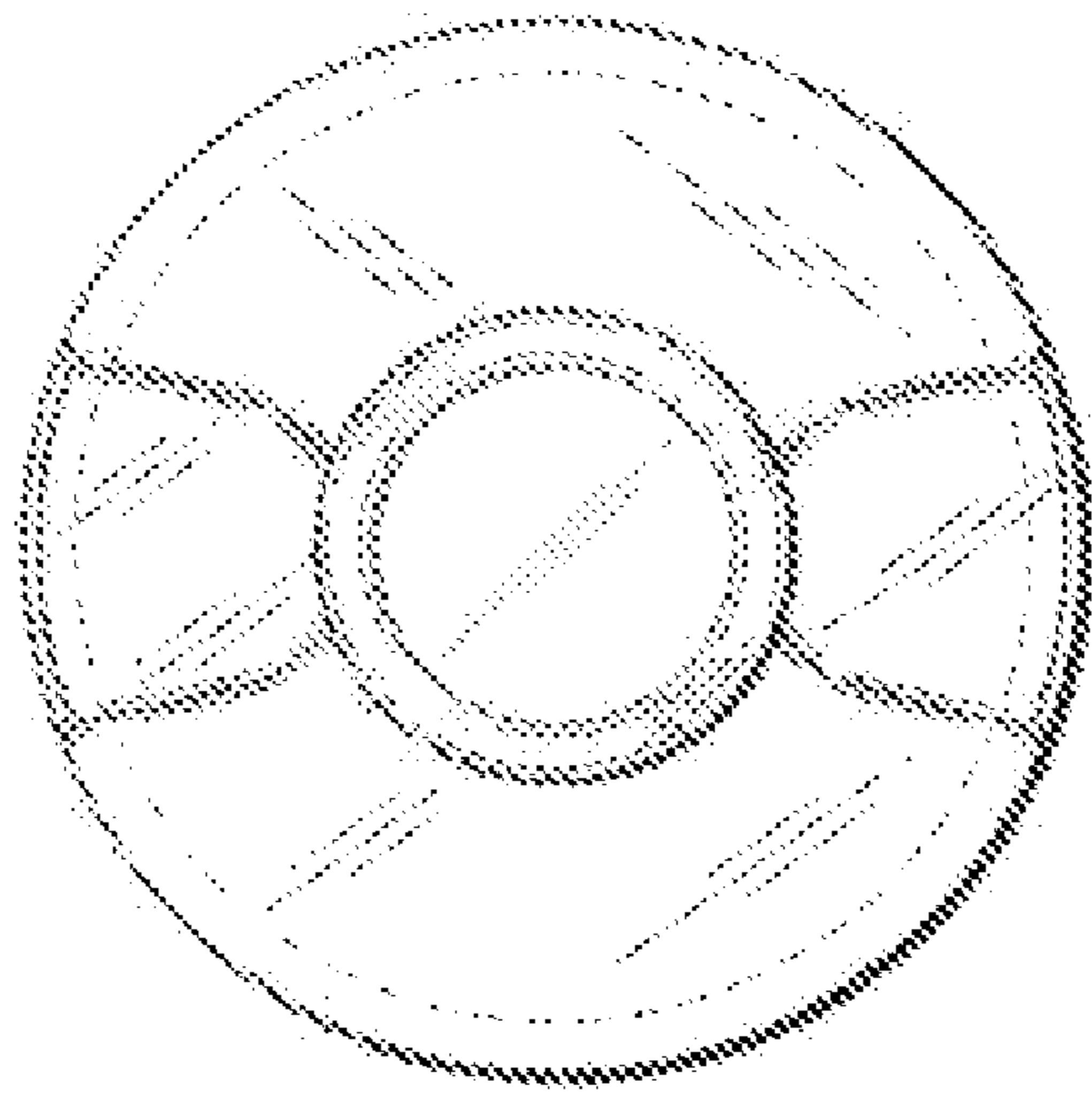


Fig. 5