



US00D621708S

(12) **United States Design Patent**
Thomas et al.

(10) **Patent No.:** **US D621,708 S**
(45) **Date of Patent:** **** Aug. 17, 2010**

(54) **JAR**
(75) Inventors: **Stacy Alycia Thomas**, Chicago, IL (US);
Patty Hing Yan Tsang, Guangzhou (CN);
Dongpo Huang, Beijing (CN);
Timothy Lee Tyler, Cincinnati, OH (US);
Chaohang Deng, Guangzhou (CN)
(73) Assignee: **The Procter & Gamble Company**,
Cincinnati, OH (US)

D556,586 S 12/2007 Mongeon et al.
D563,223 S 3/2008 Cornet et al.
D574,246 S 8/2008 Russell et al.
D575,456 S 8/2008 Kadlubowski et al.
D578,393 S * 10/2008 Canamasas Puigbo D9/500
D578,891 S * 10/2008 Canamasas Puigbo D9/500
D582,277 S * 12/2008 Canamasas Puigbo D9/500
D585,290 S 1/2009 Toh
D587,593 S 3/2009 Crawford

(**) Term: **14 Years**
(21) Appl. No.: **29/308,534**
(22) Filed: **Jun. 20, 2008**

(51) **LOC (9) Cl.** **09-01**
(52) **U.S. Cl.** **D9/500**
(58) **Field of Classification Search** D9/500,
D9/502-504, 516, 549, 558, 686, 688-691;
D28/82, 91; 215/379, 381-382; 220/660,
220/662, 665, 669-673, 675

See application file for complete search history.

(56) **References Cited**

U.S. PATENT DOCUMENTS

3,156,279 A * 11/1964 Grebowiec et al. 215/12.1
3,550,803 A * 12/1970 Pelli 215/12.1
4,429,798 A * 2/1984 Borows 215/12.1
D343,591 S * 1/1994 Lovato D11/87
D379,933 S 6/1997 Lambrecht
D405,003 S * 2/1999 Dapsanse D9/663
D435,449 S * 12/2000 Moretti D9/500
D472,812 S 4/2003 Lerolle
D493,721 S * 8/2004 Puigbo D9/504
D494,870 S 8/2004 Bakic
D527,641 S 9/2006 Bakic
D540,188 S 4/2007 Karussi et al.
D541,164 S 4/2007 Yamasaki et al.
D547,467 S * 7/2007 Horenziak et al. D26/6
D547,468 S * 7/2007 Horenziak et al. D26/6
D555,000 S 11/2007 Bunce et al.
D555,835 S * 11/2007 Song D28/76

OTHER PUBLICATIONS

KenzoKi—Clear Eyelid and Lash Gel; www.kenzousa.com; print date Nov. 24, 2009; 1 page.
KenzoKi—Cosmic Cosmetic Cream; www.kenzousa.com; print date Nov. 24, 2009; 1 page.
KenzoKi—Cream with a Sheen; www.kenzousa.com; print date Nov. 24, 2009; 1 page.

(Continued)

Primary Examiner—Ian Simmons
Assistant Examiner—Dana L Sipos
(74) *Attorney, Agent, or Firm*—Eric T. Addington; James C. Vago; Carl J. Roof

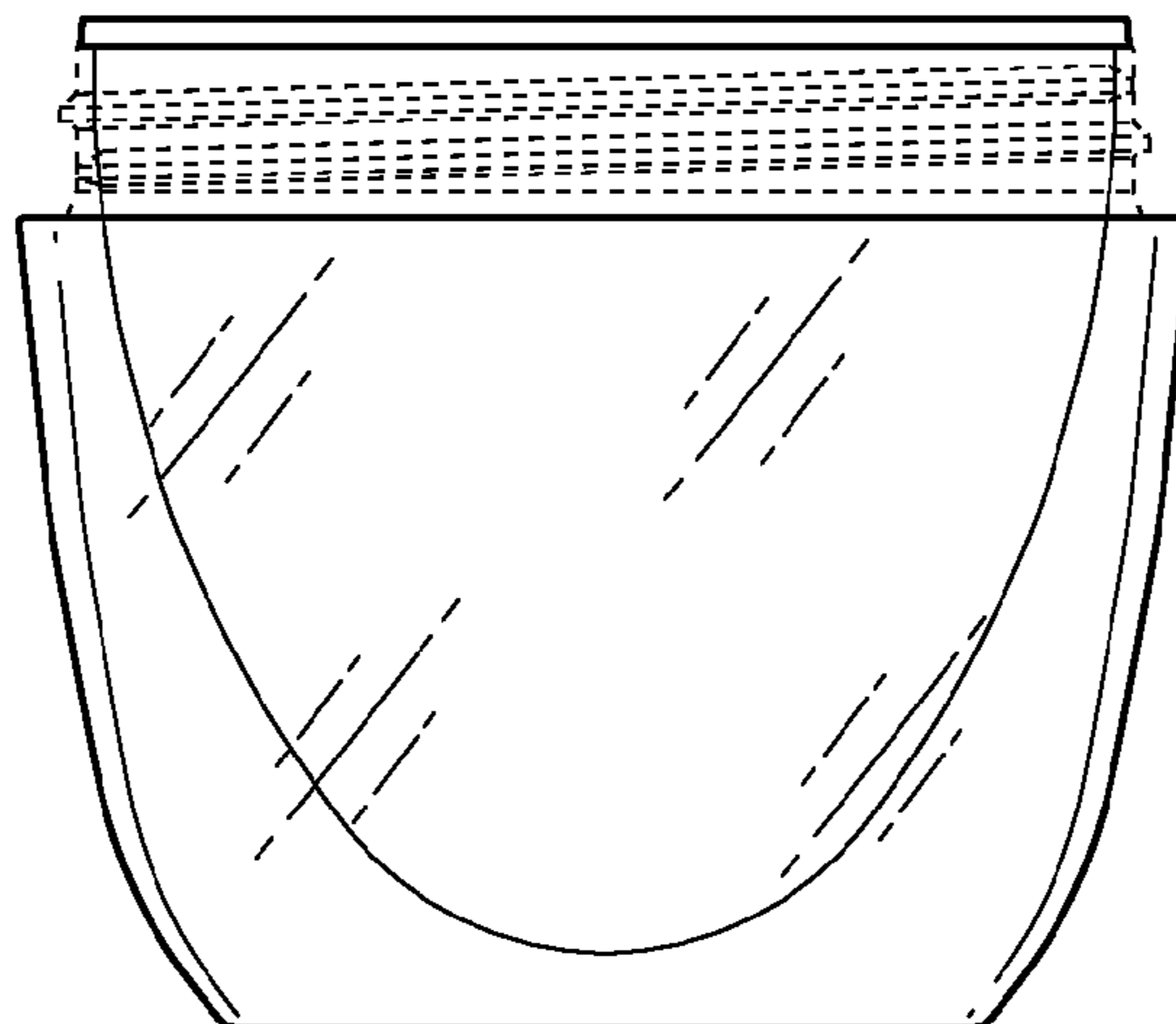
(57) **CLAIM**

The ornamental design for jar, as shown and described.

DESCRIPTION

FIG. 1 is a perspective view of jar, embodying our new design;
FIG. 2 is a front view thereof;
FIG. 3 is a back view thereof;
FIG. 4 is a right side view thereof;
FIG. 5 is a left side view thereof;
FIG. 6 is a top plan view thereof; and,
FIG. 7 is a bottom plan view thereof.
The broken lines shown in the drawings are for illustrative purposes only and form no part of the claimed design.

1 Claim, 4 Drawing Sheets



OTHER PUBLICATIONS

KenzoKi—Cream with a Zing; www.kenzousa.com; print date Nov. 24, 2009; 1 page.

KenzoKi—Creamy Cleansing Cream; www.kenzousa.com; print date Nov. 24, 2009; 1 page.

KenzoKi—Creamy White Day Cream; www.kenzousa.com; print date Nov. 24, 2009; 1 page.

KenzoKi—Energetic Face Mask; www.kenzousa.com; print date Nov. 24, 2009; 1 page.

KenzoKi—Exfoliating Gentle Mask; www.kenzousa.com; print date Nov. 24, 2009; 1 page.

KenzoKi—Face Delight; www.kenzousa.com; print date Nov. 24, 2009; 1 page.

KenzoKi—Face Felicity; www.kenzousa.com; print date Nov. 24, 2009; 1 page.

KenzoKi—Face Phenomenon; www.kenzousa.com; print date Nov. 24, 2009; 1 page.

KenzoKi—Face Recharger; www.kenzousa.com; print date Nov. 24, 2009; 1 page.

KenzoKi—Faceguard Veil; www.kenzousa.com; print date Nov. 24, 2009; 1 page.

KenzoKi—Fresh Lotus Water; www.kenzousa.com; print date Nov. 24, 2009; 1 page.

KenzoKi—Ice Cold Eye Cream; www.kenzousa.com; print date Nov. 24, 2009; 1 page.

KenzoKi—Marshmallow Mask; www.kenzousa.com; print date Nov. 24, 2009; 1 page.

KenzoKi—Relaxing Eye Whipped Cream; www.kenzousa.com; print date Nov. 24, 2009; 1 page.

KenzoKi—Vital Ice-Cream; www.kenzousa.com; print date Nov. 24, 2009; 1 page.

USPTO Office Action rejections/objections from co-pending U.S. Appl. No. 29/308,556, filed Jun. 20, 2008; Inventor: Stacy Alycia Thomas, et al., mail date Jul. 21, 2009; 7 pages.

USPTO Office Action rejections/objections from co-pending U.S. Appl. No. 29/313,245, filed Dec. 18, 2008; Inventor: Stacy Alycia Thomas, et al., mail date Jul. 24, 2009; 7 pages.

* cited by examiner

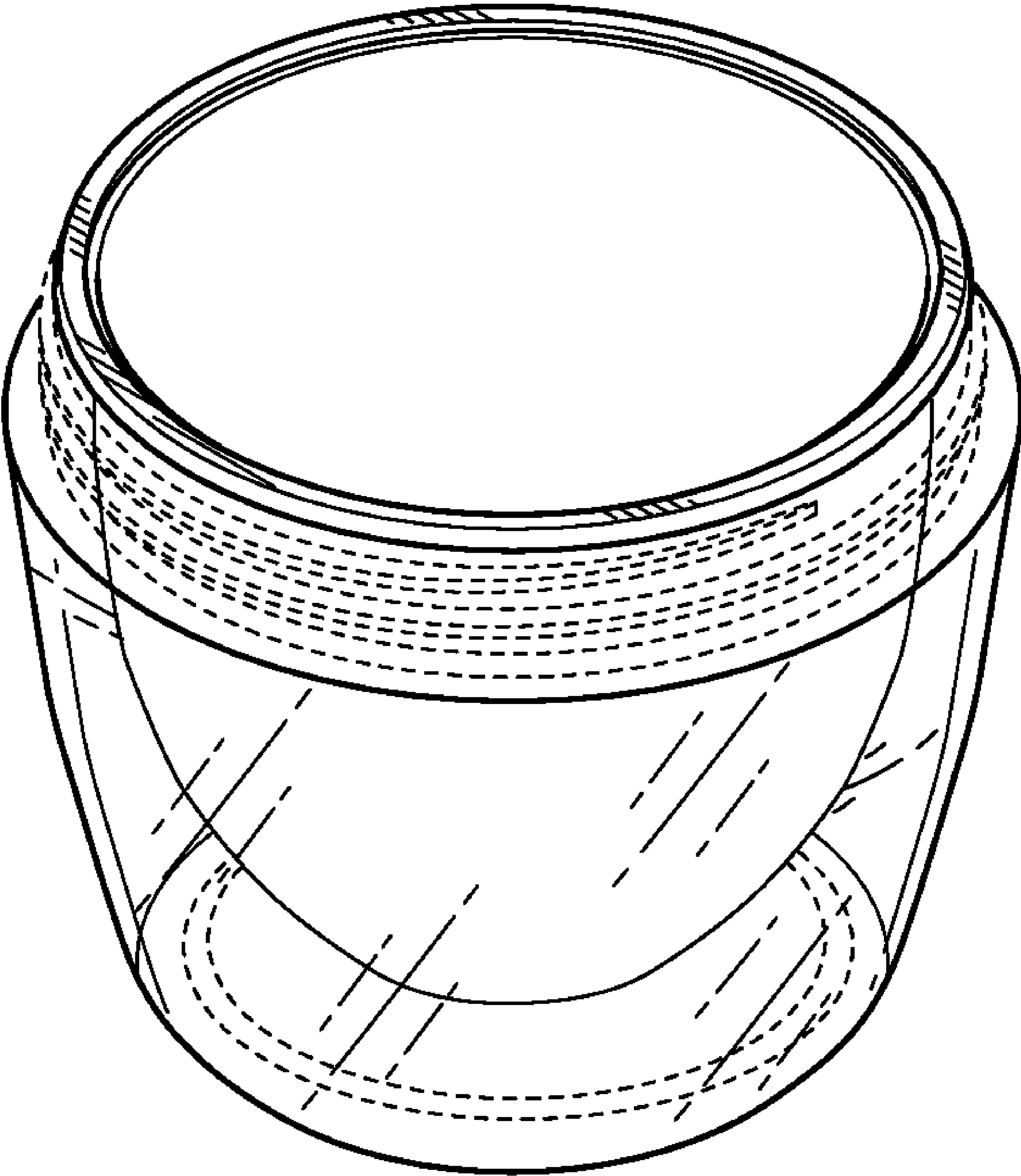


Fig. 1

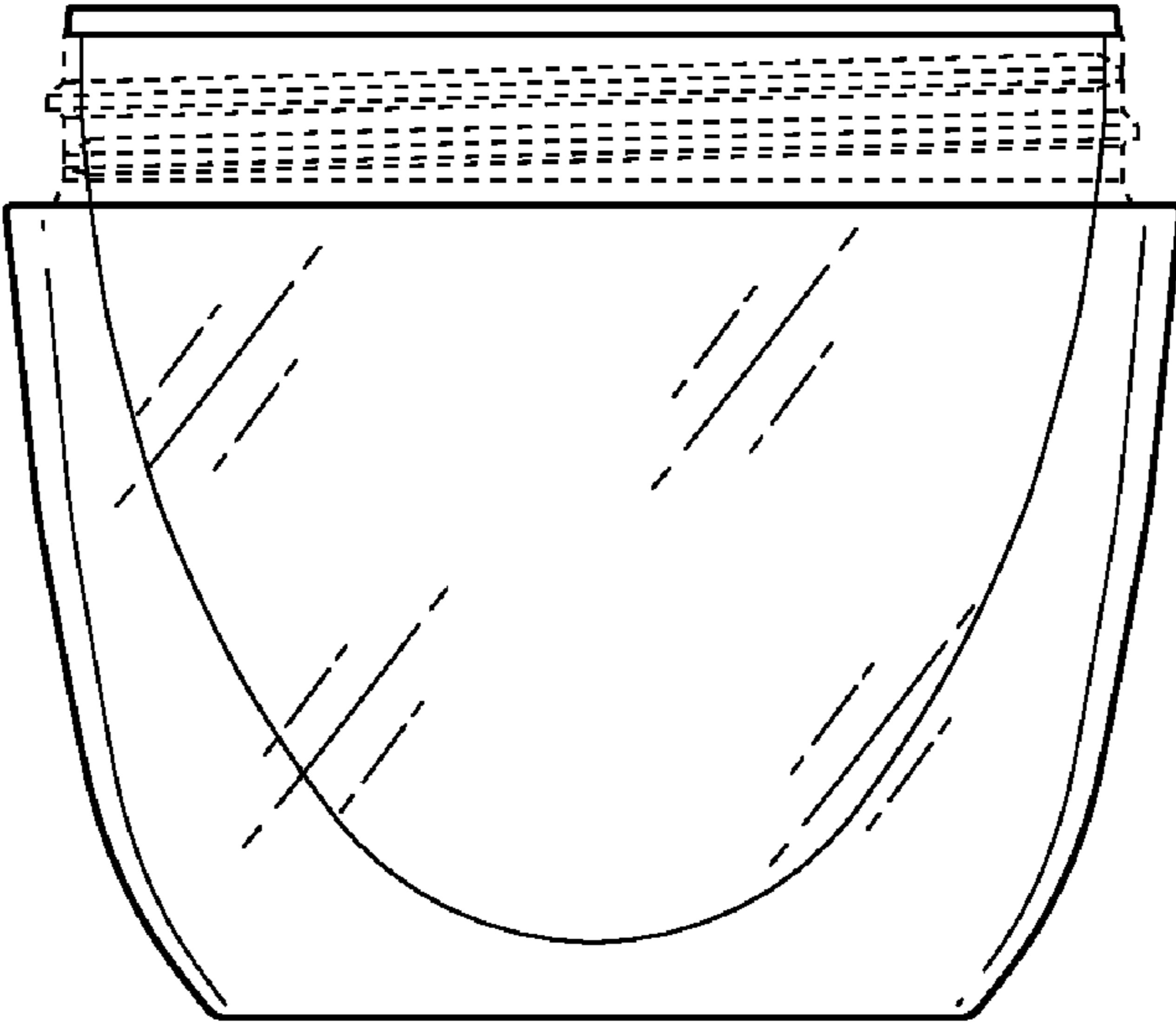


Fig. 2

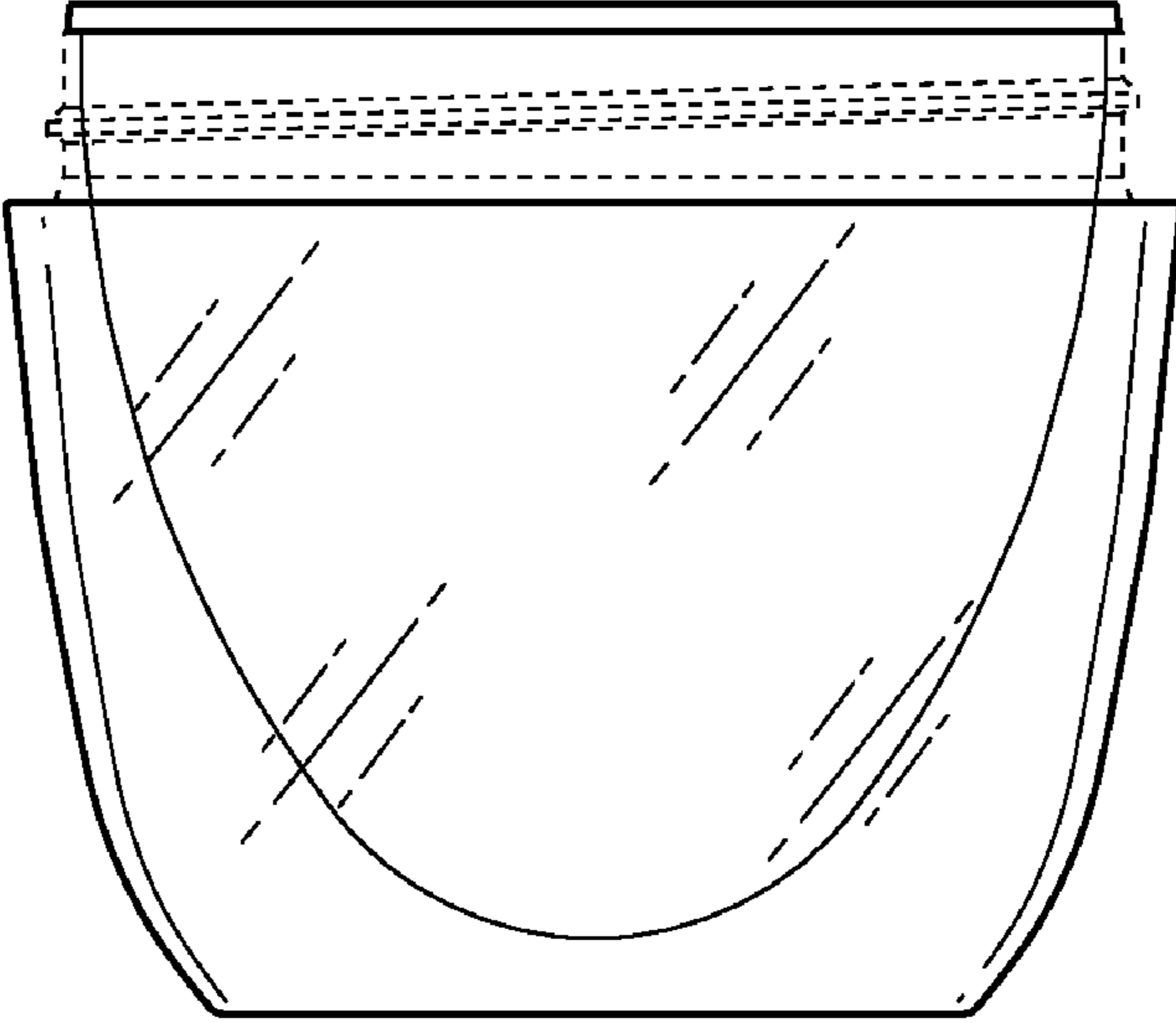


Fig. 3

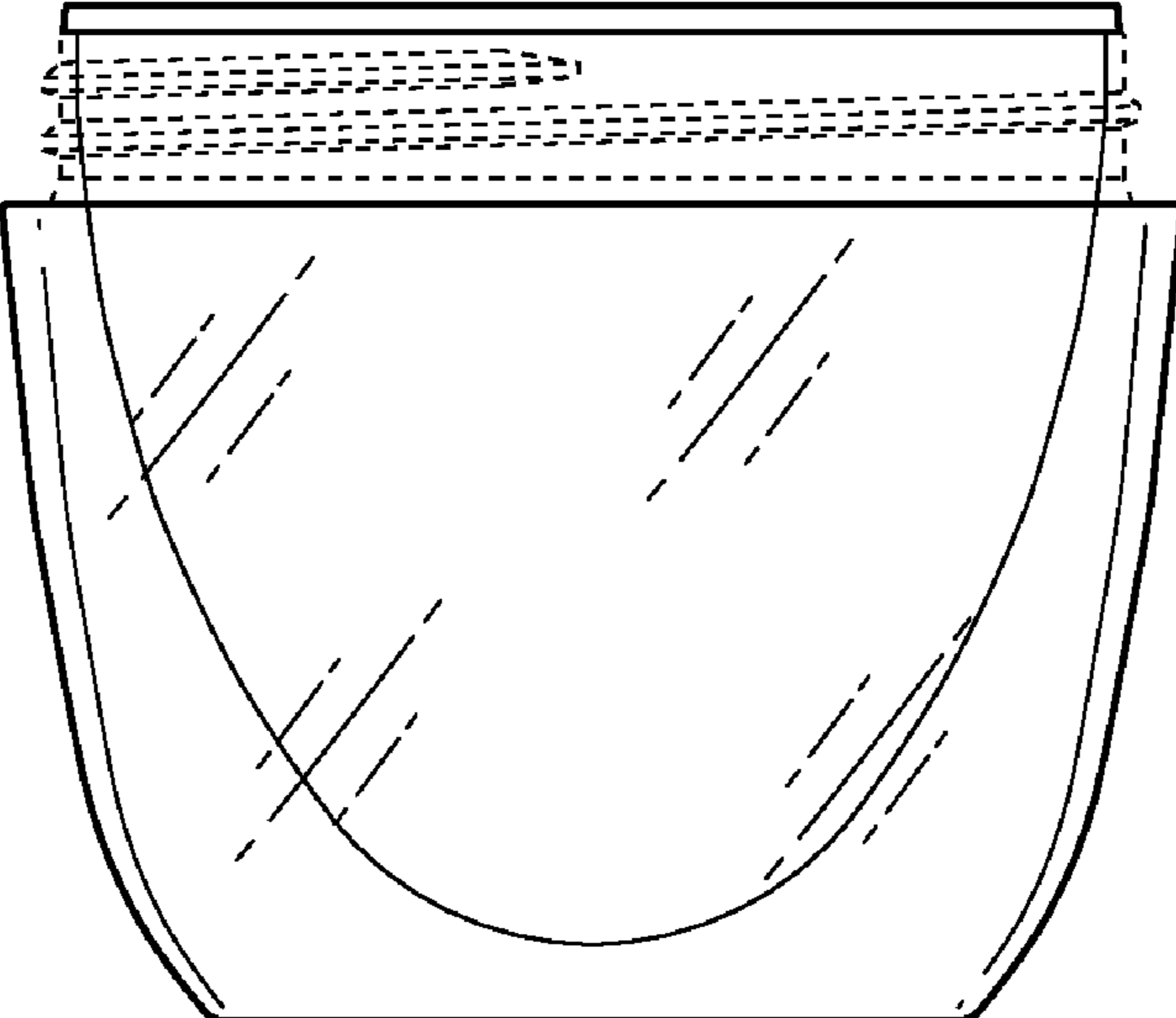


Fig. 4

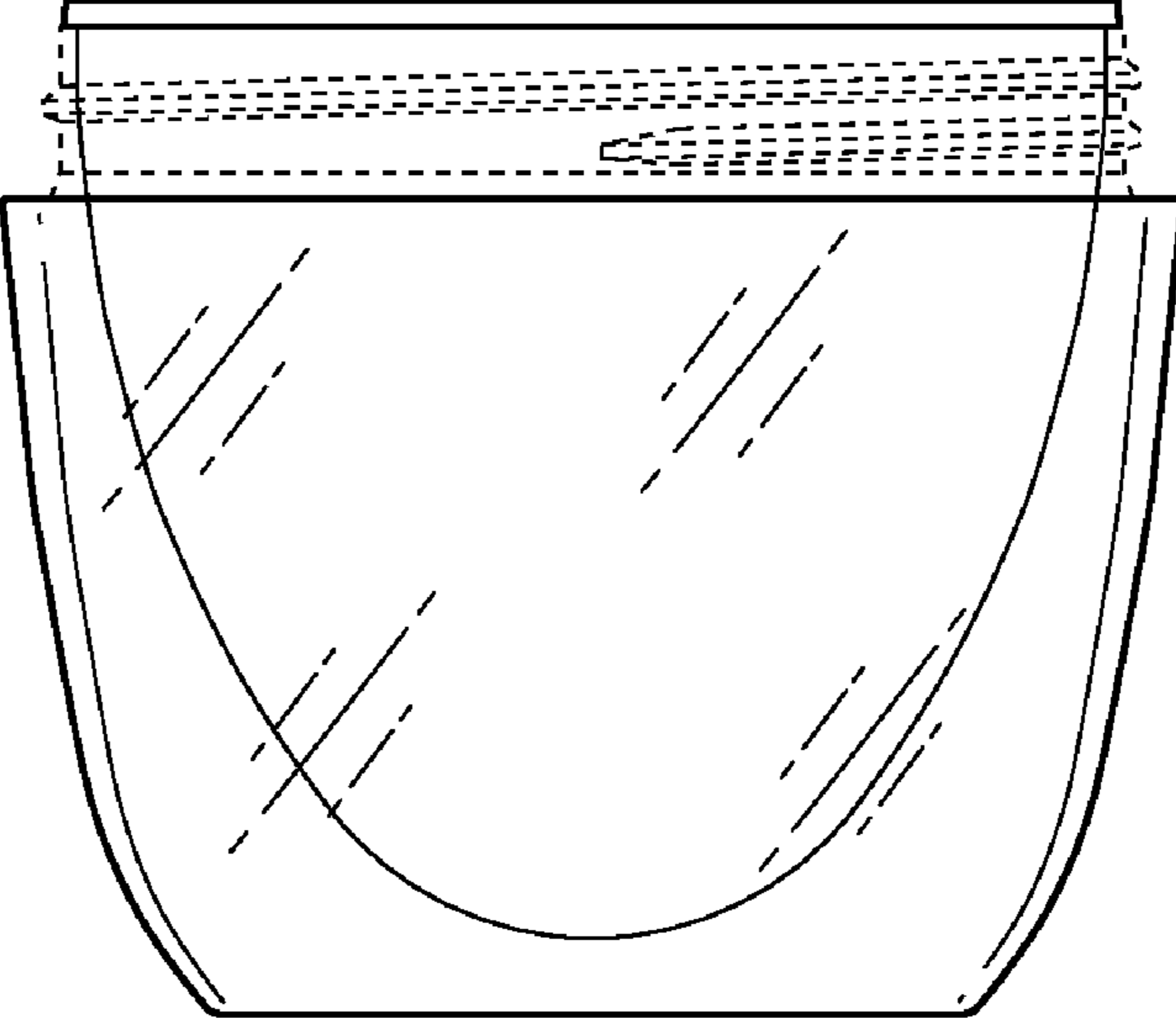


Fig. 5

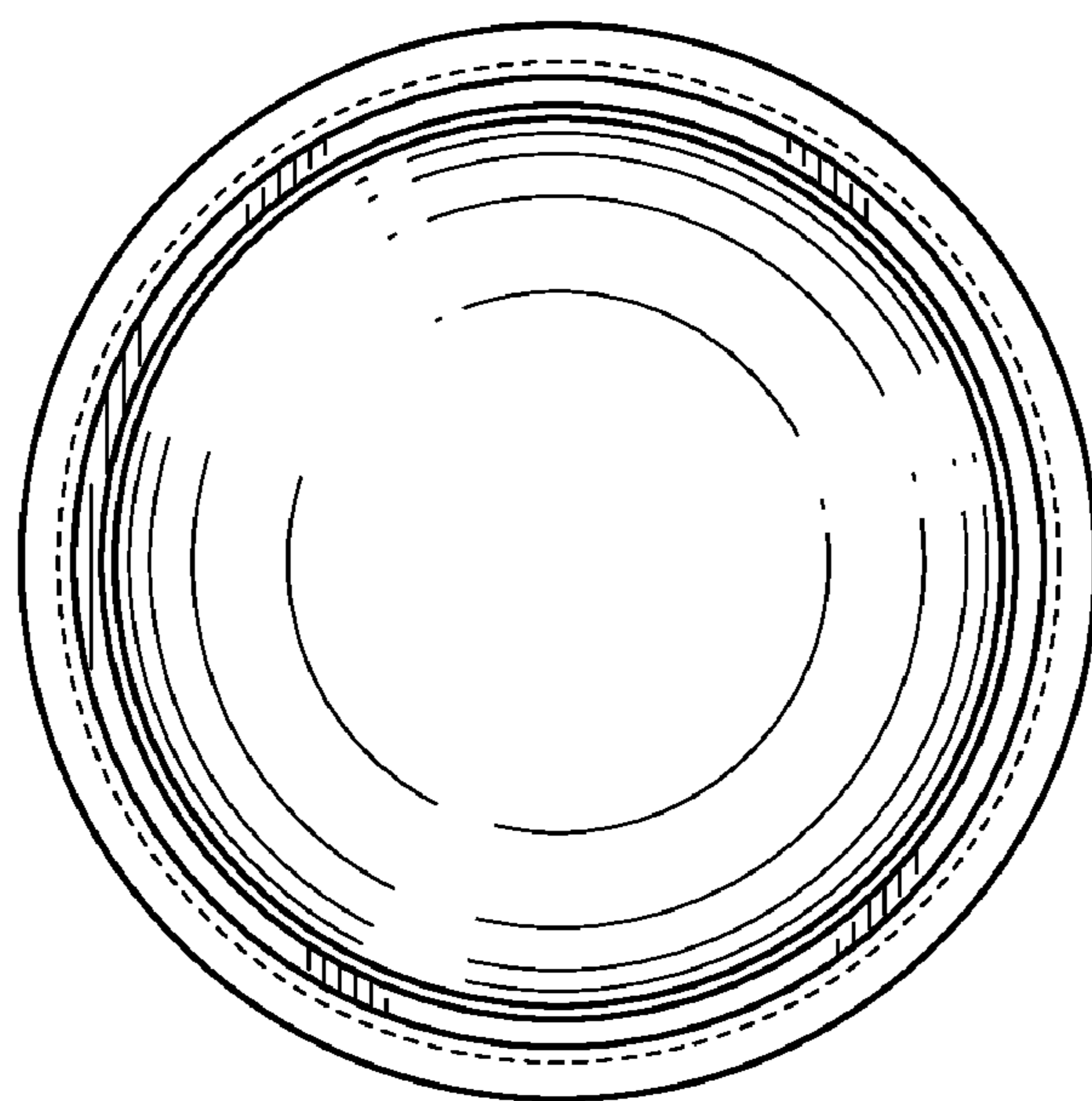


Fig. 6

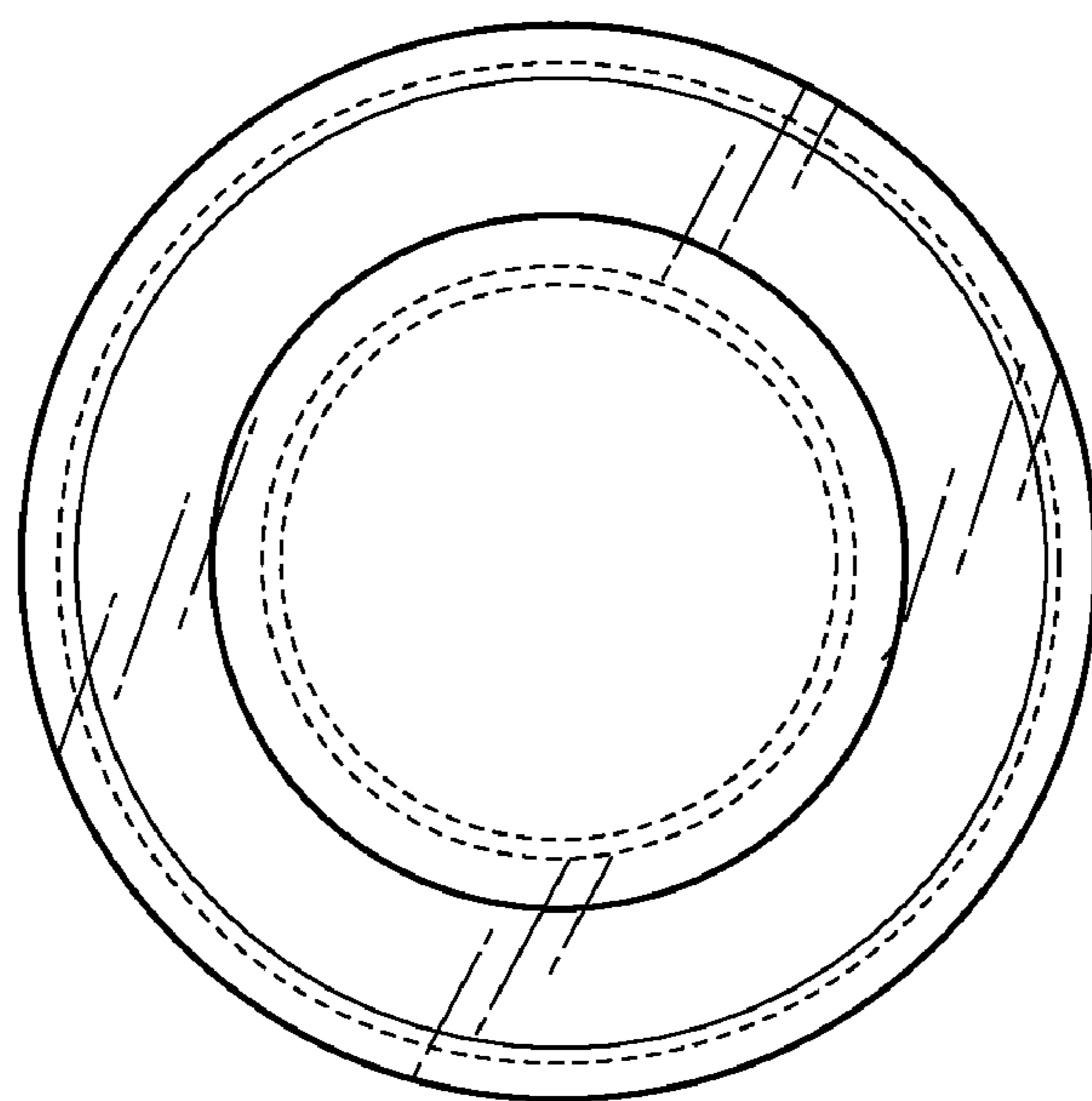


Fig. 7