

US00D621706S

(12) **United States Design Patent**  
**Breckan**

(10) **Patent No.:** **US D621,706 S**

(45) **Date of Patent:** **\*\* Aug. 17, 2010**

(54) **BOTTLE CAP**

(75) Inventor: **Kyle Breckan**, Tower Lakes, IL (US)

(73) Assignees: **Intermarket Enterprises, Inc.**, Park Ridge, IL (US); **HTA International LLC**, Milwaukee, WI (US)

(\*\*) Term: **14 Years**

(21) Appl. No.: **29/348,295**

(22) Filed: **Dec. 18, 2009**

(51) **LOC (9) Cl.** ..... **09-07**

(52) **U.S. Cl.** ..... **D9/443**

(58) **Field of Classification Search** ..... D9/631,  
D9/456, 453, 451, 450, 449, 448, 447, 443,  
D9/436, 435; D7/511, 396.2, 394, 393, 392.1,  
D7/314, 305; 222/83, 81, 556, 533, 530,  
222/519, 205, 192, 158, 153.07; 220/212.5,  
220/200; 215/306, 305, 228, 200; 206/541,  
206/222, 221, 220, 219, 216

See application file for complete search history.

(56) **References Cited**

**U.S. PATENT DOCUMENTS**

D138,952 S *	9/1944	Sapery .....	D9/453
3,567,058 A *	3/1971	Mascia .....	215/213
4,469,235 A	9/1984	Parker	
D276,598 S	12/1984	Bagwell	
4,731,512 A	3/1988	Barriac	
D296,525 S *	7/1988	Siegel .....	D9/443
4,892,209 A	1/1990	Dorfman et al.	
5,184,740 A	2/1993	Mandrell, II et al.	
5,265,747 A	11/1993	Gregory et al.	
5,275,287 A	1/1994	Thompson	
D351,793 S	10/1994	Stoller	
5,356,021 A	10/1994	McBride et al.	
5,381,912 A	1/1995	Walker et al.	
D358,329 S	5/1995	Dickie	
5,431,305 A	7/1995	Kaminski	
5,439,126 A	8/1995	Brownbill	
D367,613 S	3/1996	Weiler	
D371,485 S *	7/1996	Hickey .....	D7/392.1

5,650,113 A	7/1997	Gregory et al.	
5,704,502 A	1/1998	Greenfield	
5,752,604 A *	5/1998	Hayman .....	206/534
5,803,287 A	9/1998	Kusz	
5,871,111 A	2/1999	Pfefferkorn et al.	
5,875,909 A	3/1999	Guglielmini	
5,941,404 A	8/1999	Charrette	
6,006,930 A	12/1999	Dreyer et al.	
D422,217 S	4/2000	Gundlach et al.	
D436,864 S	1/2001	Slater	
6,234,338 B1	5/2001	Searle	
6,253,942 B1 *	7/2001	Elias .....	215/305

(Continued)

**FOREIGN PATENT DOCUMENTS**

JP 2001-171702 6/2001

*Primary Examiner*—Susan Bennett Hattan  
(74) *Attorney, Agent, or Firm*—Ryan Kromholz & Manion, S.C.

(57) **CLAIM**

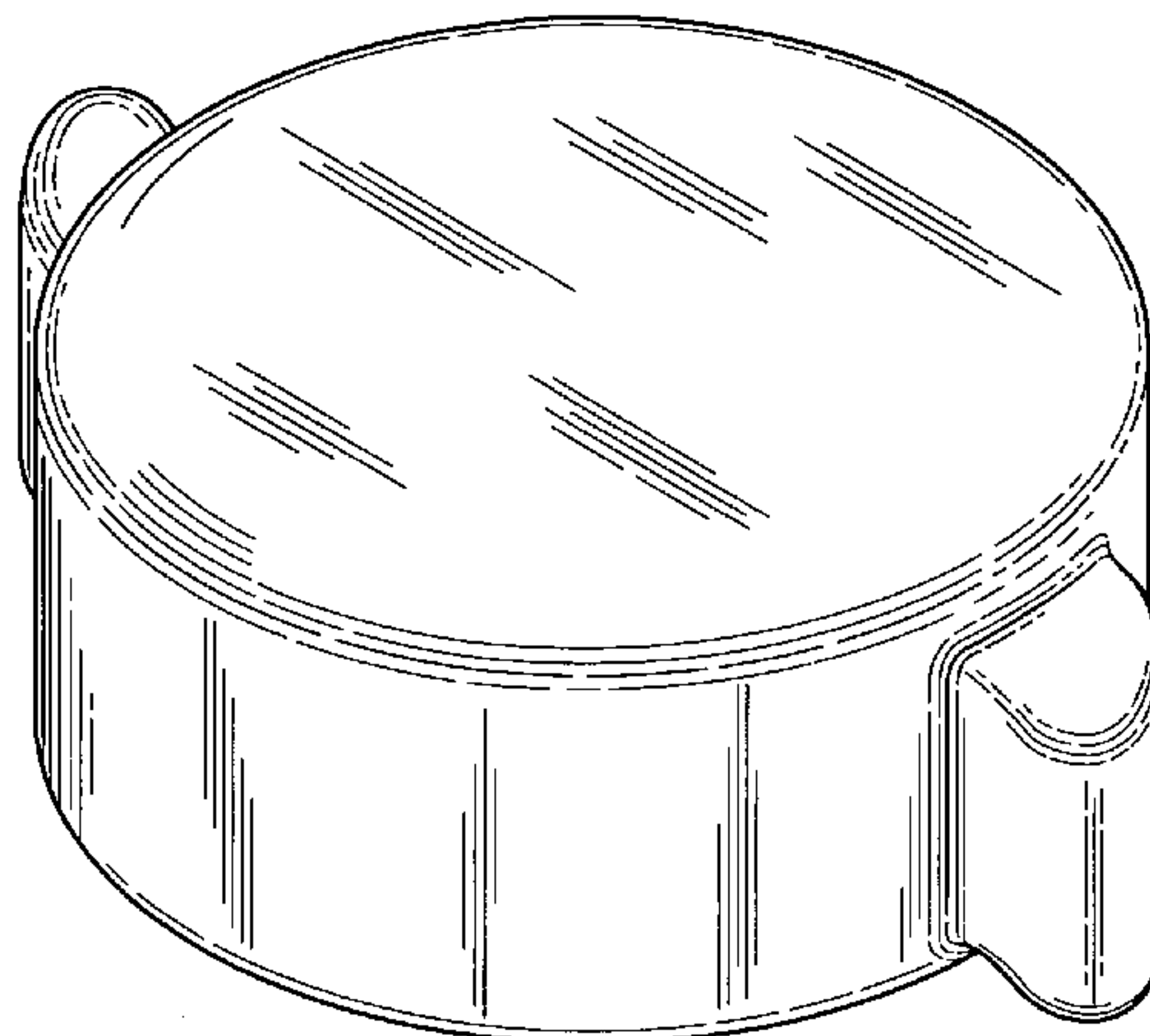
The ornamental design for a bottle cap, as shown and described.

**DESCRIPTION**

FIG. 1 is a top perspective view;  
FIG. 2 is a bottom perspective view;  
FIG. 3 is a front elevation view; the rear elevation view being a mirror image thereof;  
FIG. 4 is a left side elevation view, the right side elevation view being a mirror image thereof;  
FIG. 5 is a top plan view; and,  
FIG. 6 is a bottom plan view.

The broken line showing of internal threads in FIGS. 2 and 6 is included for the purpose of illustrating environmental structure and forms no part of the claimed design.

**1 Claim, 3 Drawing Sheets**



# US D621,706 S

Page 2

---

U.S. PATENT DOCUMENTS					
			D522,358 S	6/2006	Peterson et al.
			7,055,710 B2	6/2006	King
6,312,776 B1	11/2001	Finkelstein et al.	D551,971 S *	10/2007	Hardwick ..... D9/443
6,328,174 B1	12/2001	Marangoni Graziani et al.	D579,332 S	10/2008	Krivoshein
D467,803 S	12/2002	Brown et al.	D610,006 S *	2/2010	Ortell ..... D9/454
D472,145 S *	3/2003	Nottingham et al. .... D9/443	2002/0162818 A1	11/2002	Williams
6,640,988 B2	11/2003	Taha	2004/0011759 A1	1/2004	Hahn et al.
6,648,161 B2	11/2003	Vick	2004/0074861 A1	4/2004	Chuang et al.
D491,063 S	6/2004	Hicks et al.	2004/0200797 A1	10/2004	Hicks et al.
6,913,158 B1	7/2005	Bosl et al.	2005/0218015 A1	10/2005	Spector
6,962,254 B2	11/2005	Spector	2006/0000792 A1	1/2006	Hennebelle
D512,912 S	12/2005	Biesecker et al.	2006/0289569 A1	12/2006	Prozumenshchikov
6,981,601 B2	1/2006	Laveault et al.	2007/0023300 A1	2/2007	Spector et al.
D519,843 S	5/2006	Forte	2007/0045219 A1	3/2007	Nasiatka
D521,871 S	5/2006	Forte			

\* cited by examiner

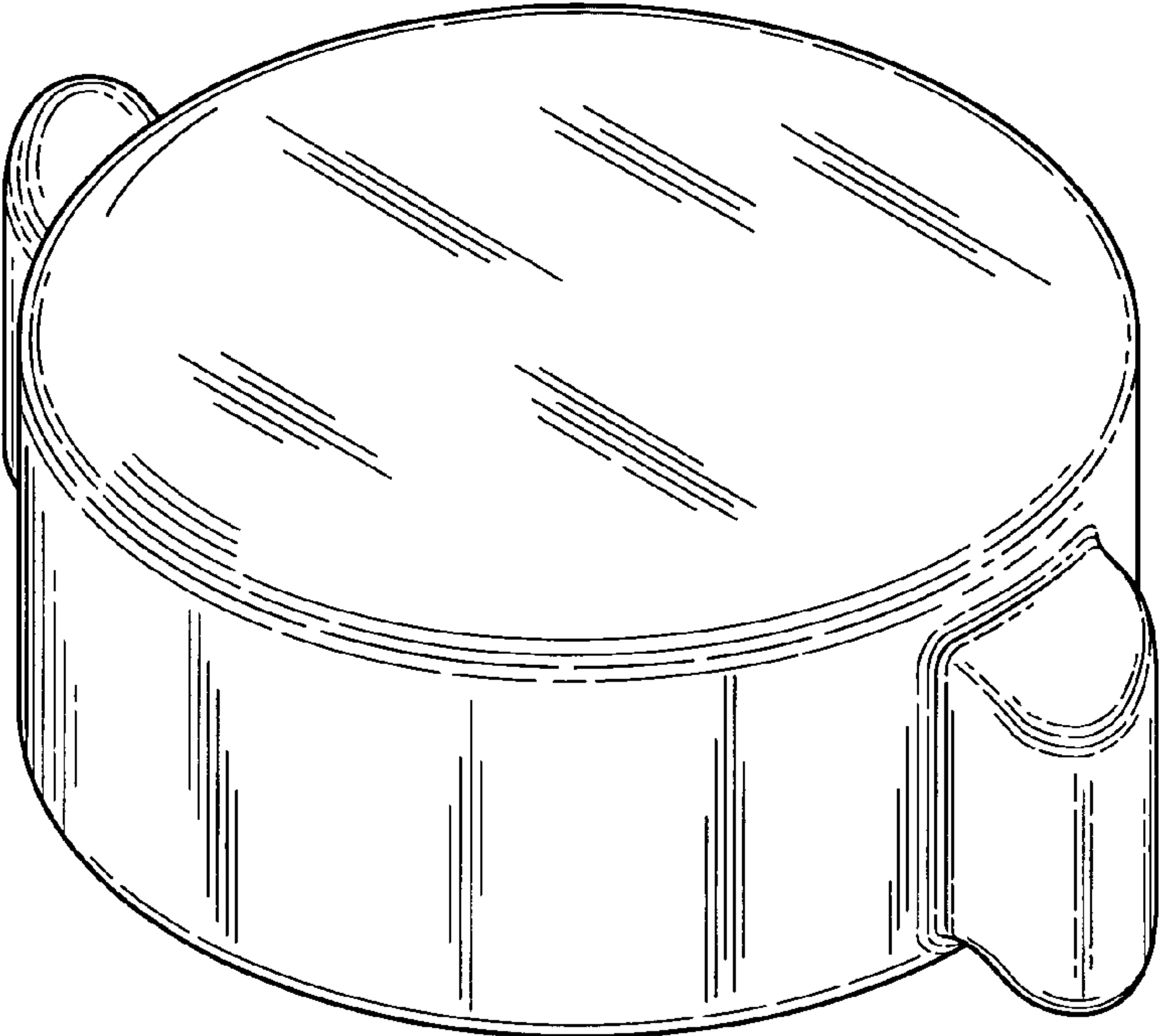


Fig. 1

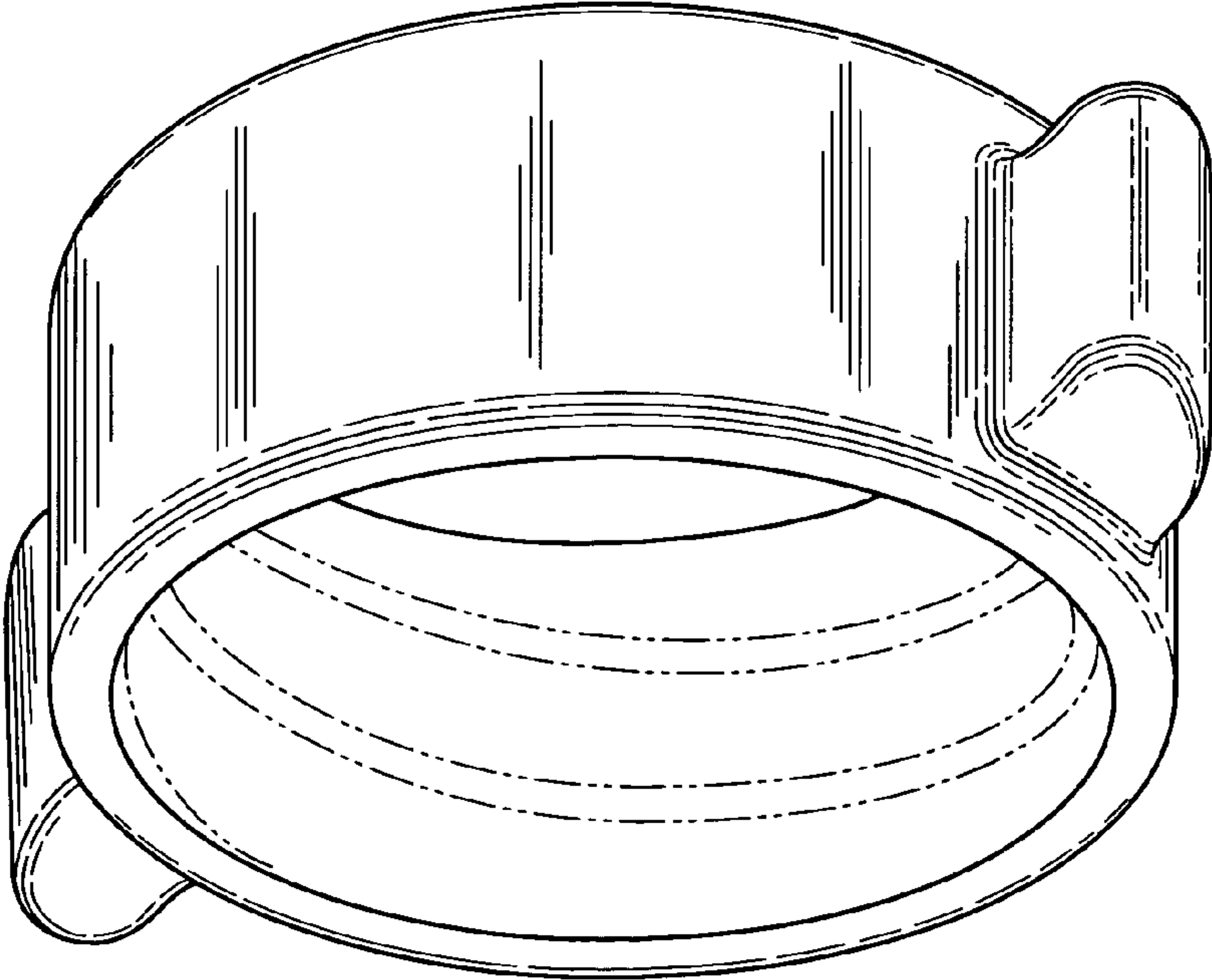
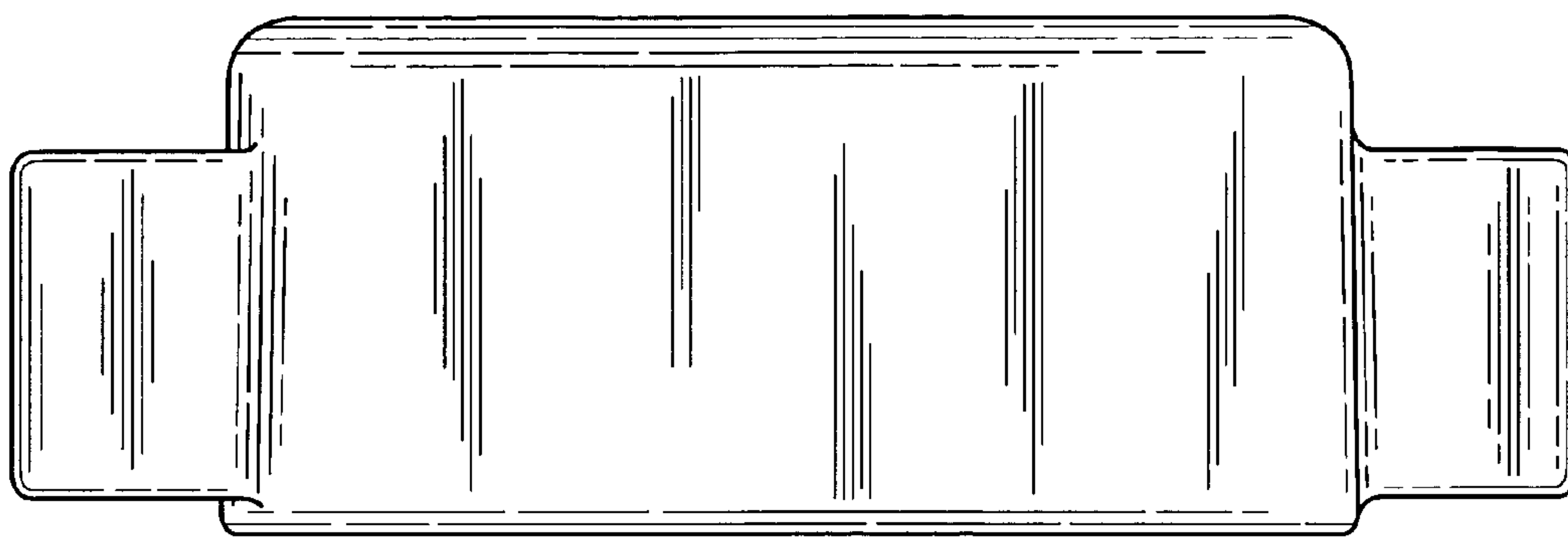
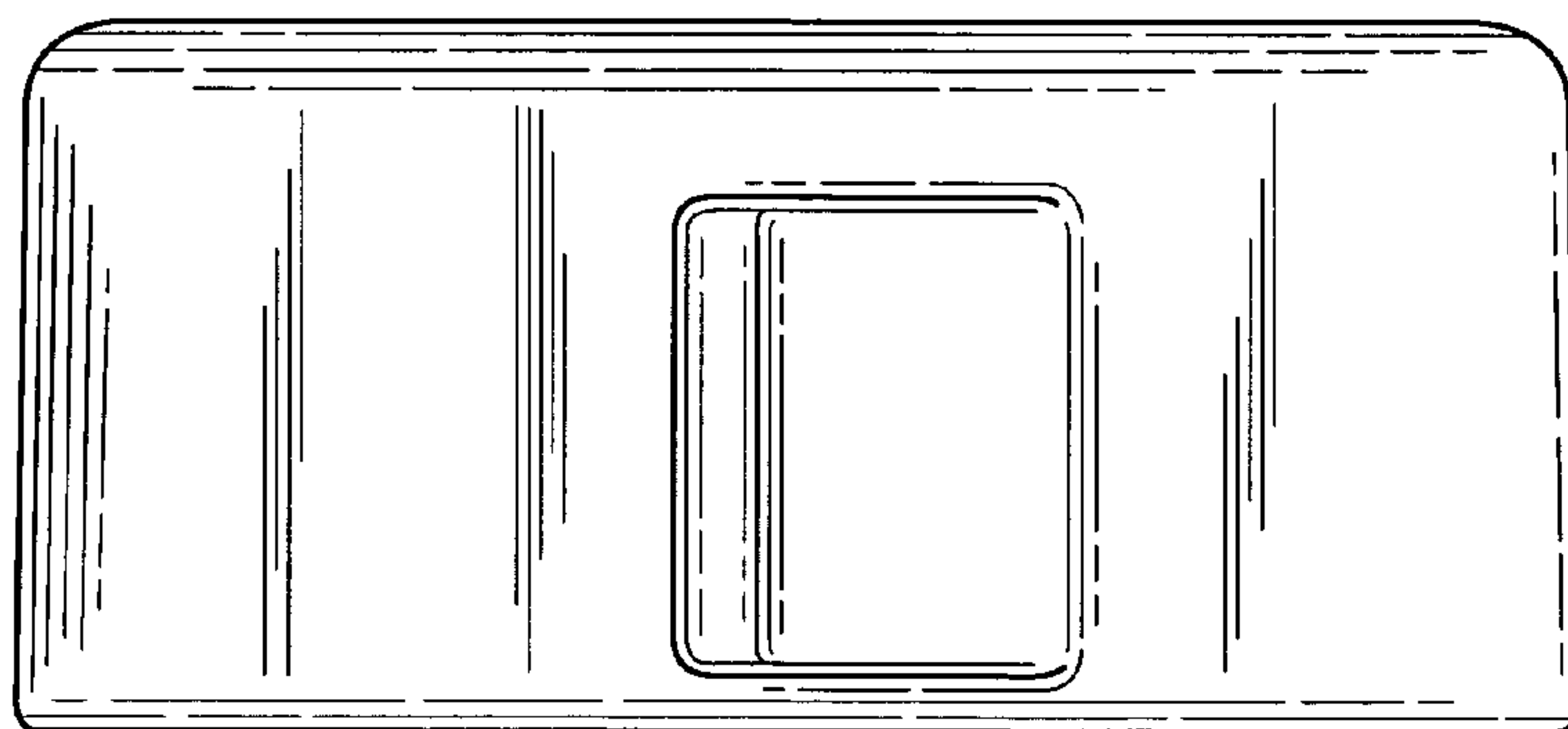


Fig. 2



*Fig. 3*



*Fig. 4*

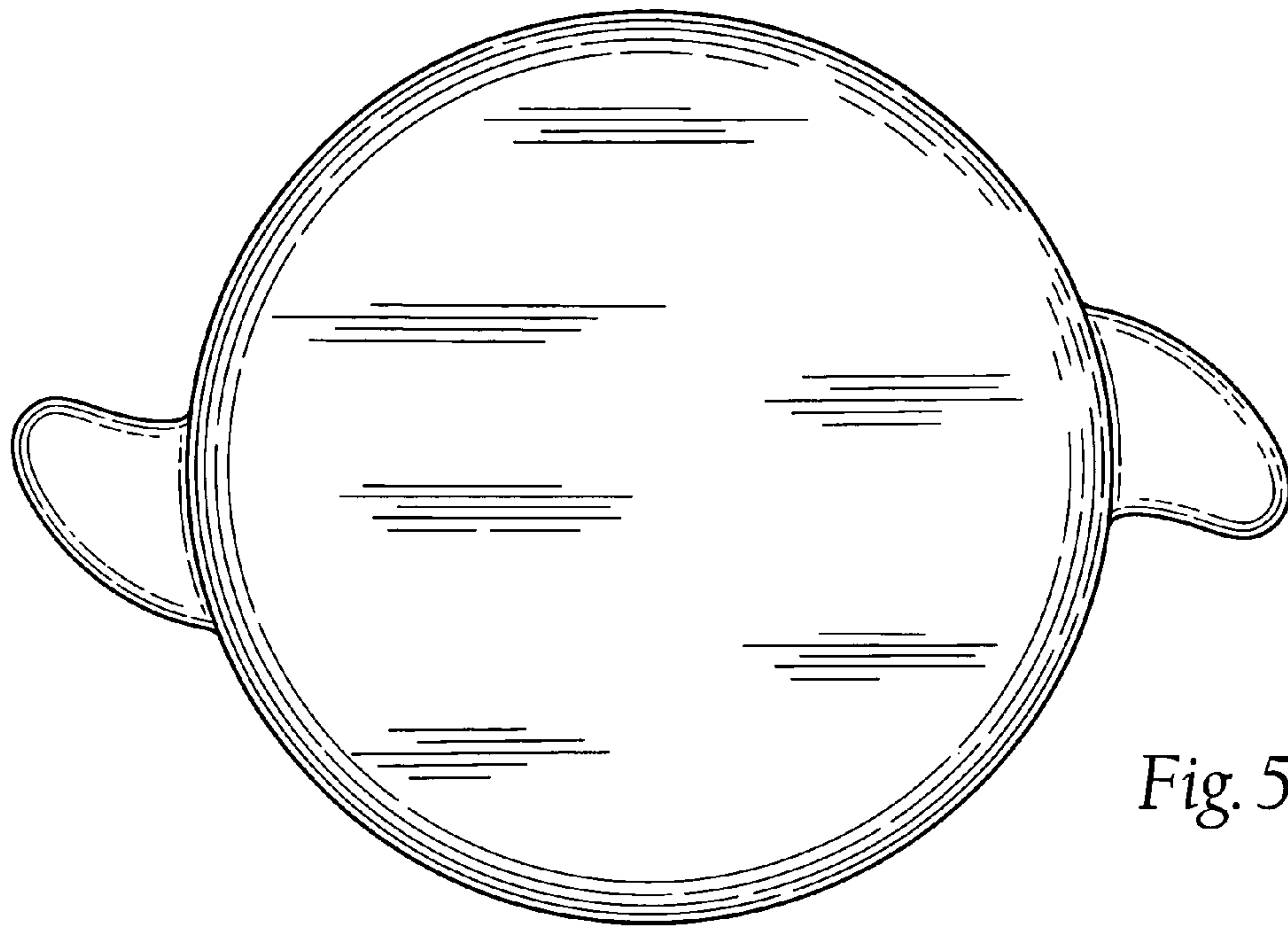


Fig. 5

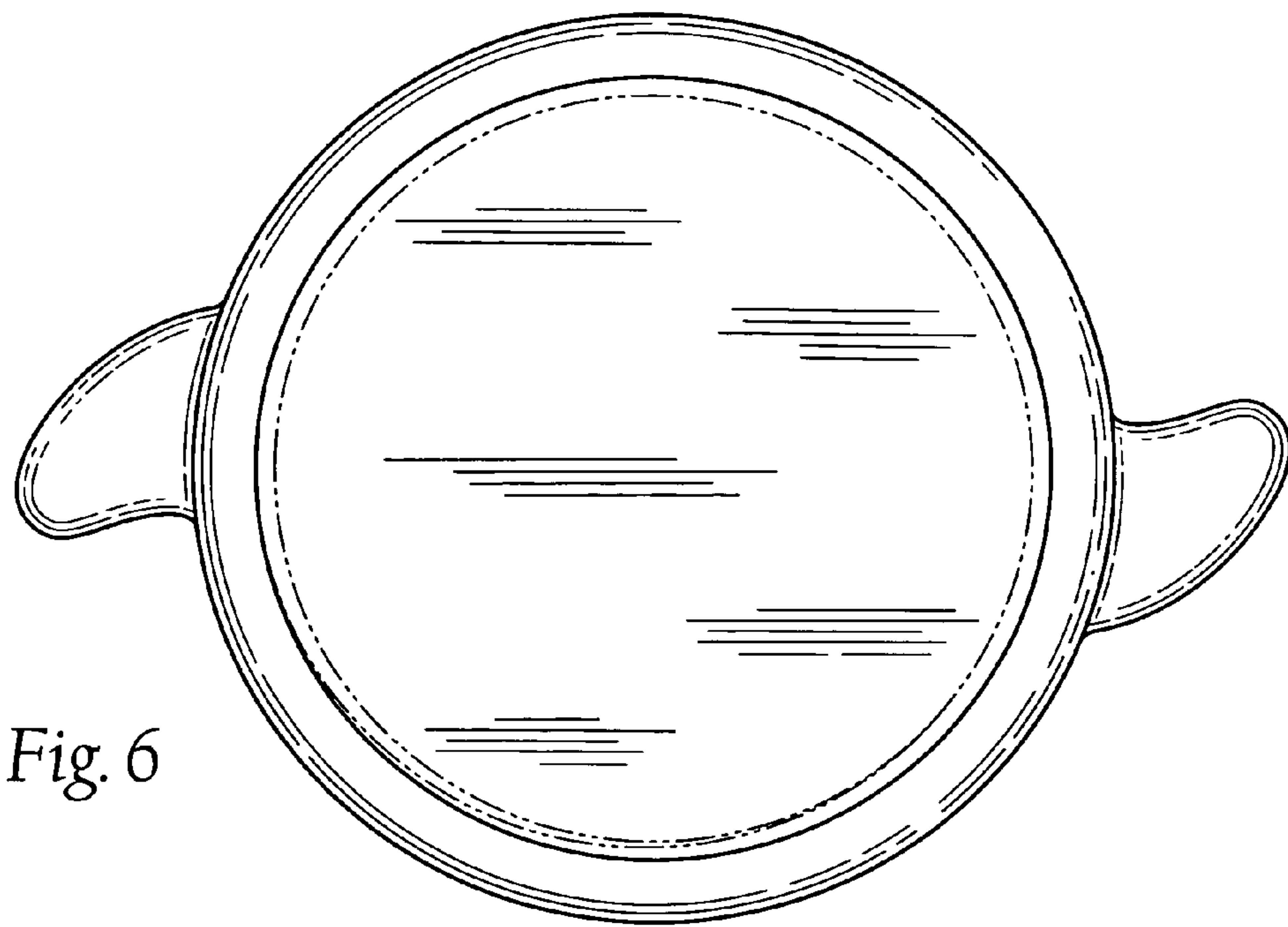


Fig. 6