



US00D621703S

(12) **United States Design Patent**
Hageman

(10) **Patent No.:** **US D621,703 S**
(45) **Date of Patent:** **** Aug. 17, 2010**

(54) **FRAMED BOXED CARD PACKAGE**

(75) Inventor: **Joel T. Hageman**, Lakewood, OH (US)

(73) Assignee: **American Greetings Corporation**,
Cleveland, OH (US)

(**) Term: **14 Years**

(21) Appl. No.: **29/329,699**

(22) Filed: **Dec. 19, 2008**

Related U.S. Application Data

(63) Continuation-in-part of application No. 29/320,167,
filed on Jun. 23, 2008.

(51) **LOC (9) Cl.** **09-03**

(52) **U.S. Cl.** **D9/432**

(58) **Field of Classification Search** D9/430-433,
D9/414, 418, 420-423; D3/272; 206/278,
206/297, 299, 457, 770, 737, 822; 229/100,
229/101, 101.3, 106, 108, 108.1, 116.1, 116.3,
229/116.5, 121, 122, 201, 213, 221, 222,
229/227, 922, 939, 942

See application file for complete search history.

(56) **References Cited**

U.S. PATENT DOCUMENTS

868,627	A *	10/1907	Fairchild	40/786
1,331,009	A *	2/1920	Ford	40/788
2,132,957	A *	10/1938	Mahone	229/125.125
2,283,950	A *	5/1942	Ringler	229/170
2,321,145	A *	6/1943	Jones	229/160
2,430,609	A *	11/1947	Guyer	229/122.29
2,714,344	A *	8/1955	Baker	493/168
2,714,483	A *	8/1955	Randles	229/161
2,893,622	A *	7/1959	Fogel	229/162.1
2,912,154	A *	11/1959	Doran	229/161
3,335,936	A *	8/1967	Cohen et al.	229/167
3,371,843	A *	3/1968	Hainey	229/167
3,401,865	A *	9/1968	Holstrom	229/159

3,905,543	A *	9/1975	Randles	229/161
3,952,872	A	4/1976	Consiglio, Jr.	
3,981,431	A *	9/1976	Matsuyama	229/145
4,209,093	A	6/1980	Soderland	
5,263,576	A	11/1993	Boreen et al.	
5,282,537	A	2/1994	Wong	
D372,670	S *	8/1996	Healey	D9/422
6,845,903	B2 *	1/2005	Yang	229/167
D512,456	S	12/2005	Diaz et al.	
2006/0202007	A1 *	9/2006	Cohen	229/125.19

FOREIGN PATENT DOCUMENTS

FI 19750078 * 3/1977

* cited by examiner

Primary Examiner—Robert M Spear

Assistant Examiner—Karen Acker

(74) *Attorney, Agent, or Firm*—James C. Scott; Roetzel & Andress

(57) **CLAIM**

The ornamental designs for a framed boxed card package, as shown and described.

DESCRIPTION

FIG. 1 is a perspective view of a first embodiment of the framed boxed card package;

FIG. 2 is a plan view thereof;

FIG. 3 is a plan view thereof;

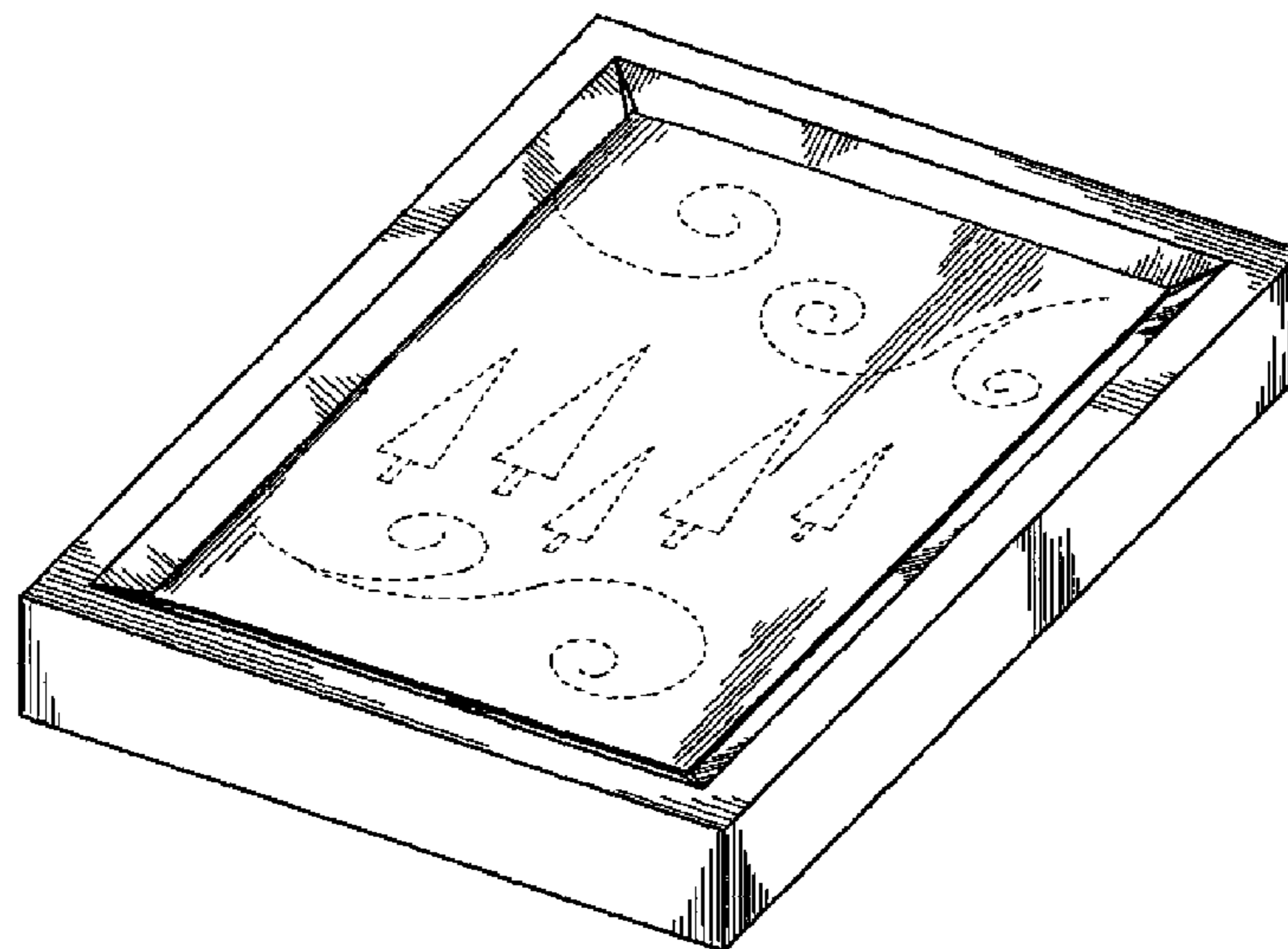
FIG. 4 is a right side elevation view thereof, identical to the left side elevation; and,

FIG. 5 is an end elevation view thereof, identical to the opposite end elevation.

The broken lines in the drawings represent unclaimed environmental subject matter.

The dotted lines in FIGS. 1 and 2 form no part of the claimed design.

1 Claim, 2 Drawing Sheets



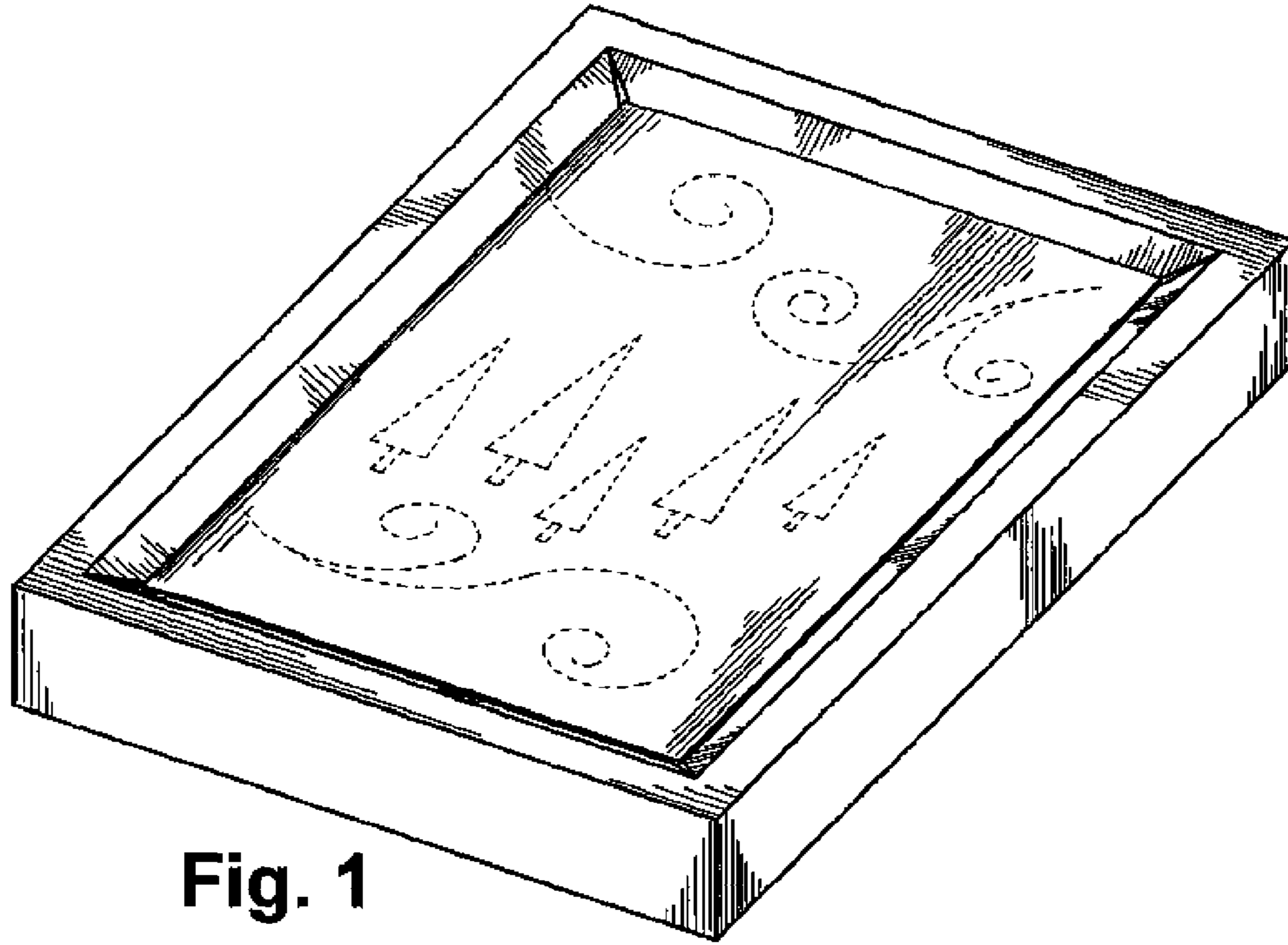


Fig. 1

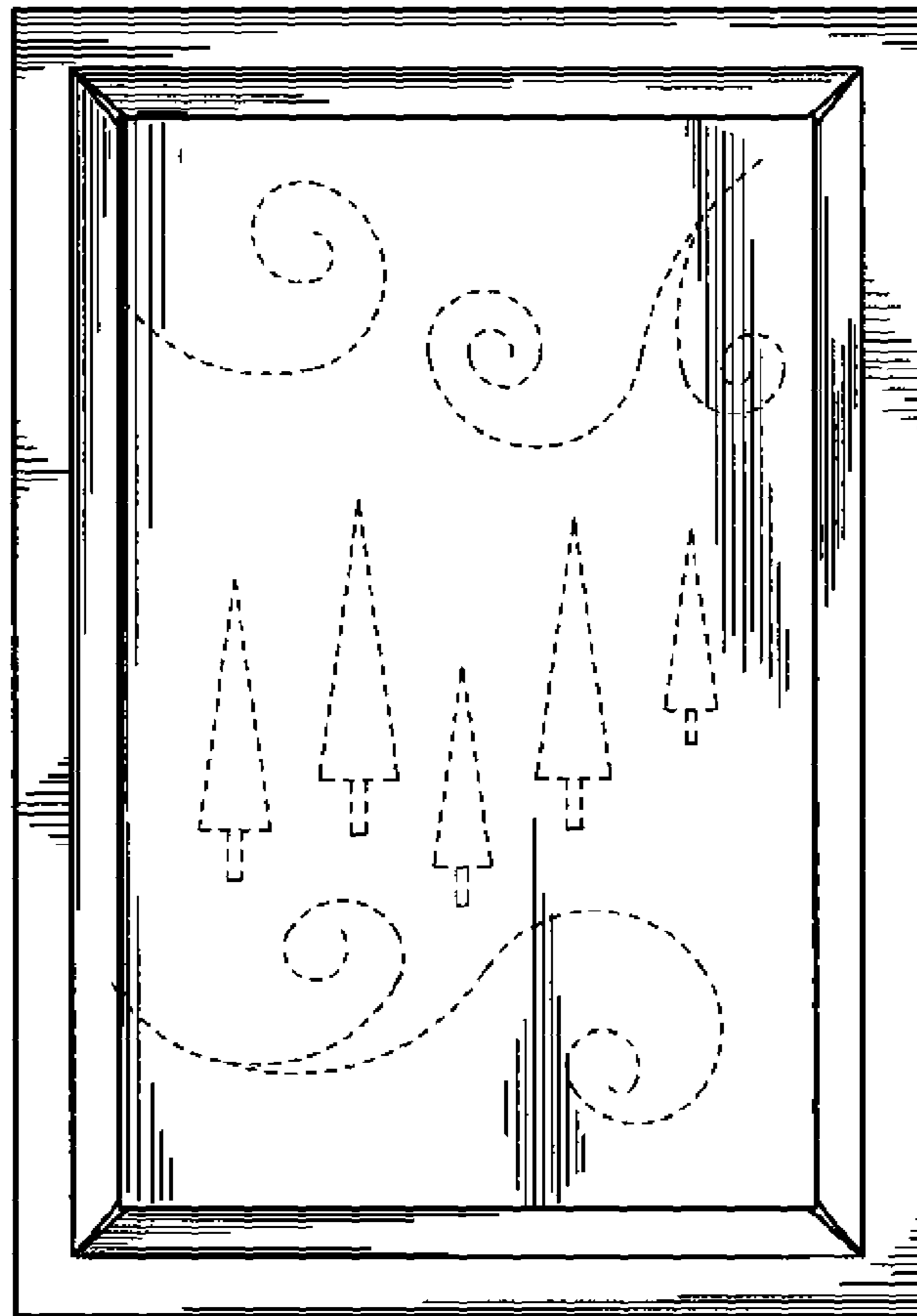


Fig. 2

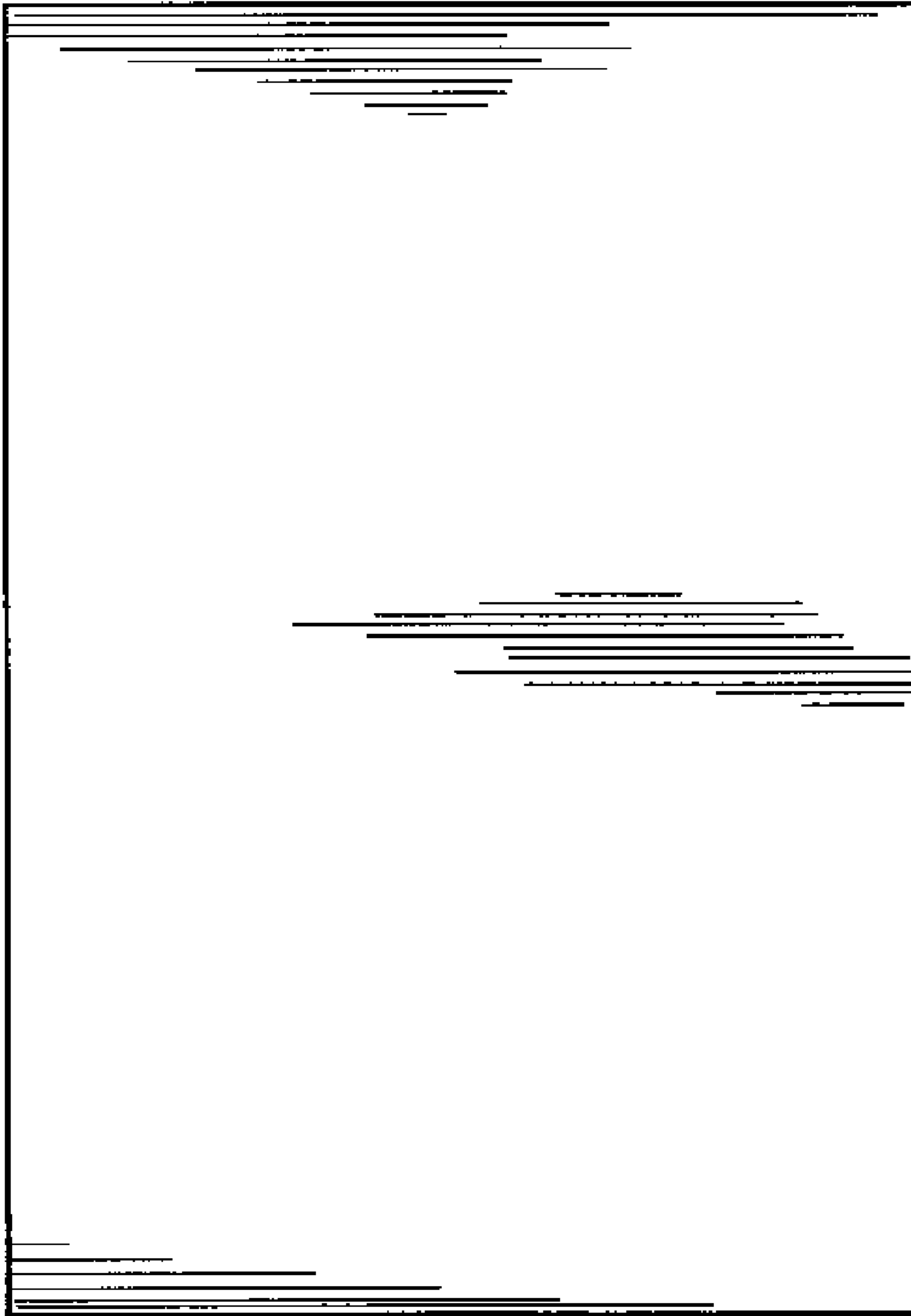


Fig. 3

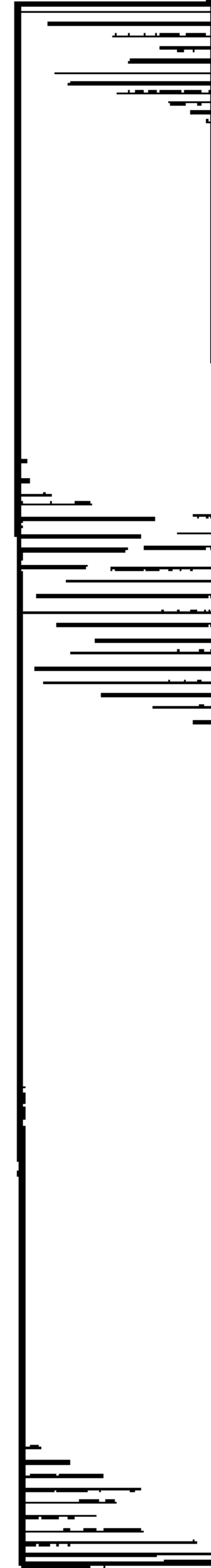


Fig. 4

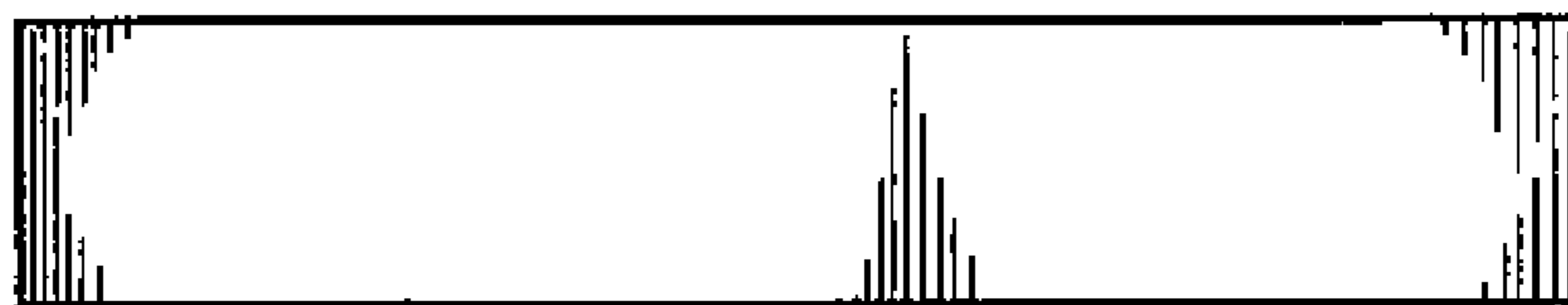


Fig. 5