



US00D621702S

(12) **United States Design Patent**  
**Tekulve et al.**

(10) **Patent No.:** **US D621,702 S**  
(45) **Date of Patent:** **\*\* Aug. 17, 2010**

(54) **PACKAGING CONTAINER WITH SURFACE ORNAMENTATION**

(75) Inventors: **Thomas John Tekulve**, Independence, KY (US); **Jennifer Frankovich Rippe**, Cincinnati, OH (US); **Molly A. Hablutzel**, Burlington, KY (US); **John Stephen Eadicicco**, West Chester, OH (US)

(73) Assignee: **The Procter & Gamble Company**, Cincinnati, OH (US)

(\*\*) Term: **14 Years**

(21) Appl. No.: **29/325,365**

(22) Filed: **Sep. 30, 2008**

(51) **LOC (9) Cl.** ..... **09-03**

(52) **U.S. Cl.** ..... **D9/432**

(58) **Field of Classification Search** ..... D9/430-433, D9/414, 418, 420-423; D3/272; 206/278, 206/297, 299, 457, 770, 737, 822; 229/100, 229/101, 101.3, 106, 108, 108.1, 116.1, 116.3, 229/116.5, 121, 122, 201, 213, 221, 222, 229/227, 922, 939, 942, 87.08, 101.2, 193, 229/195, 197; D5/32

See application file for complete search history.

(56) **References Cited**

**U.S. PATENT DOCUMENTS**

D91,490	S	*	2/1934	Lewy	.....	D20/33
D132,820	S	*	6/1942	Wolteger et al.	.....	D9/423
D156,338	S	*	12/1949	Holcomb	.....	D21/480
D177,371	S	*	4/1956	Finkelstein	.....	D5/27
3,481,454	A	*	12/1969	King	.....	206/216
3,556,388	A	*	1/1971	Klein	.....	229/247
D285,178	S	*	8/1986	Ewry	.....	D9/432
4,863,035	A	*	9/1989	Hiroshima	.....	229/244
5,010,669	A	*	4/1991	Moran	.....	40/539
D323,618	S	*	2/1992	Arai et al.	.....	D9/432
5,226,532	A	*	7/1993	Davidson et al.	.....	206/232
D345,101	S	*	3/1994	Abrams	.....	D9/423

D419,443	S	*	1/2000	Yonehara et al.	.....	D9/432
D428,335	S	*	7/2000	Toyota et al.	.....	D9/432
D429,325	S	*	8/2000	Macaree	.....	D23/367
D500,788	S	*	1/2005	Kaplan	.....	D19/8
D524,654	S	*	7/2006	Harada et al.	.....	D9/457
D526,194	S	*	8/2006	Hamuro et al.	.....	D9/432
D558,570	S	*	1/2008	Sheppard et al.	.....	D9/418
D586,210	S	*	2/2009	Noschang et al.	.....	D9/434
D587,111	S	*	2/2009	Seol et al.	.....	D9/432
D588,910	S	*	3/2009	Kim	.....	D9/433
D590,250	S	*	4/2009	Seol	.....	D9/432

\* cited by examiner

*Primary Examiner*—Robert M Spear

*Assistant Examiner*—Karen Acker

(74) *Attorney, Agent, or Firm*—Cynthia L. Clay; Kim William Zerby

(57) **CLAIM**

The ornamental design for a packaging container with surface ornamentation, as shown and described.

**DESCRIPTION**

FIG. 1 is a perspective view of packaging container with surface ornamentation embodying our new design;

FIG. 2 is a front view thereof;

FIG. 3 is a rear view thereof;

FIG. 4 is a left side view thereof;

FIG. 5 is a right side view thereof;

FIG. 6 is a top view thereof;

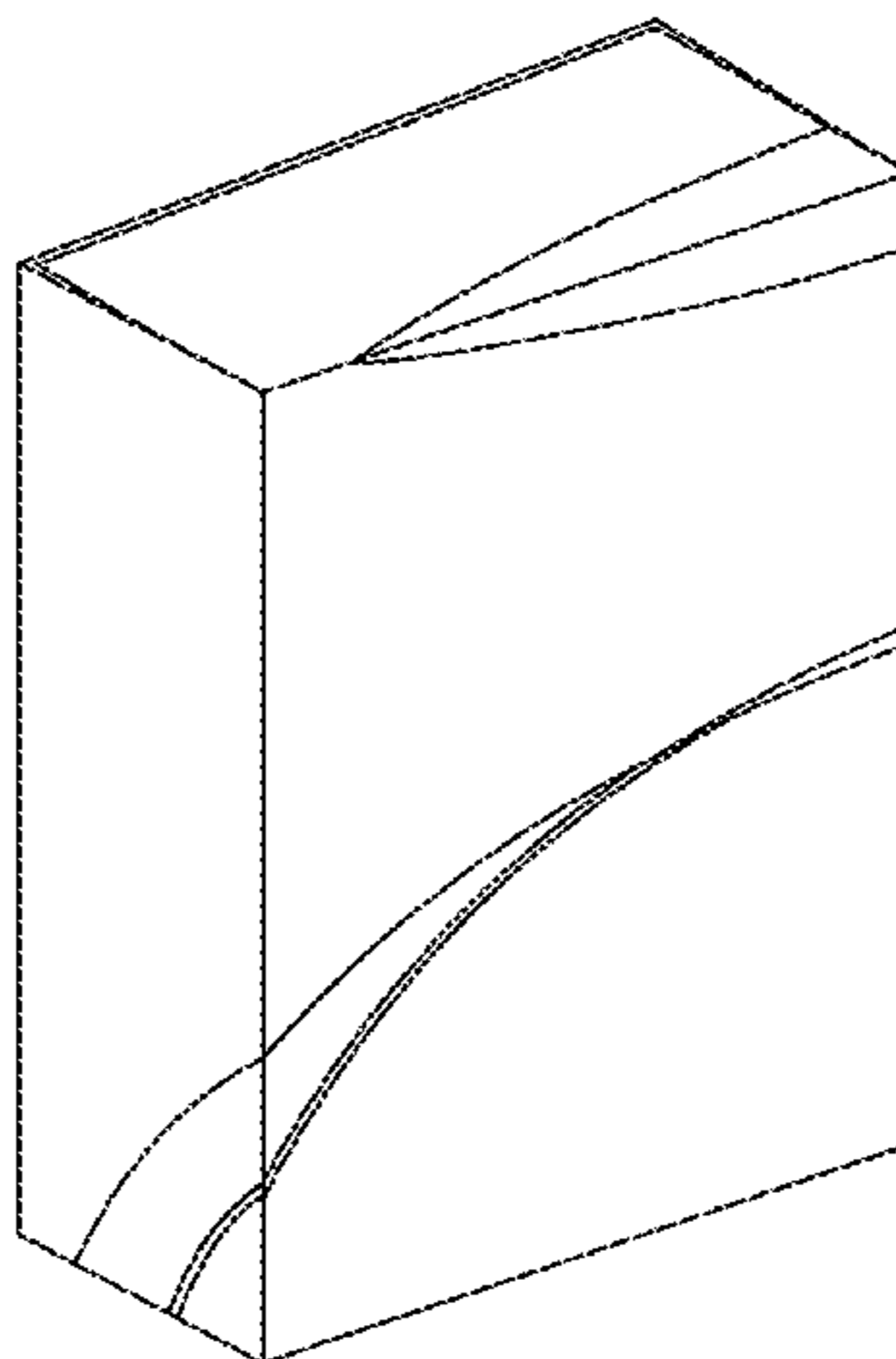
FIG. 7 is a bottom view thereof;

FIG. 8 is a top view of the packaging container in an unfolded state; and,

FIG. 9 is a top view of a second embodiment of the packaging container in an unfolded state. Front, rear, left, right, top and bottom views thereof are the same as those of FIGS. 2-7.

The broken lines in the drawing represent unclaimed environmental subject matter.

**1 Claim, 5 Drawing Sheets**



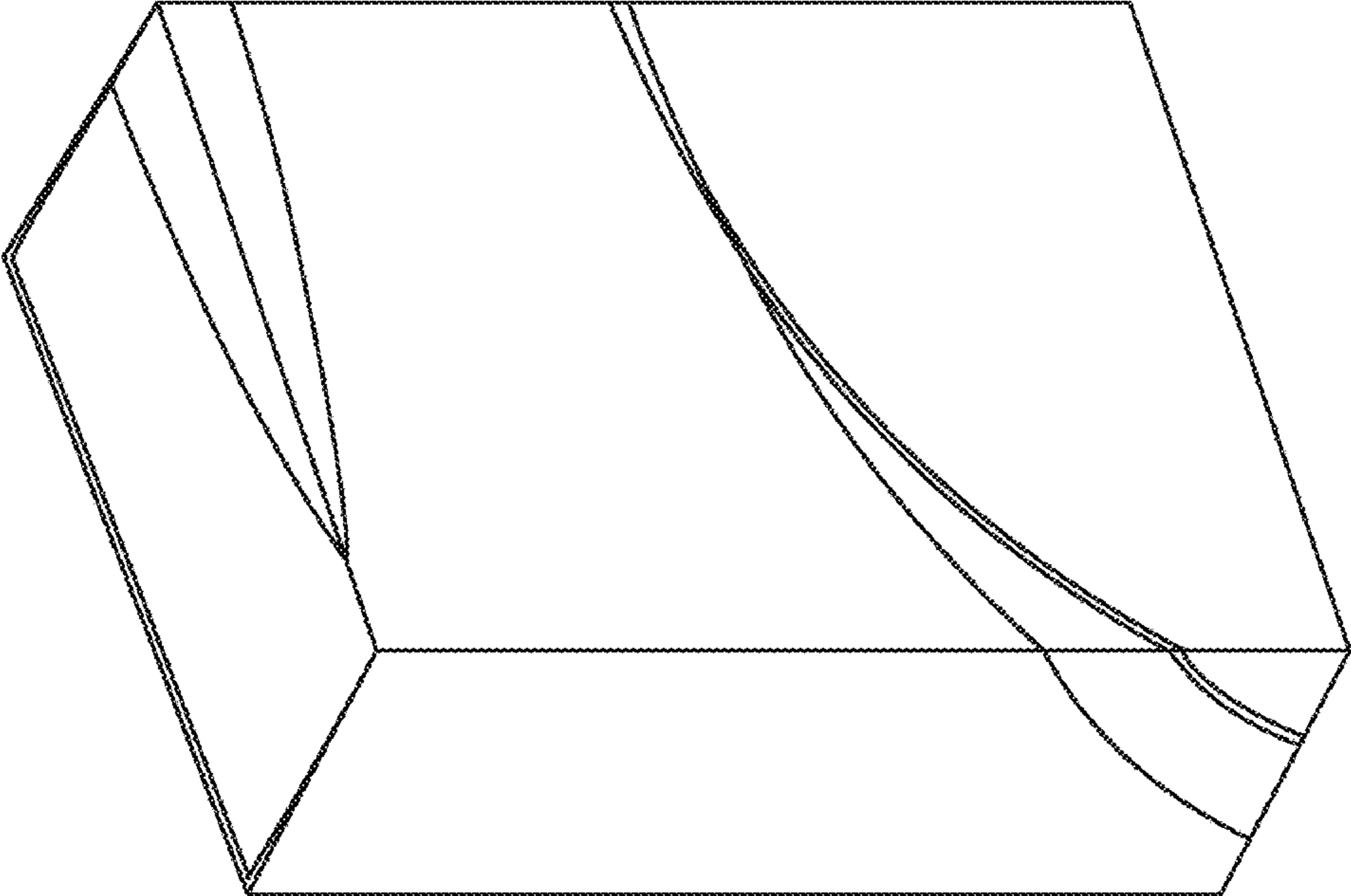
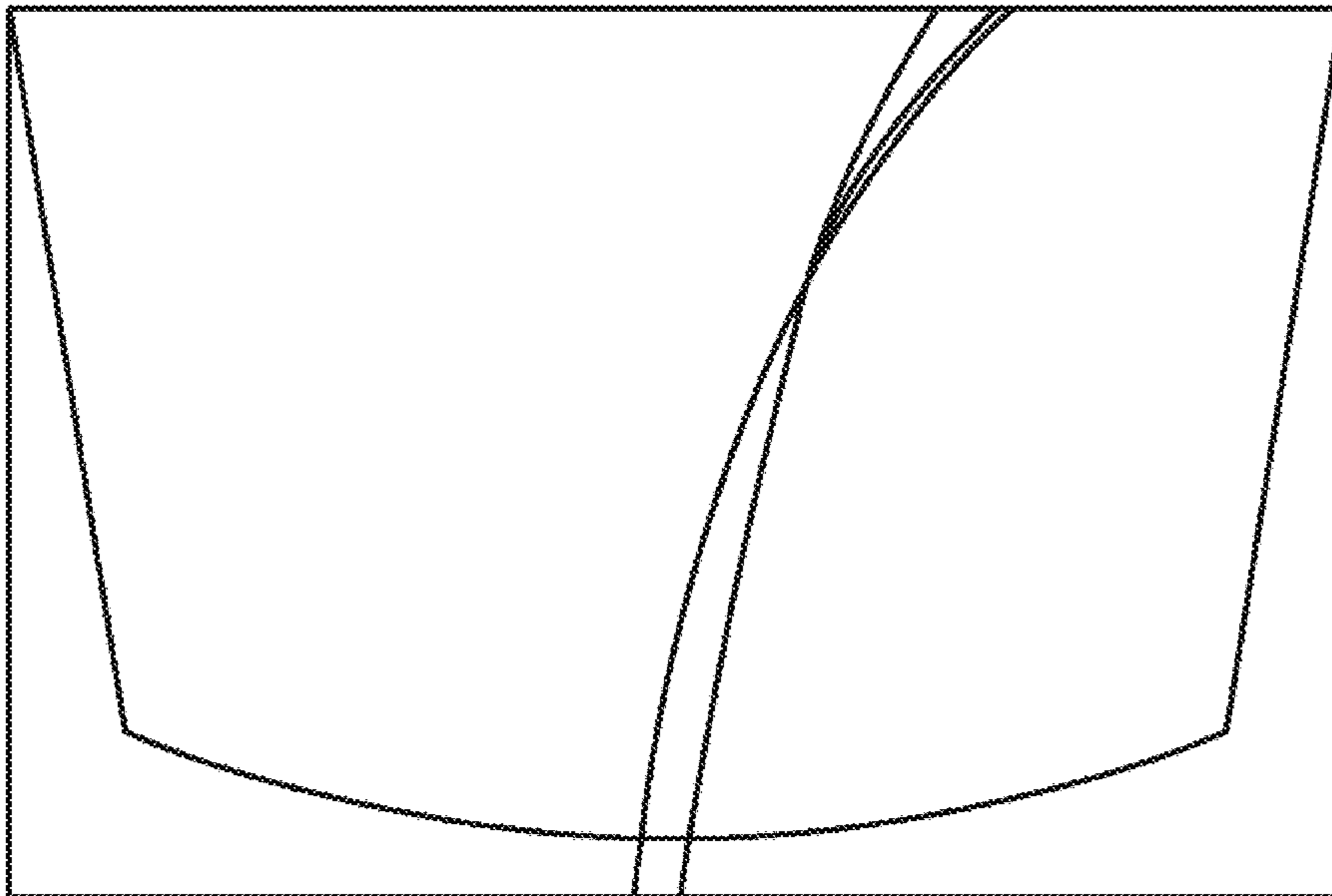
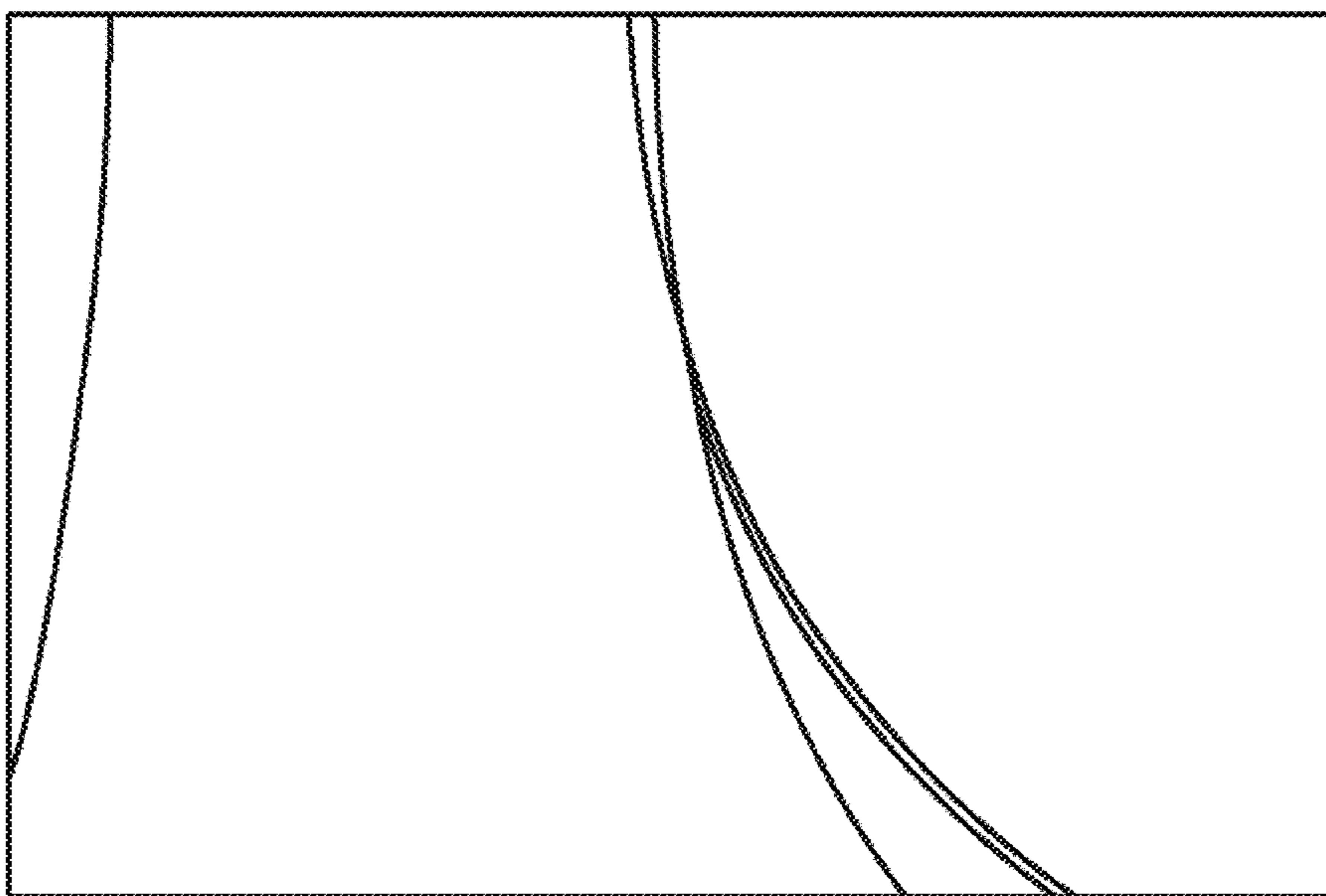


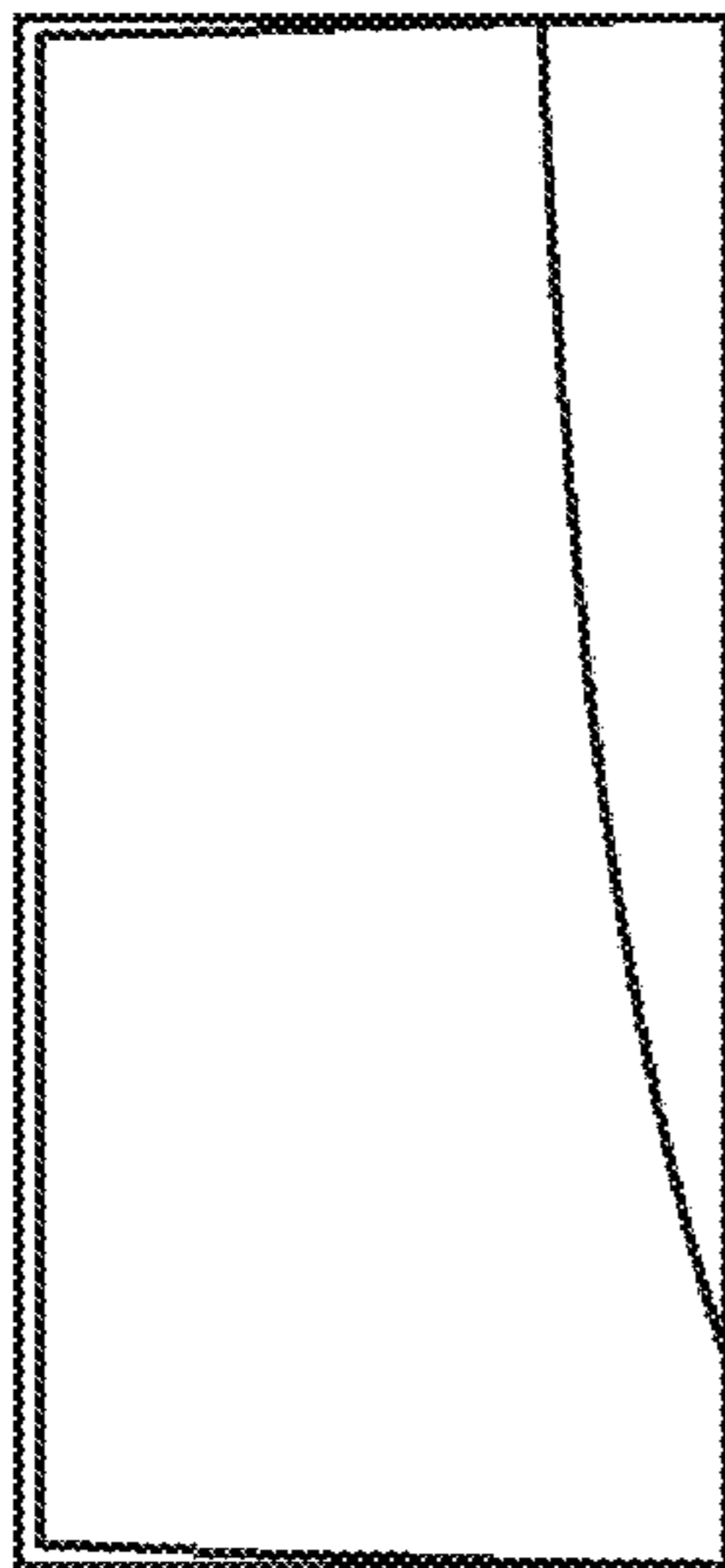
Fig. 1



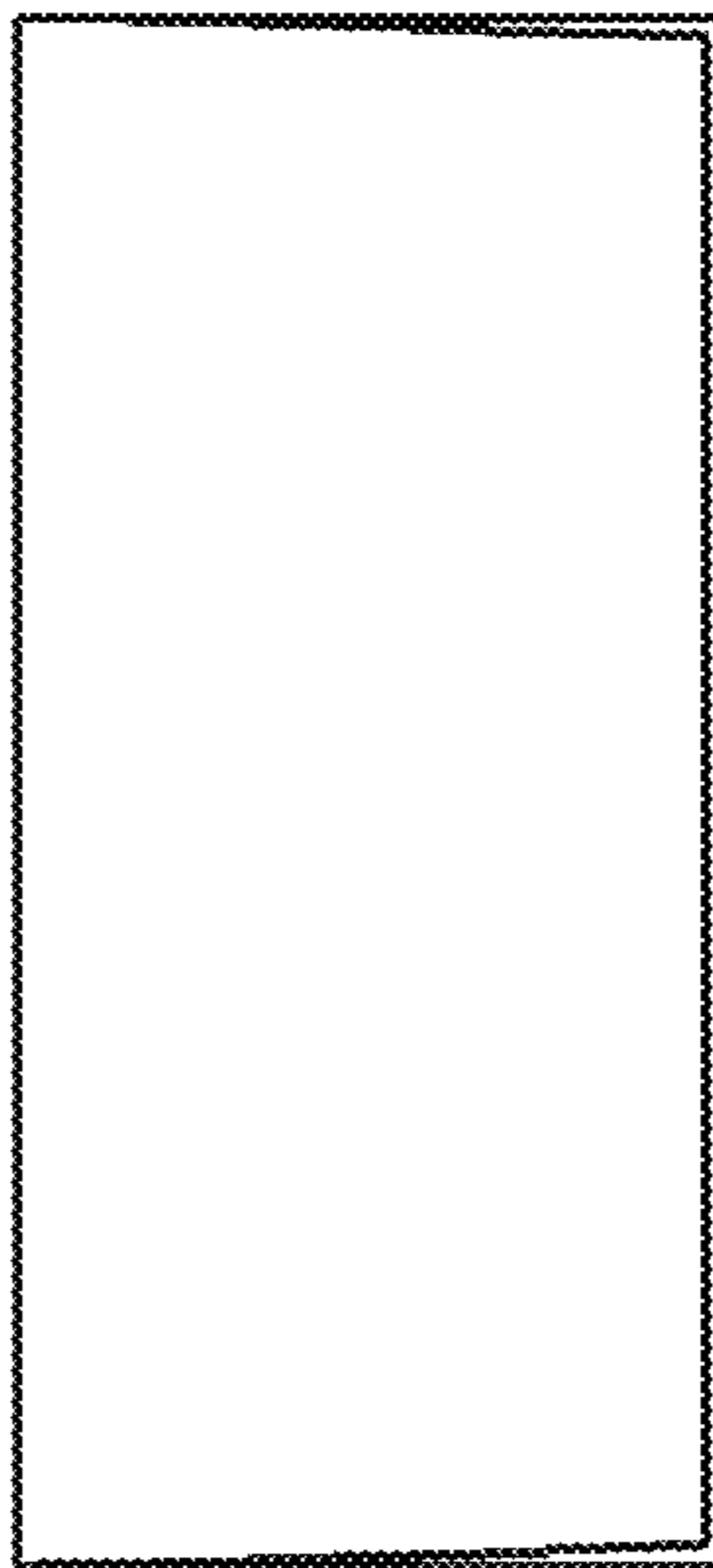
**Fig. 3**



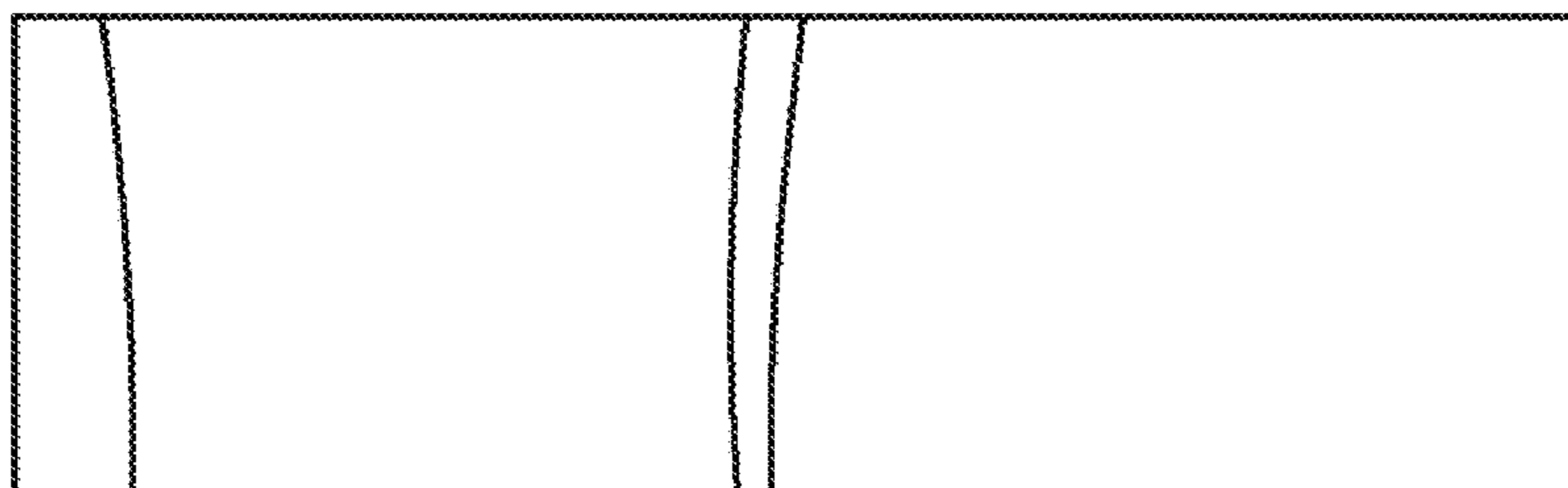
**Fig. 2**



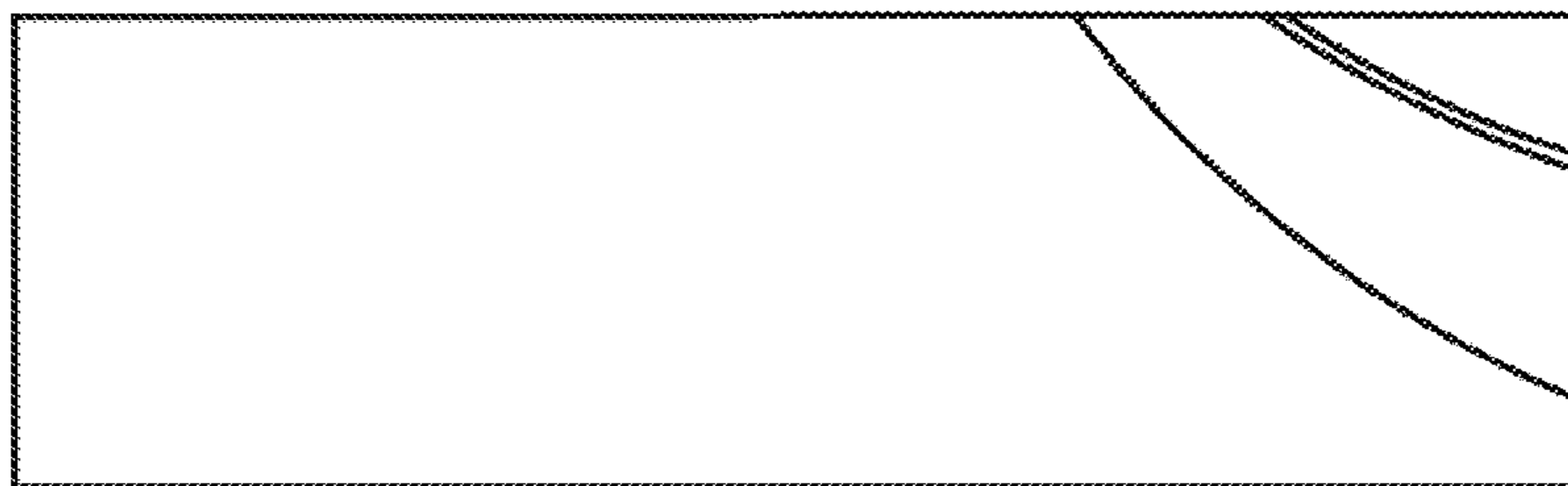
**Fig. 6**



**Fig. 7**



**Fig. 5**



**Fig. 4**

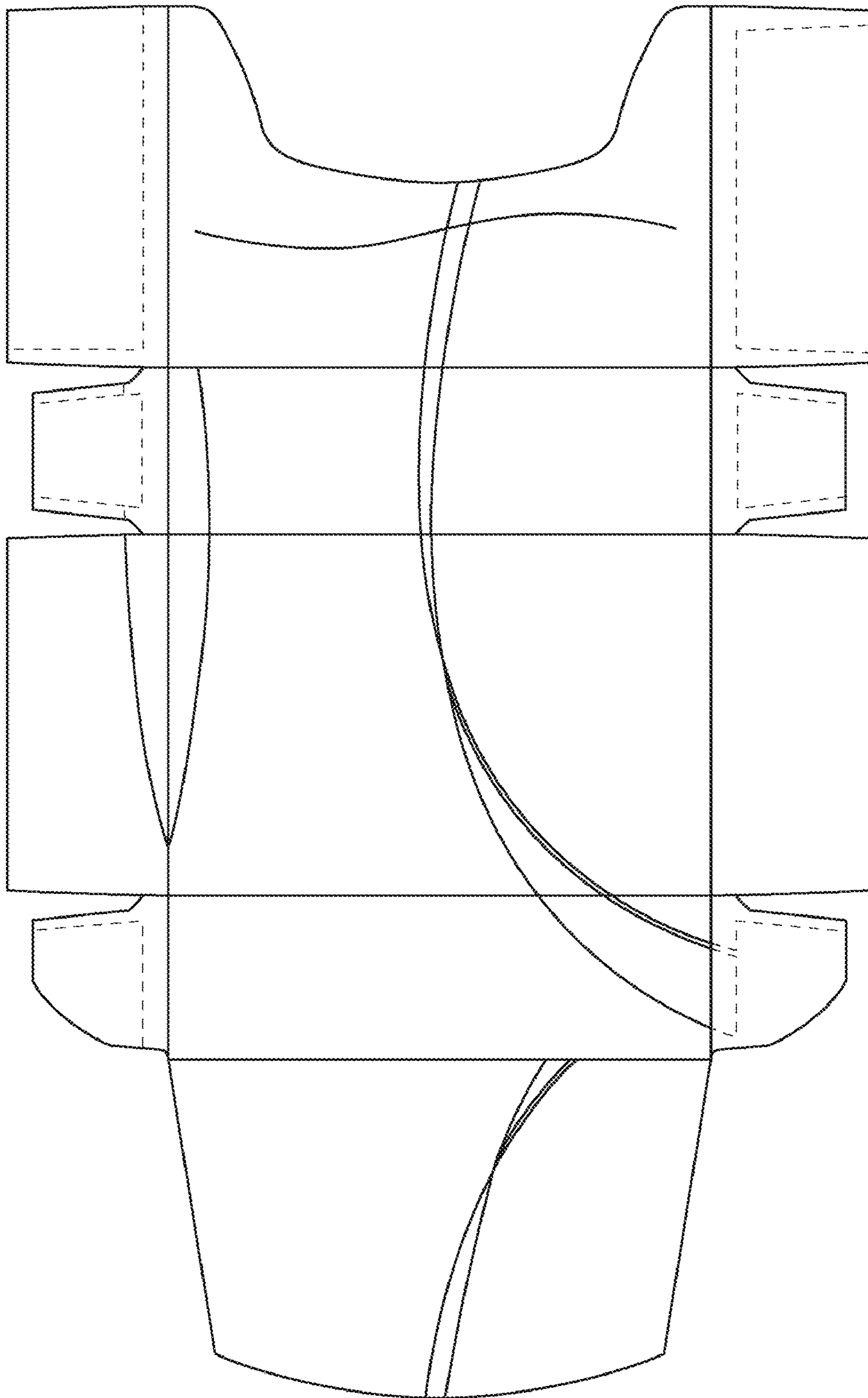


Fig. 8



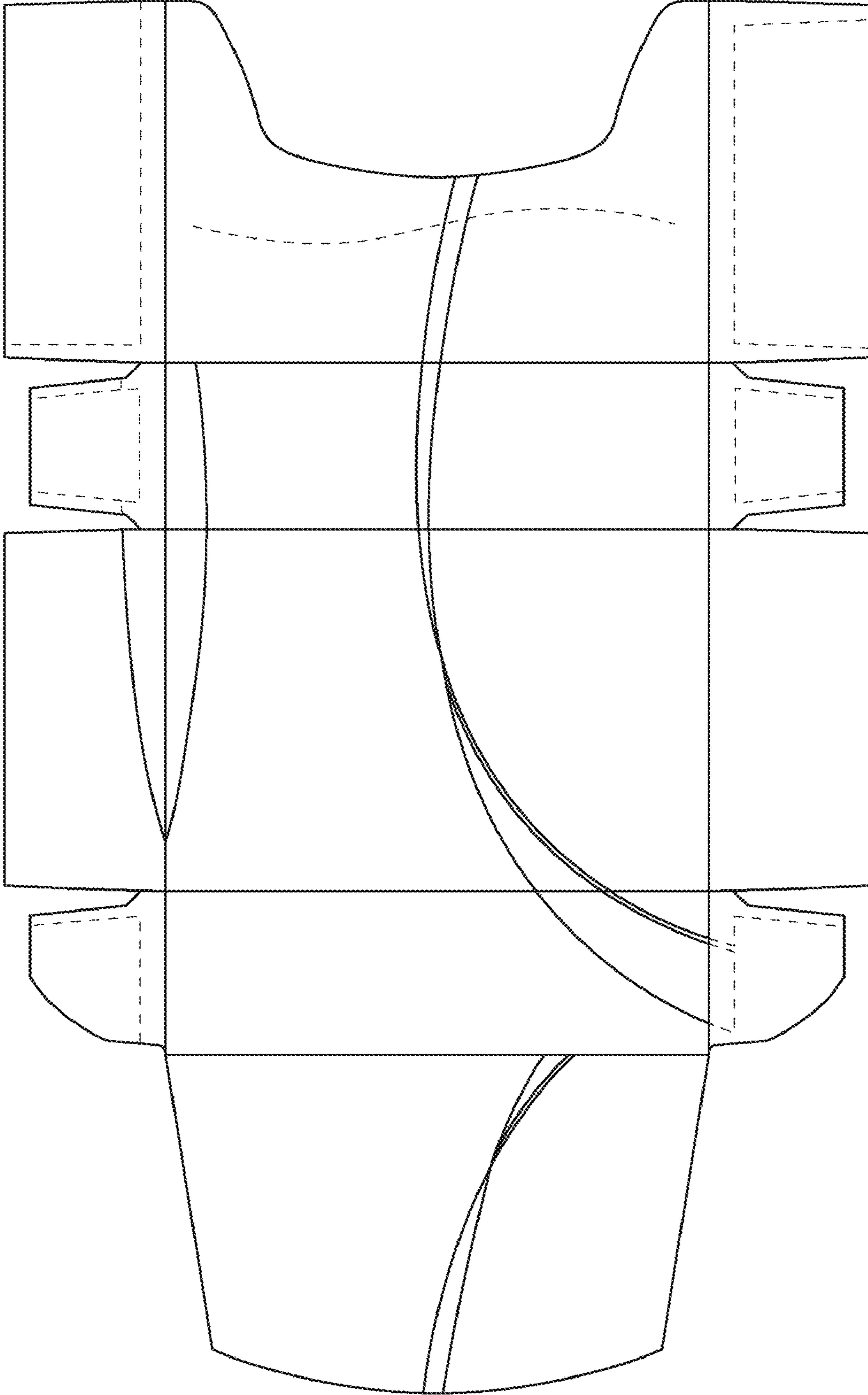


Fig. 9