



US00D621698S

(12) **United States Design Patent**
Cometto

(10) **Patent No.:** **US D621,698 S**

(45) **Date of Patent:** **** Aug. 17, 2010**

(54) **BEVERAGE CARTRIDGE**

(75) Inventor: **Michele Cometto**, 168 NE. 24th St.,
Miami, FL (US) 33137

(73) Assignee: **Michele Cometto**, Miami, FL (US)

(**) Term: **14 Years**

(21) Appl. No.: **29/351,952**

(22) Filed: **Dec. 14, 2009**

(51) **LOC (9) Cl.** **09-03**

(52) **U.S. Cl.** **D9/424; D9/428**

(58) **Field of Classification Search** D9/424,
D9/414, 416, 417, 419, 425, 428, 436, 499;
D7/300, 309, 310, 387, 400, 667, 700; D23/365,
D23/366; 99/279, 295; 206/207, 501, 822;
210/233, 235, 236, 452, 455, 464, 474, 497.01;
220/592.18, 645, 659, 912; 426/77, 433,
426/435

See application file for complete search history.

(56) **References Cited**

U.S. PATENT DOCUMENTS

D231,307 S *	4/1974	Wolfman	D7/310
D235,183 S *	5/1975	Braun	D7/667
D328,405 S *	8/1992	Heiligenstein et al.	D7/400
D335,531 S *	5/1993	Kunze et al.	D23/366
5,230,867 A *	7/1993	Kunze et al.	422/123
D341,992 S *	12/1993	Gasser	D7/400
D375,878 S *	11/1996	Morris	D7/700
5,840,189 A *	11/1998	Sylvan et al.	210/474
D404,262 S *	1/1999	McGill	D7/629
D407,602 S *	4/1999	Patel	D7/400
D415,552 S *	10/1999	Malorni	D23/200
6,606,938 B2	8/2003	Taylor		

6,645,537 B2	11/2003	Sweeney et al.		
D484,408 S *	12/2003	Anderson	D9/428
6,708,600 B2	3/2004	Winkler et al.		
6,849,285 B2	2/2005	Masek et al.		
D502,362 S *	3/2005	Lazaris et al.	D7/400
D506,926 S *	7/2005	Halliday et al.	D9/416
D513,152 S	12/2005	Cahen		
7,093,530 B2 *	8/2006	Meister et al.	99/295
D539,643 S	4/2007	Abel		
7,219,598 B2 *	5/2007	Halliday et al.	99/295
D574,258 S *	8/2008	Girard et al.	D9/708
2001/0048957 A1 *	12/2001	Lazaris et al.	426/77
2002/0015768 A1 *	2/2002	Masek et al.	426/115
2002/0048621 A1 *	4/2002	Boyd et al.	426/77
2003/0005826 A1 *	1/2003	Sargent et al.	99/279
2003/0222089 A1 *	12/2003	Hale	220/912
2005/0051478 A1	3/2005	Karanikos et al.		

* cited by examiner

Primary Examiner—Prabhakar Deshmukh

Assistant Examiner—Derrick Holland

(74) *Attorney, Agent, or Firm*—Lott & Friedland, P.A.

(57) **CLAIM**

The ornamental design for a beverage cartridge, substantially as shown and described.

DESCRIPTION

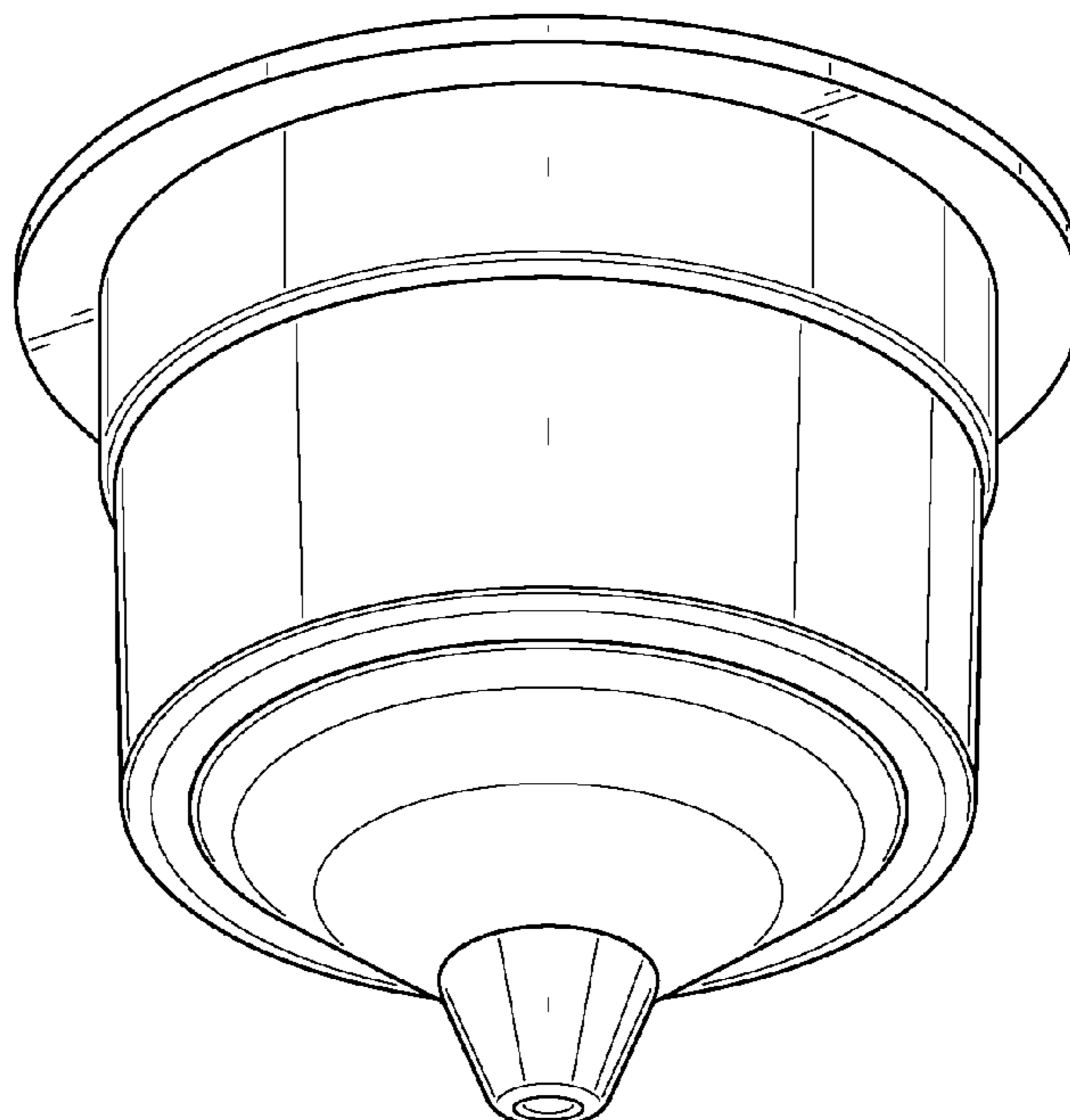
FIG. 1 is a front perspective view of the beverage cartridge of the present invention;

FIG. 2 is a front elevational view of the beverage cartridge in FIG. 1 the left, right, and rear elevational views thereof being identical to this view;

FIG. 3 is a top view of the beverage cartridge in FIG. 1; and,

FIG. 4 is a bottom view of the beverage cartridge in FIG. 1.

1 Claim, 4 Drawing Sheets



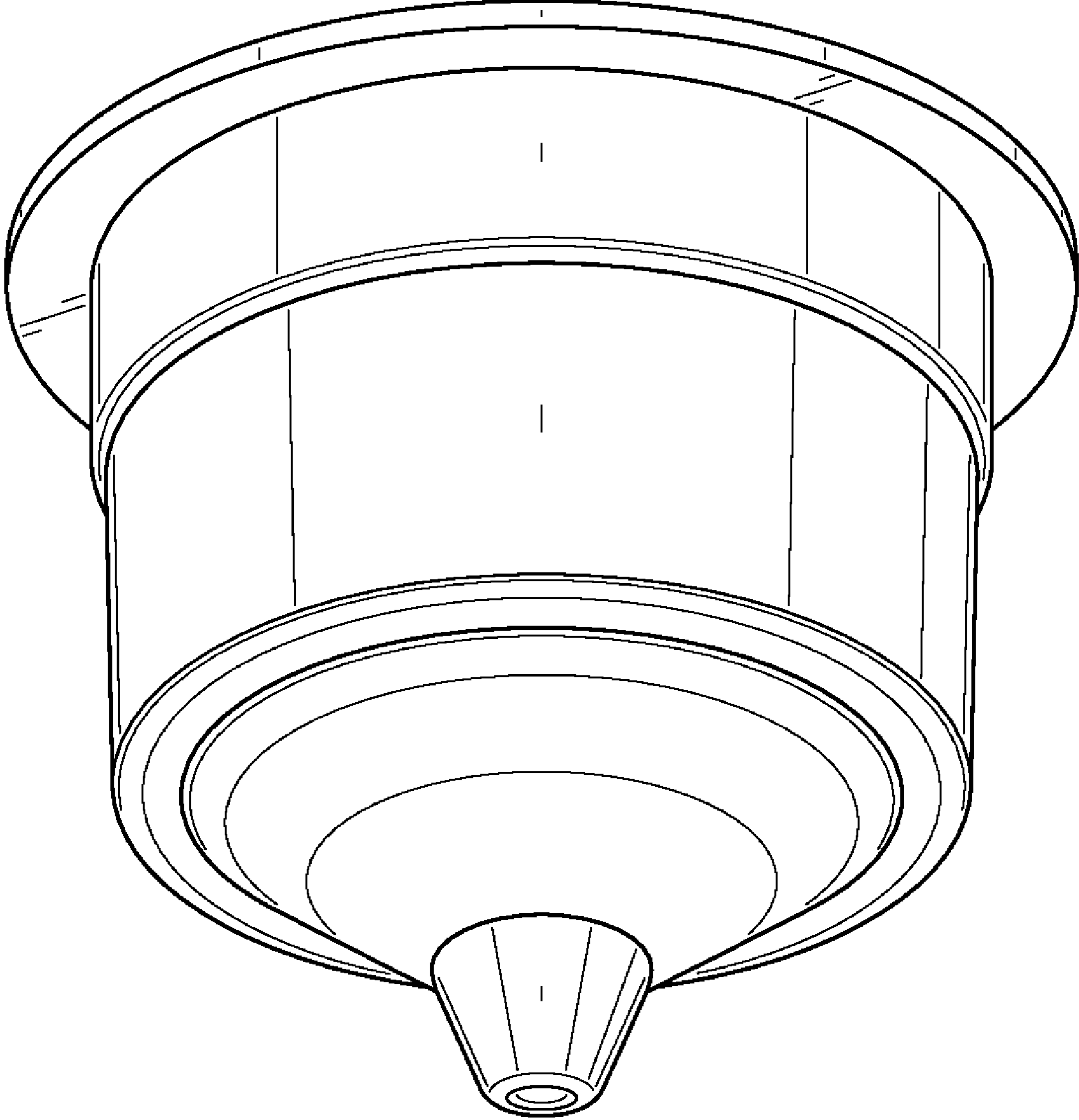


FIG. 1

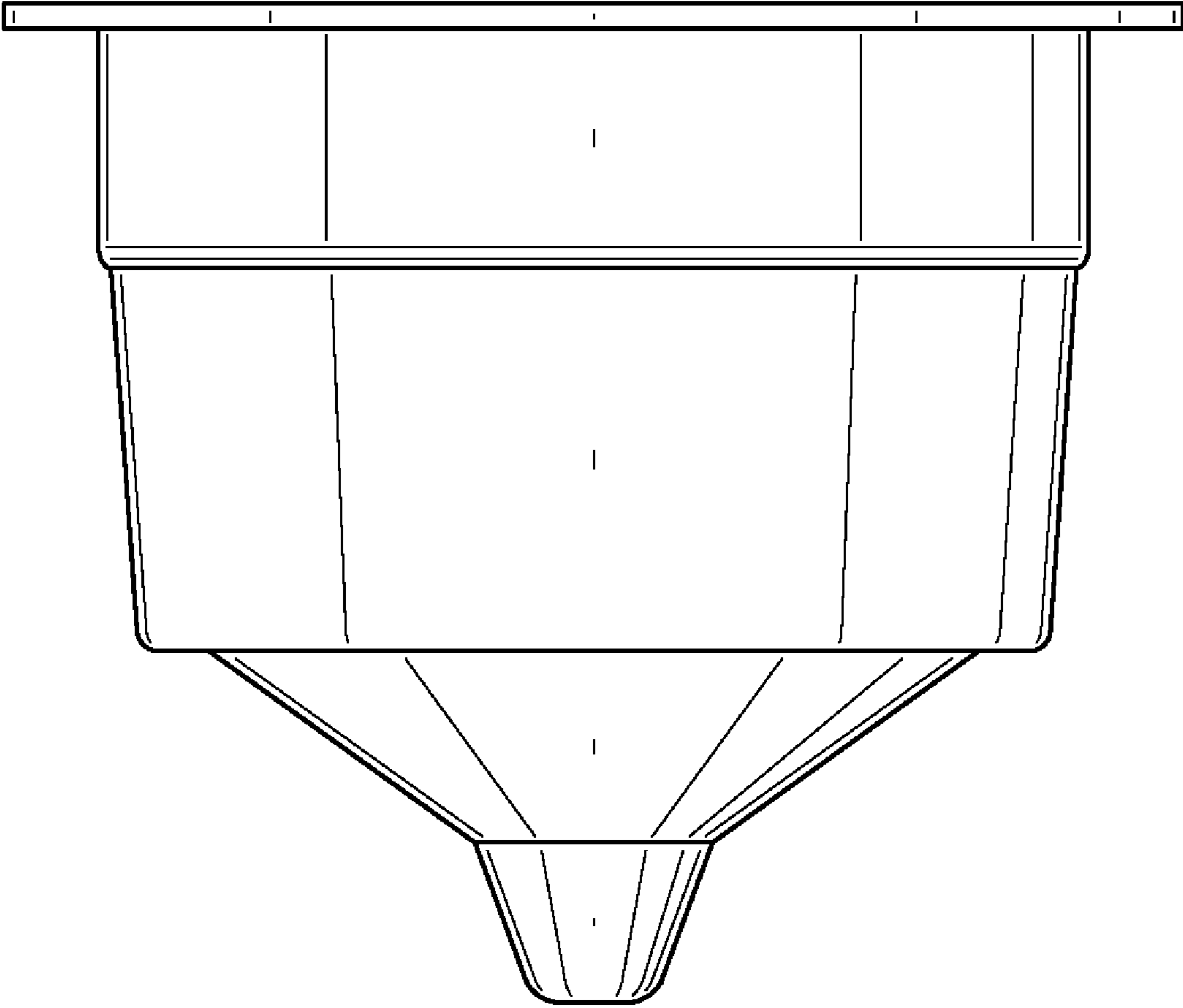


FIG. 2

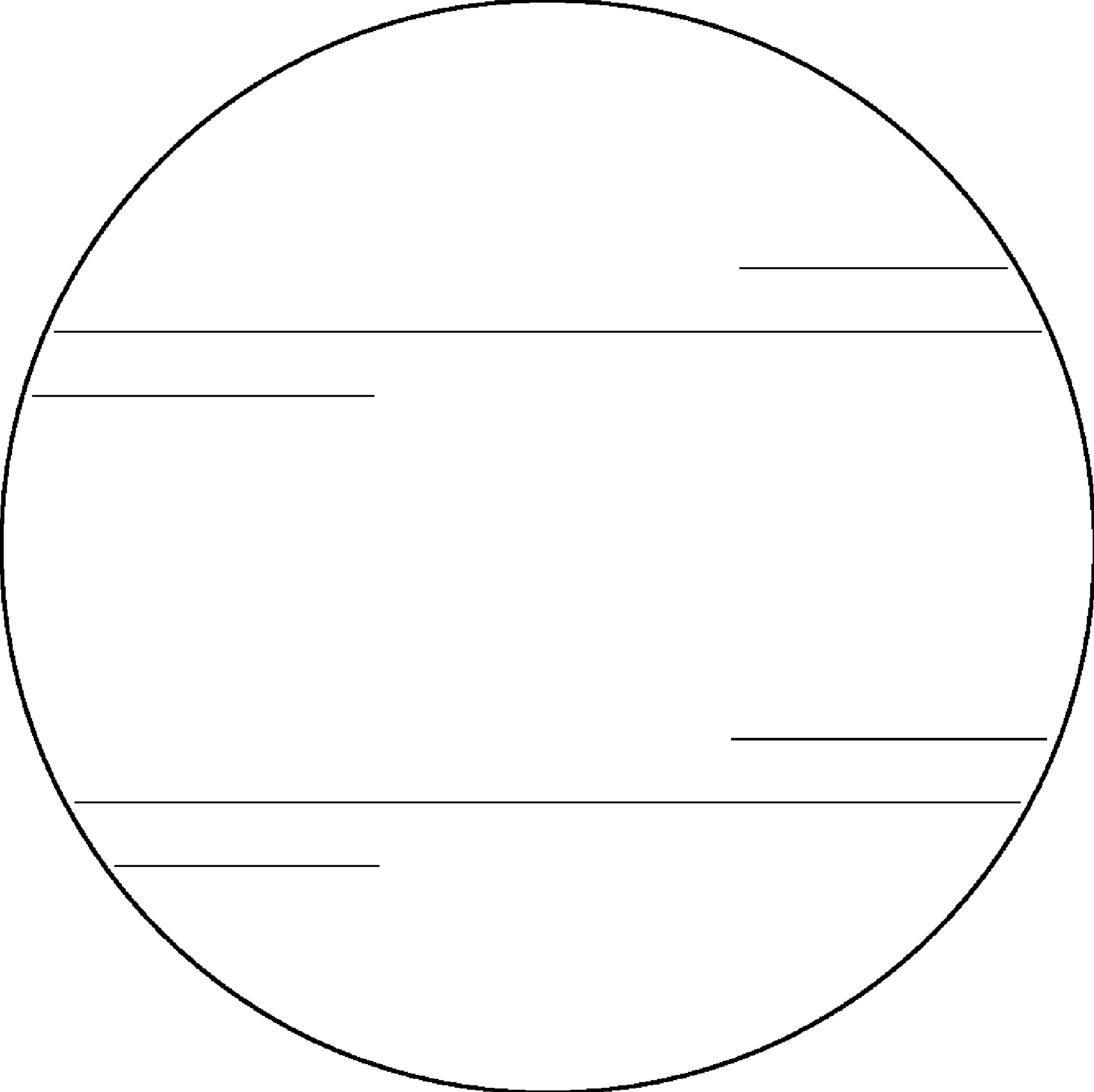


FIG. 3

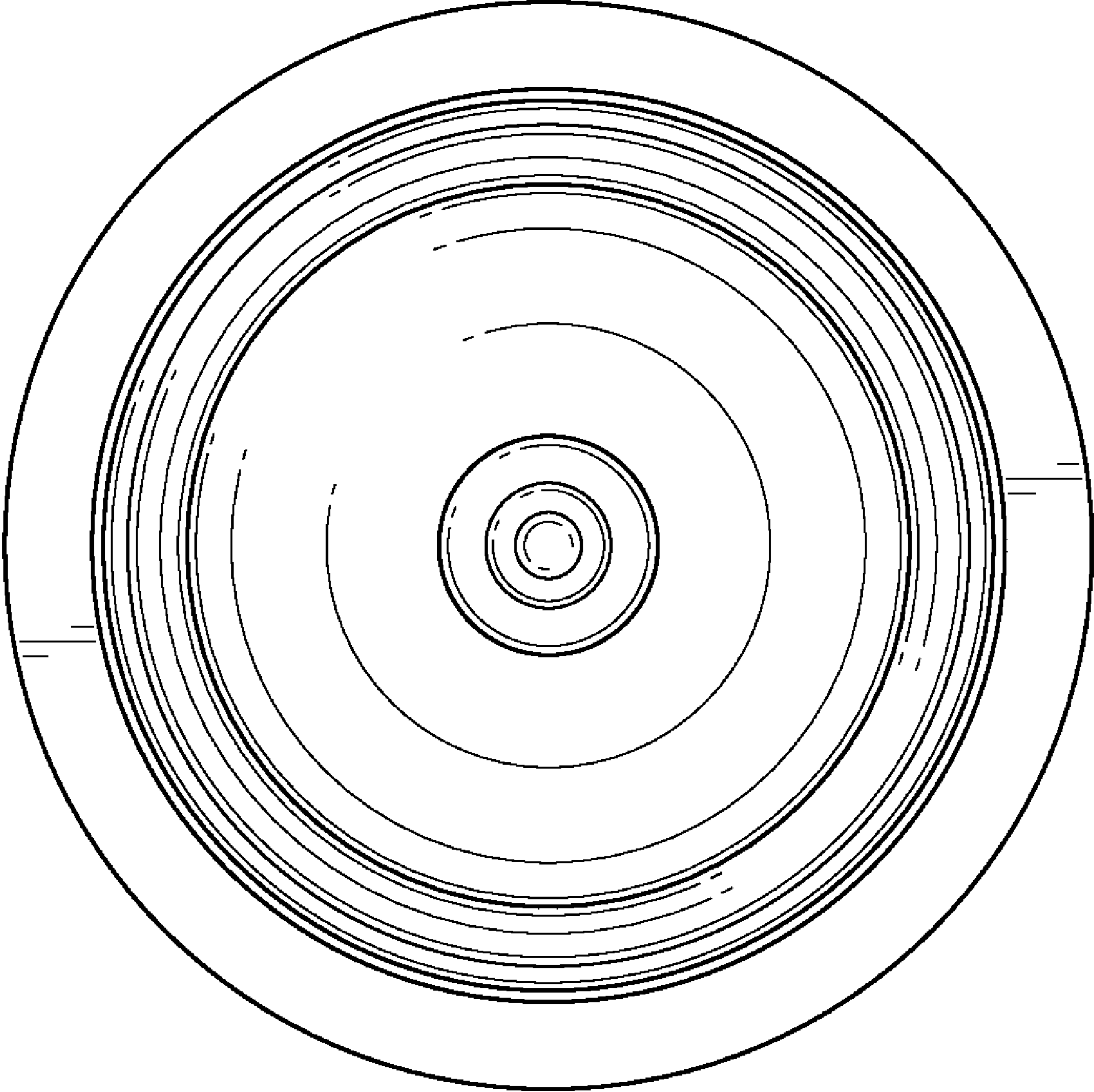


FIG. 4