



US00D621697S

(12) **United States Design Patent**
Giraud et al.

(10) **Patent No.:** **US D621,697 S**

(45) **Date of Patent:** **** Aug. 17, 2010**

(54) **CONTAINER**

(75) Inventors: **Jean-Pierre Giraud**, Paris (FR); **Michel Zbirka**, Jouy-sur-Morin (FR)

(73) Assignee: **CSP Technologies, Inc.**, Amsterdam, NY (US)

(**) Term: **14 Years**

(21) Appl. No.: **29/342,741**

(22) Filed: **Aug. 31, 2009**

(51) **LOC (9) Cl.** **09-03**

(52) **U.S. Cl.** **D9/423**

(58) **Field of Classification Search** 222/173,
222/180; 221/26, 33, 45, 63, 282-284; 206/225,
206/233, 389, 391, 409, 494, 812, 824; 211/13.1,
211/45; 224/925; 242/570, 590; 248/309.1,
248/309.2, 905; D12/17, 19; D3/273, 294,
D3/318; D9/420-423, 549, 734; D6/512,
D6/515-523

See application file for complete search history.

(56) **References Cited**

U.S. PATENT DOCUMENTS

D456,713 S *	5/2002	Bried et al.	D9/449
D462,613 S *	9/2002	Bried et al.	D9/428
D467,801 S *	12/2002	Baerenwald et al.	D9/432
D474,402 S *	5/2003	Baerenwald	D9/420
D609,855 S *	2/2010	Patel et al.	D27/189

* cited by examiner

Primary Examiner—Daniel D Bui
Assistant Examiner—Thomas J Johannes

(74) *Attorney, Agent, or Firm*—McAndrews, Held & Malloy, Ltd.

(57) **CLAIM**

The ornamental design for a container, as shown and described.

DESCRIPTION

FIG. 1 is a front perspective view of a container showing our new design in an open position;

FIG. 2 is a front elevation view thereof;

FIG. 3 is a rear elevation view thereof;

FIG. 4 is a right side elevation view thereof;

FIG. 5 is a left side elevation view thereof;

FIG. 6 is a top plan view thereof;

FIG. 7 is a bottom plan view thereof;

FIG. 8 is a front perspective view thereof shown in a closed position;

FIG. 9 is a front elevation view thereof;

FIG. 10 is a rear elevation view thereof;

FIG. 11 is a right side elevation view thereof;

FIG. 12 is a left side elevation view thereof;

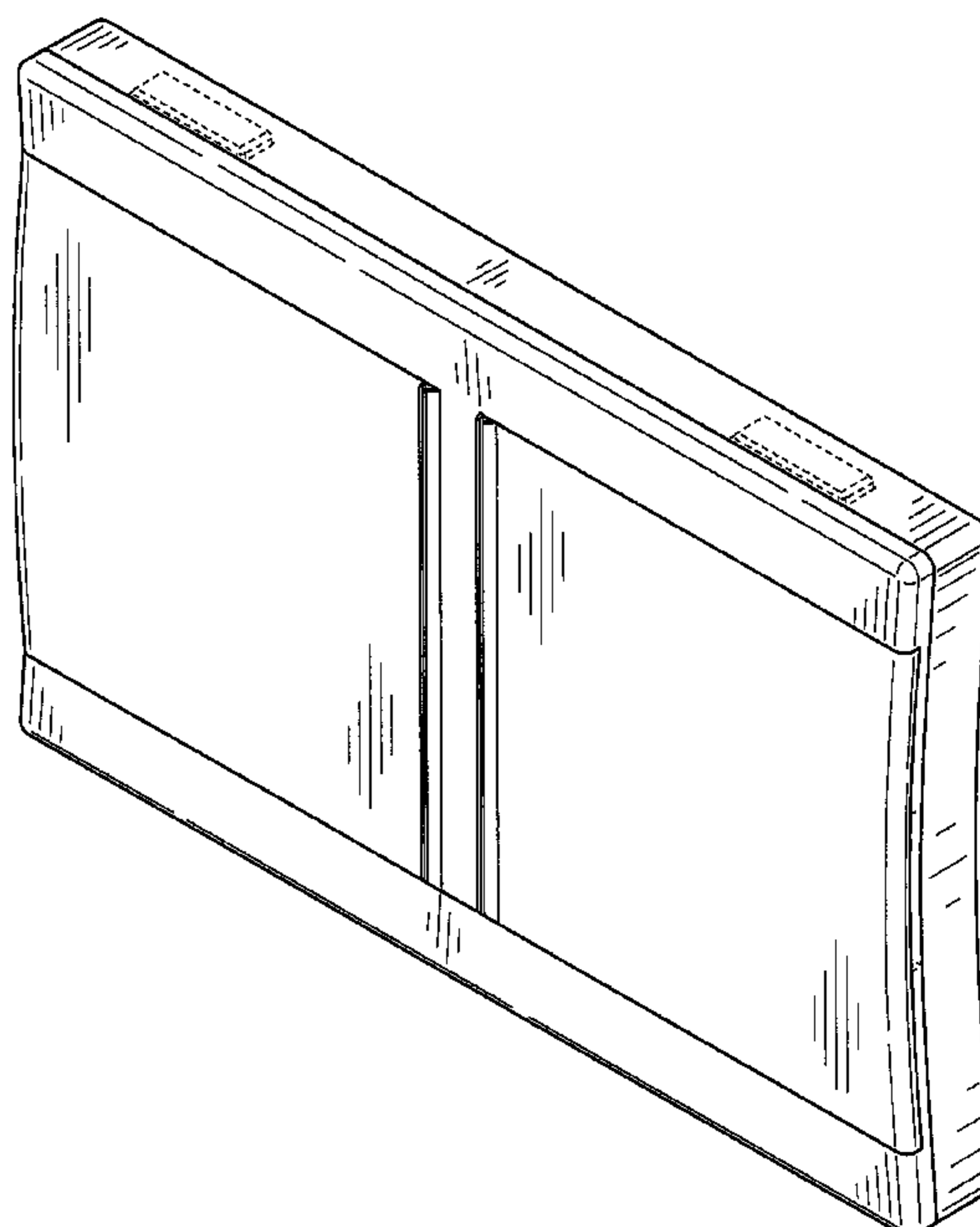
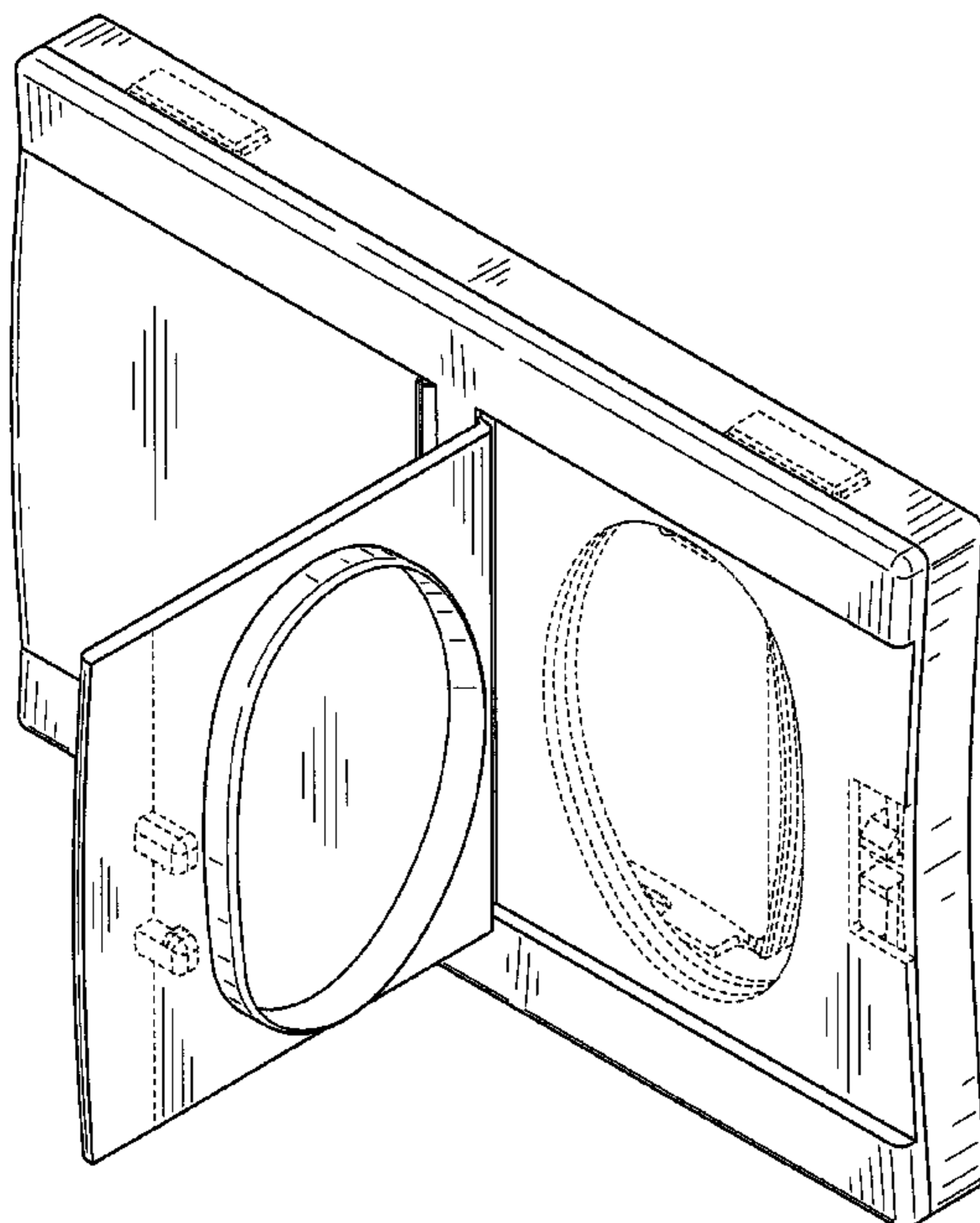
FIG. 13 is a top plan view thereof; and,

FIG. 14 is a bottom plan view thereof.

The portions shown in dotted lines depict unclaimed structure that forms no part of the claimed design.

The special dot-dash broken line defines the bounds of the claimed design and, itself, forms no part of the claimed design.

1 Claim, 7 Drawing Sheets



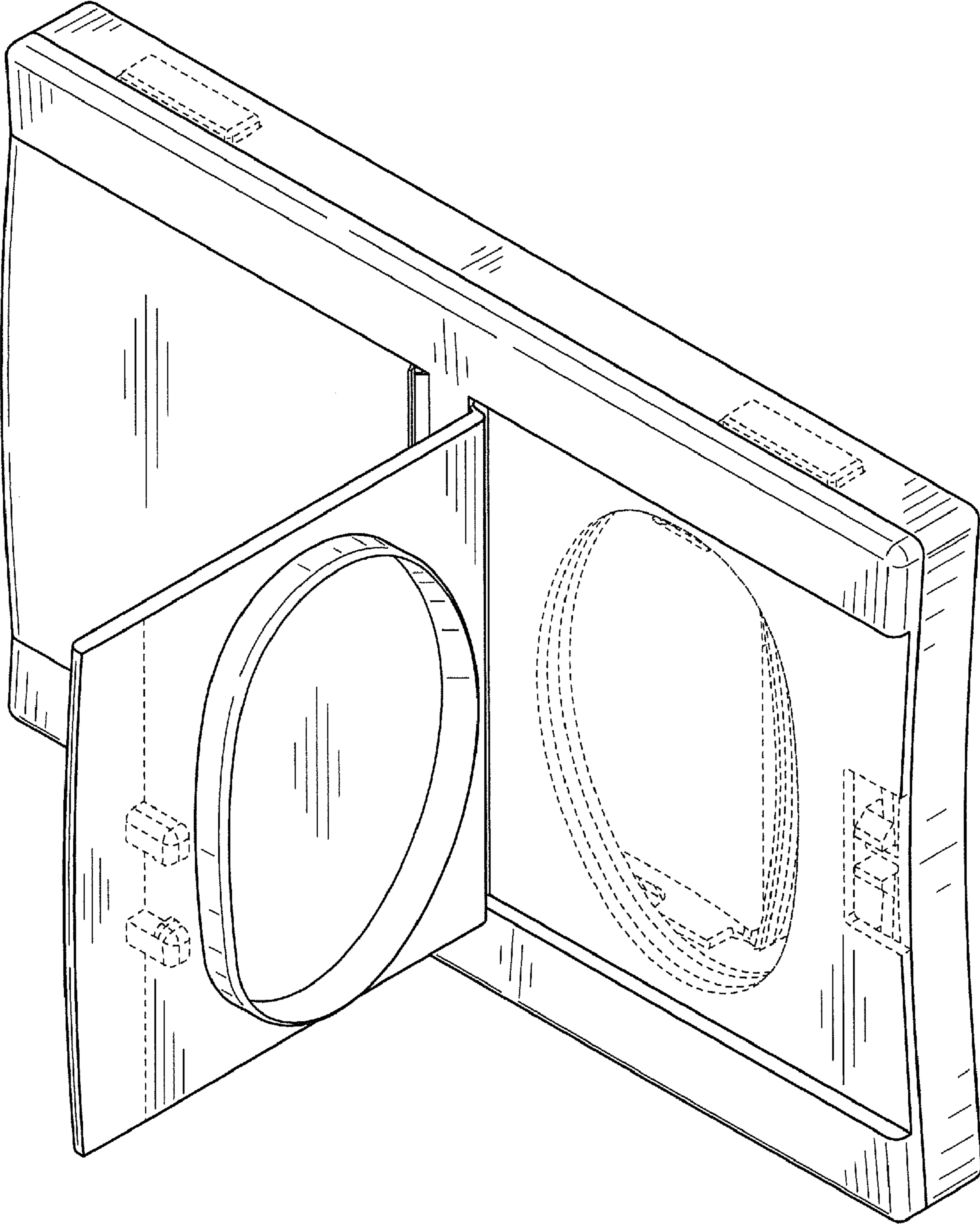


FIG. 1

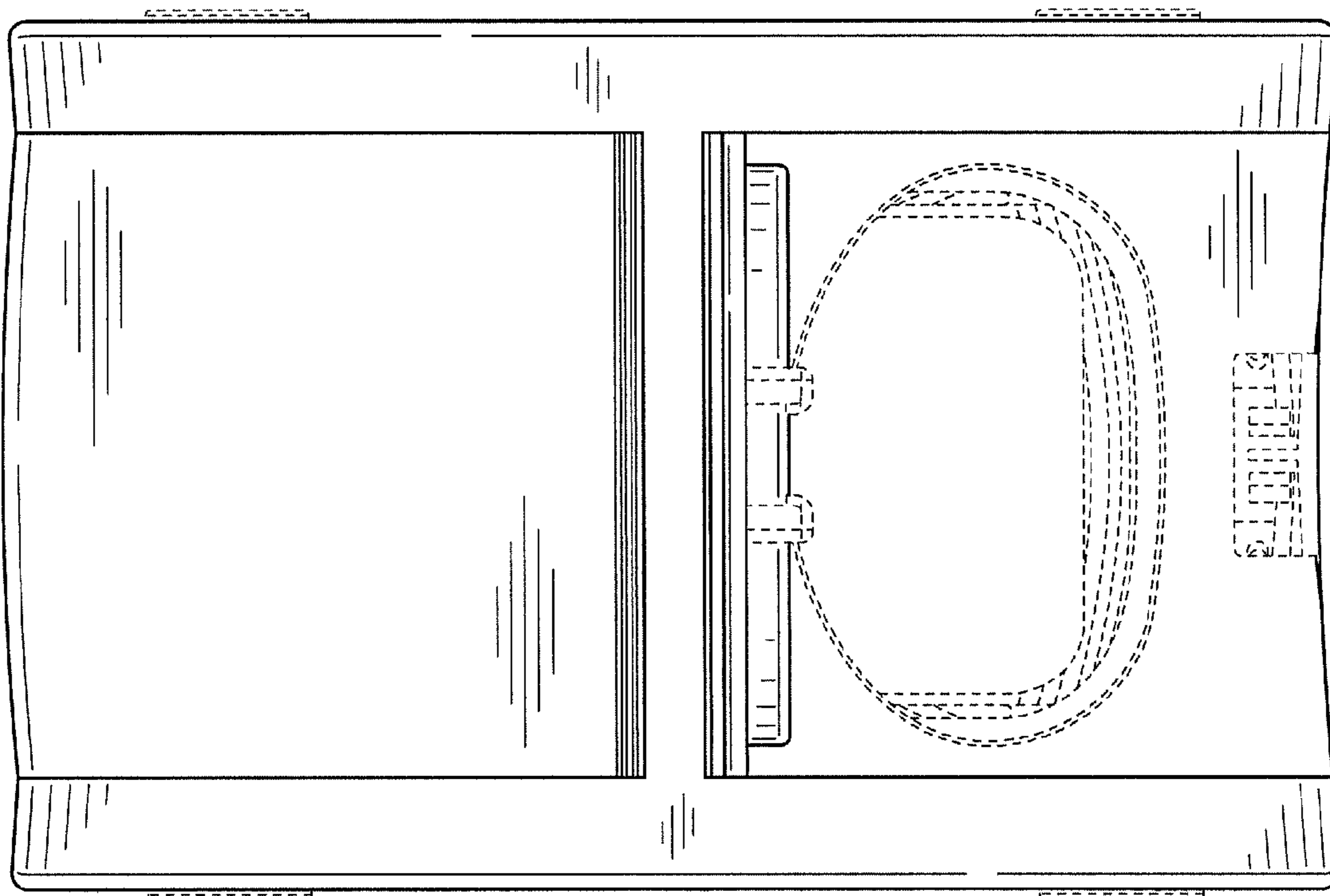


FIG. 2

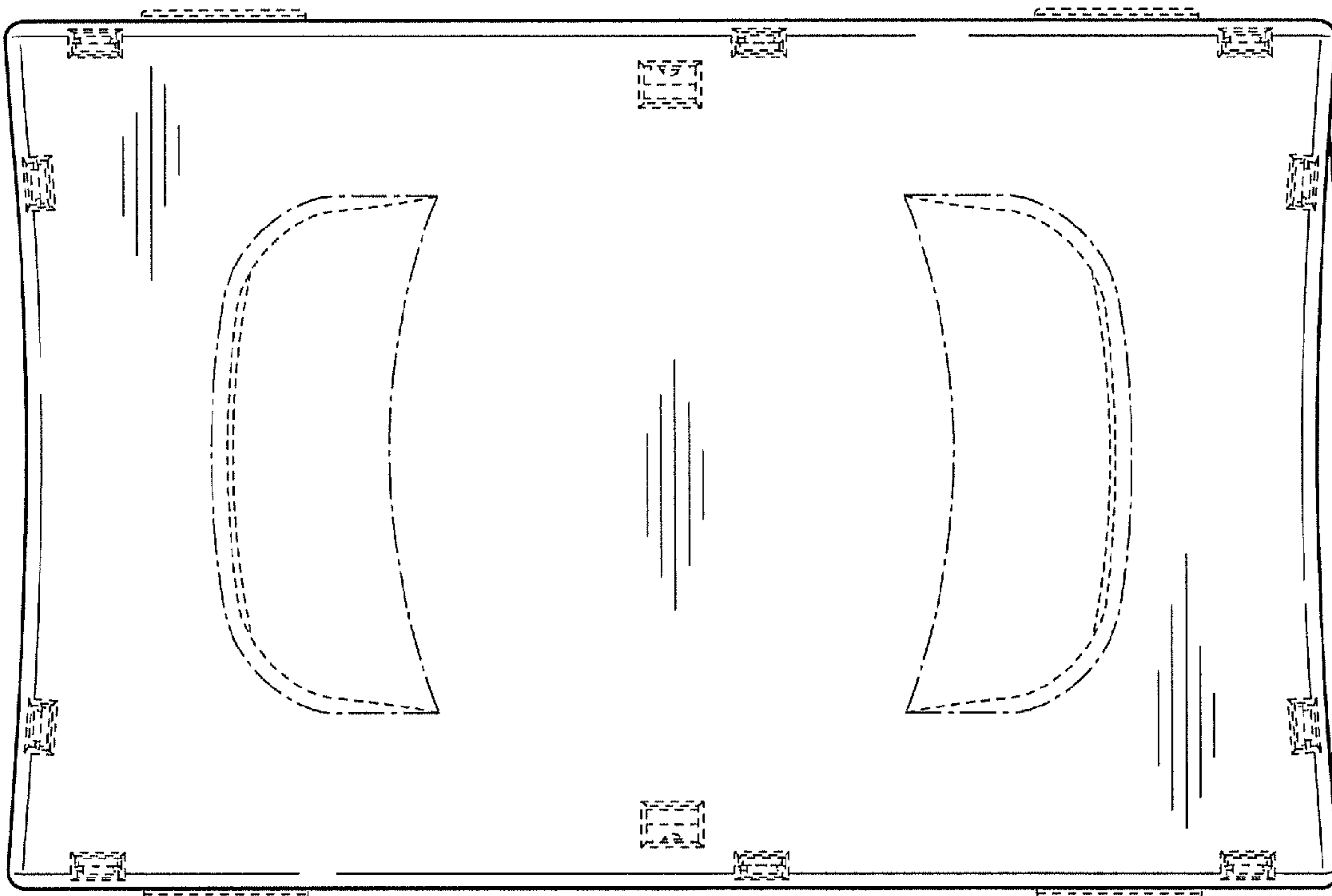


FIG. 3

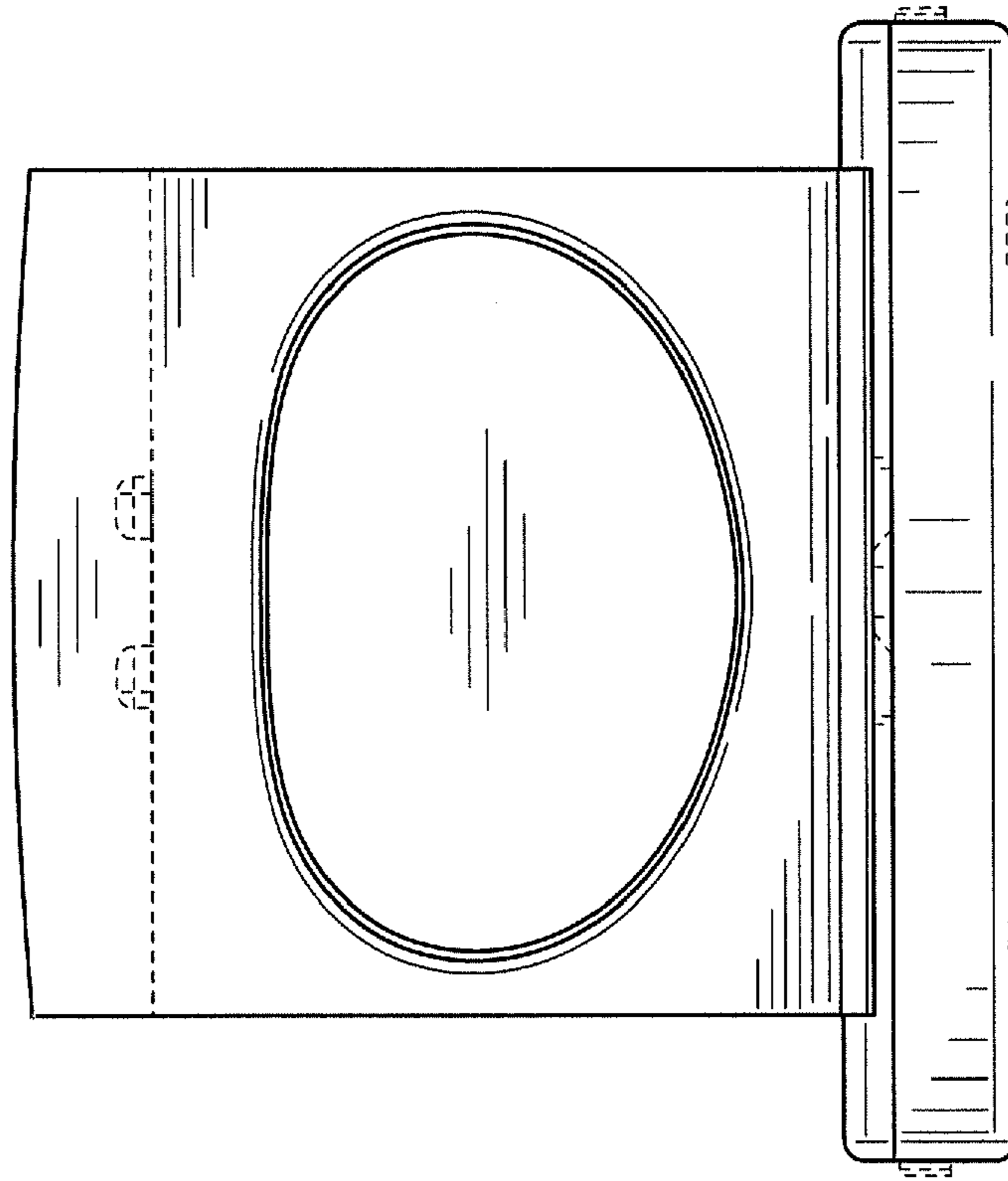


FIG. 4

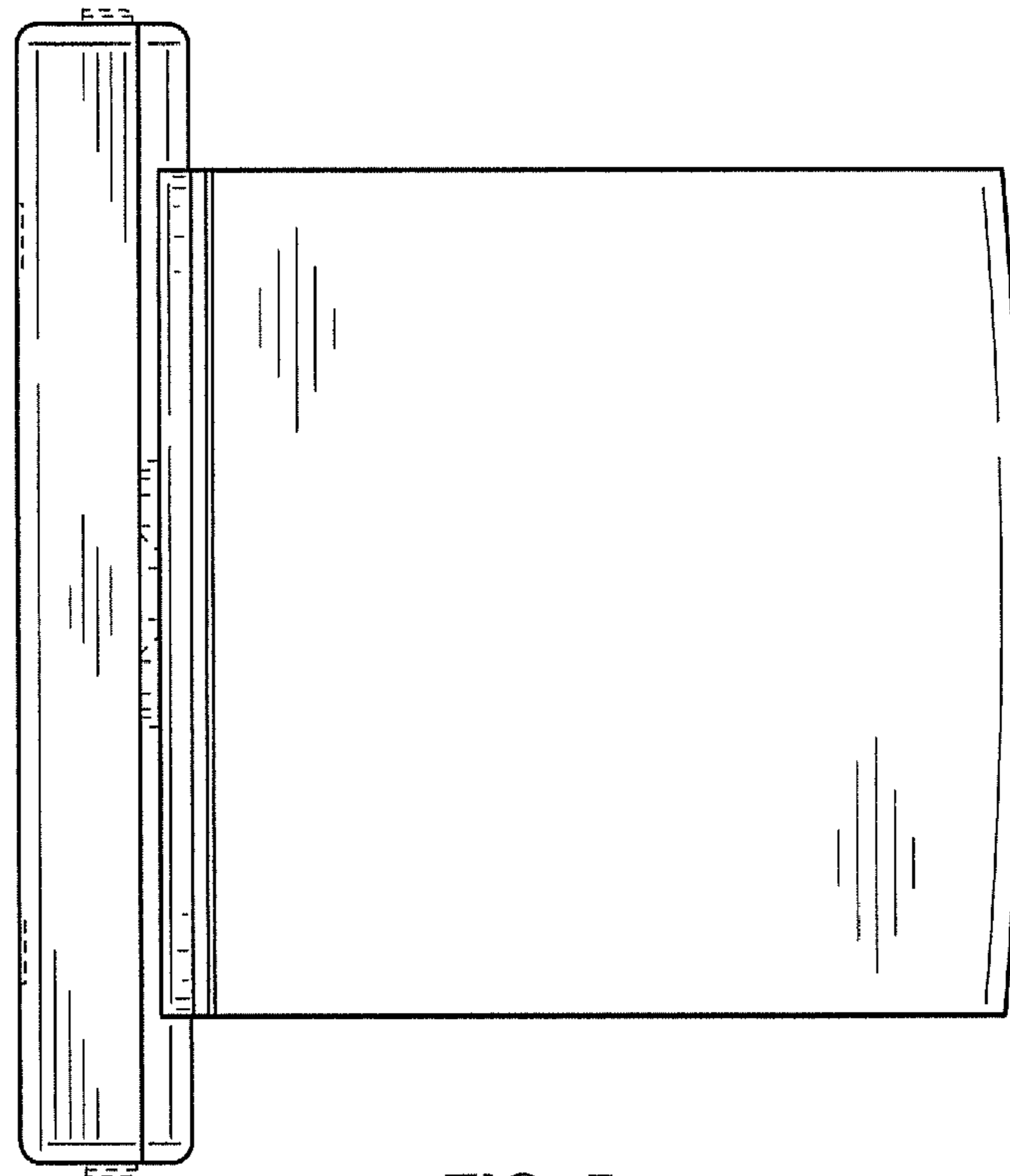


FIG. 5

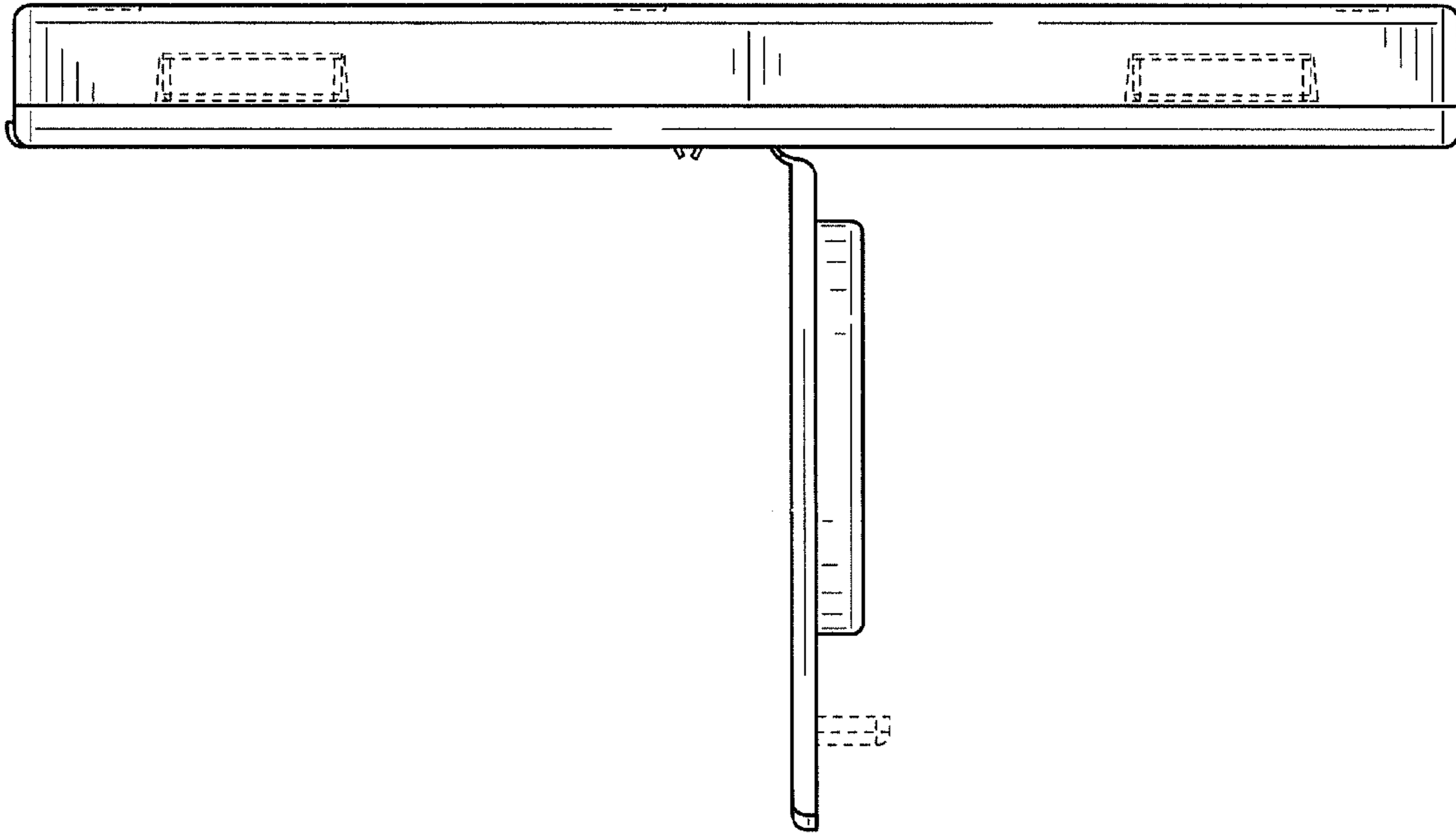


FIG. 6

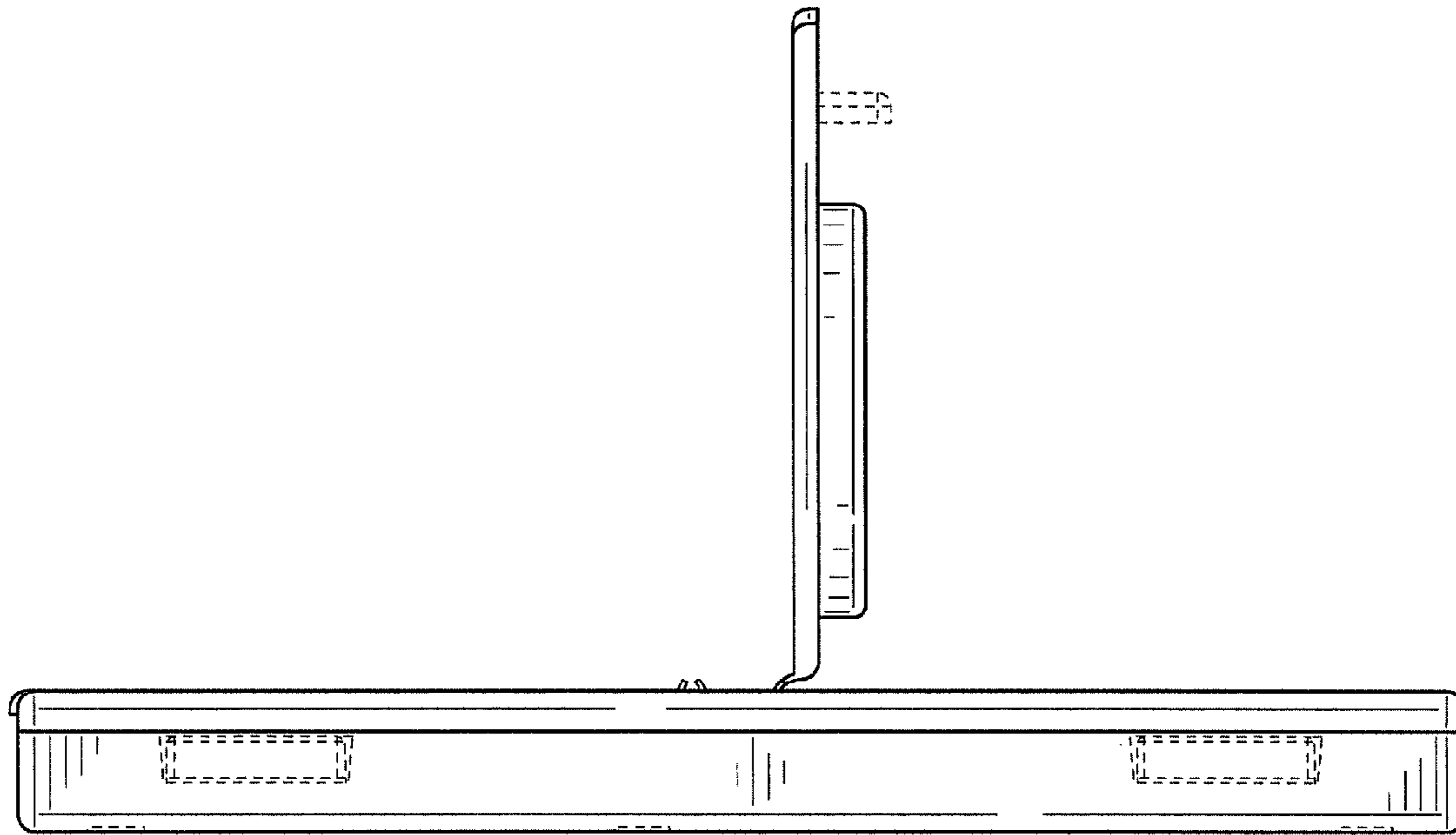


FIG. 7

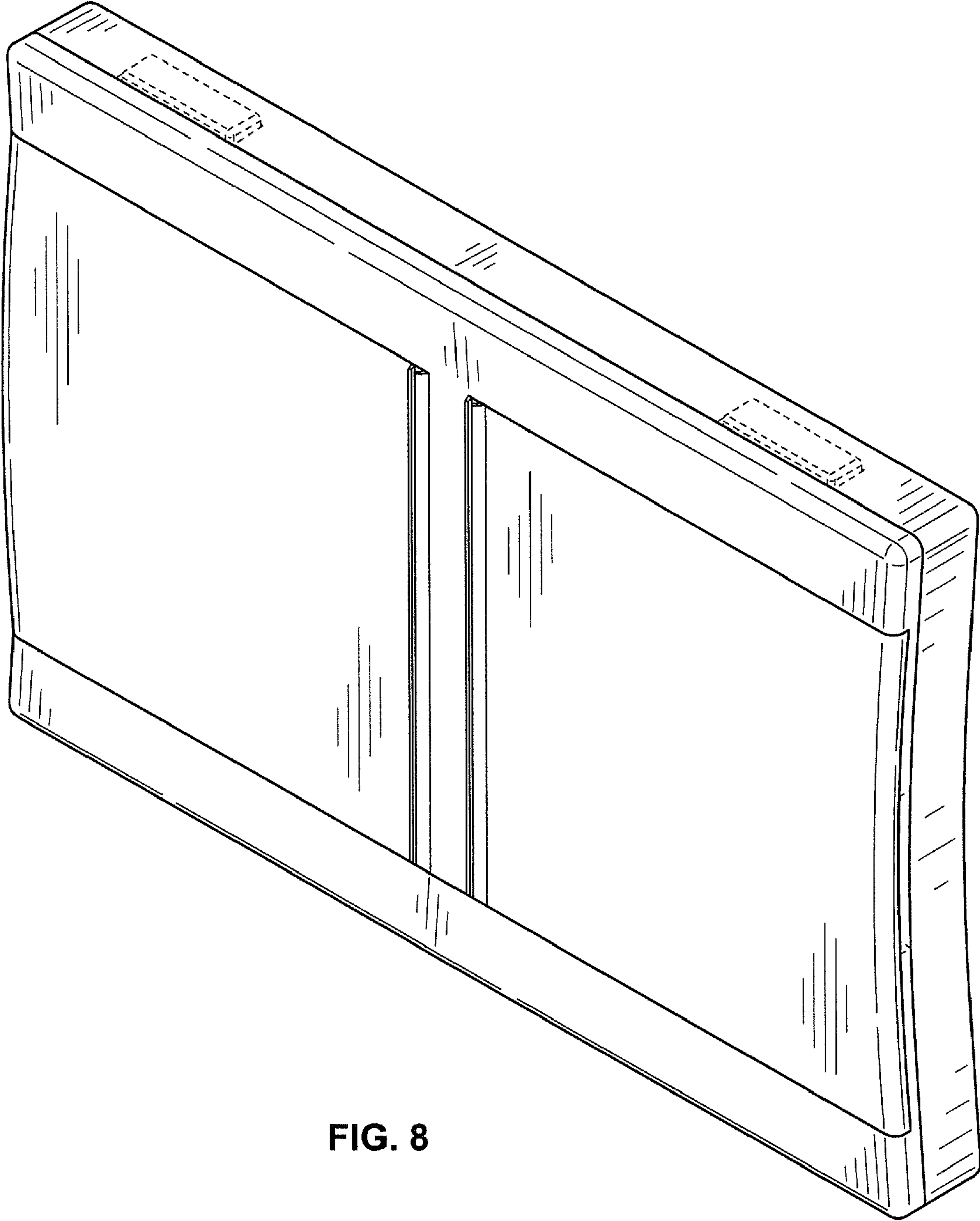


FIG. 8

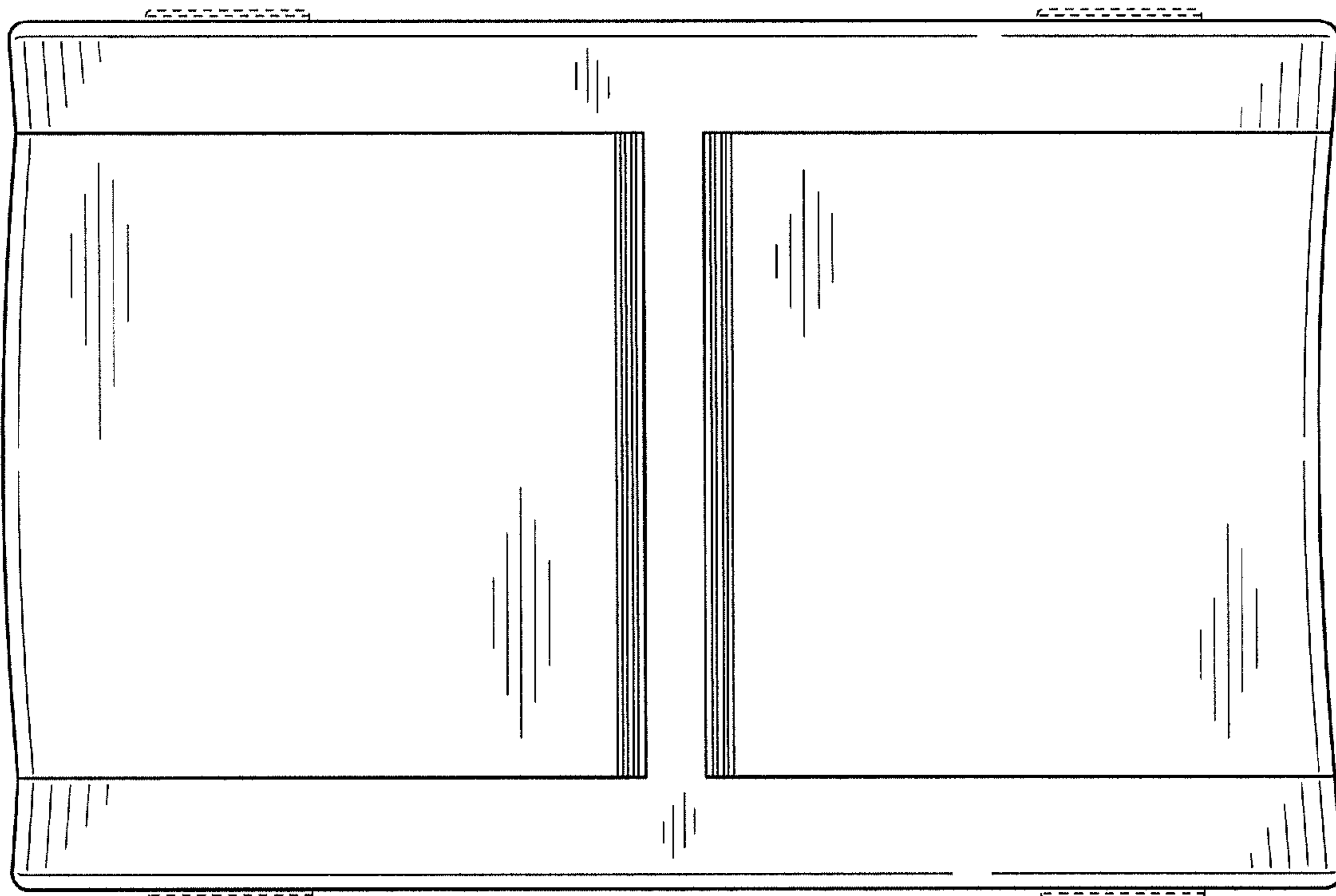


FIG. 9

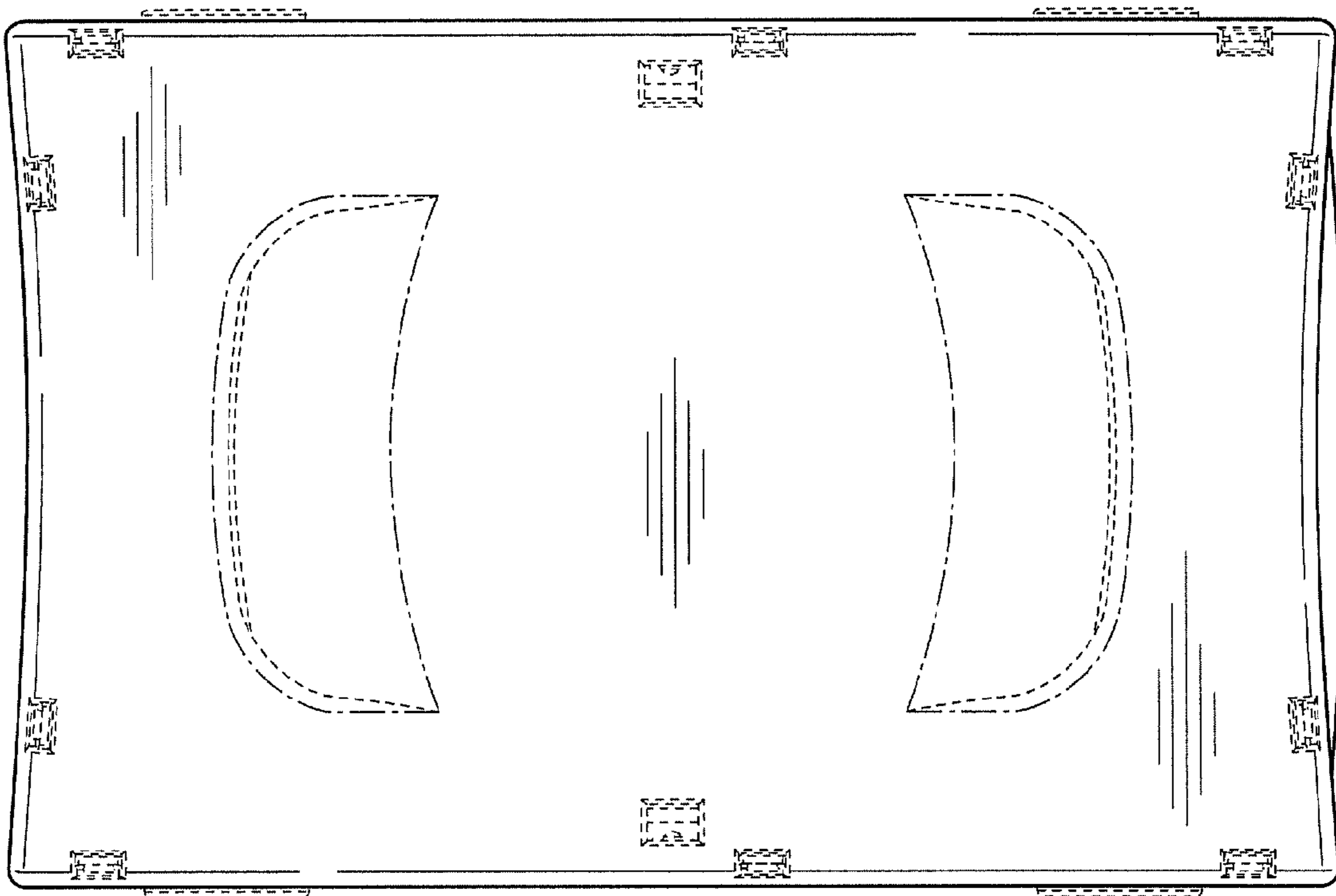


FIG. 10

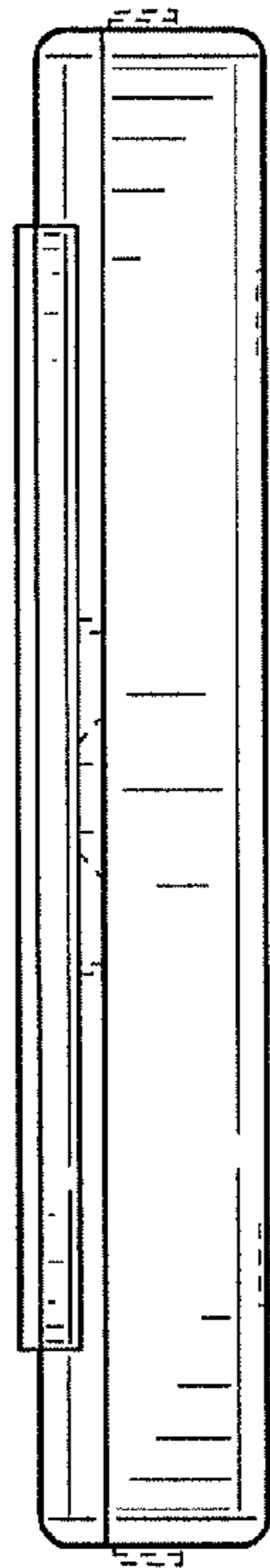


FIG. 11

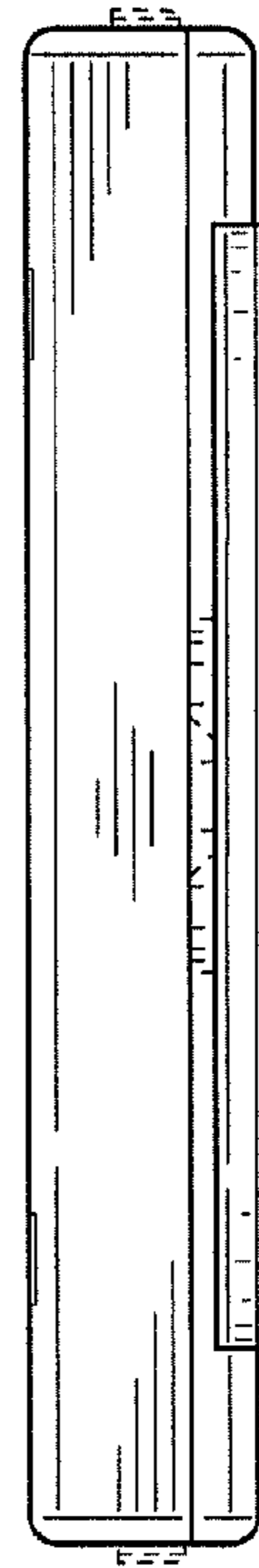


FIG. 12

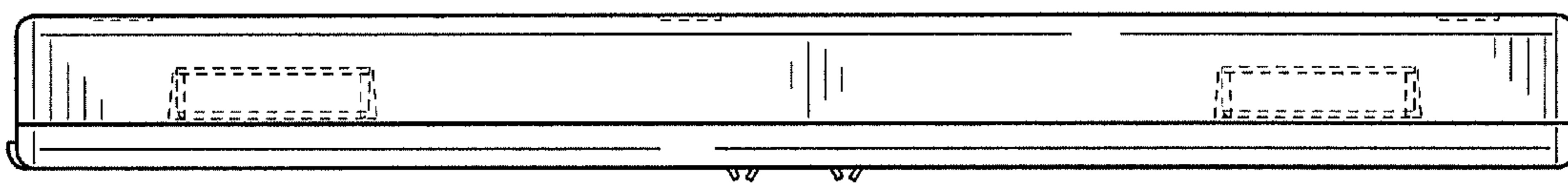


FIG. 13

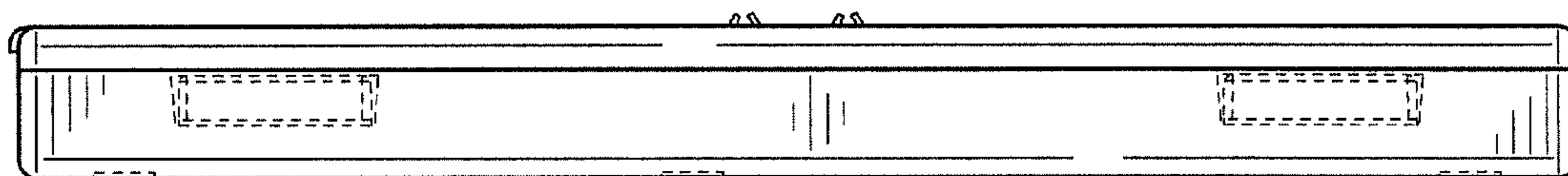


FIG. 14