

US00D621695S

(12) **United States Design Patent**
Van Solkema

(10) **Patent No.:** **US D621,695 S**

(45) **Date of Patent:** **** Aug. 17, 2010**

(54) **PRESS FIT DOOR PEEPHOLE COVER**

(75) Inventor: **Gary Van Solkema**, Bryon Center, MI (US)

(73) Assignee: **Privacy Logic LLC**, Byron Center, MI (US)

(**) Term: **14 Years**

(21) Appl. No.: **29/359,478**

(22) Filed: **Apr. 12, 2010**

(51) **LOC (9) Cl.** **08-09**

(52) **U.S. Cl.** **D8/400**

(58) **Field of Classification Search** D8/400-499;
16/86 B, 85, 137, 342, 375; D13/156; D25/48;
49/171, 163; 359/504; 52/106
See application file for complete search history.

(56) **References Cited**

U.S. PATENT DOCUMENTS

D6,614 S	4/1873	Bringman	
D27,719 S *	10/1897	Brown	D6/580
593,160 A	11/1897	Jones	
593,993 A	11/1897	Elwood	
D32,622 S	5/1900	Webb	
D49,828 S	5/1916	Lowy	
1,715,154 A *	5/1929	Walsh	49/171
1,896,908 A	2/1933	Loock	
2,387,133 A	10/1945	Foster	
D147,482 S	9/1947	Winterfeld	
2,586,978 A	2/1952	Murray	
3,973,835 A	8/1976	Miyakawa et al.	
4,060,100 A	11/1977	Miller et al.	
4,137,680 A	2/1979	Doonan	
D259,466 S *	6/1981	Doonan	D8/499
D261,357 S	10/1981	Doonan	

4,457,050 A *	7/1984	Kanzaka	24/108
4,763,444 A	8/1988	Ritchie	
D372,104 S	7/1996	Scott	
D402,765 S *	12/1998	Smith et al.	D24/231
D416,631 S *	11/1999	Schimmelpfennig et al.	D25/135
6,125,785 A *	10/2000	Asheri	116/148
6,779,305 B2	8/2004	Harter	
D590,242 S *	4/2009	Carter	D8/385
2009/0225558 A1 *	9/2009	Atkinson	362/419

* cited by examiner

Primary Examiner—Robert M Spear

Assistant Examiner—Barbara Fox

(74) *Attorney, Agent, or Firm*—Helmholdt Law PLC;
Thomas D. Helmholdt

(57) **CLAIM**

The ornamental design for a press fit door peephole cover, as shown and described.

DESCRIPTION

FIG. 1 is a right-side elevational view of a press fit door peephole cover embodying the ornamental design constituting my invention, the left-side elevational view being a mirror image of the right-side elevational view;

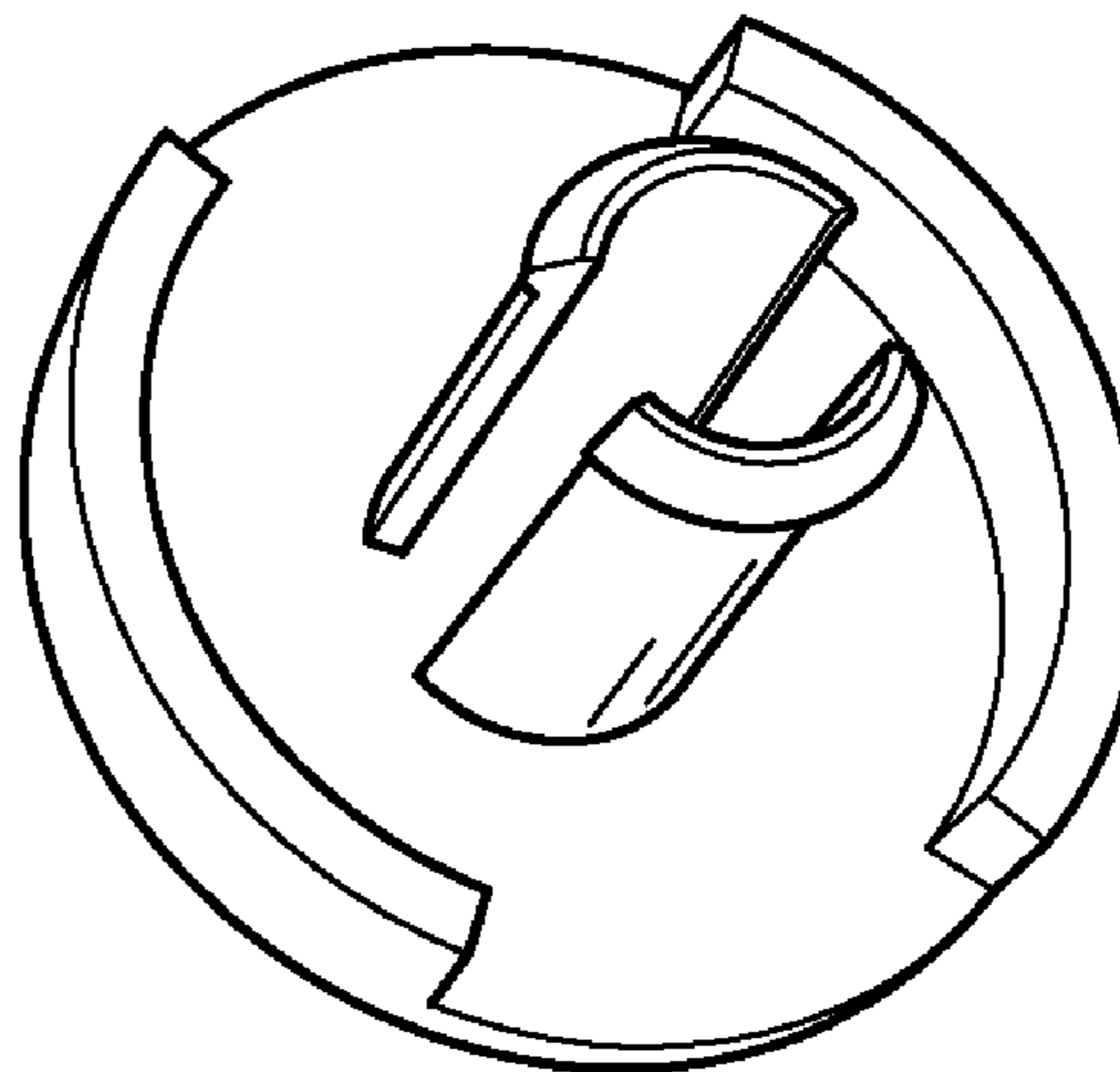
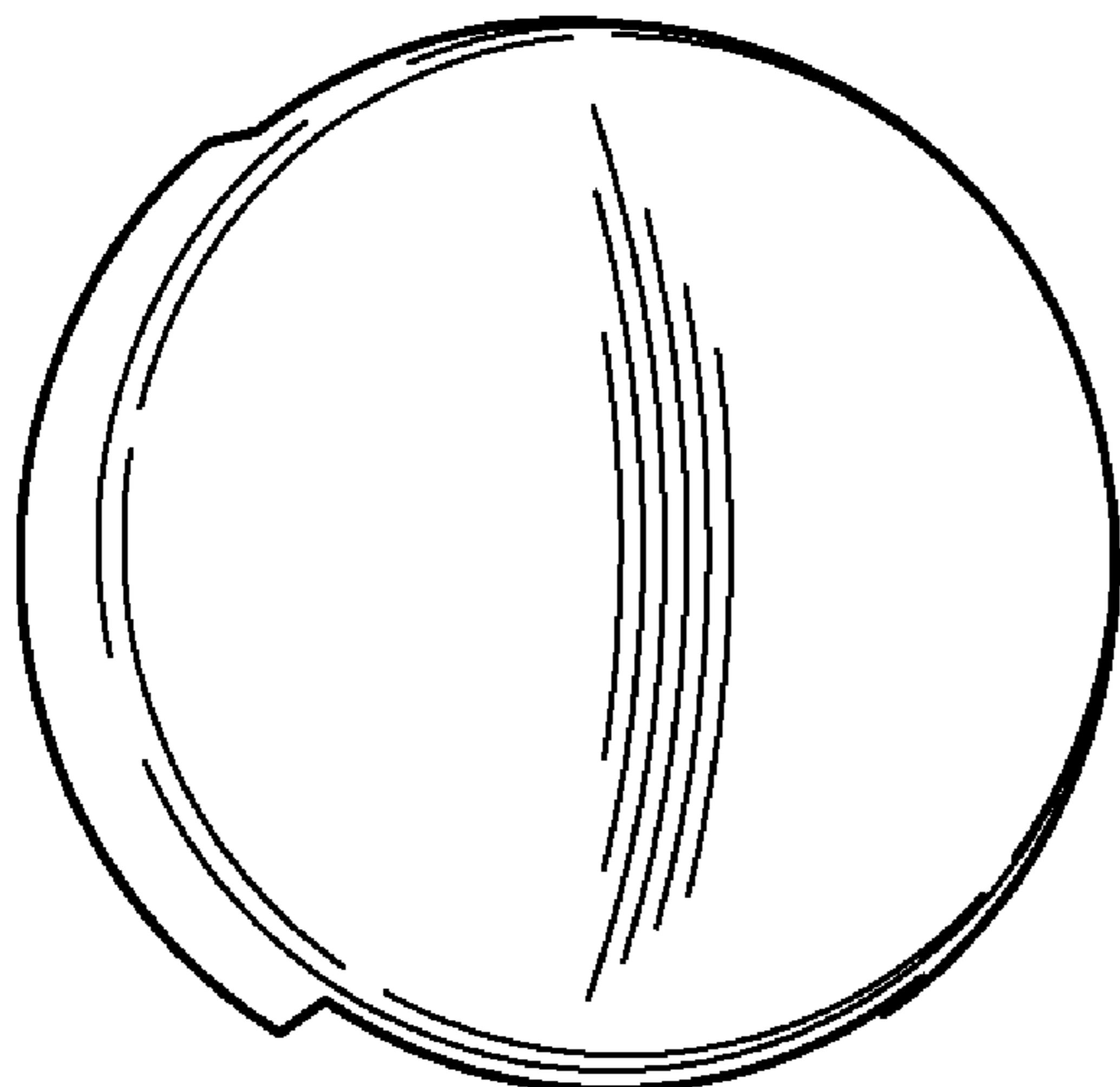
FIG. 2 is a perspective view of the cover illustrated in FIG. 1 showing a front face;

FIG. 3 is a bottom view of the cover illustrated in FIGS. 1-2, the top view being a mirror image of the bottom view; and,

FIG. 4 is a perspective view of the cover showing a rear face of the cover illustrated in FIGS. 1-3.

The broken lines shown in FIG. 1 of a door and peephole represent environmental structure and form no part of the claimed design.

1 Claim, 1 Drawing Sheet



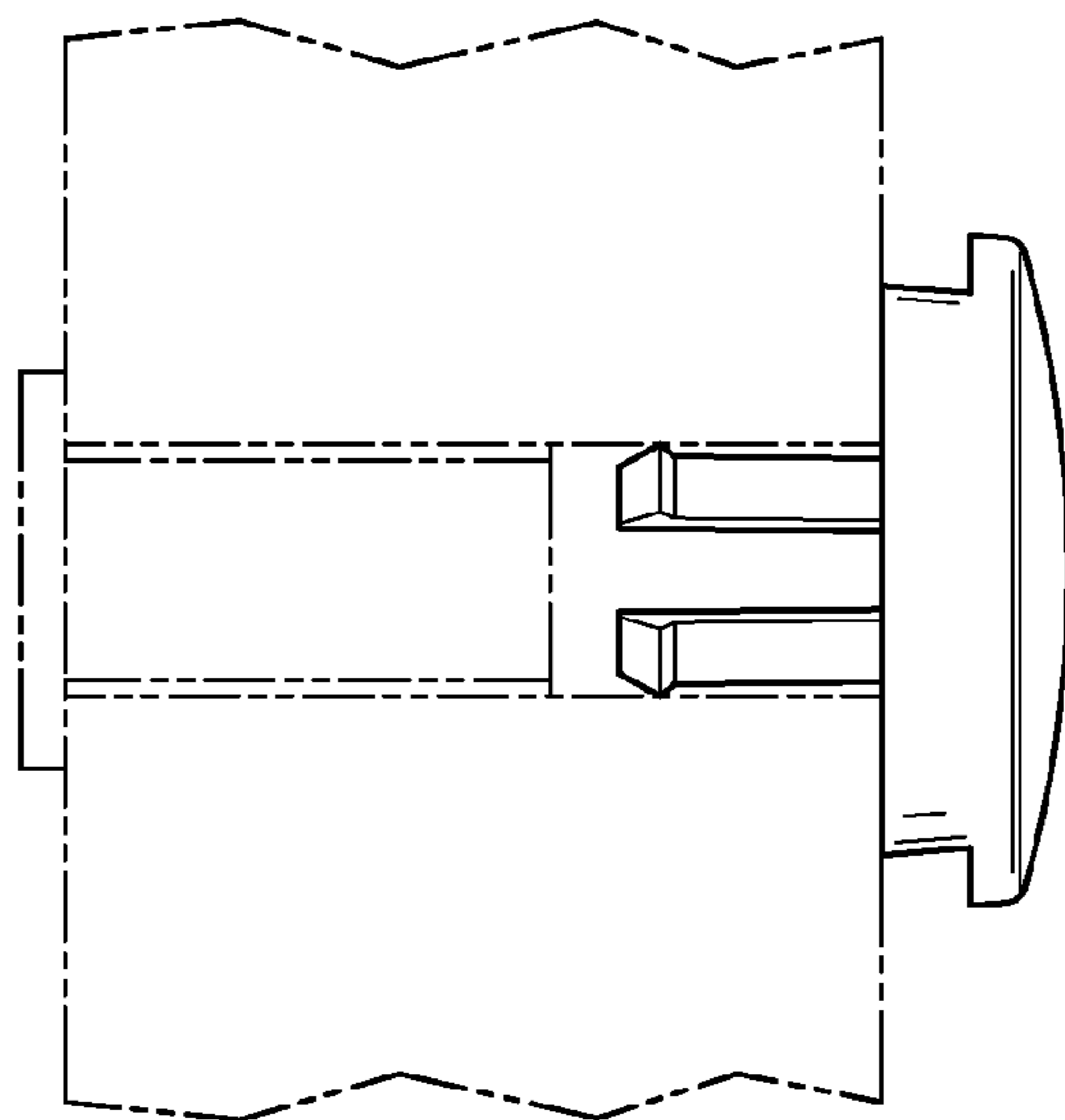


FIG. 1

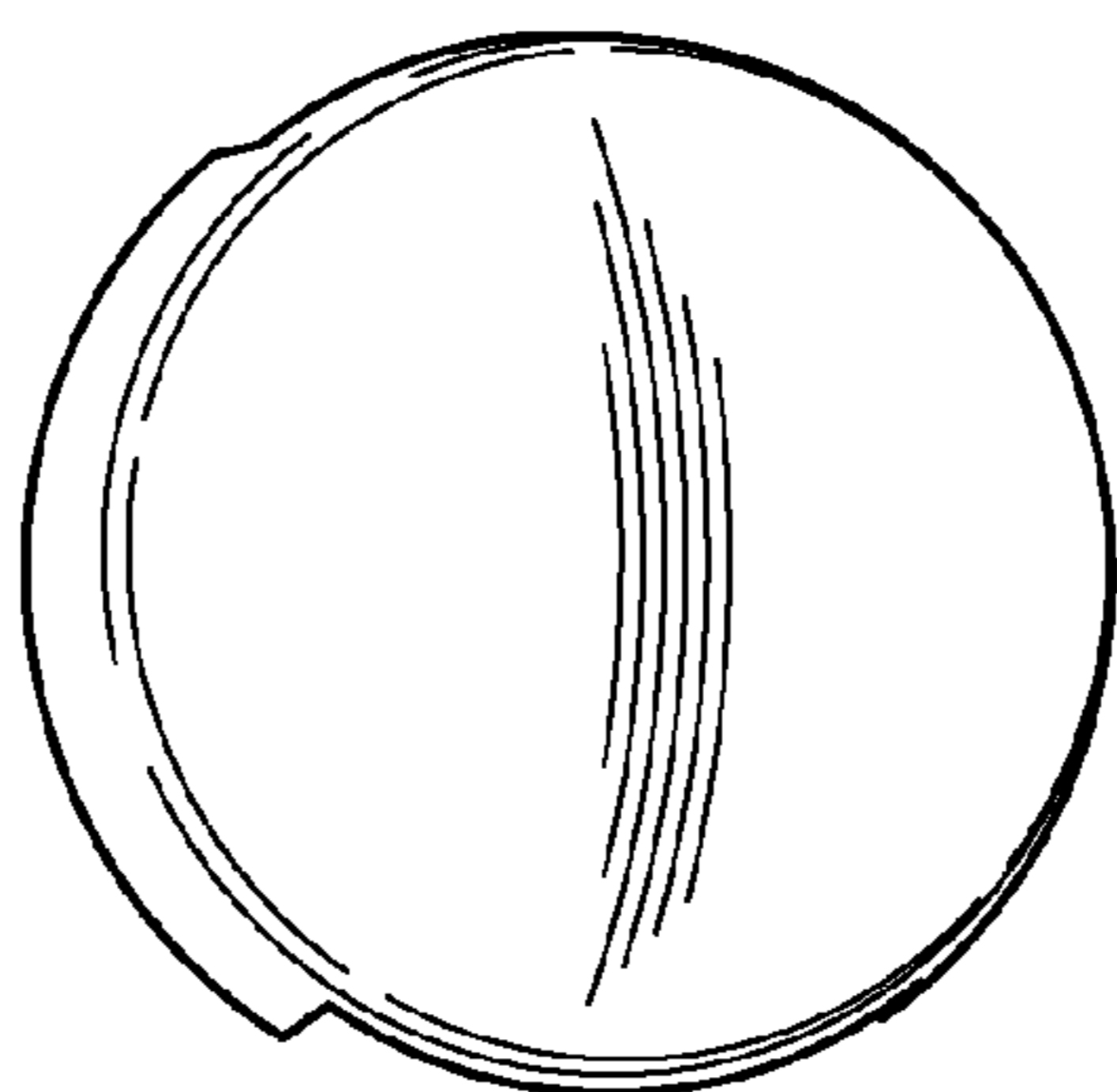


FIG. 2

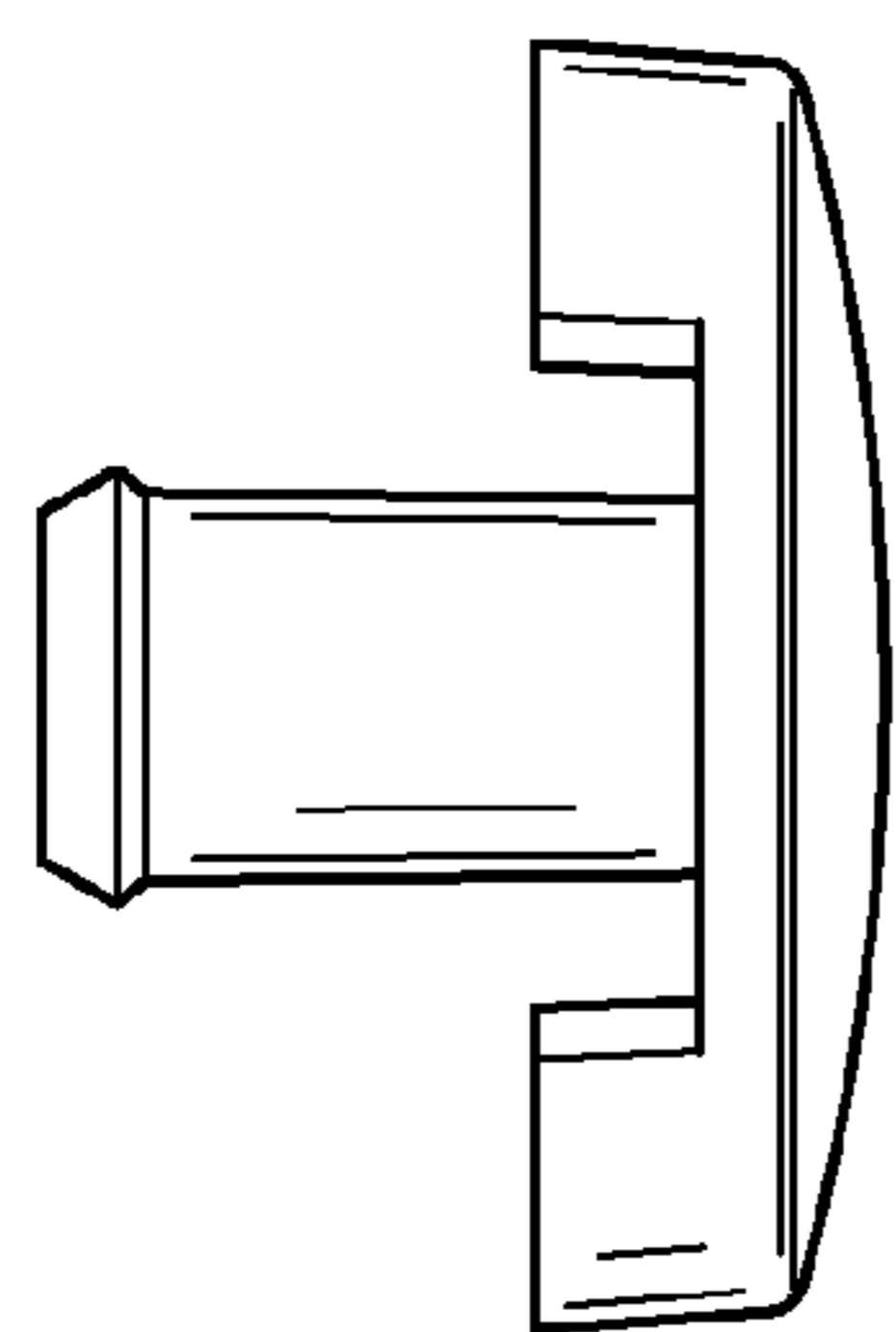


FIG. 3

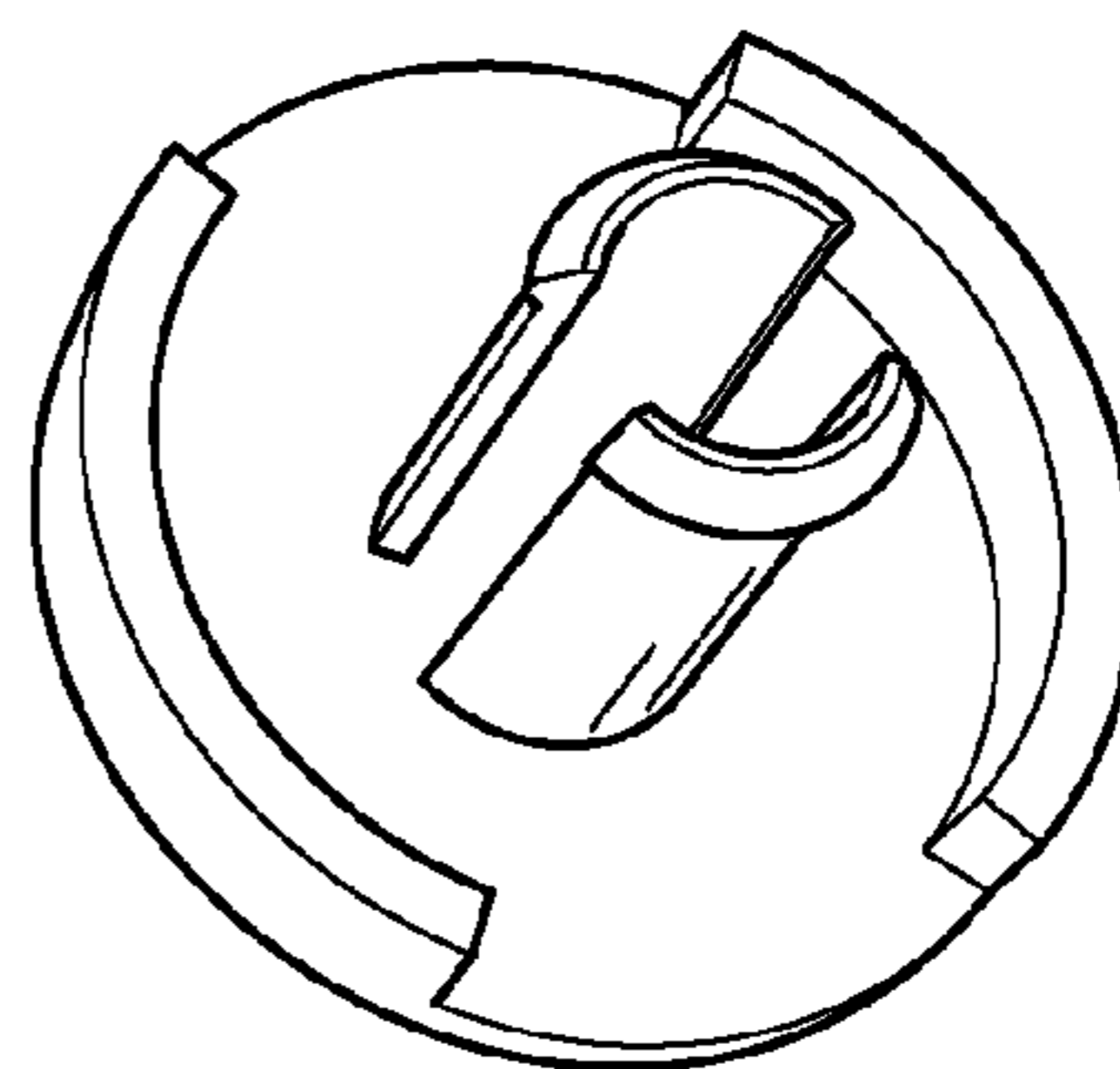


FIG. 4