



US00D621692S

(12) **United States Design Patent**  
**Clarke**

(10) **Patent No.:** **US D621,692 S**  
(45) **Date of Patent:** **\*\* Aug. 17, 2010**

(54) **TOP PLATE COMPONENT FOR OVERLAPPING BLIND SYSTEM**

(75) Inventor: **Kevin Clarke**, Melbourne (AU)

(73) Assignee: **Designed Blinds Australia Pty Ltd** (AU)

(\*\*) Term: **14 Years**

(21) Appl. No.: **29/337,164**

(22) Filed: **May 15, 2009**

(51) **LOC (9) Cl.** ..... **08-05**

(52) **U.S. Cl.** ..... **D8/354**

(58) **Field of Classification Search** ..... D8/349,  
D8/354, 356, 380; D25/119, 121; 248/200-201,  
248/205.1, 68.1, 74.1, 74.2, 300

See application file for complete search history.

(56) **References Cited**

**U.S. PATENT DOCUMENTS**

D40,481 S 2/1910 Wright et al.

(Continued)

**OTHER PUBLICATIONS**

Notice of Allowance and Notice of Allowability mailed Feb. 25, 2009 in co-pending U.S. Appl. No. 29/318,079, "Bracket for Overlapping Window Roller Blinds," (5 pages).

(Continued)

*Primary Examiner*—Elizabeth A Albert

*Assistant Examiner*—Kelley A Donnelly

(74) *Attorney, Agent, or Firm*—Pauly, DeVries Smith & Deffner, L.L.C.

(57) **CLAIM**

The ornamental design for a top plate component for overlapping blind system, as shown and described.

**DESCRIPTION**

FIG. 1 is a perspective view of a top plate component for overlapping blind system;

FIG. 2 is a front elevation view thereof;

FIG. 3 is a left side elevation view thereof;

FIG. 4 is a left side elevation view thereof;

FIG. 5 is a right side elevation view thereof;

FIG. 6 is a top plan view thereof;

FIG. 7 is a bottom plan view thereof;

FIG. 8 is a perspective view of a second embodiment of a top plate component for overlapping blind system;

FIG. 9 is a front elevation view thereof;

FIG. 10 is a rear elevation view thereof;

FIG. 11 is a left side elevation view thereof;

FIG. 12 is a right side elevation view thereof;

FIG. 13 is a top plan view thereof;

FIG. 14 is a bottom plan view thereof;

FIG. 15 is a perspective view of a third embodiment of a top plate component for overlapping blind system;

FIG. 16 is a front elevation view thereof;

FIG. 17 is a rear elevation view thereof;

FIG. 18 is a left side elevation view thereof;

FIG. 19 is a right side elevation view thereof;

FIG. 20 is a top plan view thereof; and,

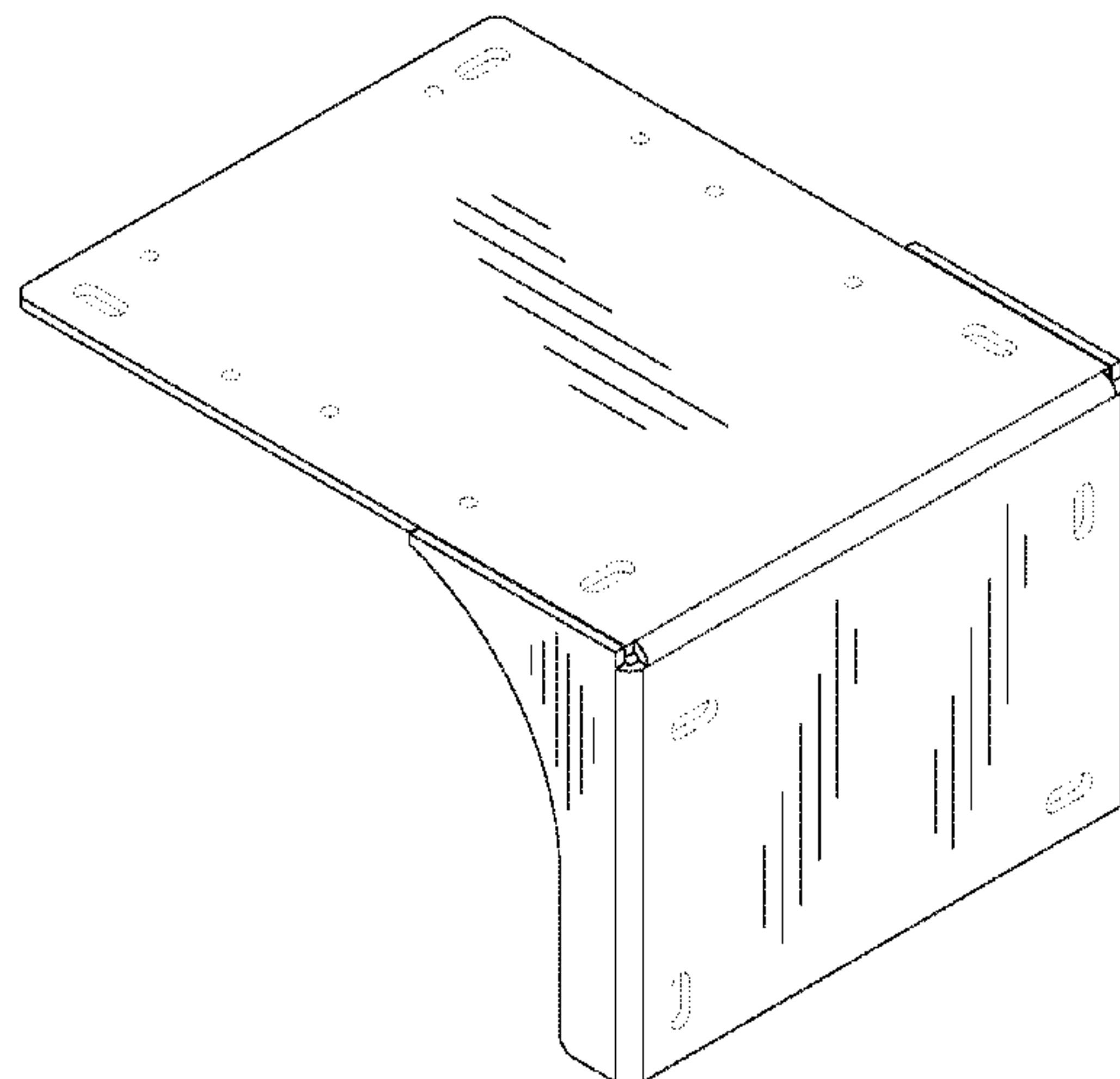
FIG. 21 is a bottom plan view thereof.

The broken lines showing is included for the purpose of illustrating environment and forms no part of the claimed design.

The break lines on the edges of FIGS. 15-21 are not part of the claimed design and represent that no particular length is claimed.

The claim includes further embodiments which are mirror images of the top plates shown in FIGS. 1-21.

**1 Claim, 21 Drawing Sheets**



# US D621,692 S

Page 2

## U.S. PATENT DOCUMENTS

1,119,839	A *	12/1914	Kuhn	.....	439/135	7,429,023	B2 *	9/2008	Morrow	.....	248/300
D74,722	S	3/1928	Crawford			D588,441	S	3/2009	Clarke		
D142,539	S	10/1945	White			7,533,508	B1 *	5/2009	diGirolamo et al.	.....	52/481.1
D142,540	S	10/1945	White			D594,261	S *	6/2009	Maxwell	.....	D6/574
2,526,393	A	10/1950	Nelson			D598,272	S *	8/2009	Tejszerski	.....	D8/349
2,679,373	A	5/1954	Henley			2008/0283702	A1 *	11/2008	Ikerd	.....	248/228.1
2,770,437	A	11/1956	Pasch								
4,136,847	A	1/1979	Murray								
D253,162	S	10/1979	Sheehan								
4,283,034	A	8/1981	Sheehan								
4,335,865	A	6/1982	Cormier								
4,964,604	A	10/1990	Lombard								
D323,777	S *	2/1992	Knox, III	.....	D8/380						
D338,637	S	8/1993	Shenkar								
D355,093	S	2/1995	Morris								
D397,606	S	9/1998	Tameling								
5,810,303	A *	9/1998	Bourassa et al.	.....	248/205.1						
D408,722	S	4/1999	Sartini								
D427,440	S *	7/2000	Rowan	.....	D6/300						
D431,770	S *	10/2000	Willet	.....	D8/354						
D432,901	S *	10/2000	McDonald	.....	D8/354						
D440,447	S	4/2001	Horsten								
D442,471	S *	5/2001	Willett	.....	D8/354						
D449,220	S	10/2001	Wurdack								
6,311,449	B1 *	11/2001	Morse et al.	.....	52/702						
6,499,709	B1	12/2002	Parent								
D478,804	S	8/2003	Titus								
6,642,447	B1 *	11/2003	Mailloux	.....	174/50						
6,941,996	B2	9/2005	Ward et al.								
D565,933	S	4/2008	Berry et al.								

## OTHER PUBLICATIONS

Notice of Allowance, Notice of Allowability and form PTO-892 mailed Feb. 13, 2009 in co-pending U.S. Appl. No. 29/322,432, "Bracket for Overlapping Window Roller Blinds," (9 pages).

Notice of Allowance, Notice of Allowability and form PTO-892 mailed Feb. 13, 2009 in co-pending U.S. Appl. No. 29/322,433, "Bracket for Overlapping Window Roller Blinds," (8 pages).

Design Patent Application titled "Bracket for Overlapping Window Roller Blinds", Filed May 13, 2008, U.S. Appl. No. 29/318,079 (5 pages).

Design Patent Application titled "Bracket for Overlapping Window Roller Blinds", Filed Aug. 5, 2008, U.S. Appl. No. 29/322,432 (5 pages).

Design Patent Application titled "Bracket for Overlapping Window Roller Blinds", Filed Aug. 5, 2008, U.S. Appl. No. 29/322,433 (5 pages).

Design Patent Application titled "Overlapping Roller Blind System", Filed Even date herewith, (23 pages).

Design Patent Application titled "Corner Bracket for Overlapping Roller Blind System", Filed Even date herewith, (16 pages).

"Bracket for Dual Window Roller Blinds", Made by Designed Blinds Australia Available before Dec. 13, 2007.

\* cited by examiner

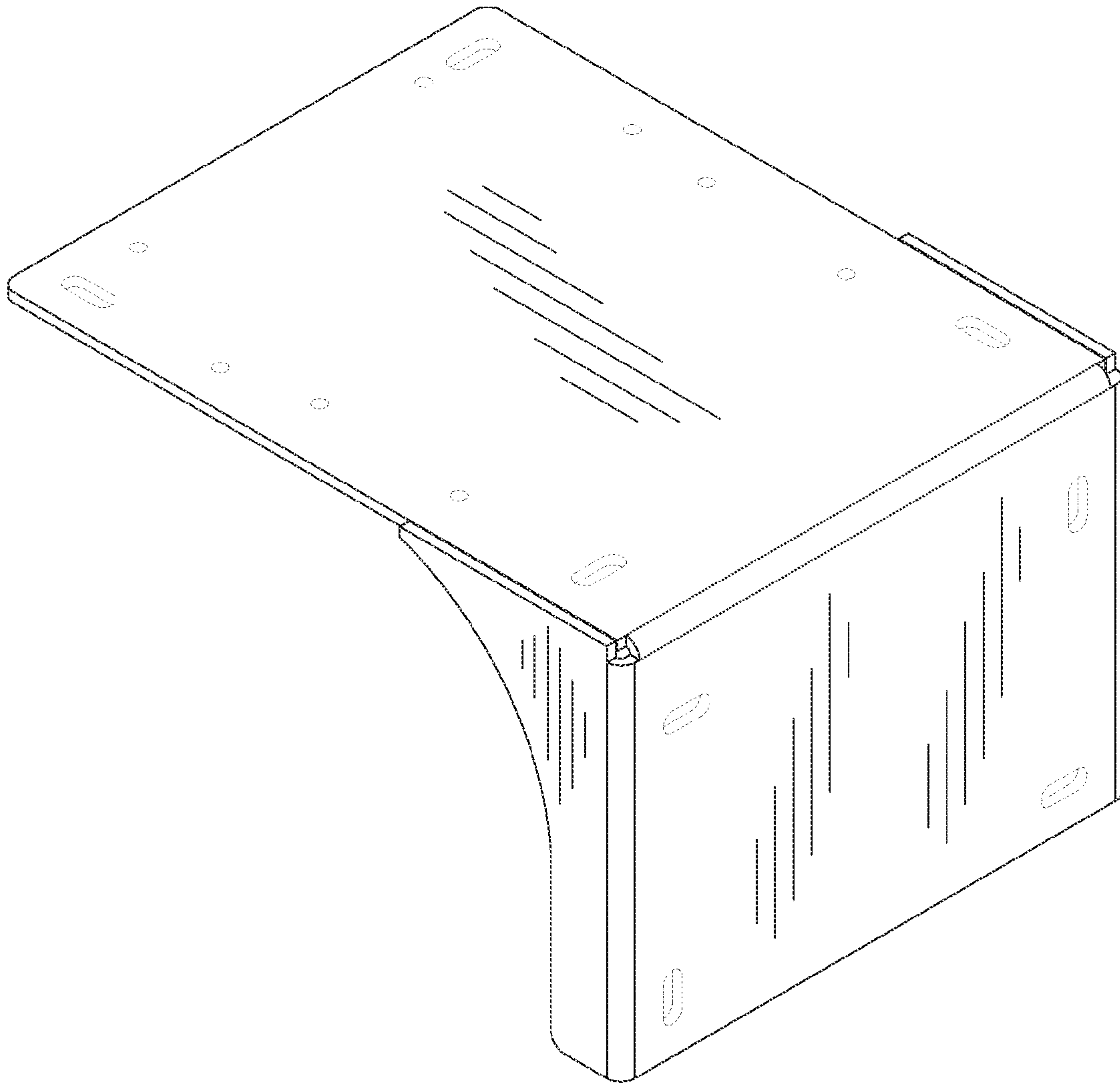


FIG. 1

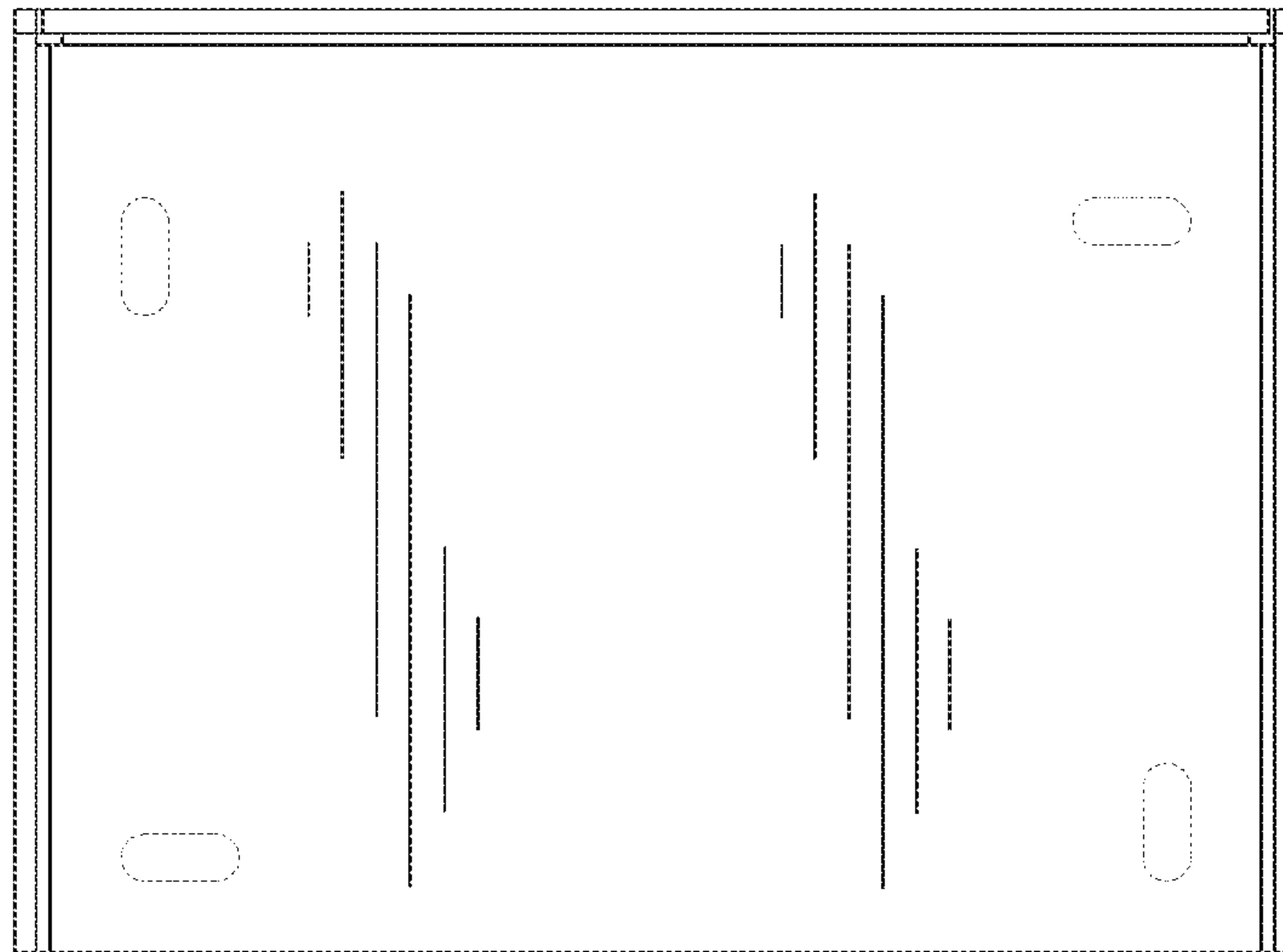


FIG. 2

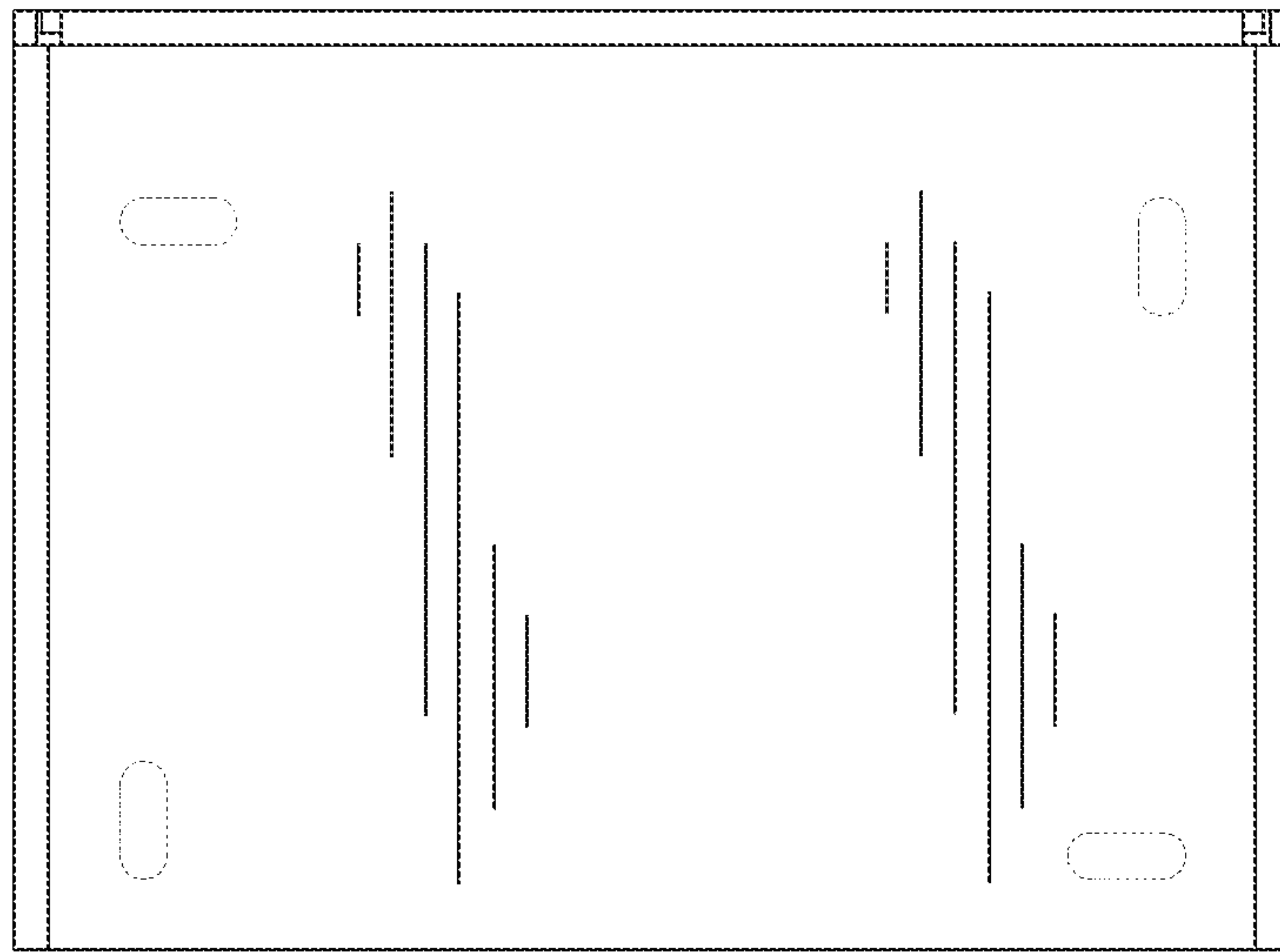


FIG. 3

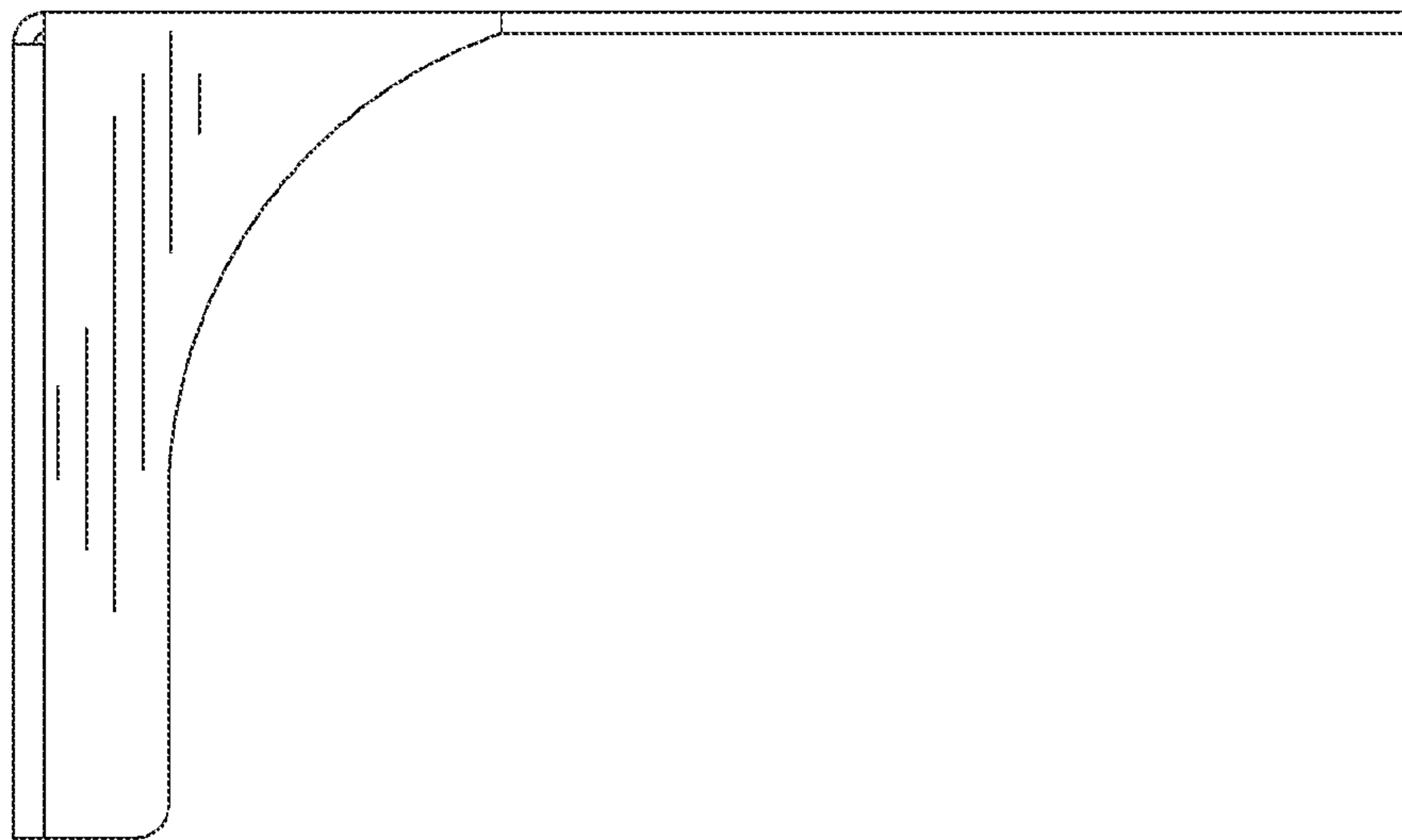


FIG. 4



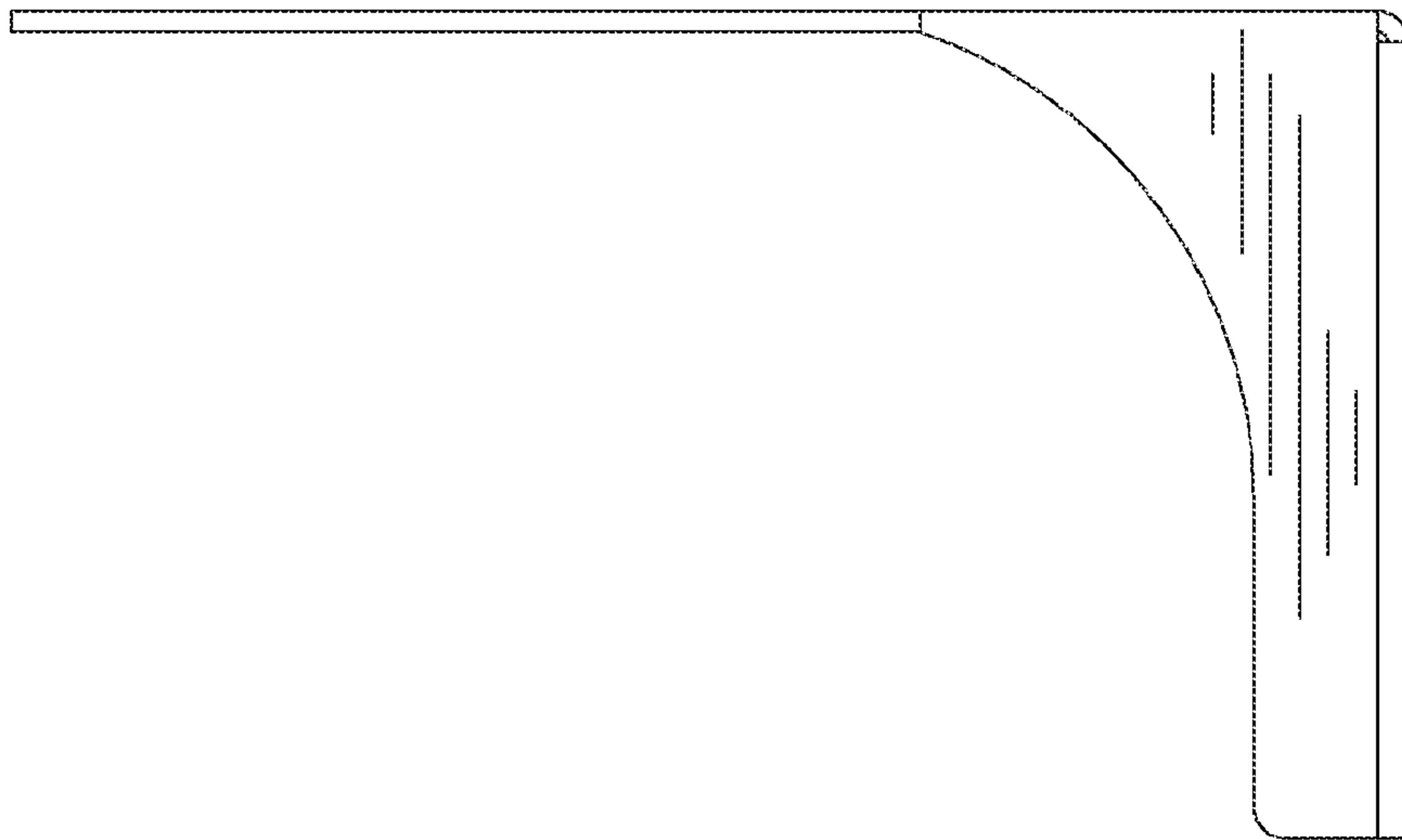


FIG. 5

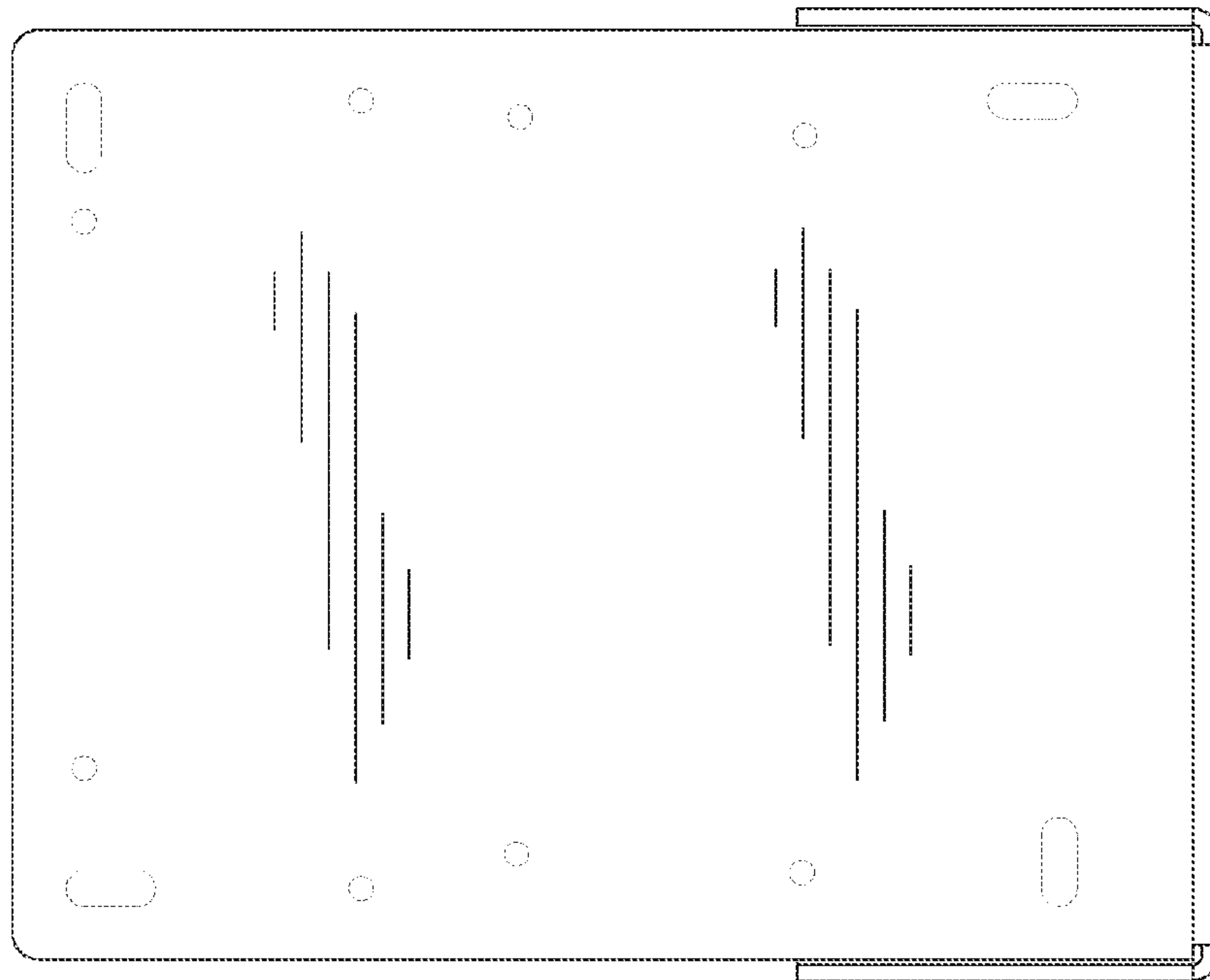


FIG. 6



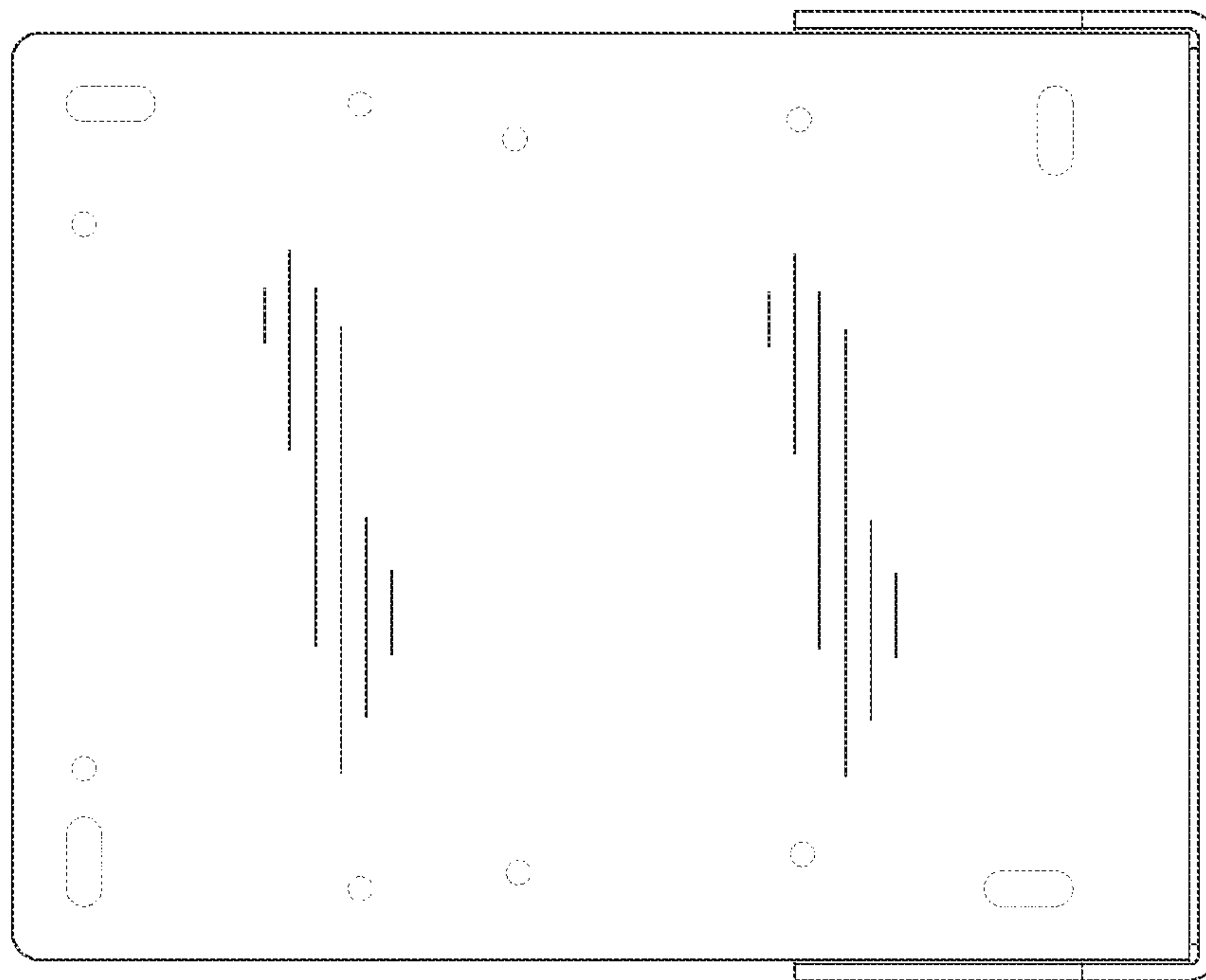


FIG. 7

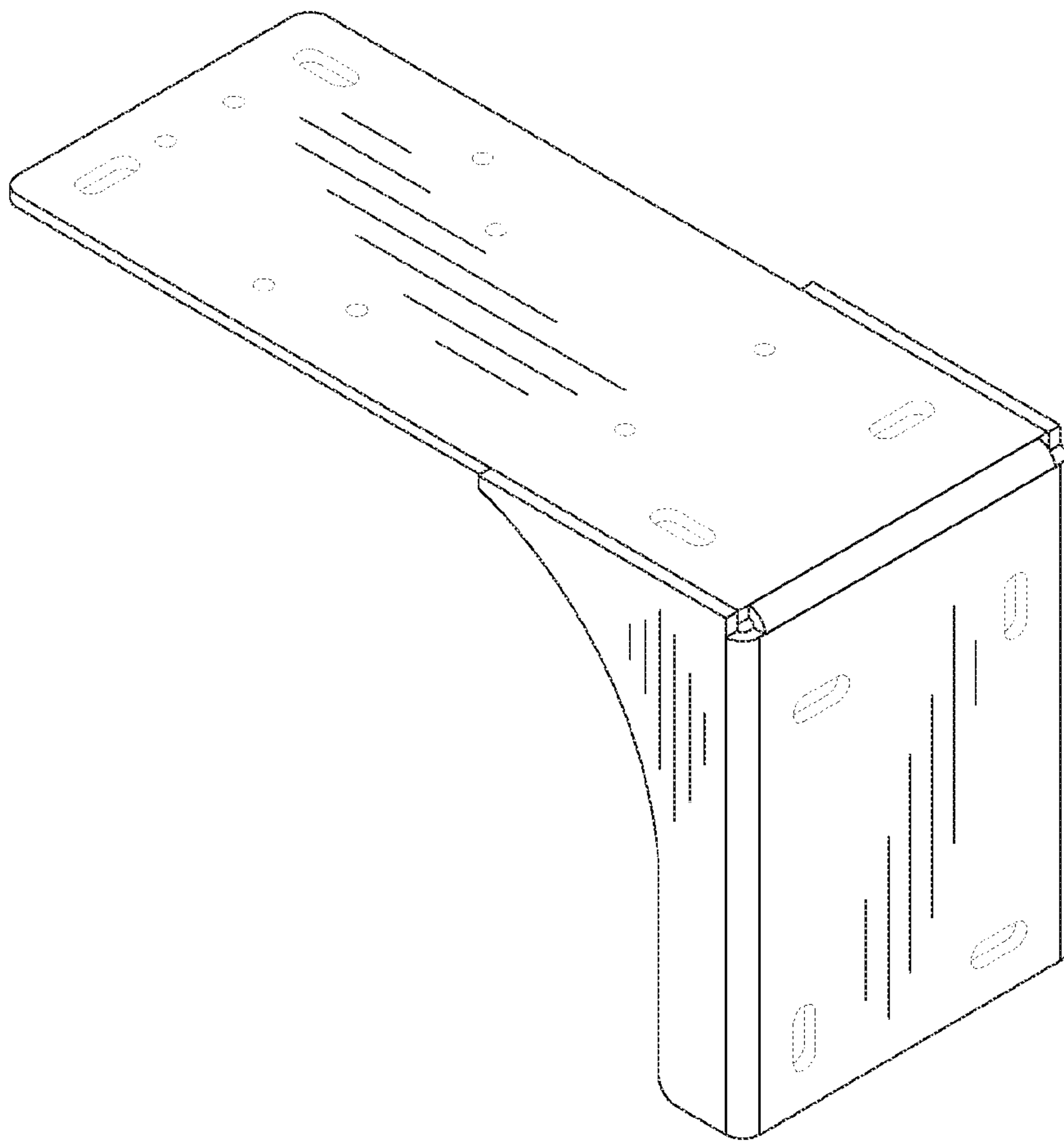


FIG. 8

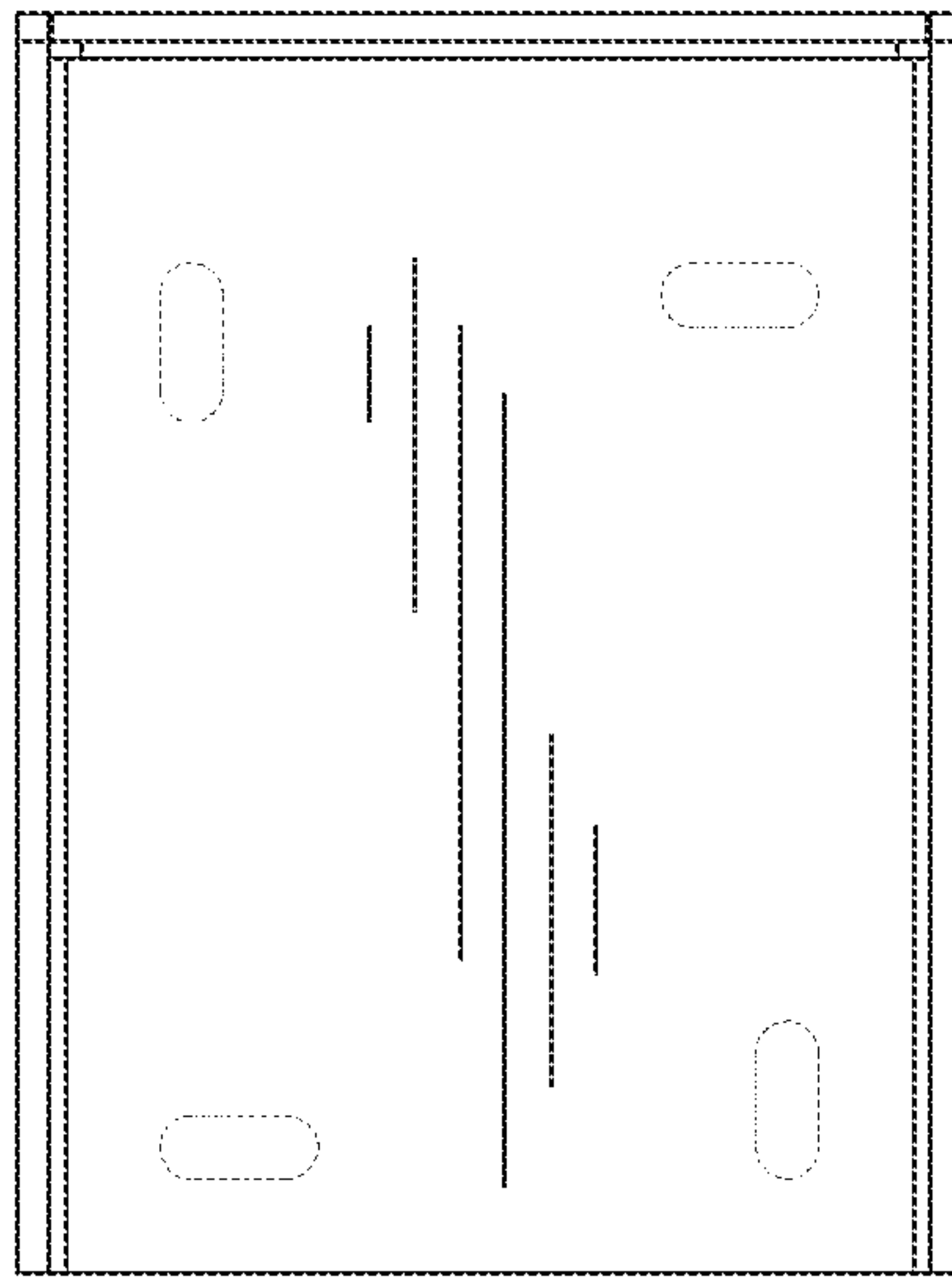


FIG. 9

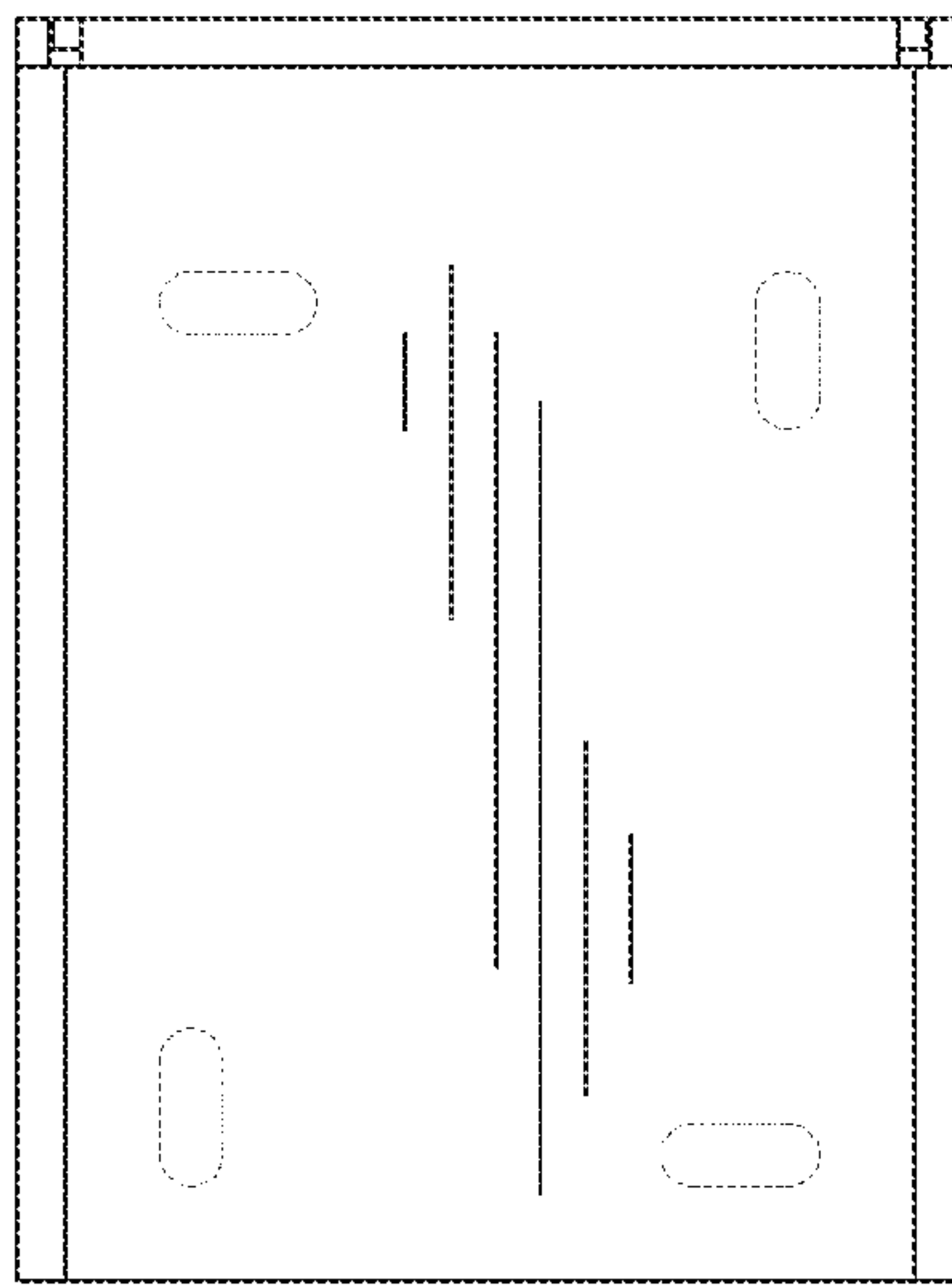


FIG. 10

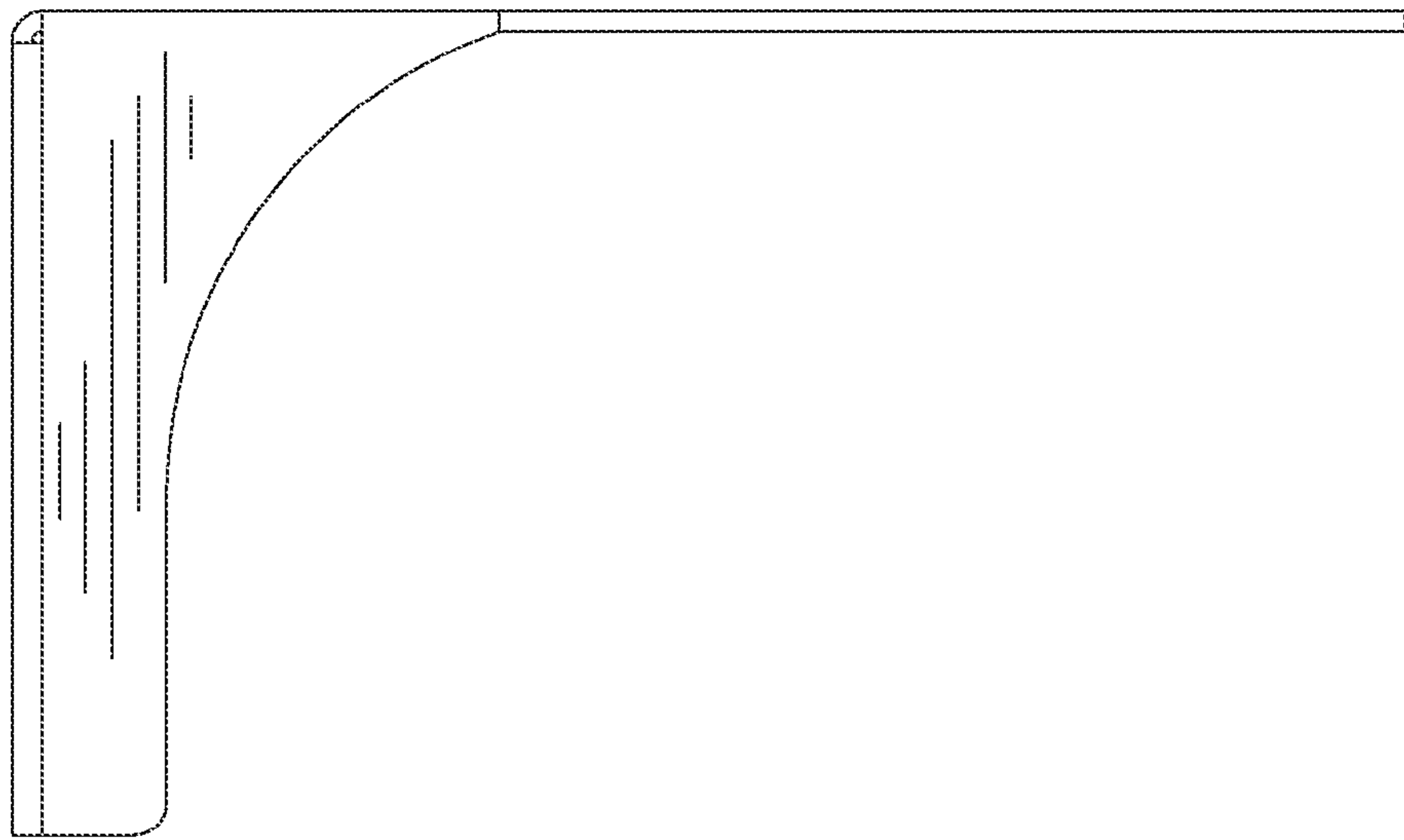


FIG. 11

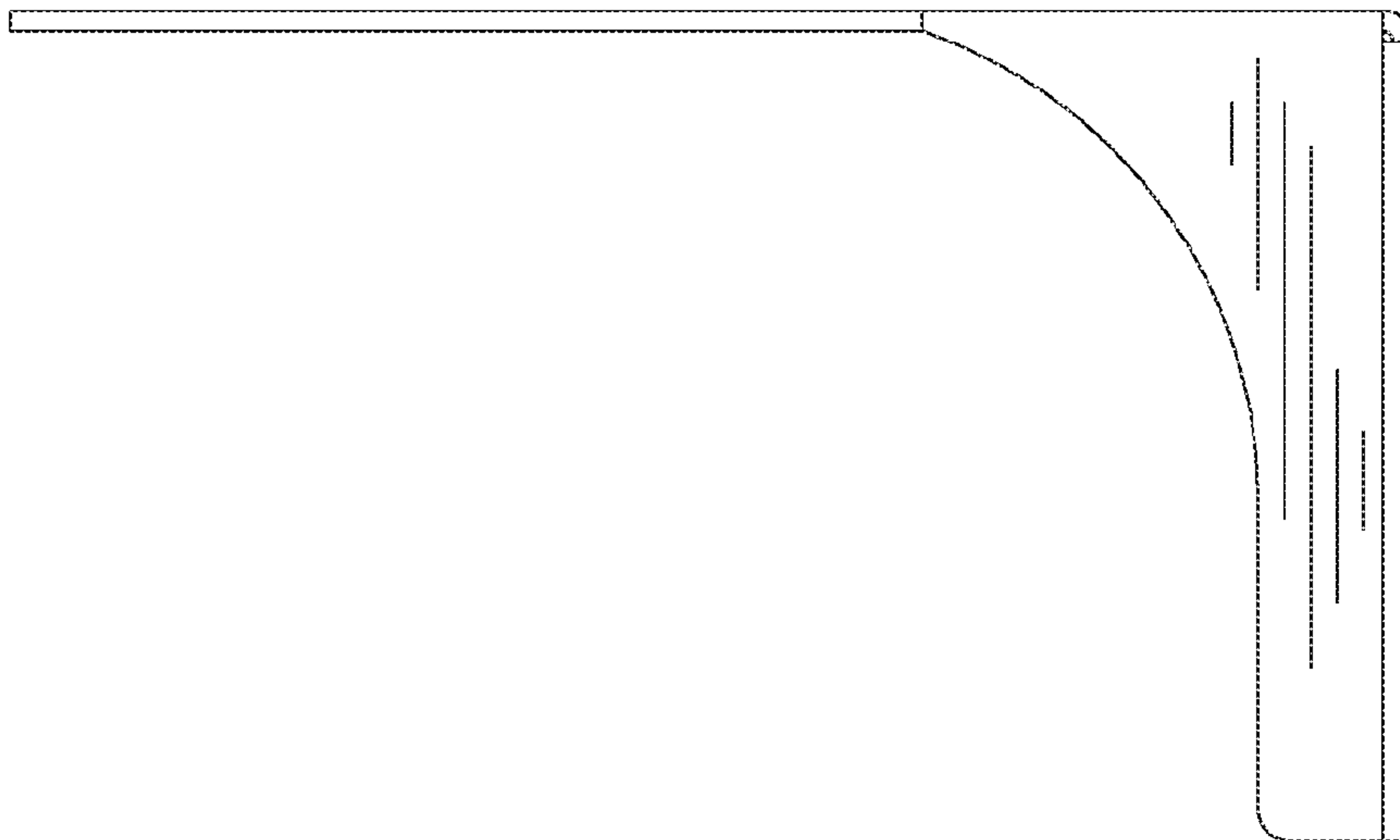


FIG. 12

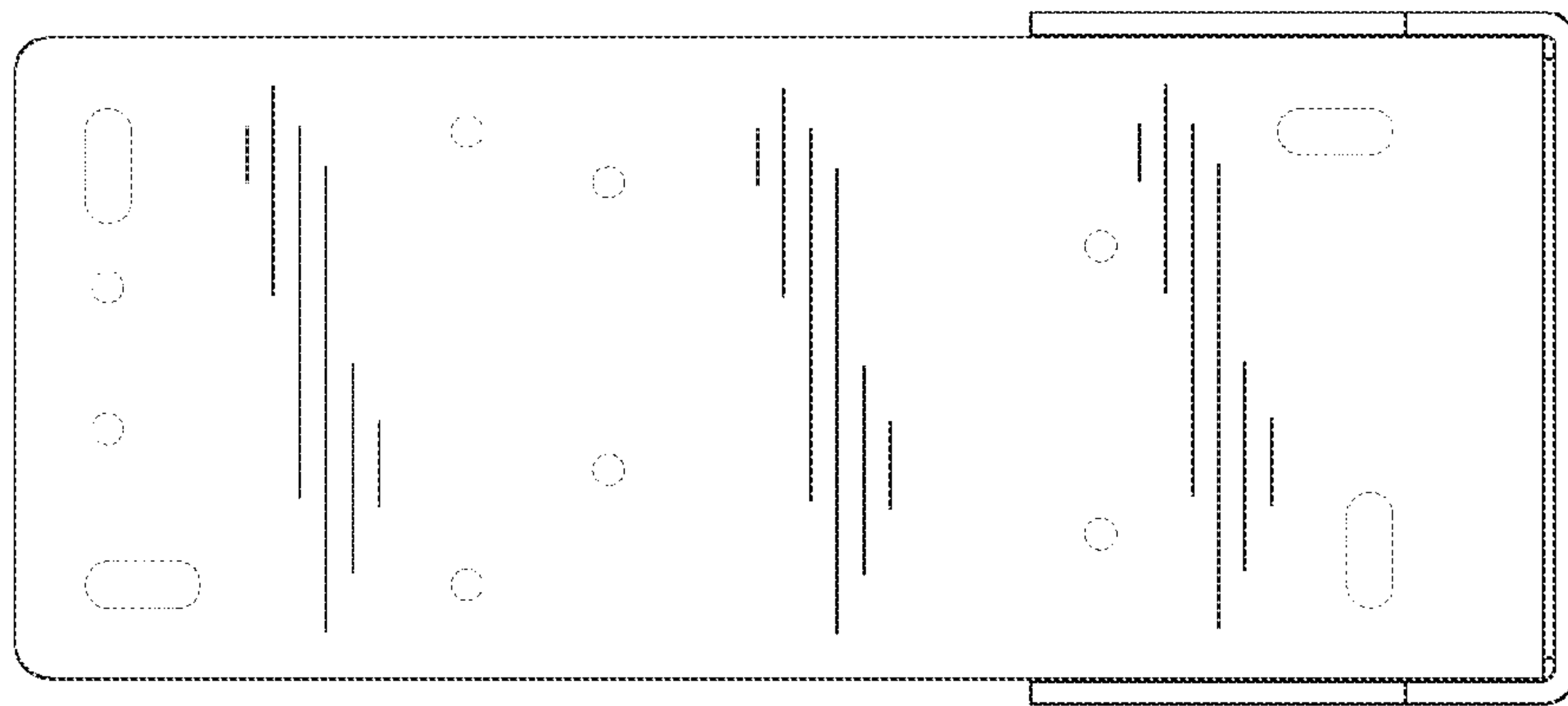


FIG. 13



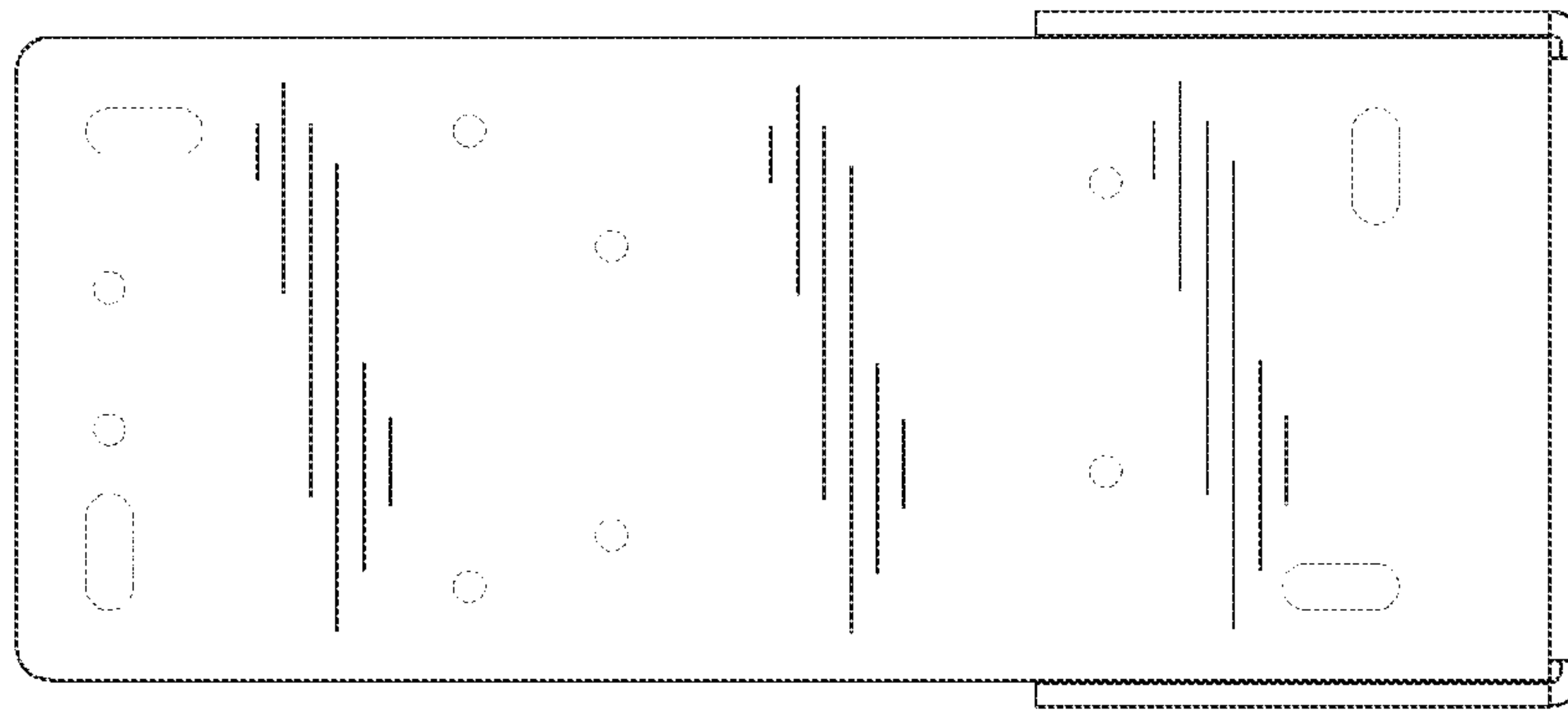


FIG. 14

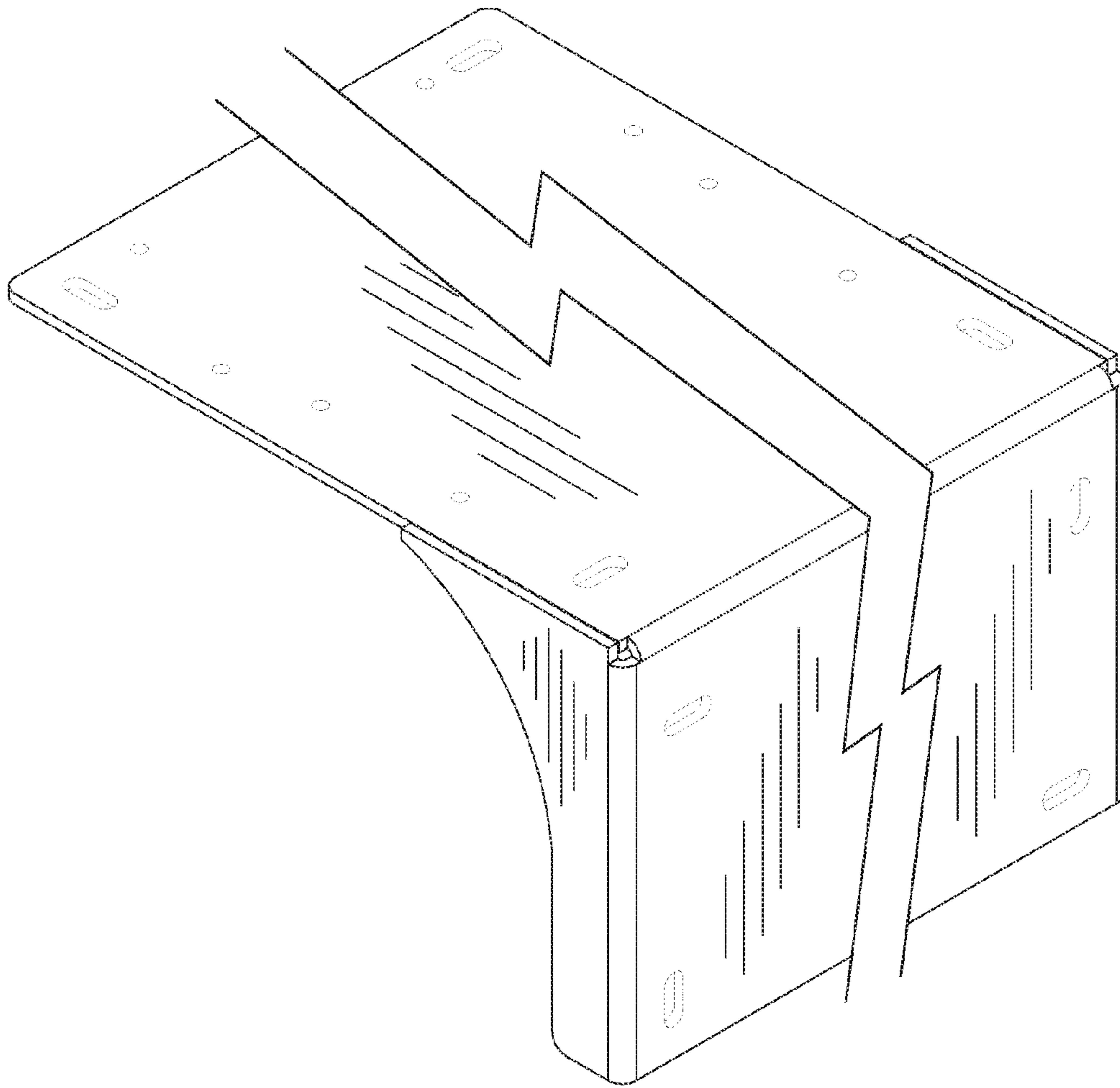


FIG. 15

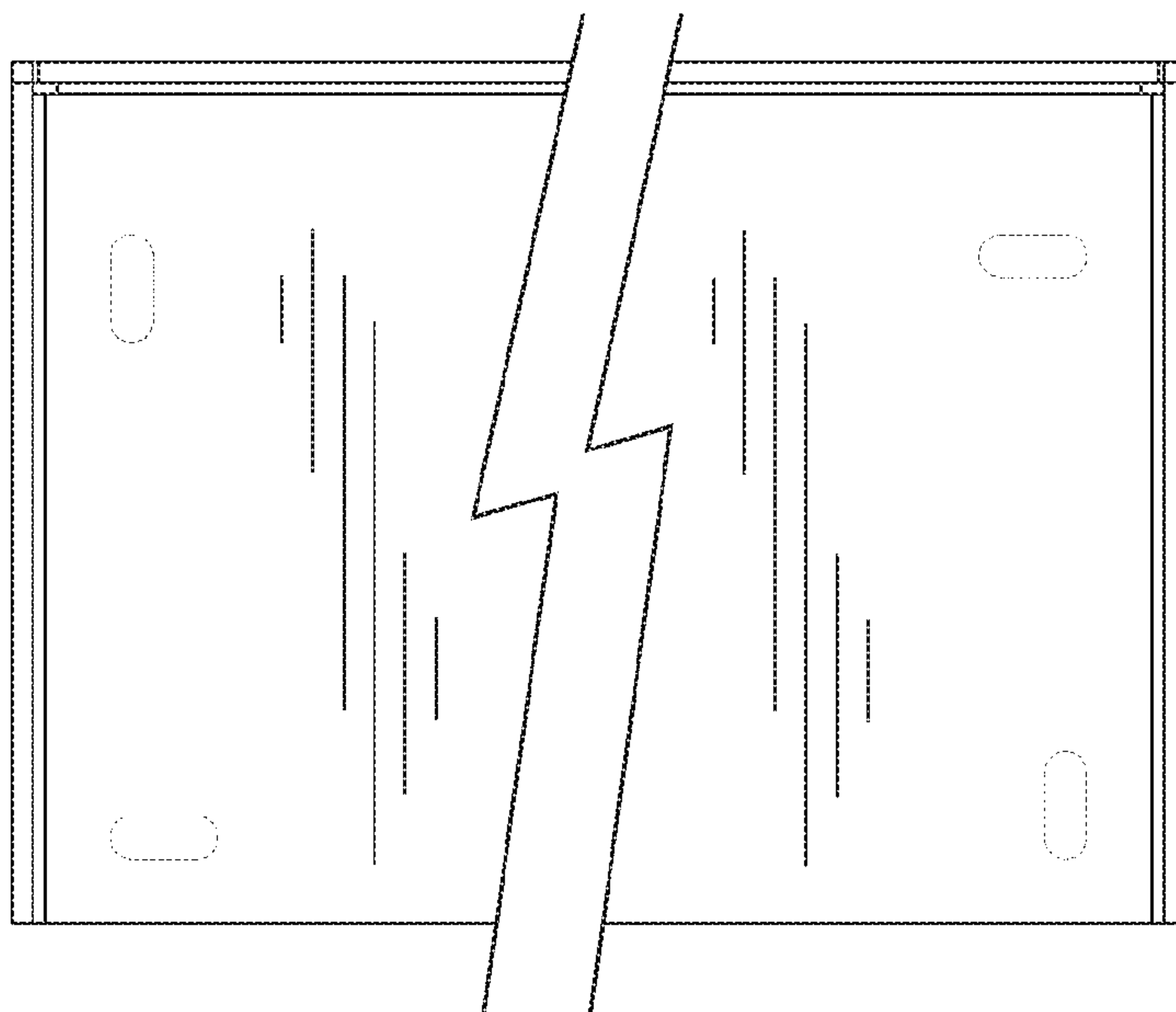


FIG. 16

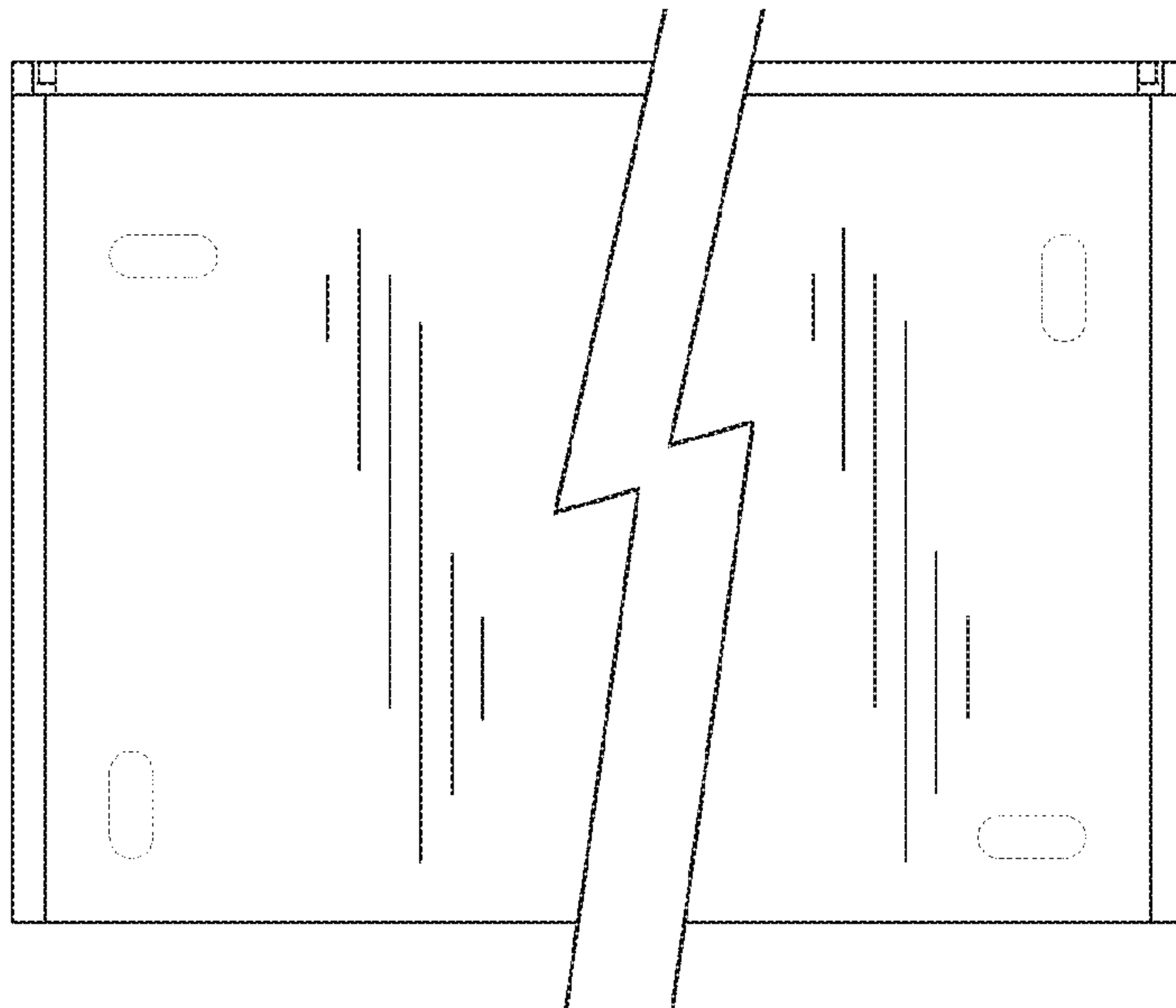


FIG. 17

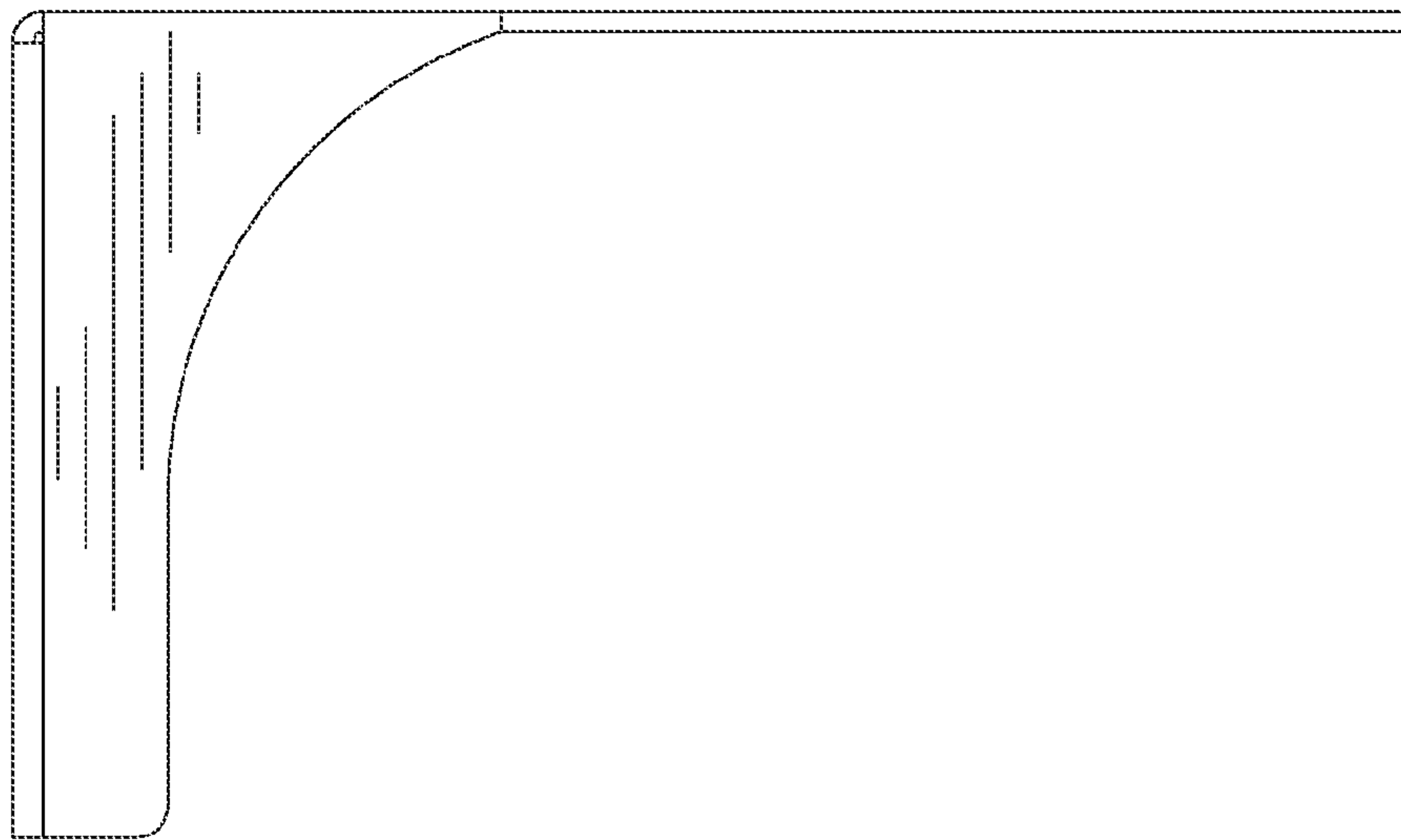


FIG. 18

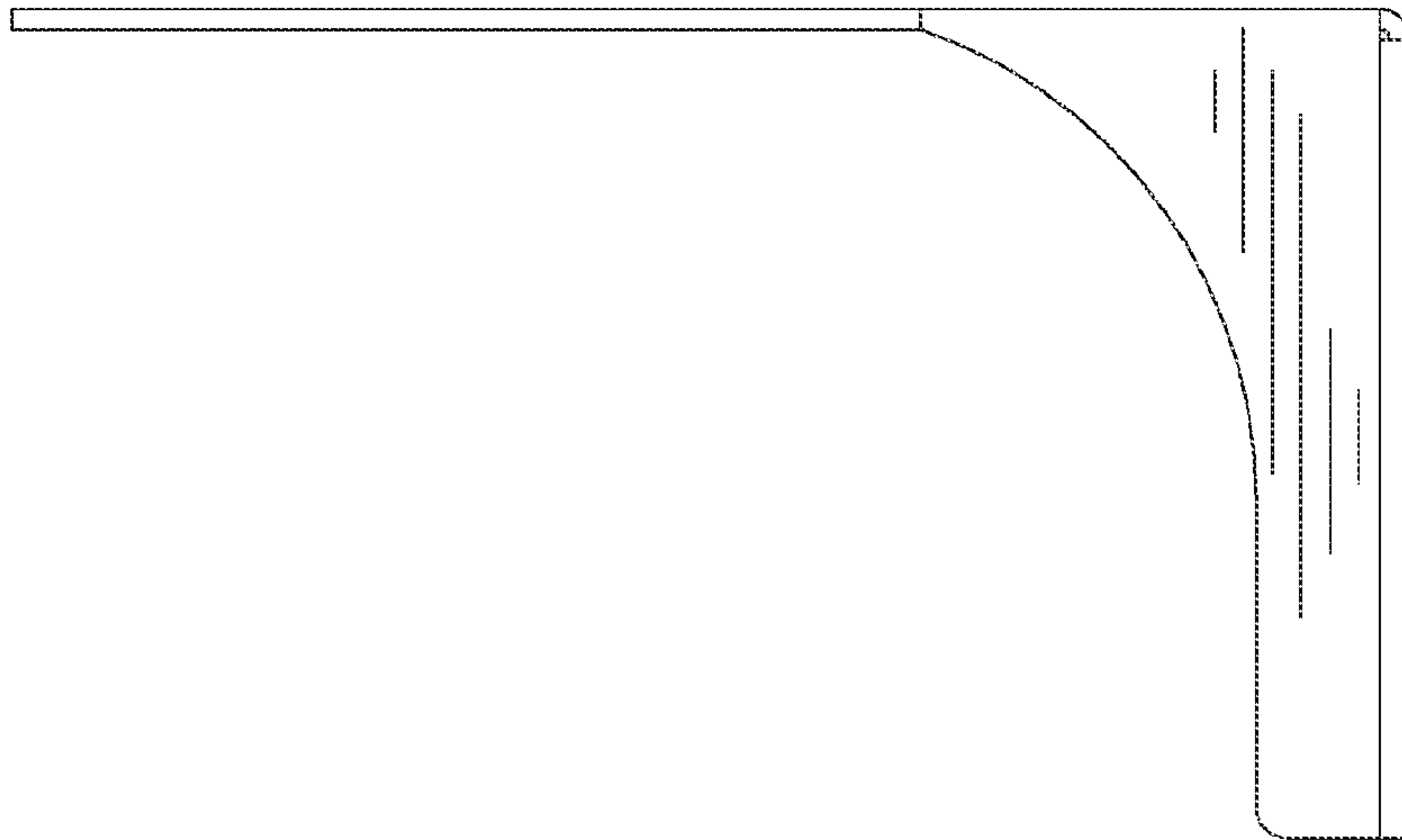


FIG. 19

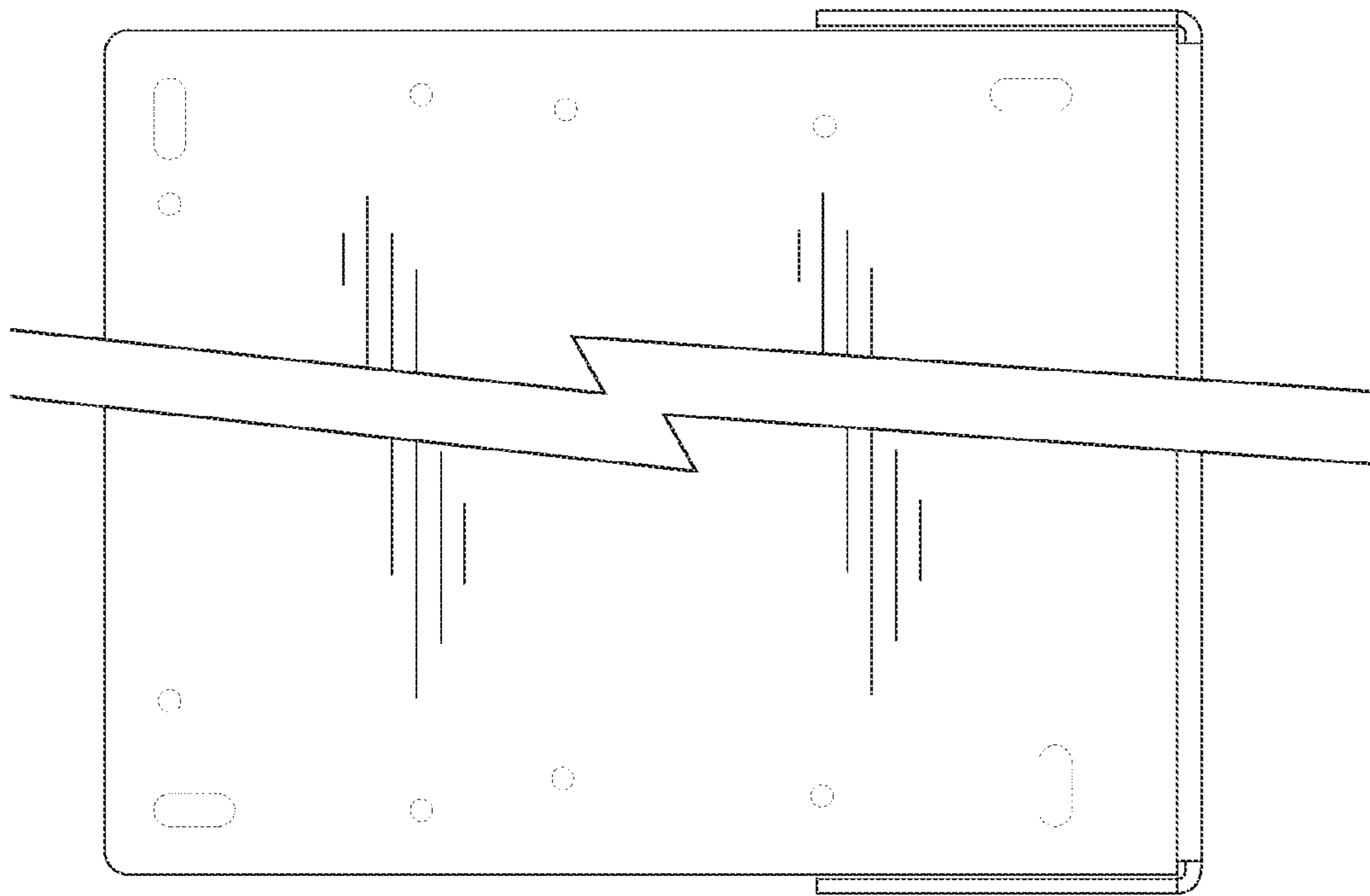


FIG. 20



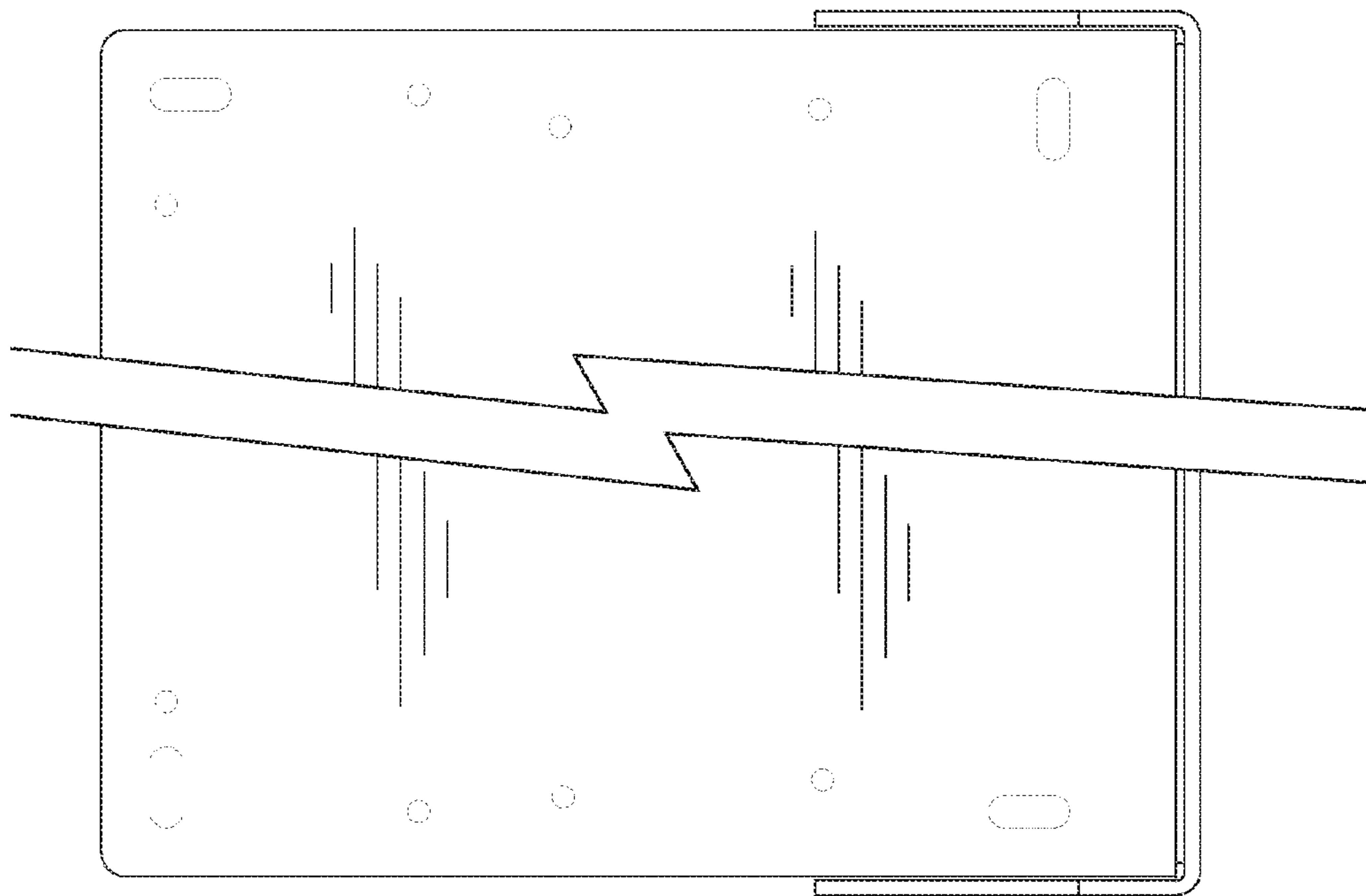


FIG. 21