



US00D621691S

(12) **United States Design Patent**
Tezak et al.

(10) **Patent No.:** **US D621,691 S**

(45) **Date of Patent:** **** Aug. 17, 2010**

(54) **SWITCH MOUNTING PIECE**

(75) Inventors: **Robert J. Tezak**, Carol Stream, IL (US);
James E. Brown, Naperville, IL (US);
Nicholas J. Scholtes, Shorewood, IL (US)

(73) Assignee: **Control Solutions LLC**, Aurora, IL (US)

(**) Term: **14 Years**

(21) Appl. No.: **29/351,651**

(22) Filed: **Dec. 9, 2009**

(51) **LOC (9) Cl.** **08-05**

(52) **U.S. Cl.** **D8/349**

(58) **Field of Classification Search** D8/349,
D8/354, 356, 366, 373, 380, 382, 394, 395;
D12/223; 52/36.6, 81.3, 394, 395, 578-582.1;
160/132, 323.1; 248/200, 205.1, 207, 209,
248/300, 309.1, 351, 352, 682, 262-265,
248/367, 368

See application file for complete search history.

(56) **References Cited**

U.S. PATENT DOCUMENTS

D401,496 S * 11/1998 Lambert et al. D8/354

D473,124 S * 4/2003 Wu et al. D8/356
D564,863 S * 3/2008 Grevis et al. D8/354
D606,389 S * 12/2009 Werschmidt D8/382

* cited by examiner

Primary Examiner—Melody N Brown

(74) *Attorney, Agent, or Firm*—The Eclipse Group LLP

(57) **CLAIM**

We claim the ornamental design for a switch mounting piece, as shown and described.

DESCRIPTION

FIG. 1 is a top-rear perspective view of the switch mounting piece;

FIG. 2 is a bottom-front perspective view thereof;

FIG. 3 is a top view thereof;

FIG. 4 is a left side view thereof;

FIG. 5 is a front view thereof;

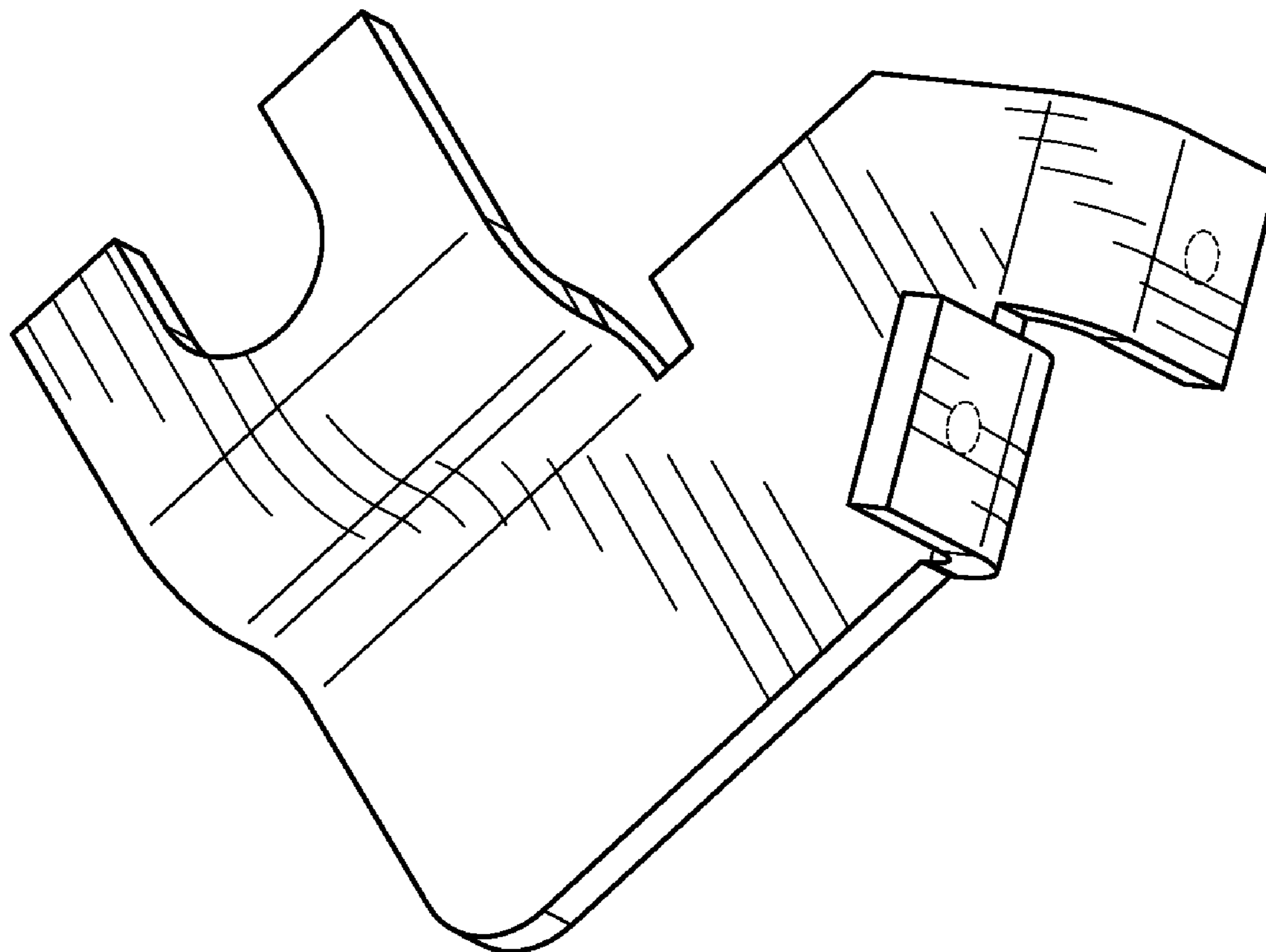
FIG. 6 is a right view thereof;

FIG. 7 is a rear view thereof; and,

FIG. 8 is a bottom view thereof.

The dashed lines in various figures are for illustrative purposes only and form no part of the claimed design.

1 Claim, 2 Drawing Sheets



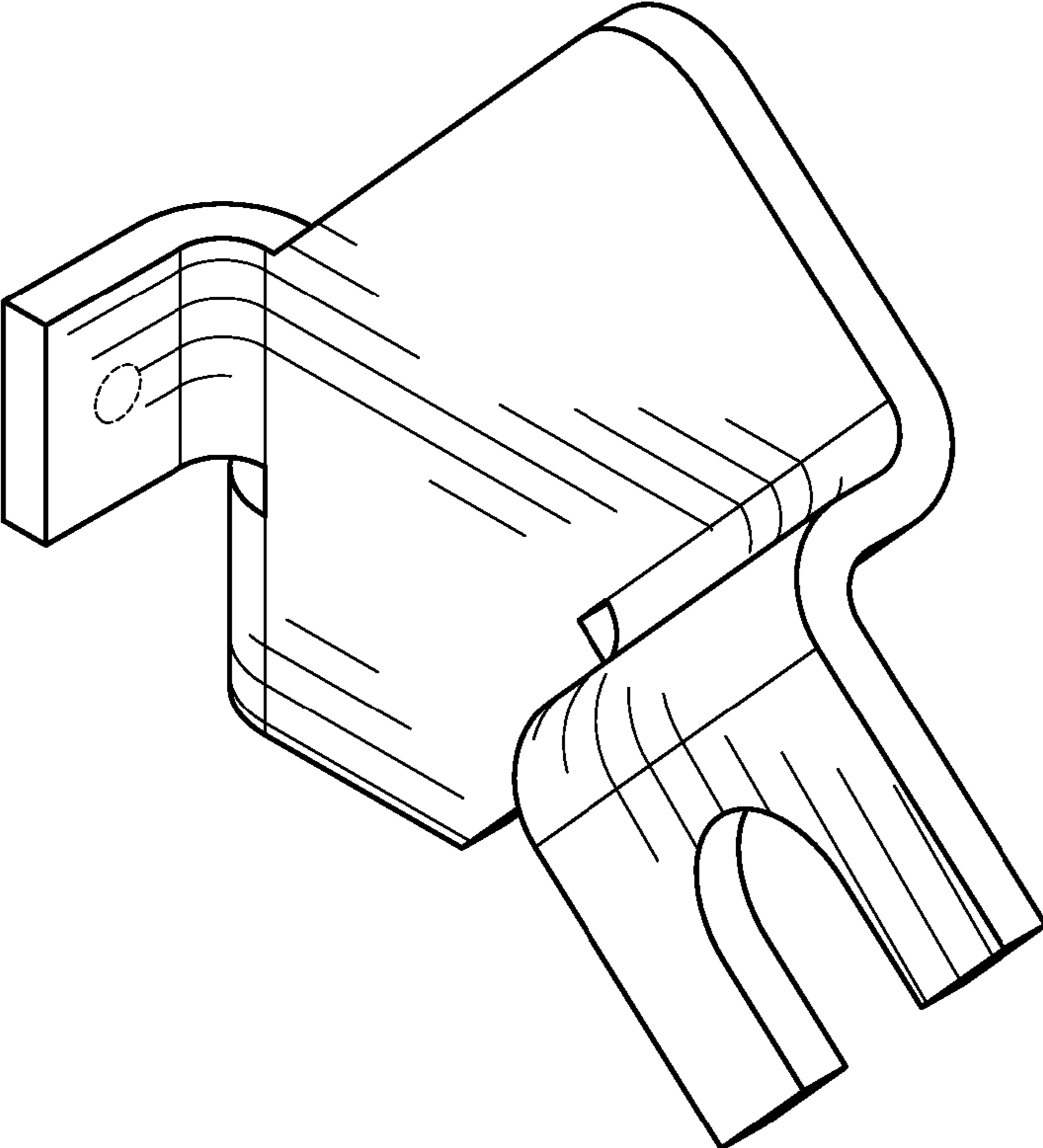


FIG. 1

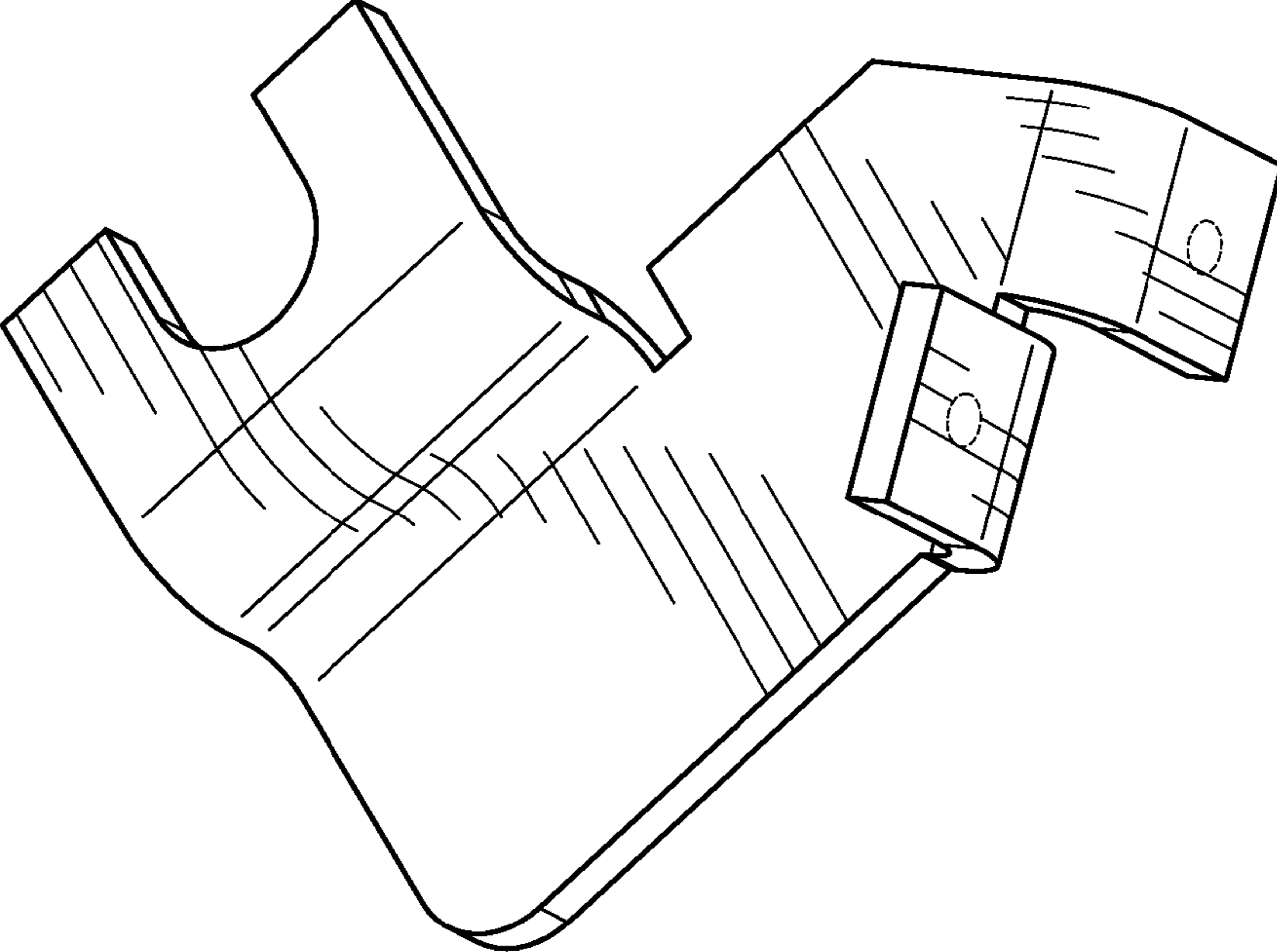


FIG. 2

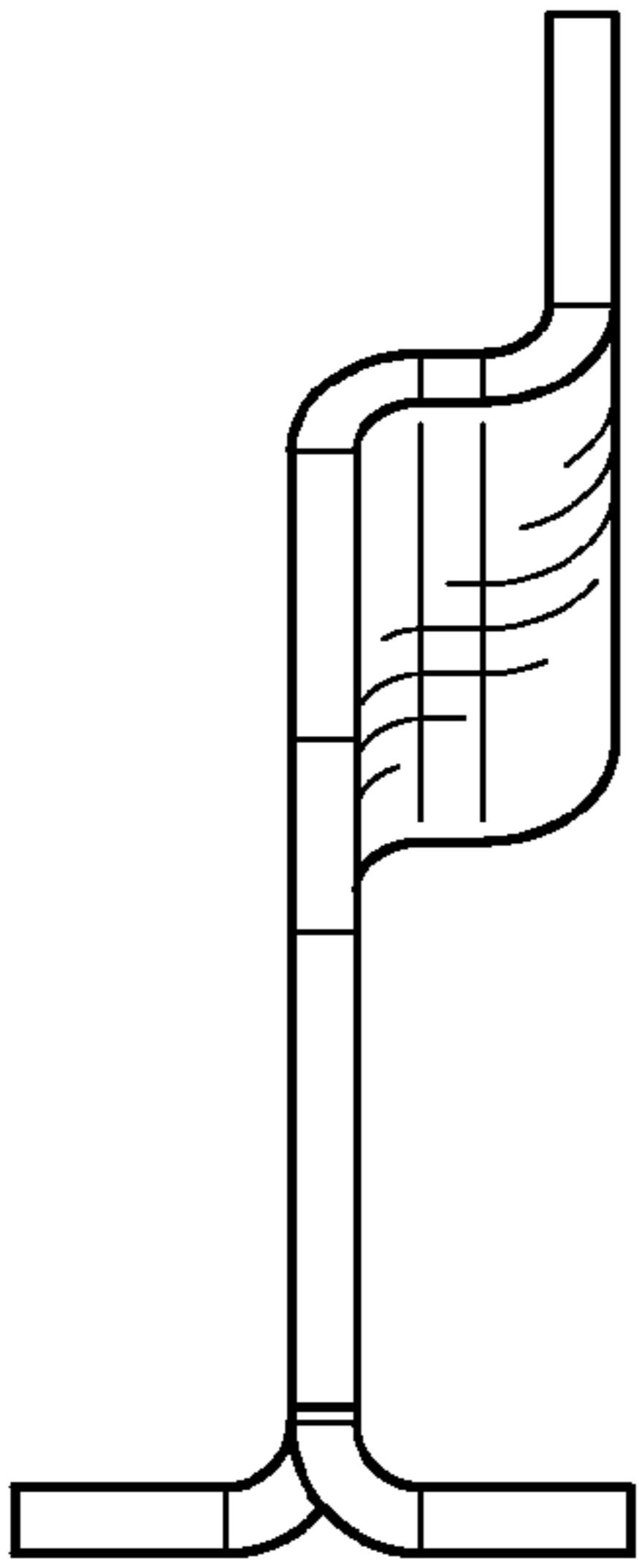


FIG. 3

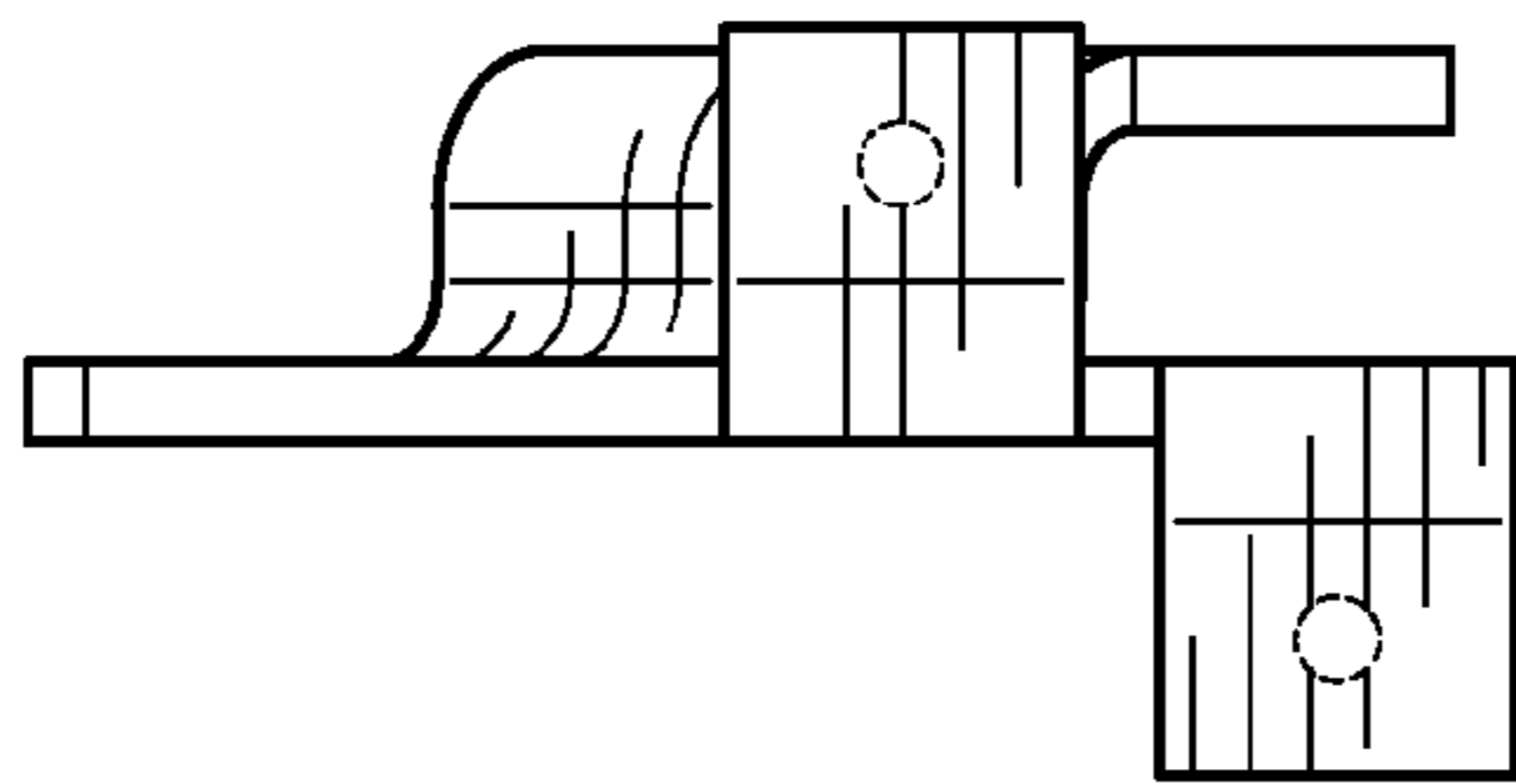


FIG. 4

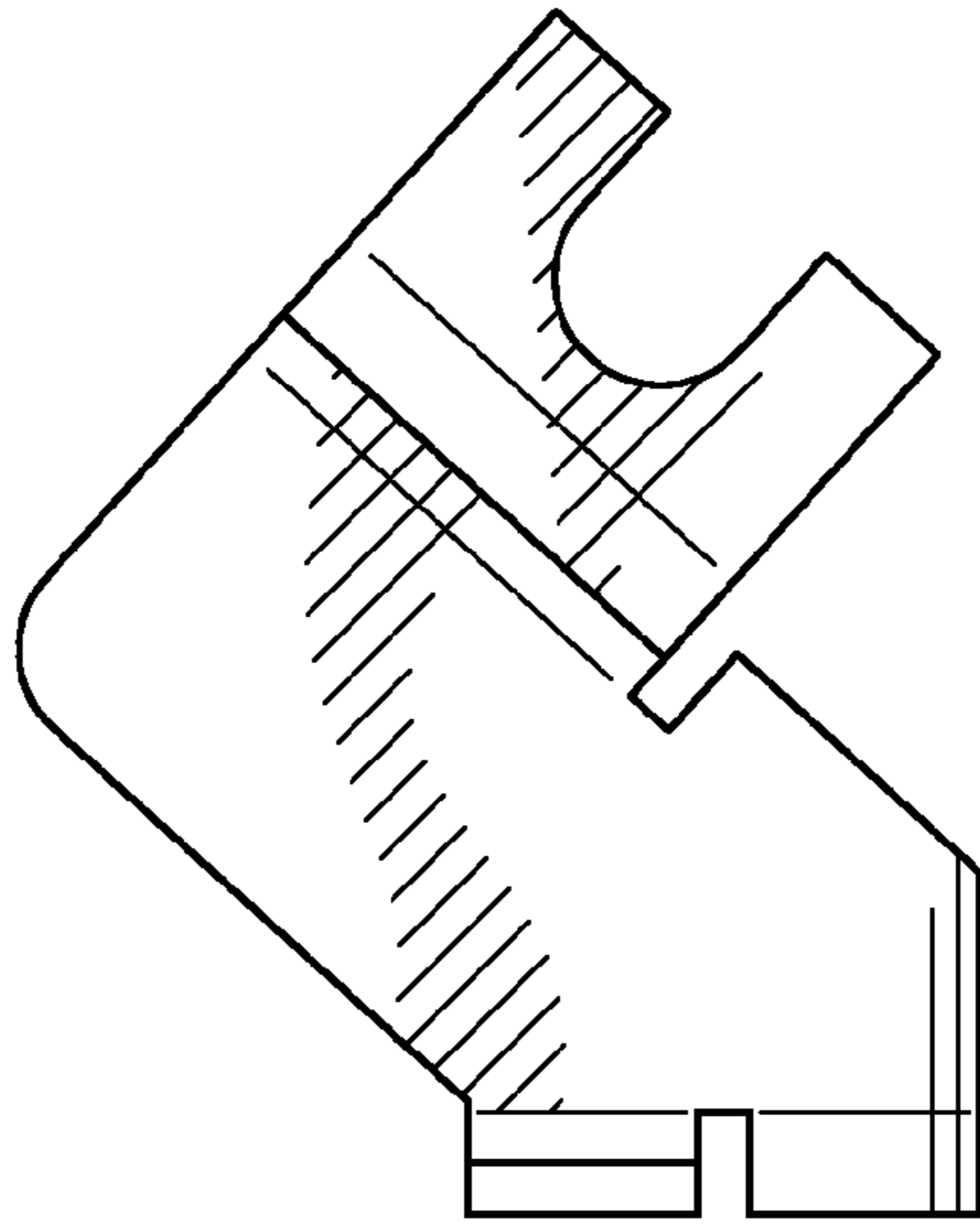


FIG. 5

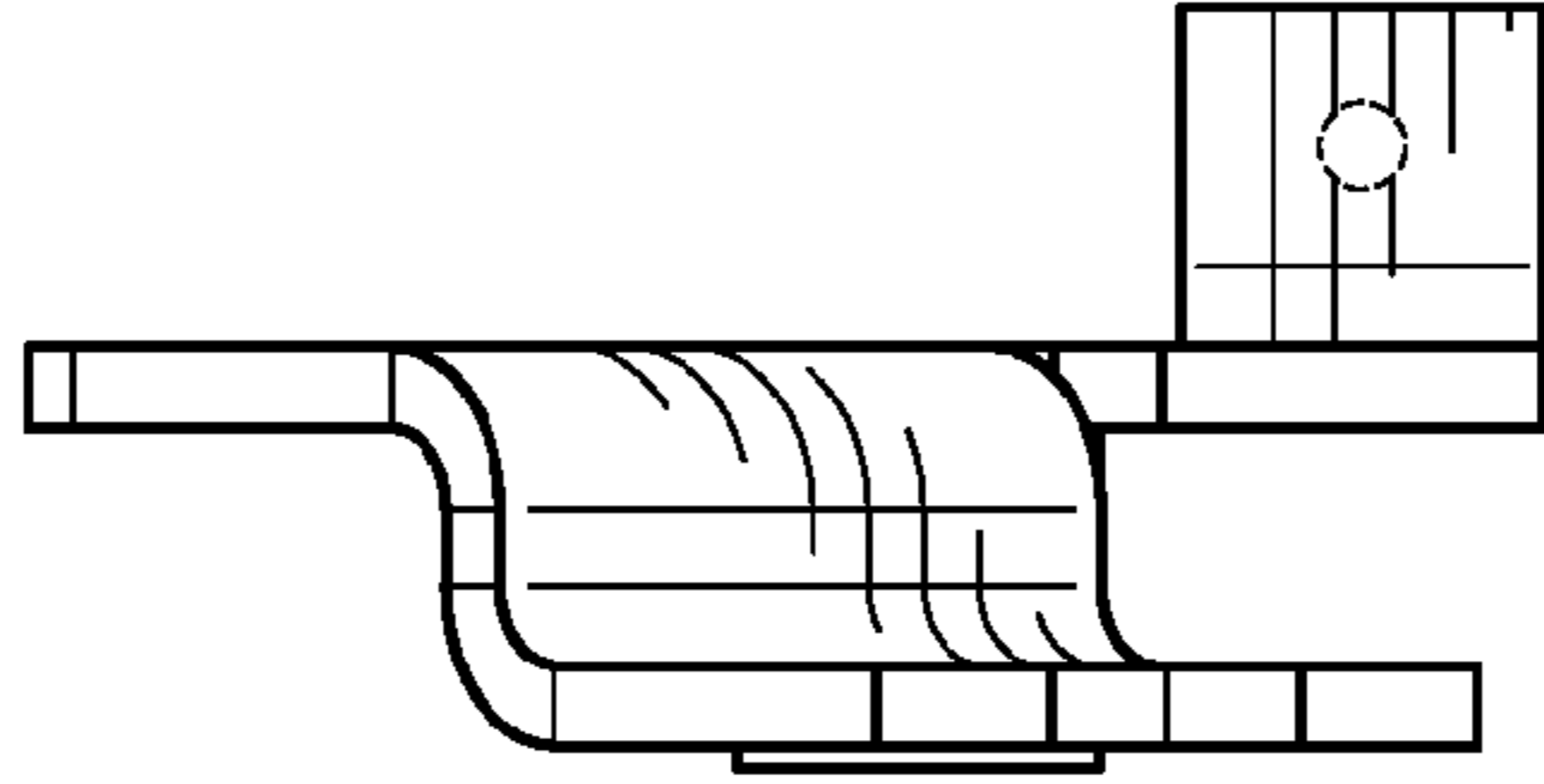


FIG. 6

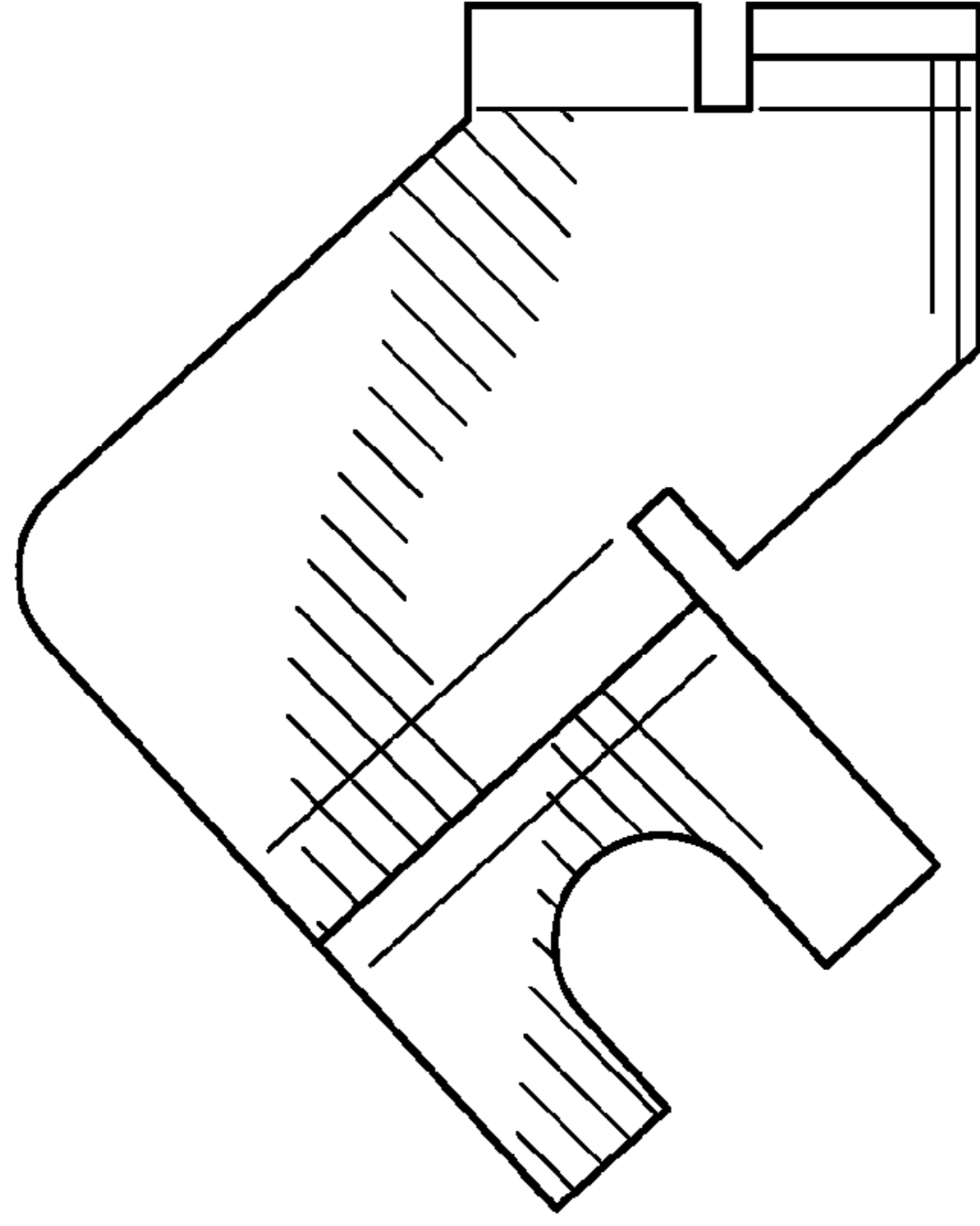


FIG. 7

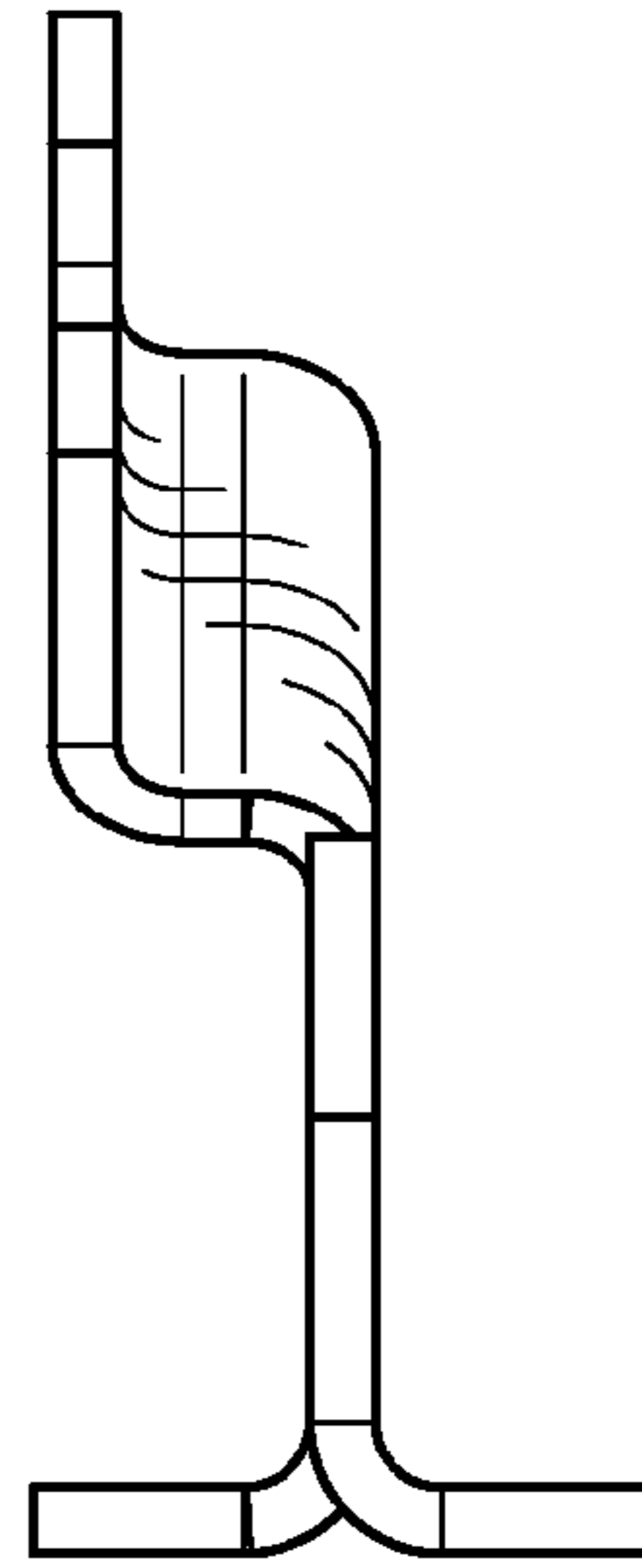


FIG. 8