



US00D621690S

(12) **United States Design Patent**
Honnecke et al.

(10) **Patent No.:** **US D621,690 S**
(45) **Date of Patent:** **** Aug. 17, 2010**

(54) **ROOF MOUNT ASSEMBLY UNIT**

DESCRIPTION

(75) Inventors: **Von Honnecke**, Lakewood, CO (US);
Chase Honnecke, Denver, CO (US)
(73) Assignee: **Adjust-a-stand**, Denver, CO (US)
(**) Term: **14 Years**
(21) Appl. No.: **29/346,539**
(22) Filed: **Nov. 2, 2009**
(51) **LOC (9) Cl.** **08-05**
(52) **U.S. Cl.** **D8/349**
(58) **Field of Classification Search** D8/349,
D8/354, 356, 366, 373, 380, 382, 394, 395,
D8/381, 363, 367, 403; D6/572-574; D25/102,
D25/112, 119, 122, 162, 141; 52/506.06-506.08,
52/665, 712-715, 173.3; 292/346; 108/85;
248/264, 265, 200, 243-247, 205.1, 62, 70;
137/355.23, 355.27; 104/113
See application file for complete search history.

FIG. 1 is a front perspective view of a roof mount assembly unit showing our new design;
FIG. 2 is front view of the embodiment shown in FIG. 1;
FIG. 3 is a side view of FIG. 1;
FIG. 4 is an opposite side view of FIG. 3;
FIG. 5 is a rear view of FIG. 1;
FIG. 6 is a bottom view of FIG. 1;
FIG. 7 is a top view of FIG. 1;
FIG. 8 is a front perspective view showing a second embodiment of our design;
FIG. 9 is a front view of the embodiment shown in FIG. 8;
FIG. 10 is a side view of FIG. 8;
FIG. 11 is a bottom view of FIG. 8;
FIG. 12 is a top view of FIG. 8;
FIG. 13 is a front perspective view showing a third embodiment of our new design;
FIG. 14 is a front view of the embodiment shown in FIG. 13;
FIG. 15 is a side view of FIG. 13;
FIG. 16 is an opposite side view of FIG. 13;
FIG. 17 is a bottom view of FIG. 13;
FIG. 18 is a top view of FIG. 13;
FIG. 19 is a front perspective view showing a fourth embodiment of our new design;
FIG. 20 is a front view of the embodiment shown in FIG. 19;
FIG. 21 is a side view of FIG. 19;
FIG. 22 is a bottom view of FIG. 19; and,
FIG. 23 is a top view of FIG. 19.
The broken lines shown throughout the drawing specification are for illustrative purposes only and form no part of the claimed design.

(56) **References Cited**

U.S. PATENT DOCUMENTS

6,076,780 A 6/2000 Honnecke et al.
6,305,650 B1 10/2001 Hawkins et al.
6,464,180 B2 10/2002 Workman
6,494,007 B1 * 12/2002 Gembala 52/395
6,672,018 B2 1/2004 Shingleton

* cited by examiner

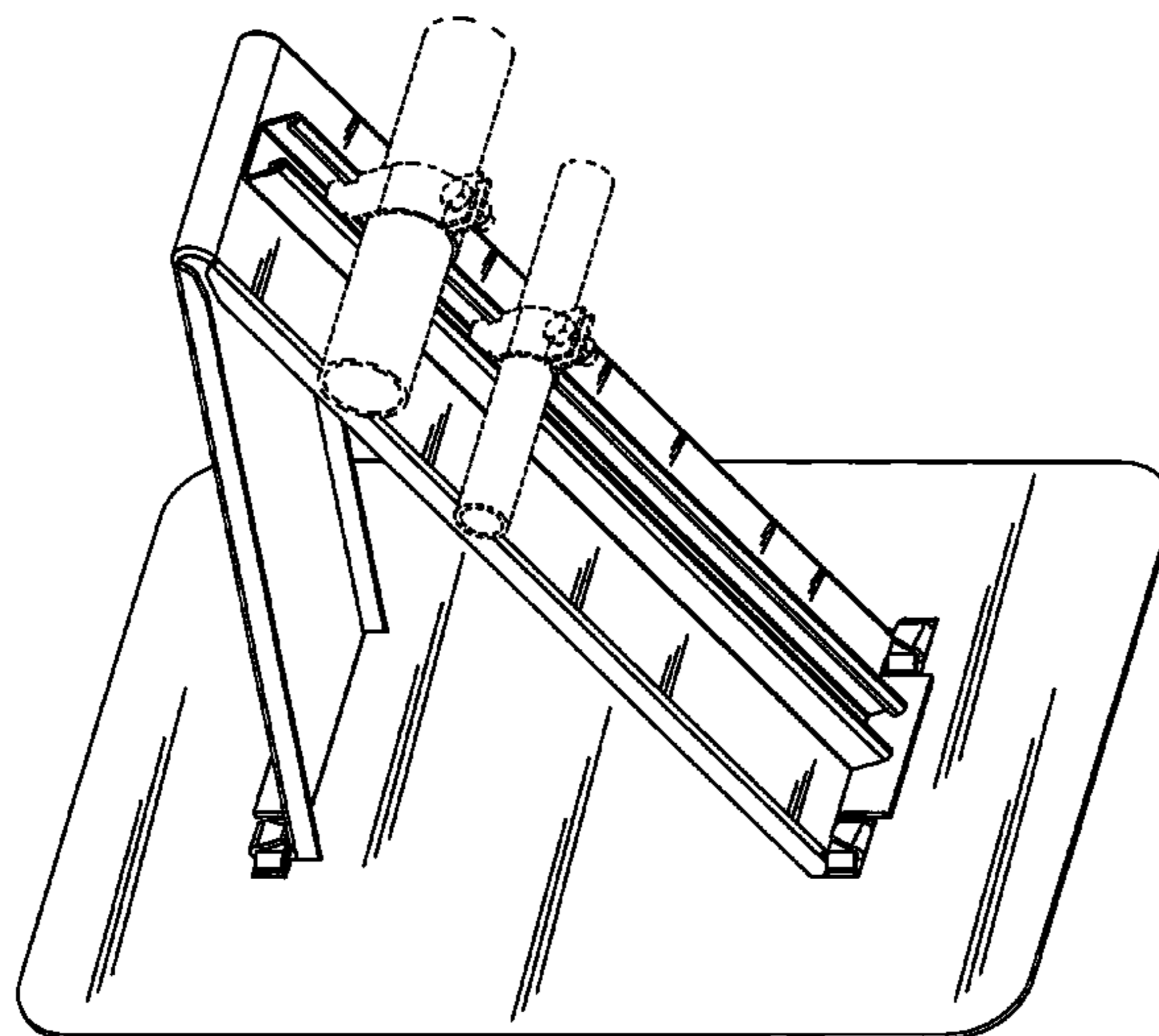
Primary Examiner—Melody N Brown

(74) *Attorney, Agent, or Firm*—The Reilly Intellectual Property Law Firm, P.C.; Ellen Reilly; John E. Reilly

(57) **CLAIM**

The ornamental design for a roof mount assembly unit, as shown and described.

1 Claim, 22 Drawing Sheets



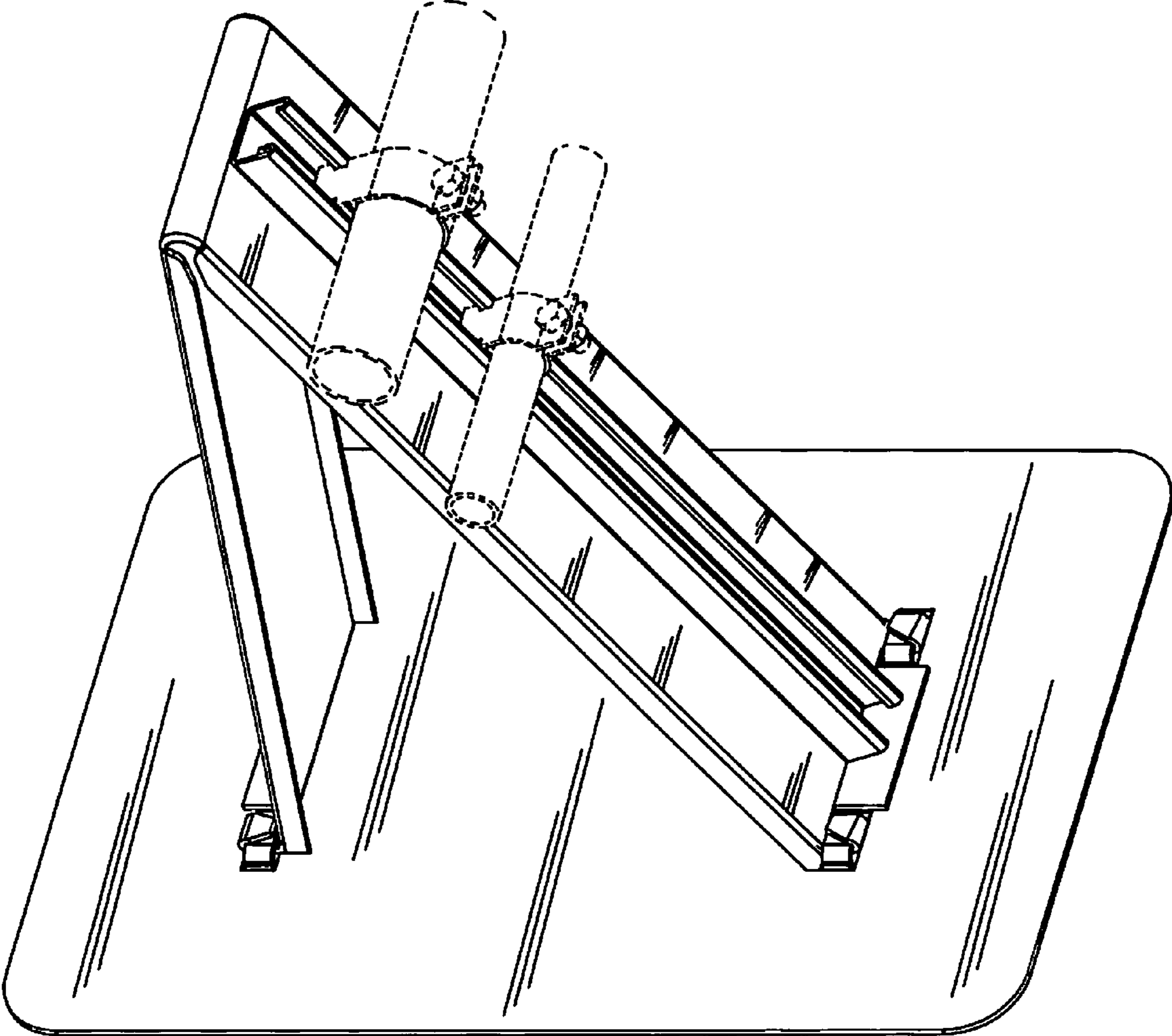


FIGURE 1

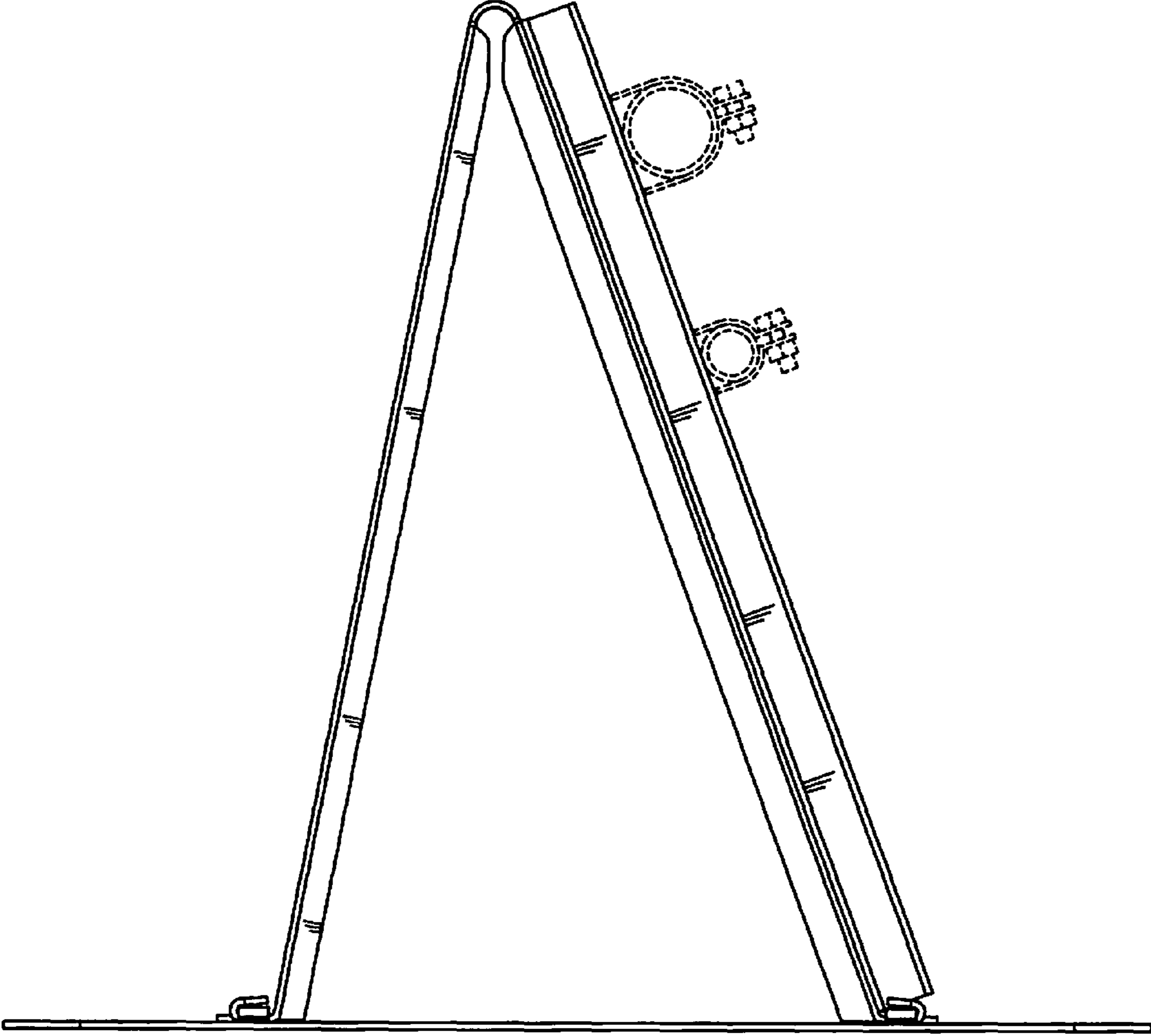


FIGURE 2

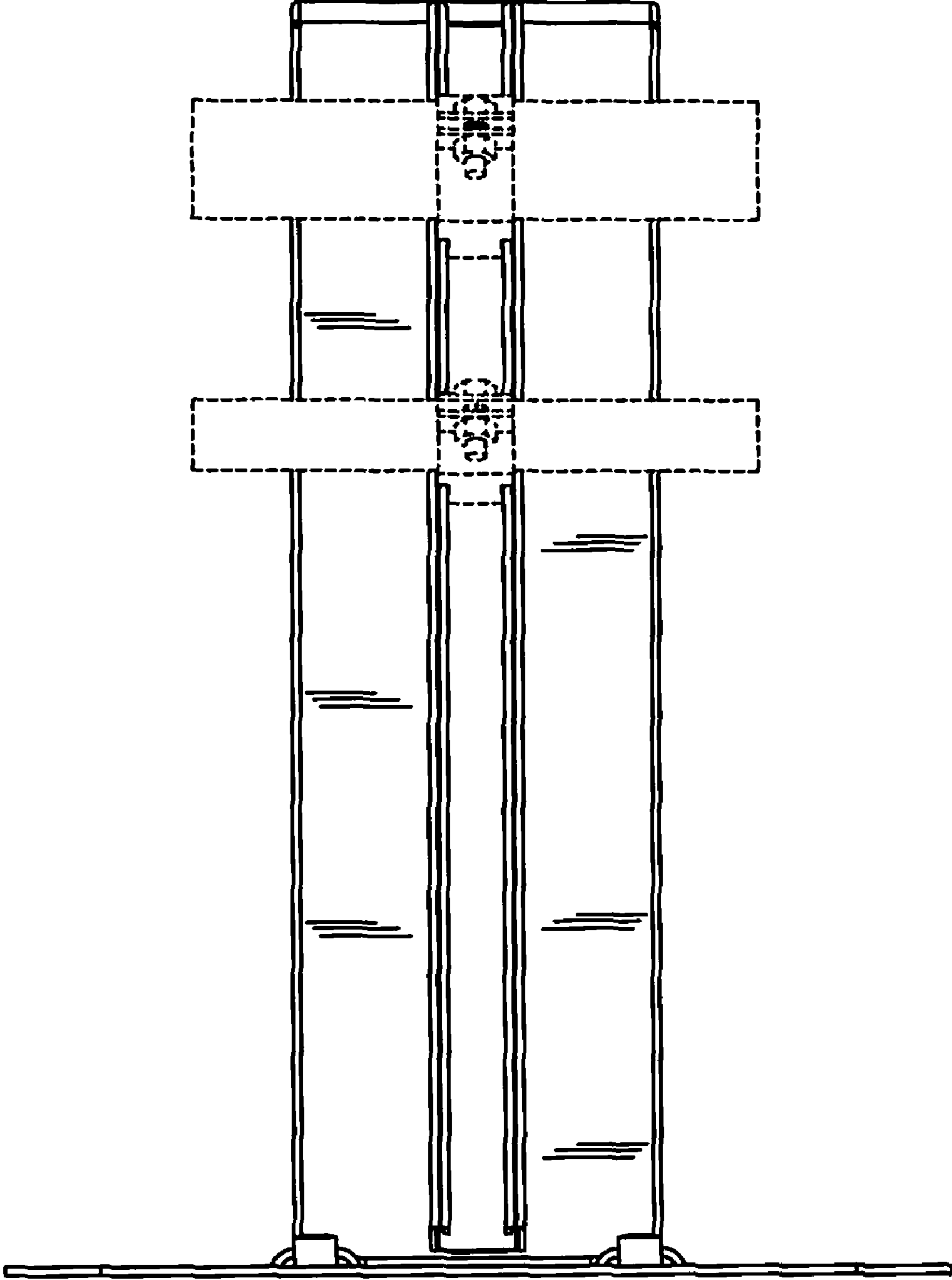


FIGURE 3

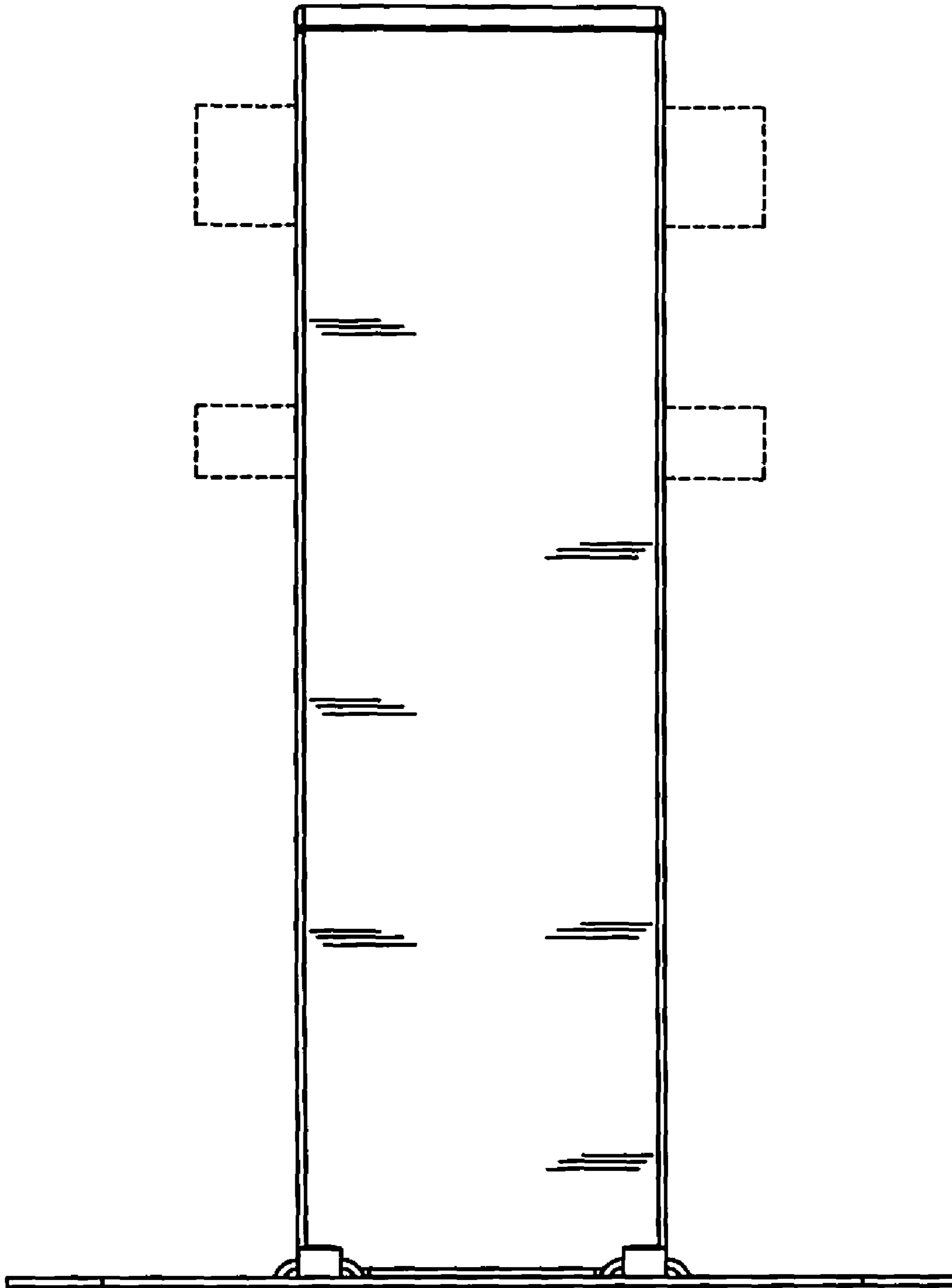


FIGURE 4

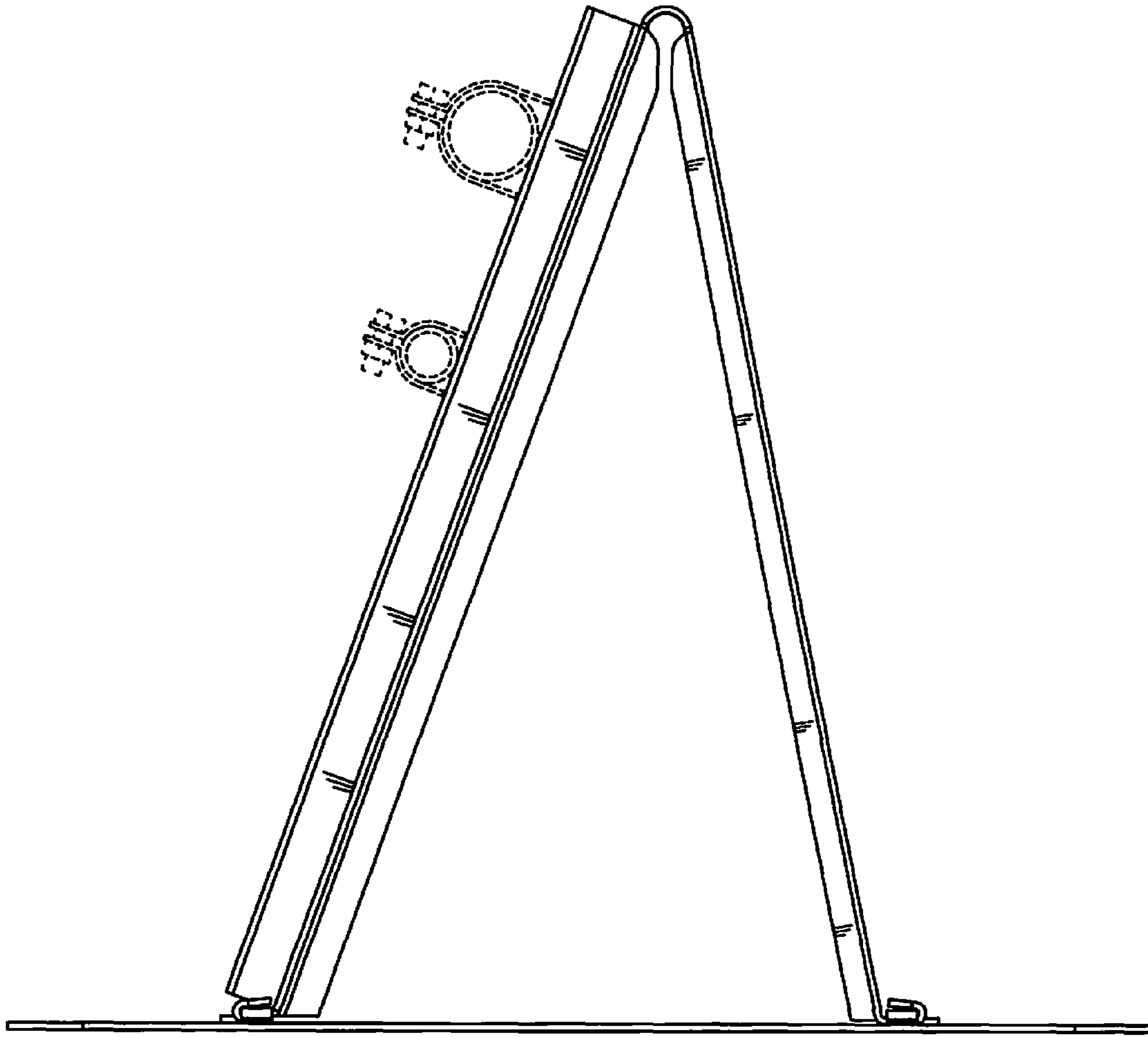


FIGURE 5

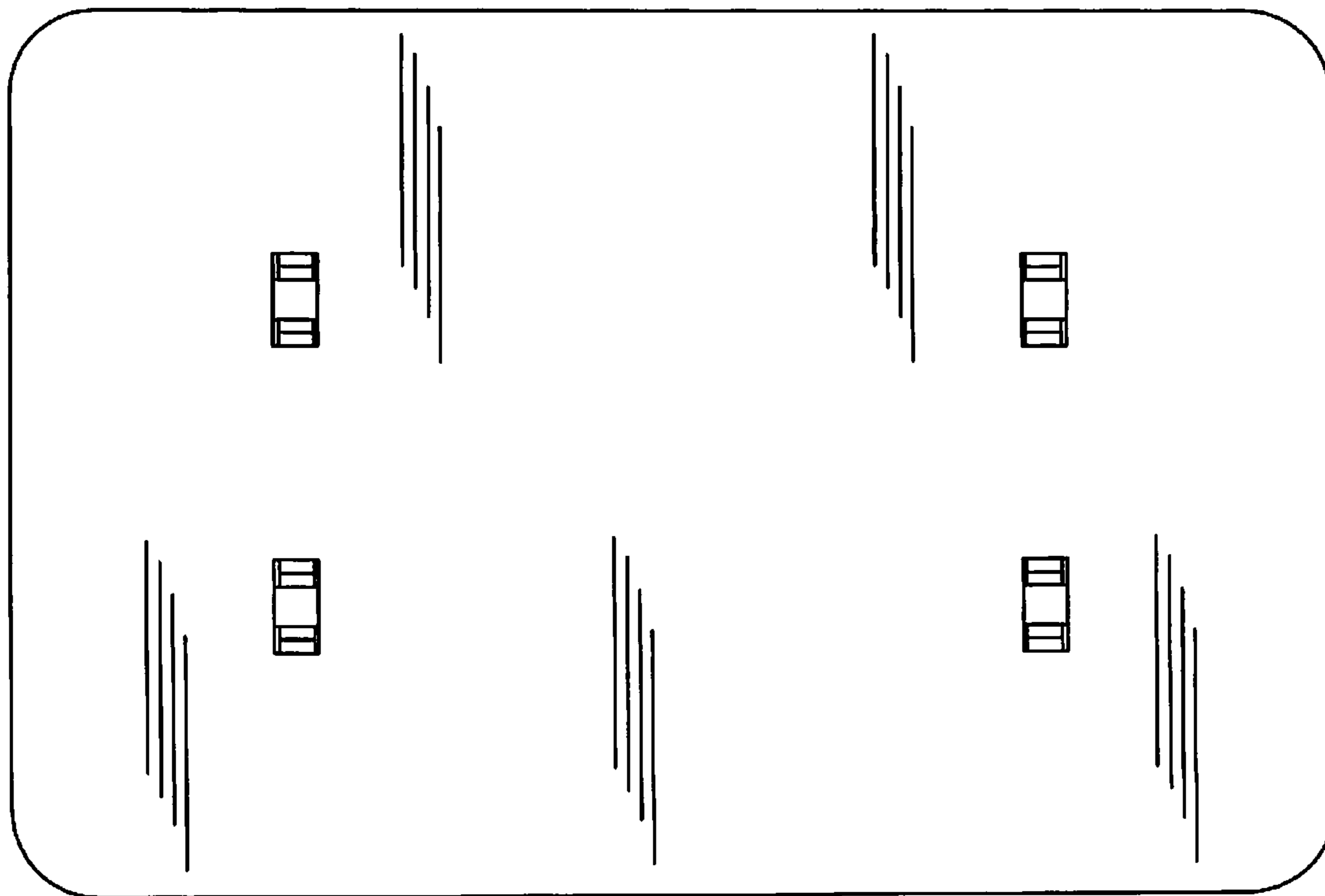


FIGURE 6

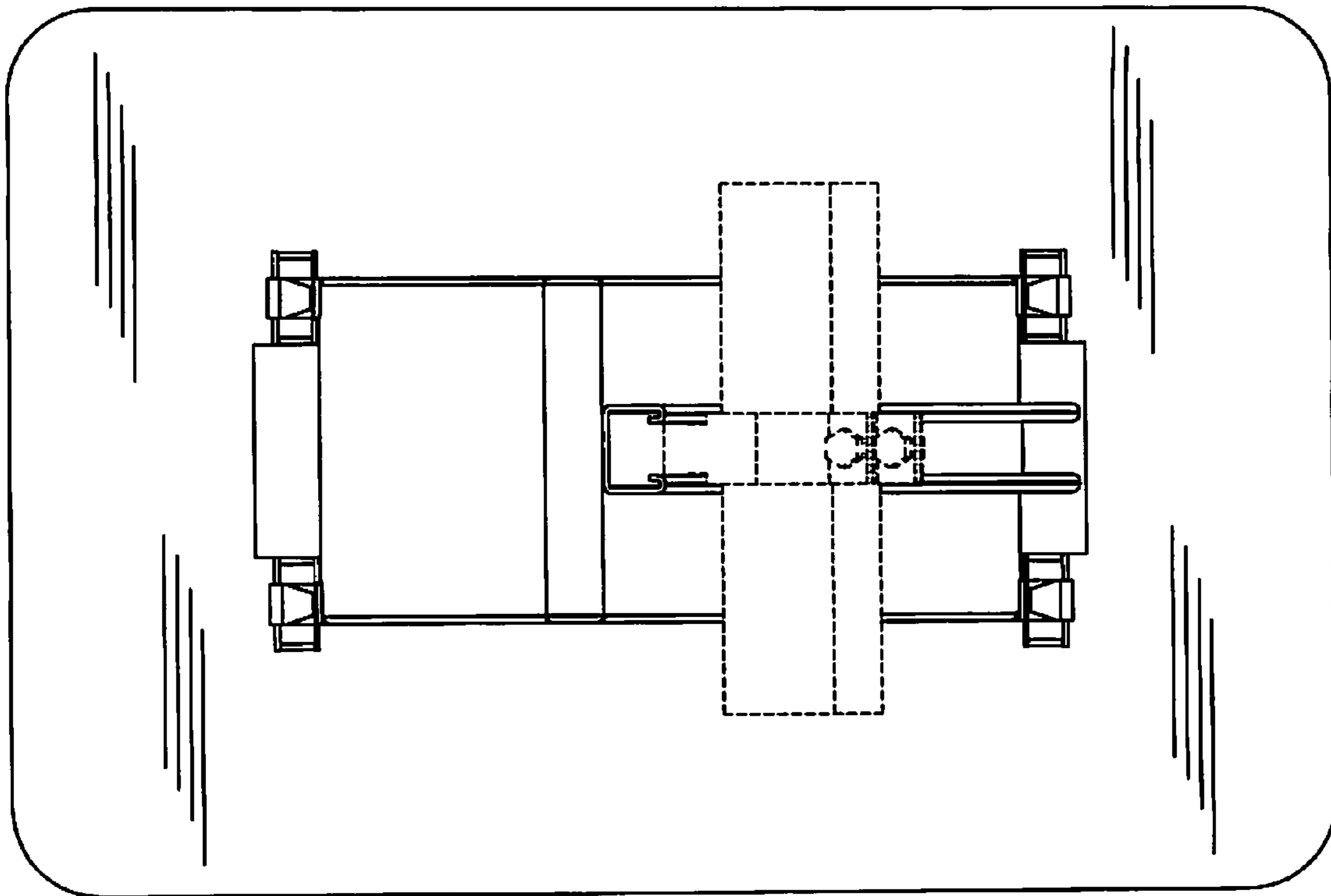


FIGURE 7

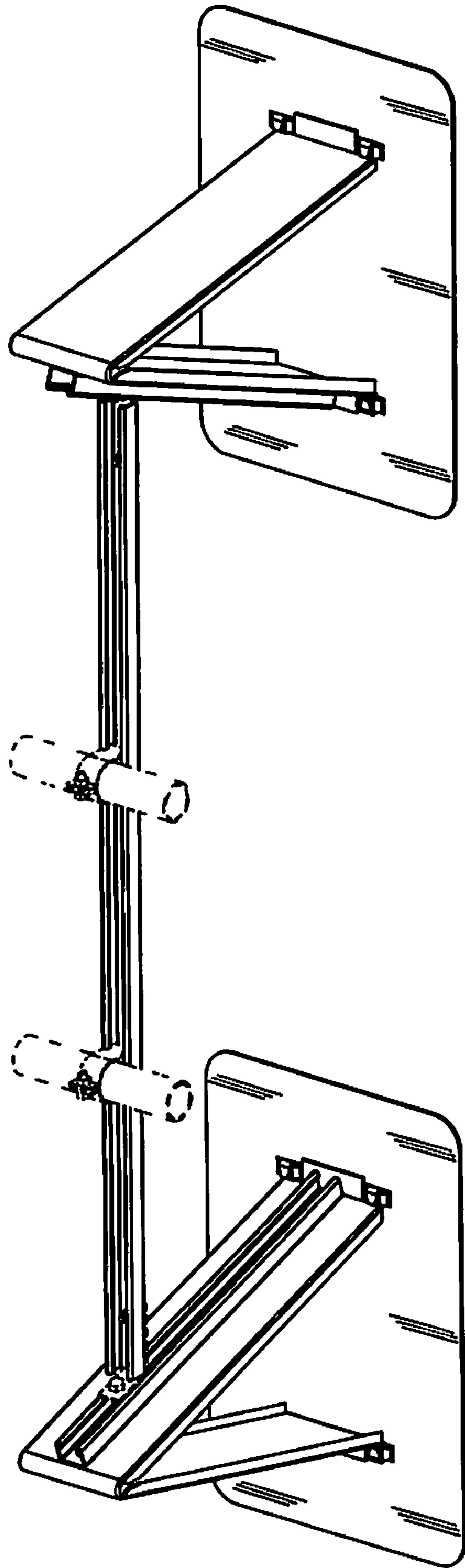


FIGURE 8

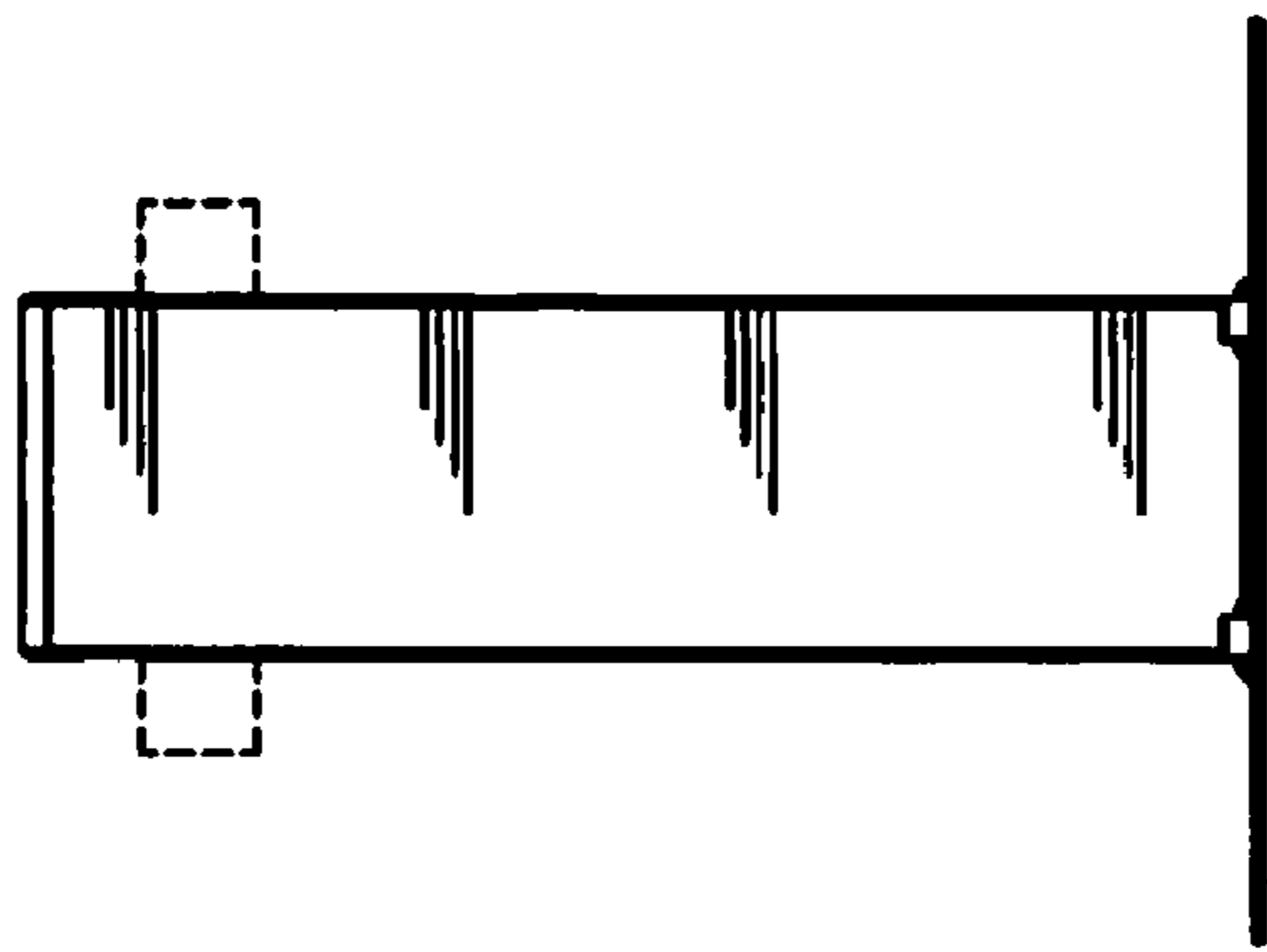


FIGURE 10

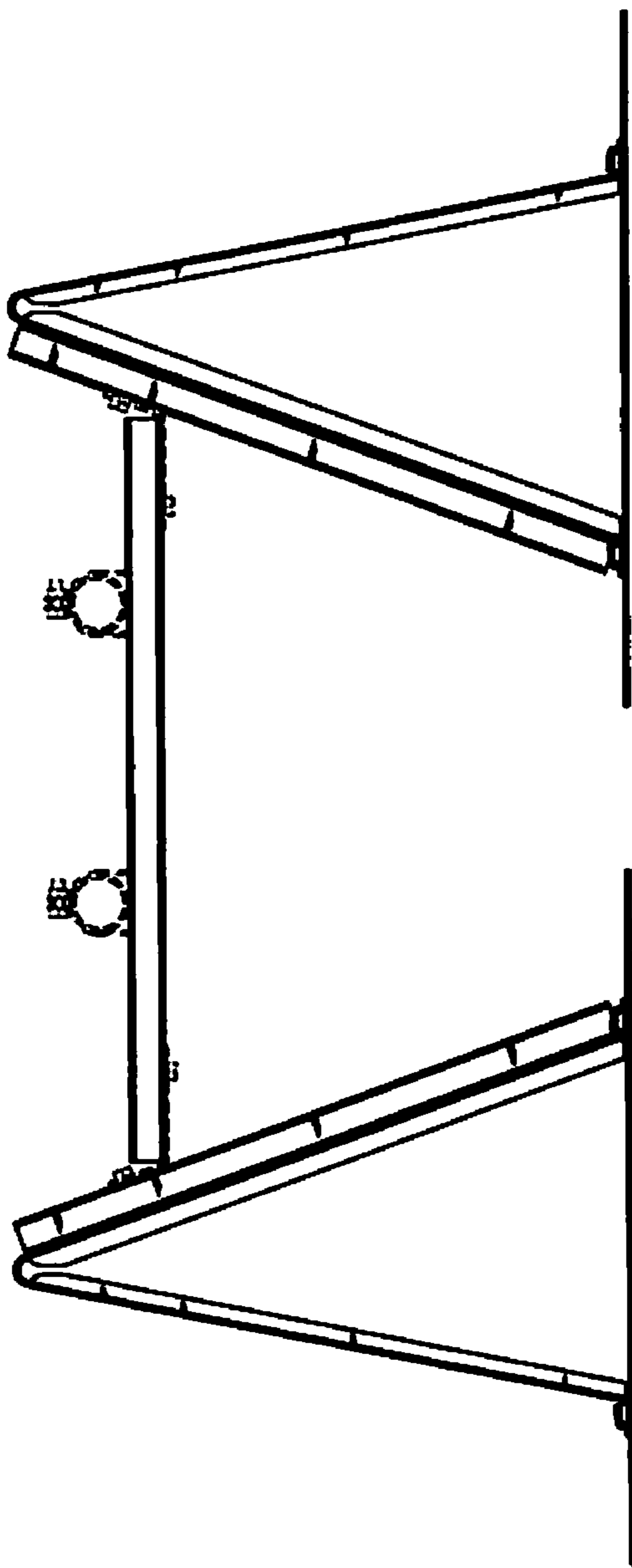


FIGURE 9

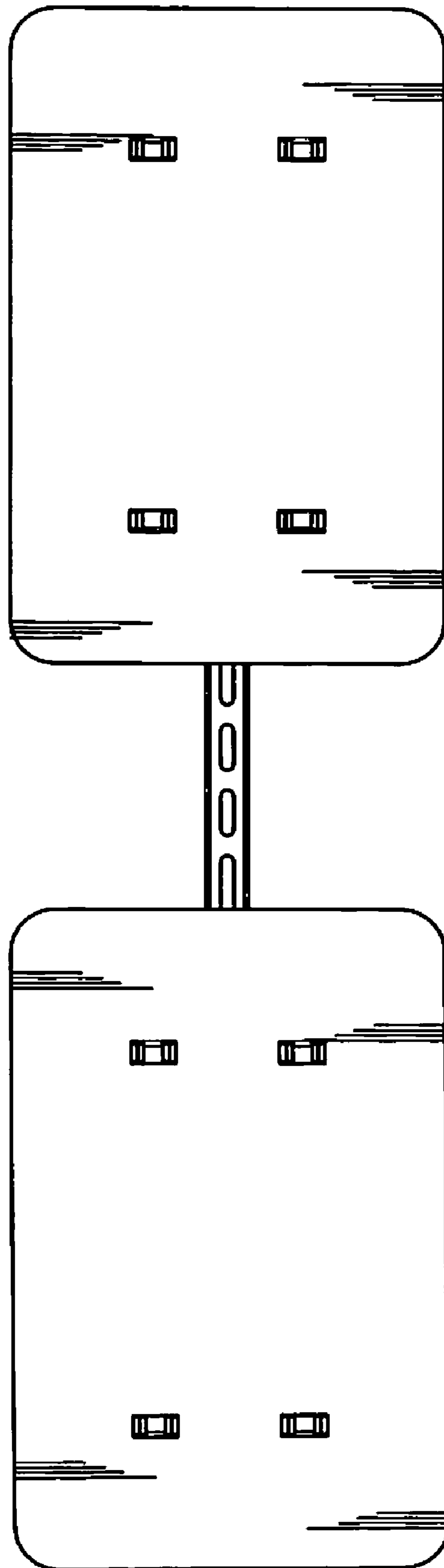


FIGURE 11

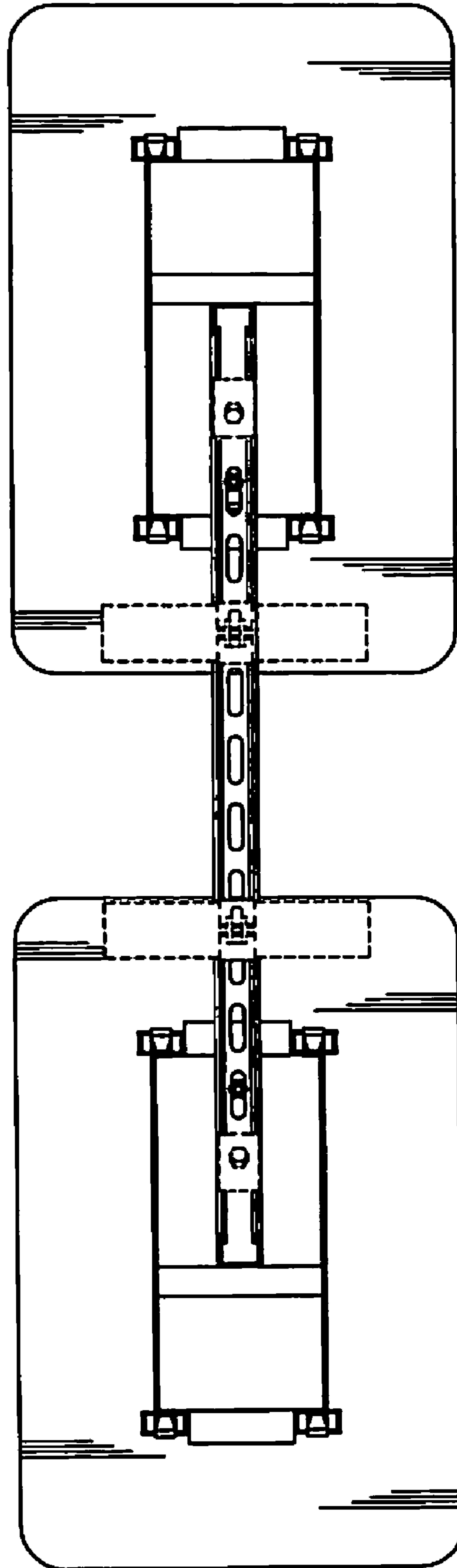


FIGURE 12

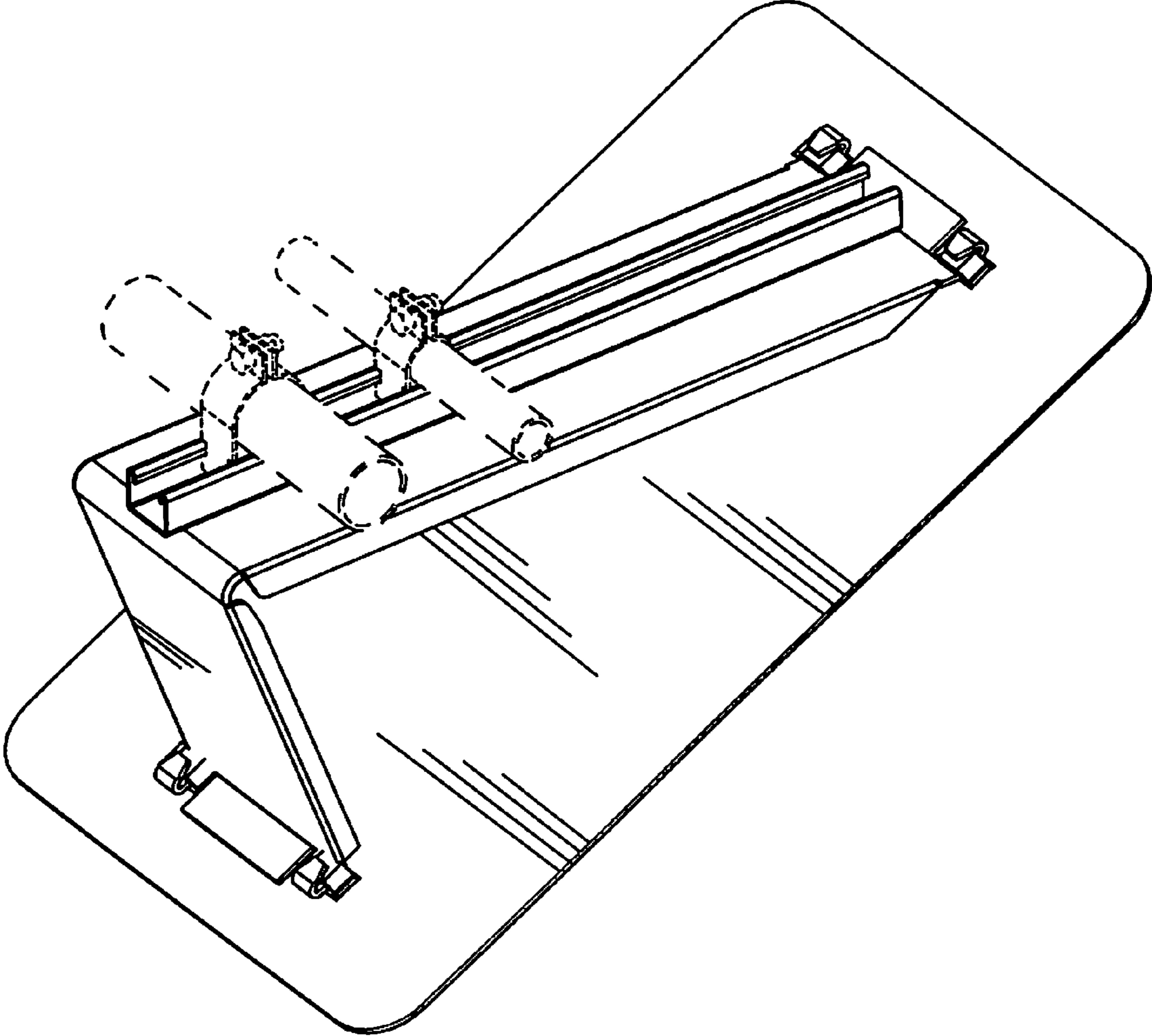


FIGURE 13

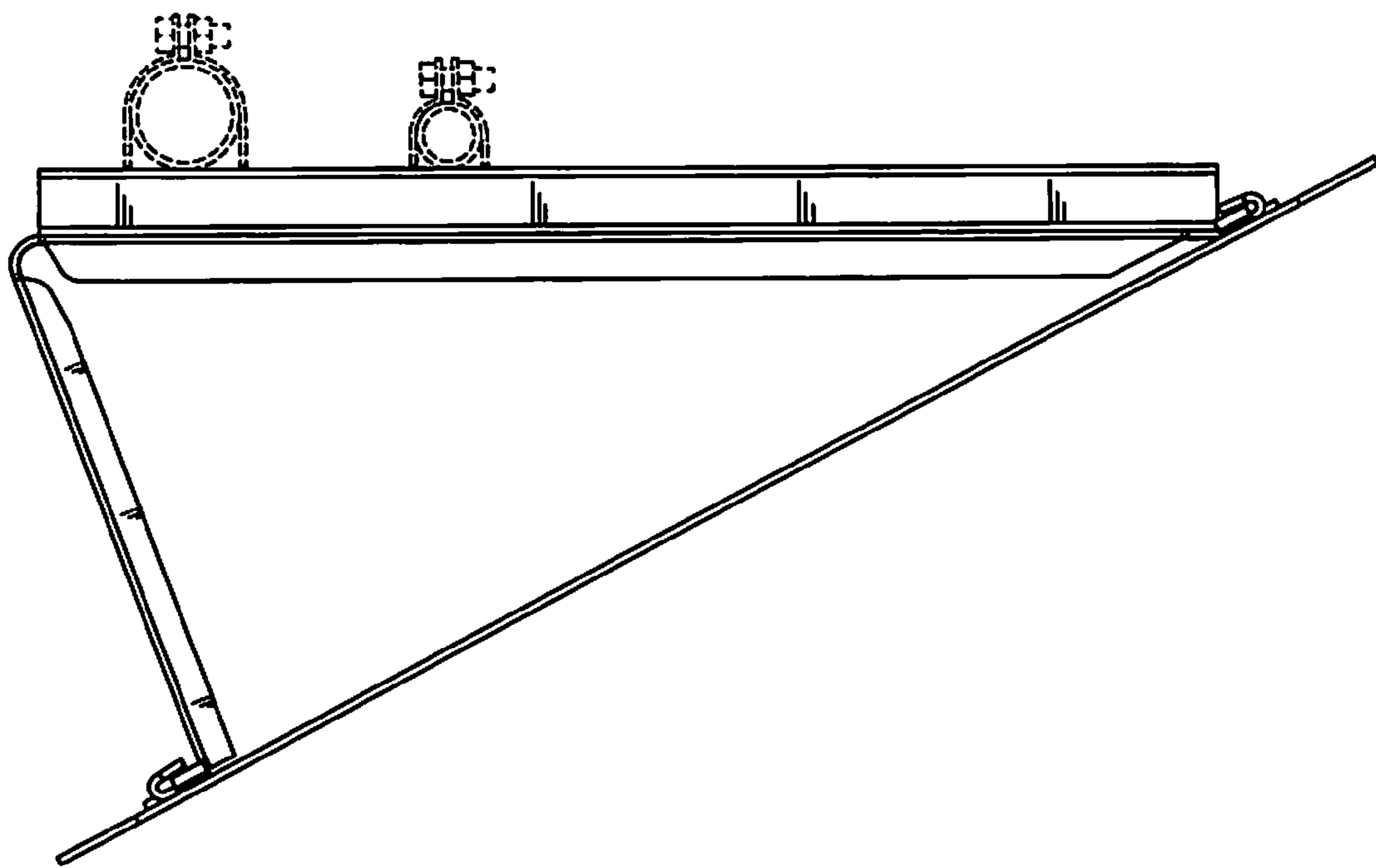


FIGURE 14

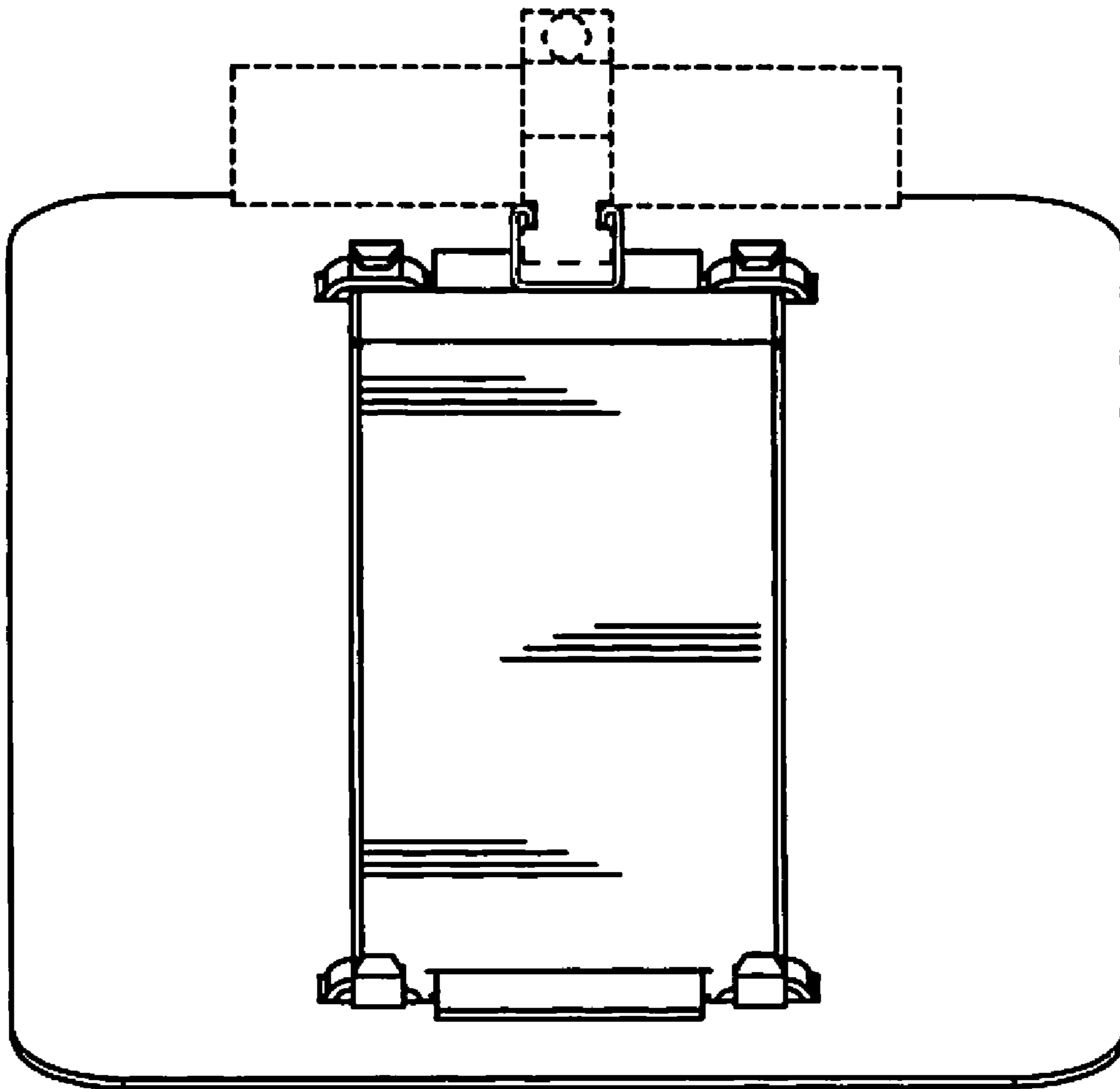


FIGURE 15

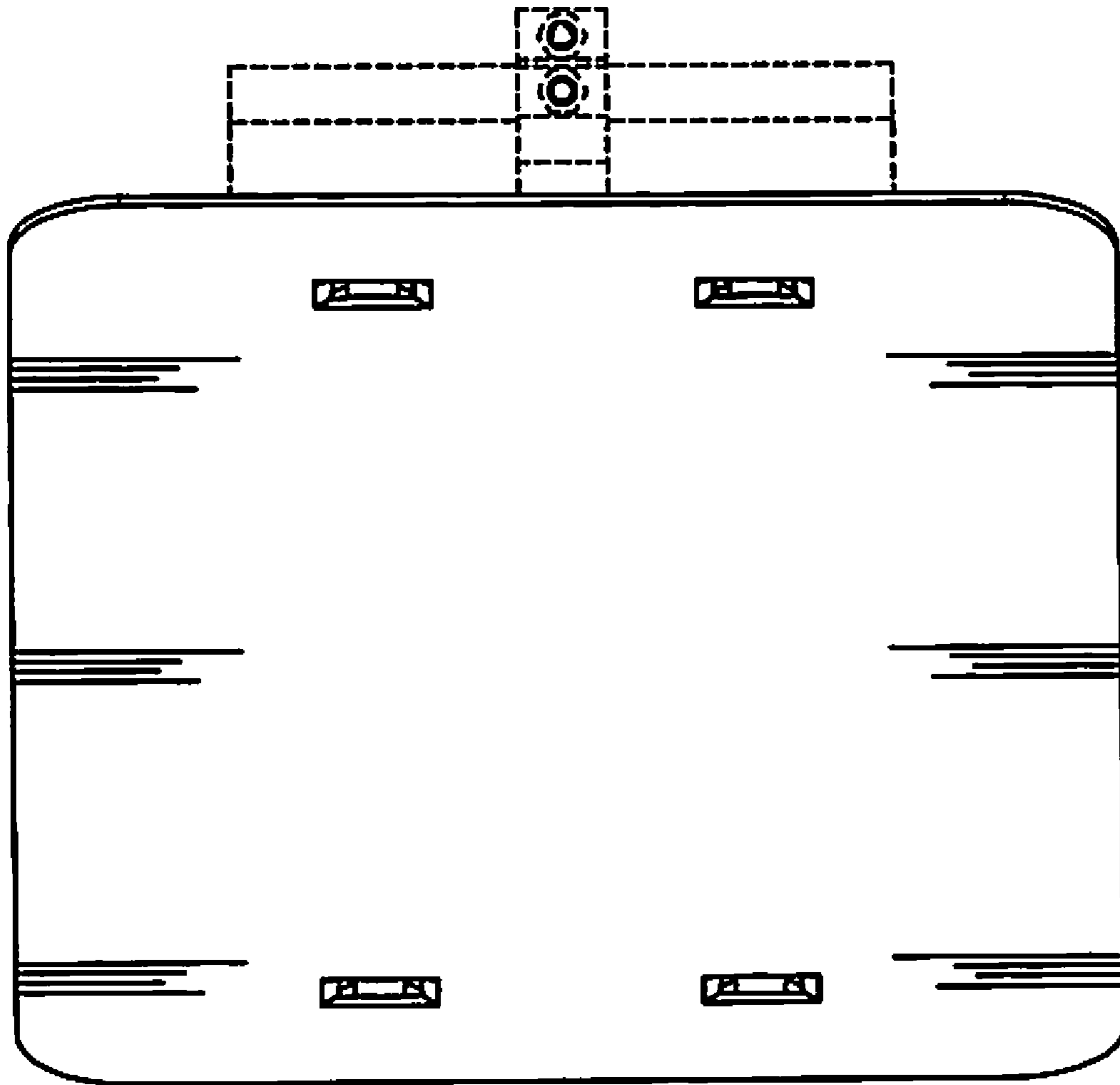


FIGURE 16

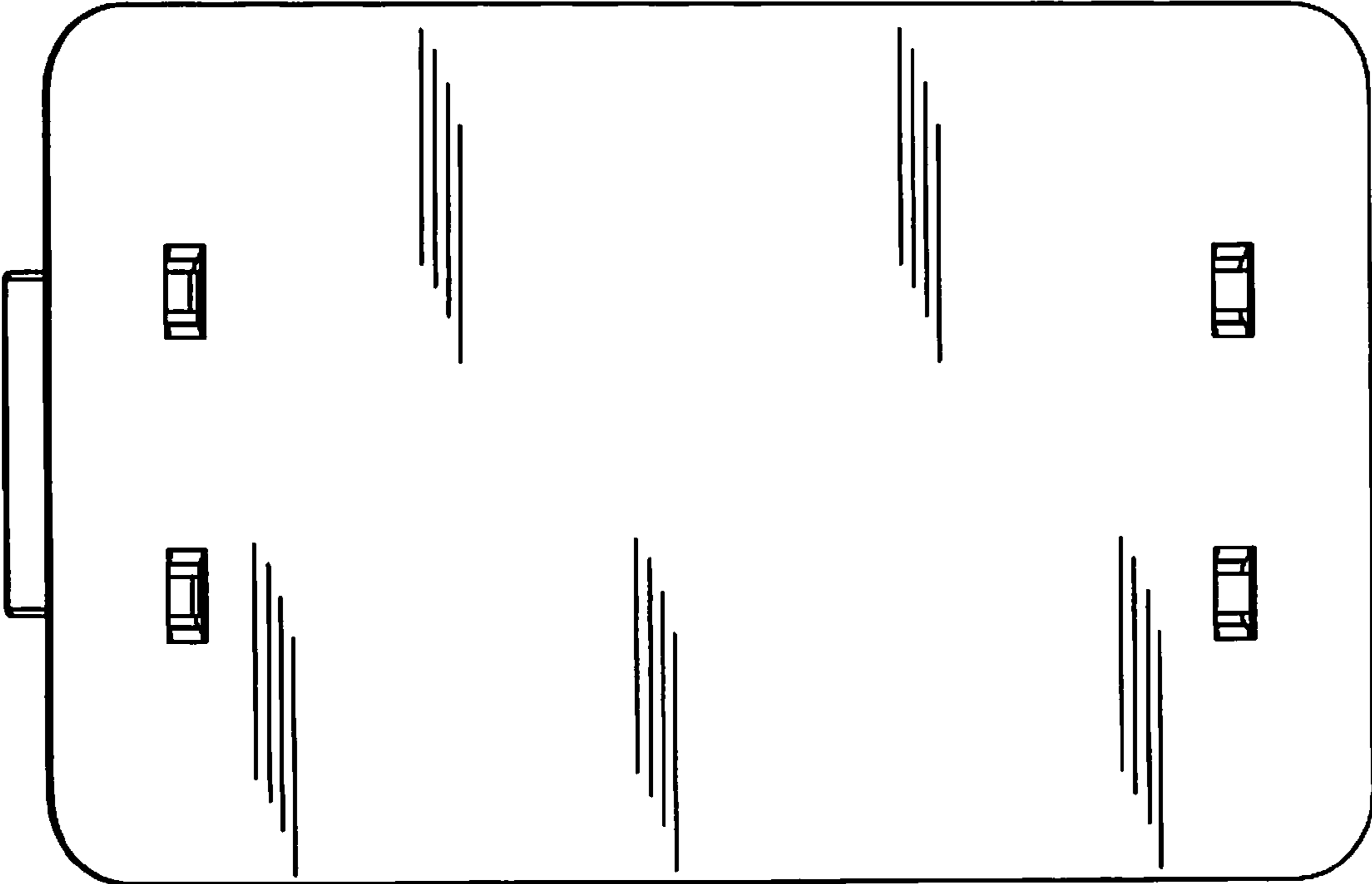


FIGURE 17

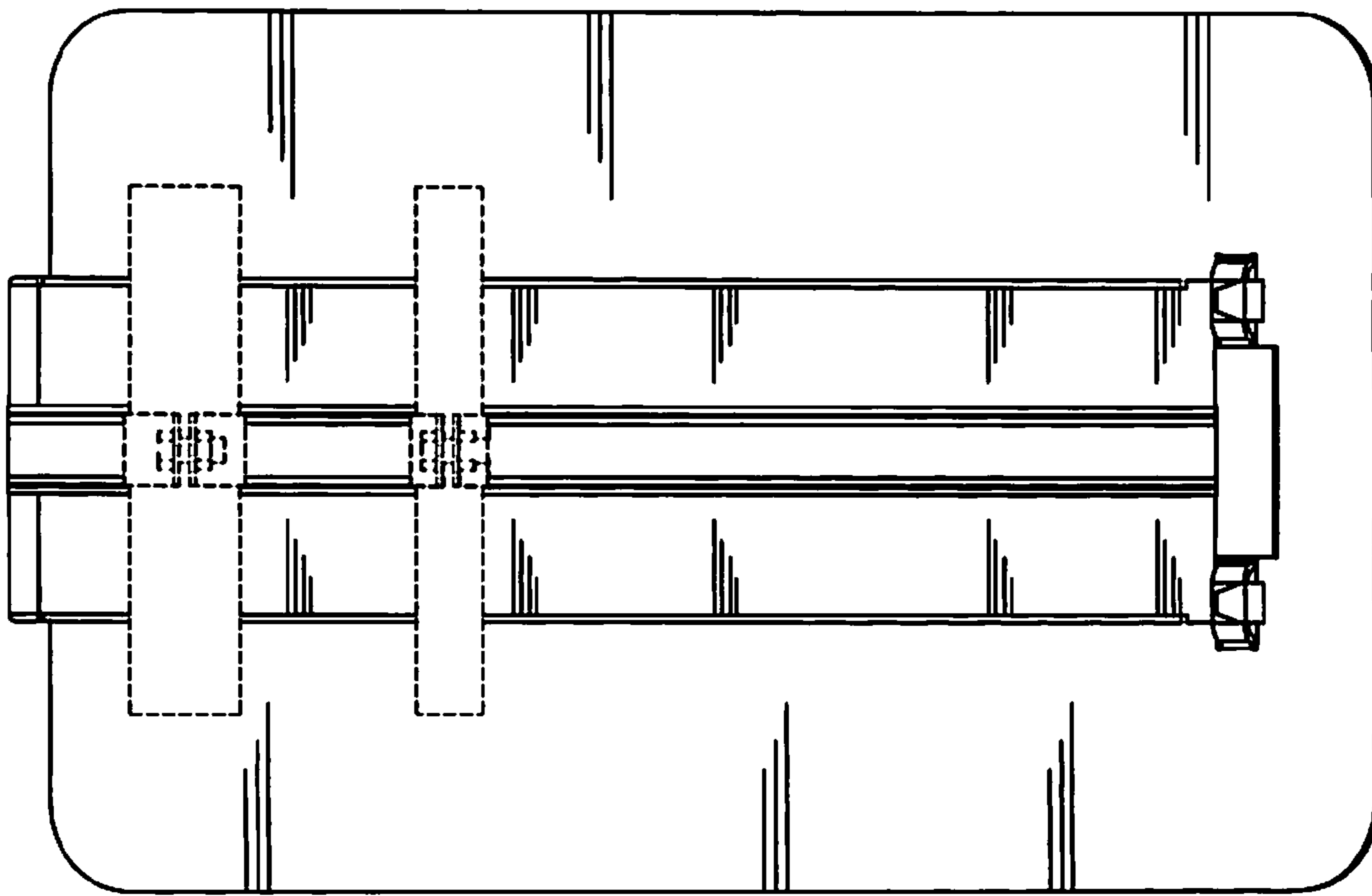


FIGURE 18

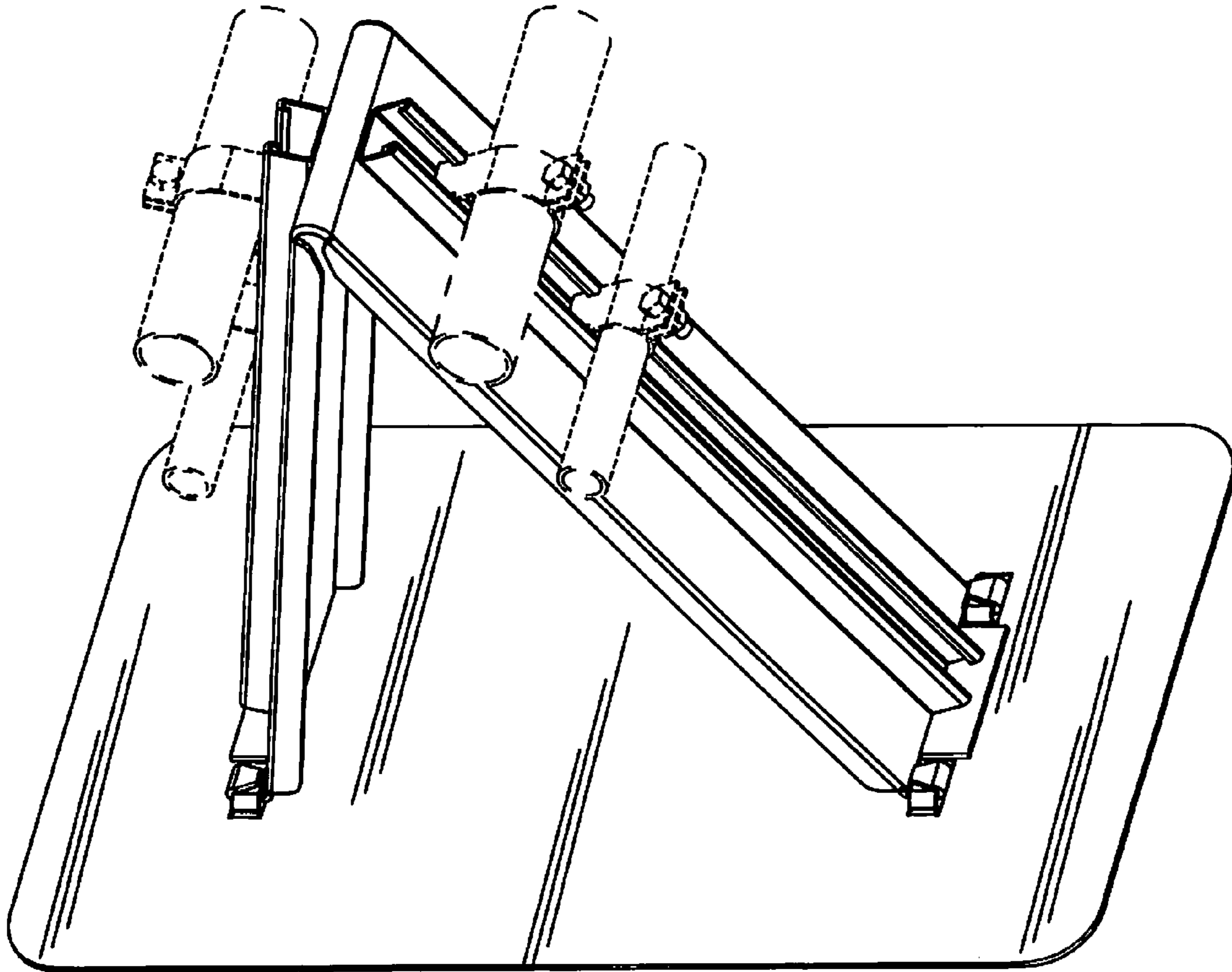


FIGURE 19

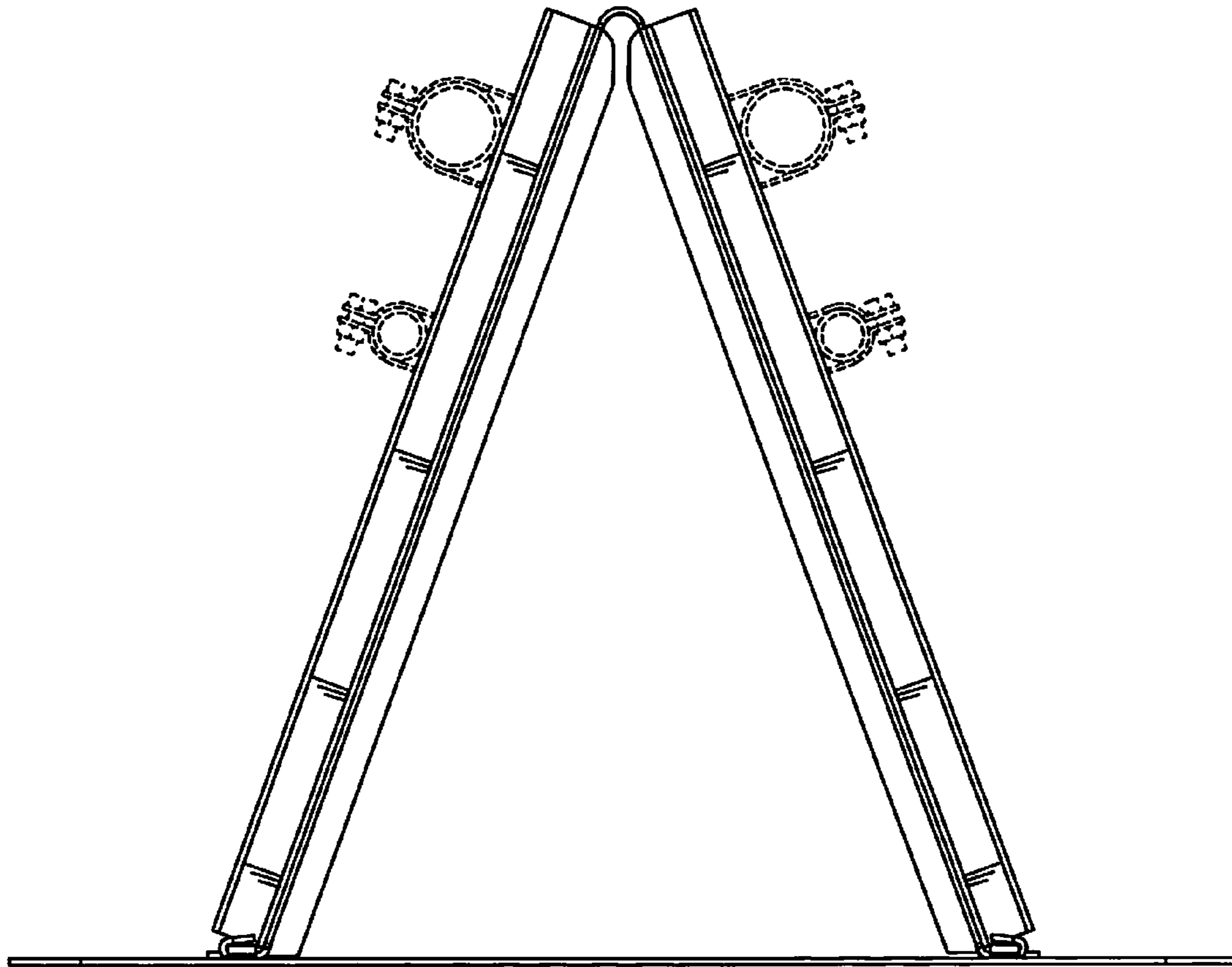


FIGURE 20

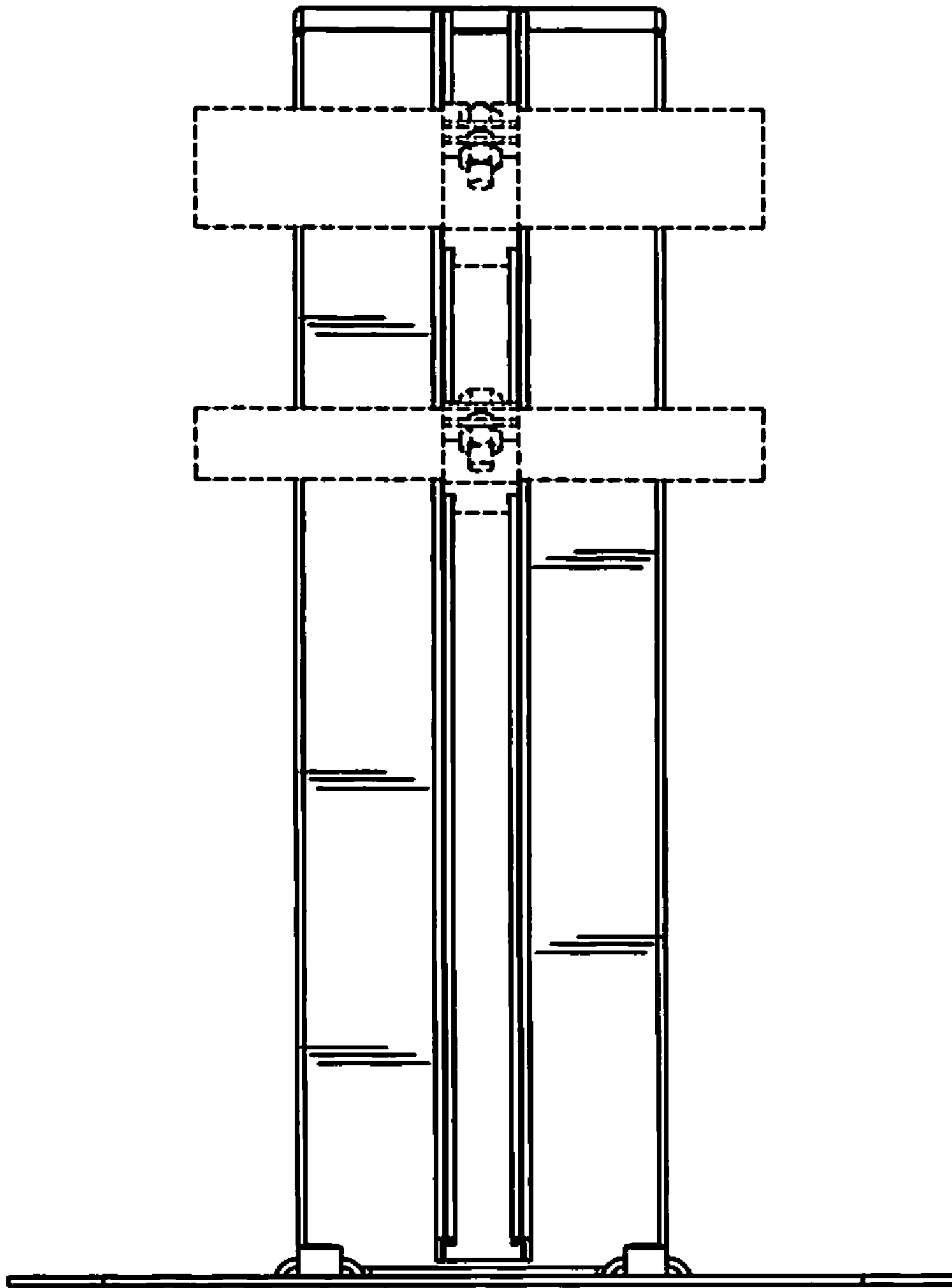


FIGURE 21

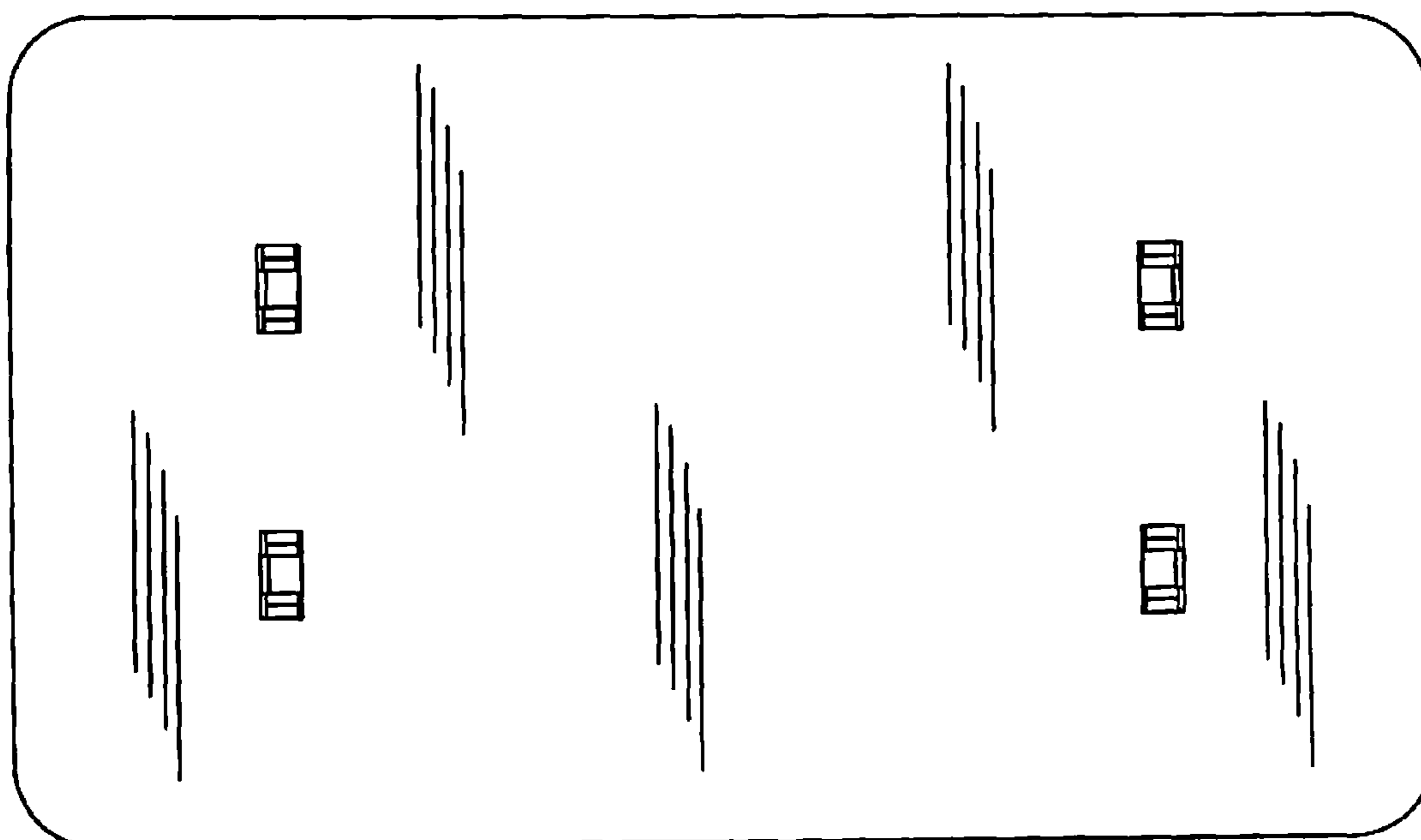


FIGURE 22

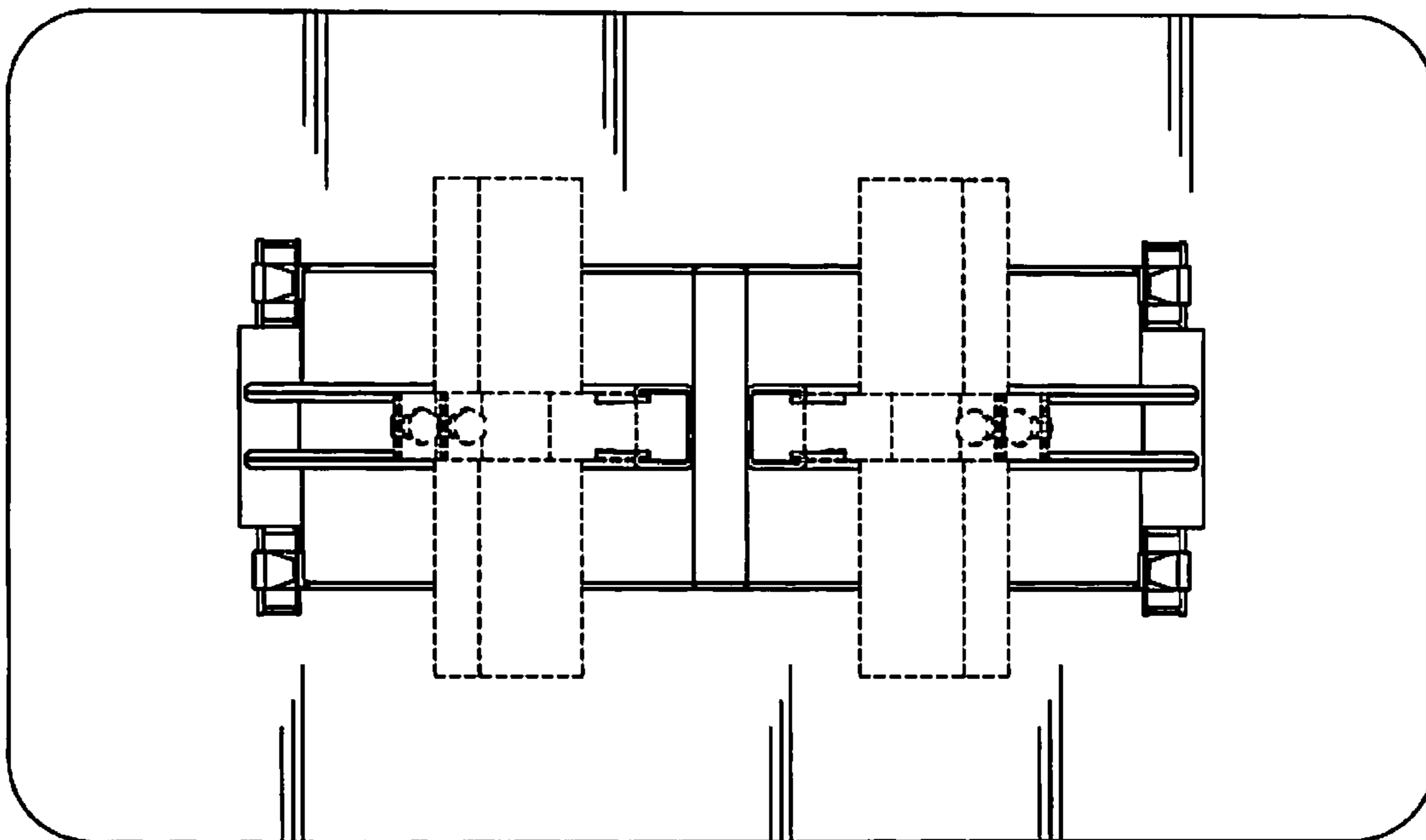


FIGURE 23