

US00D621683S

(12) **United States Design Patent**
Mullenix

(10) **Patent No.:** **US D621,683 S**

(45) **Date of Patent:** **** Aug. 17, 2010**

(54) **HINGE**

6,182,940 B1 2/2001 Miyamoto
7,594,299 B2 * 9/2009 Kilpinen 16/225

(75) Inventor: **Timothy Mullenix**, 32865 OLD
Bunkerhill Rd., Oregon, OR (US) 97051

OTHER PUBLICATIONS

U.S. Appl. No. 11/447,259, Mullenix.

(73) Assignee: **Timothy Mullenix**, St. Helens, OR (US)

* cited by examiner

(**) Term: **14 Years**

Primary Examiner—Robert M Spear

(21) Appl. No.: **29/316,840**

Assistant Examiner—Cynthia Underwood

(22) Filed: **Nov. 6, 2009**

(74) *Attorney, Agent, or Firm*—Robert J. Ireland

(51) **LOC (9) Cl.** **08-06**

(57) **CLAIM**

(52) **U.S. Cl.** **D8/323**

The ornamental design for a hinge, as shown and described.

(58) **Field of Classification Search** D8/328,
D8/323, 324, 330, 325, 327, 331, 336, 353,
D8/338; D16/334; 4/236, 240; 16/309,
16/235, 275, 244, 379, 390, 430, 241, 238,
16/245, 236, 243, 242, 385, 225, 250; 49/381;
D23/302, 303; 248/682; D10/65, 61, 46;
33/347, 365–390

DESCRIPTION

See application file for complete search history.

FIG. 1 is a perspective view of the hinge open according to the new and unique design, further shown in FIGS. 2-8;

(56) **References Cited**

U.S. PATENT DOCUMENTS

D23,447 S *	7/1894	Hart	D8/328
D30,022 S *	1/1899	Behrens	D8/328
D99,756 S *	5/1936	Atwood	D8/327
D154,365 S *	7/1949	Boye	D8/328
D172,961 S *	9/1954	Gehrie	D8/328
3,503,130 A *	3/1970	Ferguson	33/458
4,630,333 A *	12/1986	Vickers	16/338
5,412,842 A *	5/1995	Riblett	16/334
5,455,987 A *	10/1995	Svehaug	16/267
D419,422 S *	1/2000	Weinerman et al.	D8/328

FIG. 2 is a top side view of the hinge;

FIG. 3 is a bottom side view of the hinge;

FIG. 4 is a right side view of the hinge;

FIG. 5 is a left side view of the hinge;

FIG. 6 is an enlarged first end view of the hinge;

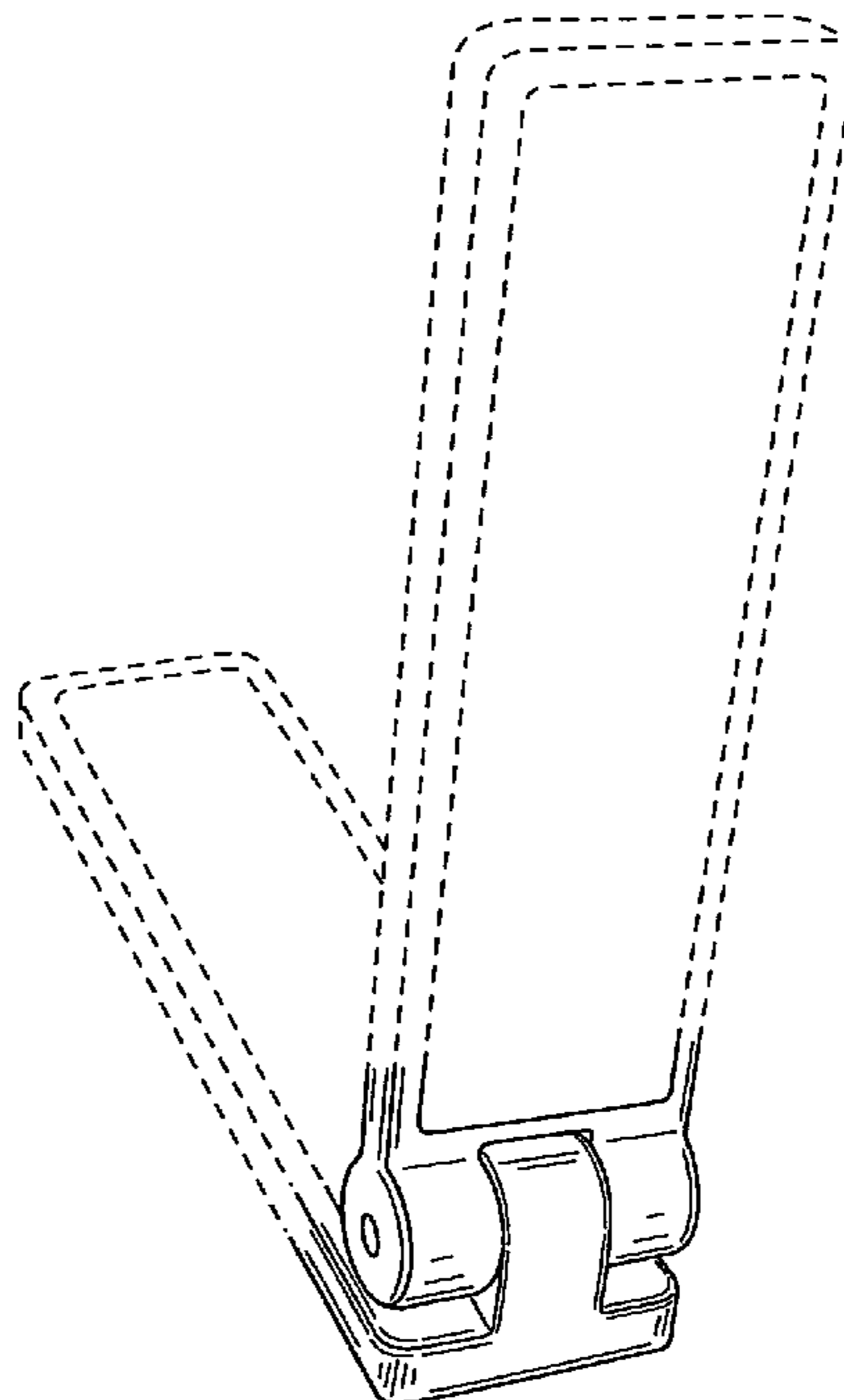
FIG. 7 is an enlarged second end view of the hinge; and,

FIG. 8 is a perspective view with the hinge in the closed position.

The broken lines represent portions of the structure that form no part of the claim.

The novel feature is the cylindrically shaped portion having a centered pin pivot as shown and described in FIGS. 1-8.

1 Claim, 7 Drawing Sheets



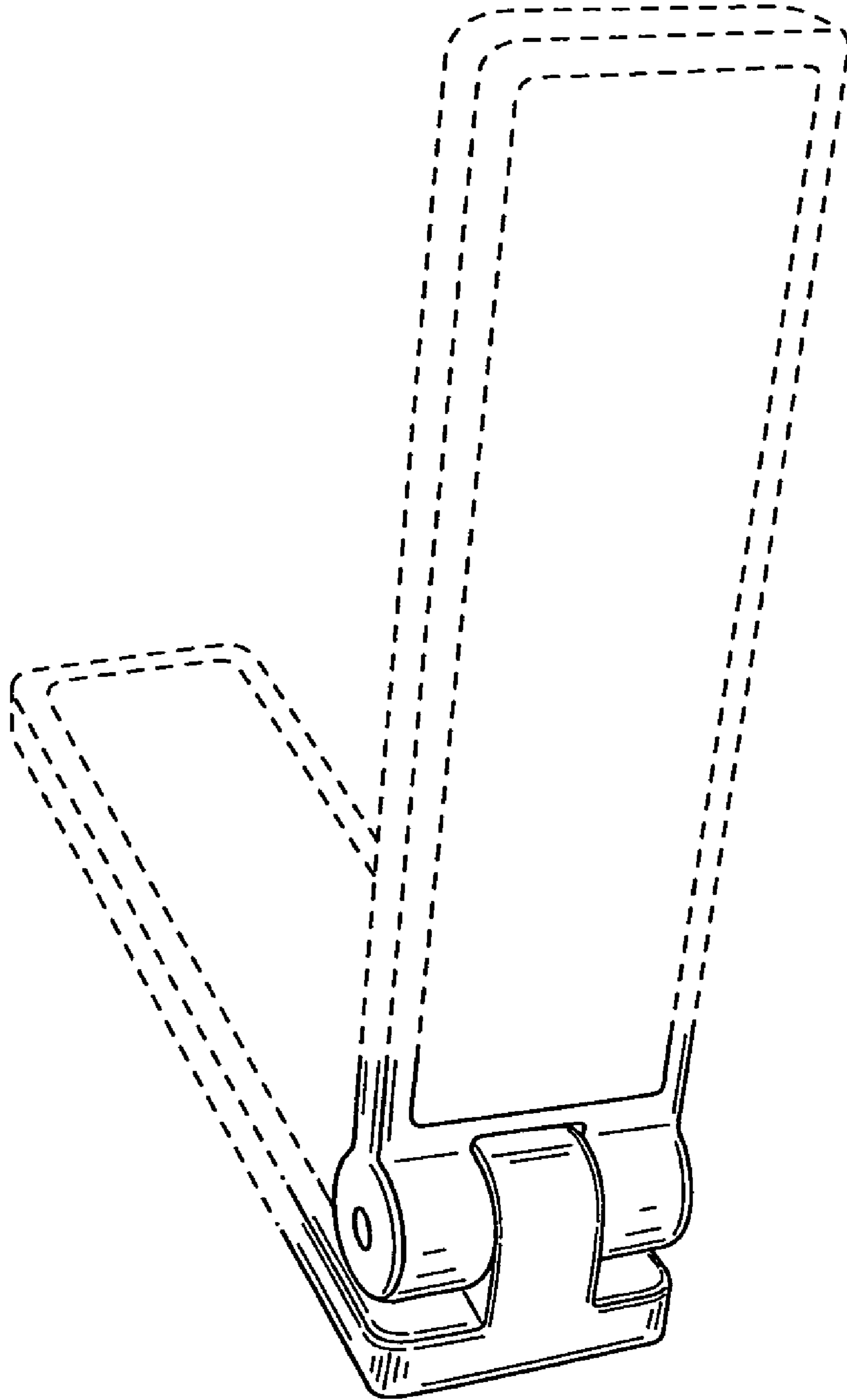


FIGURE 1

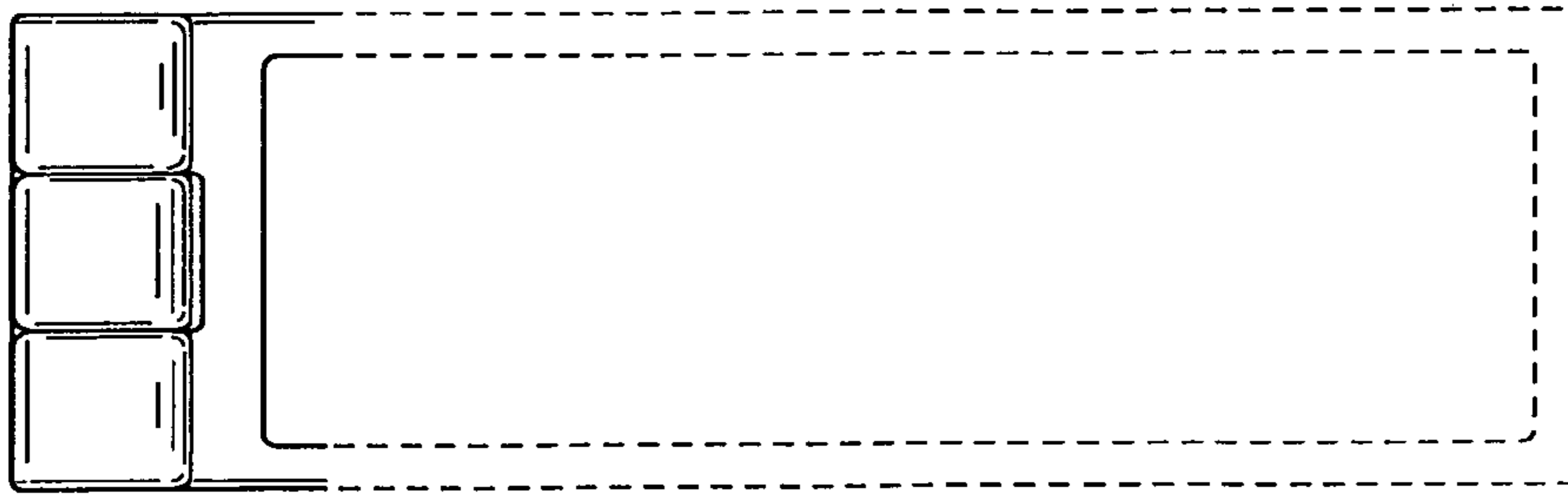


FIGURE 2



FIGURE 3

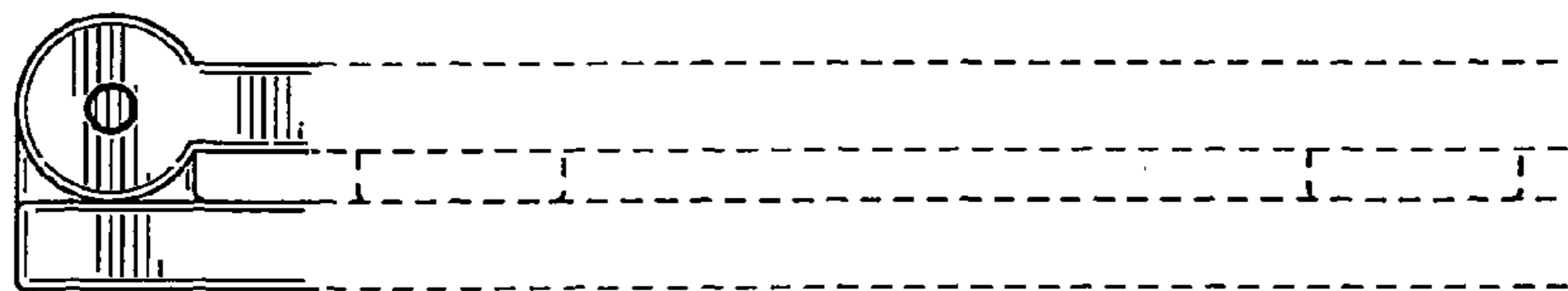


FIGURE 4

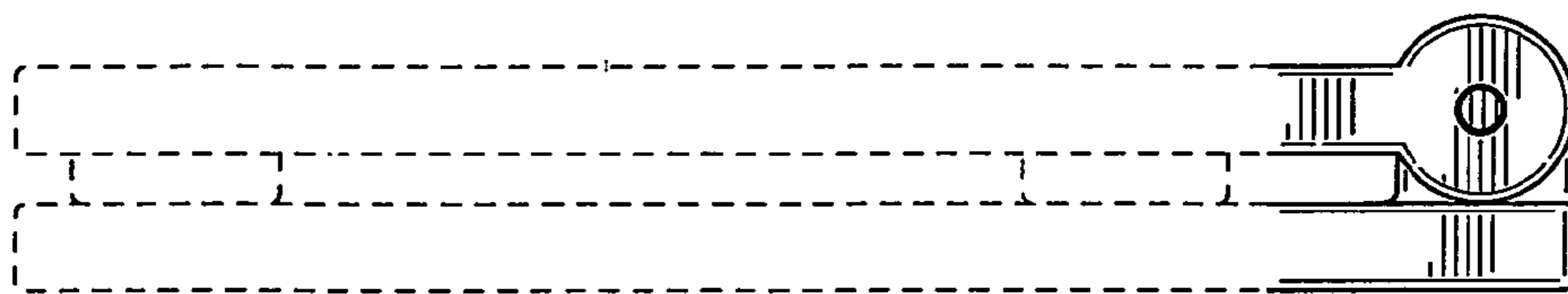


FIGURE 5

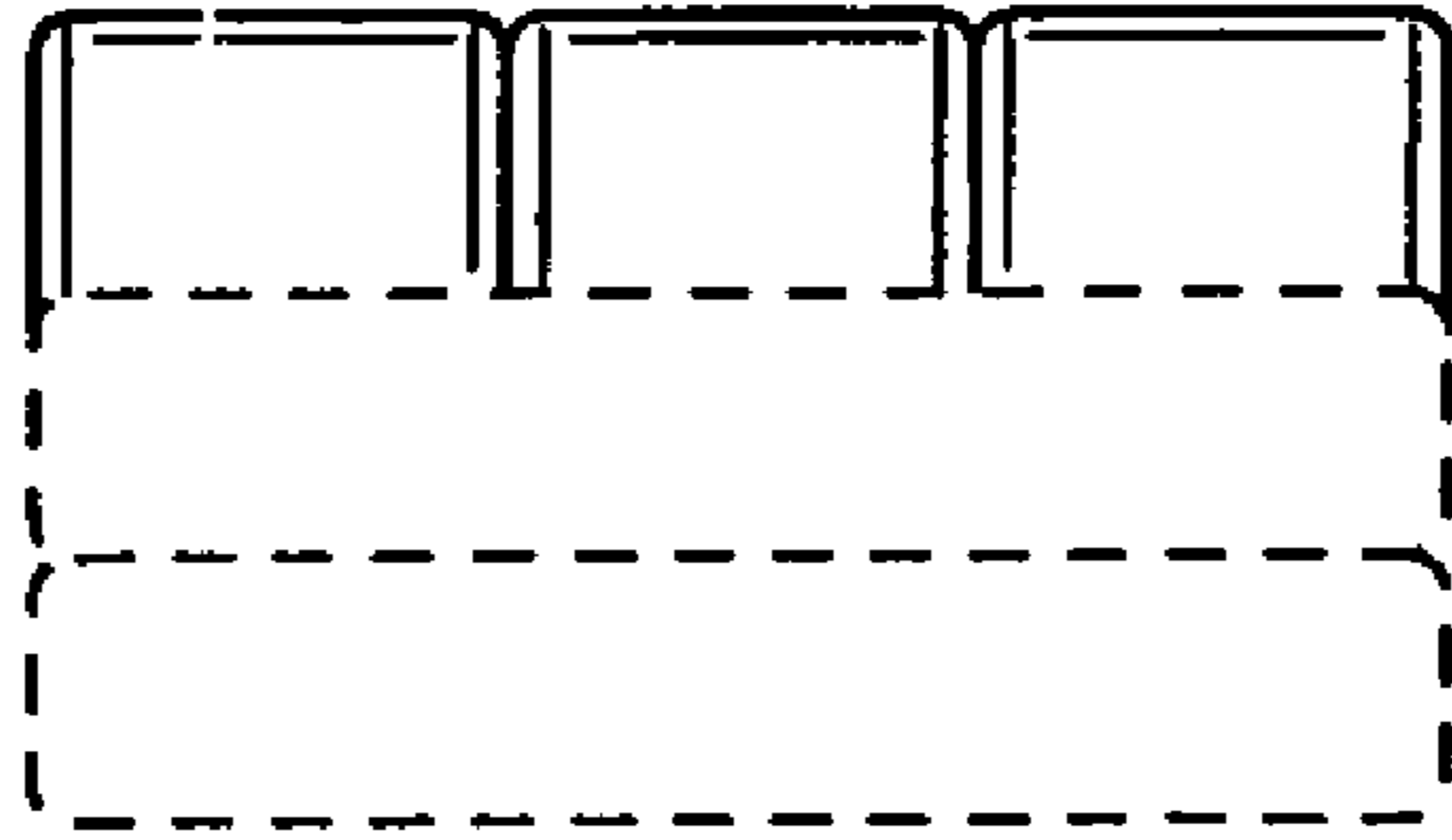


FIGURE 6

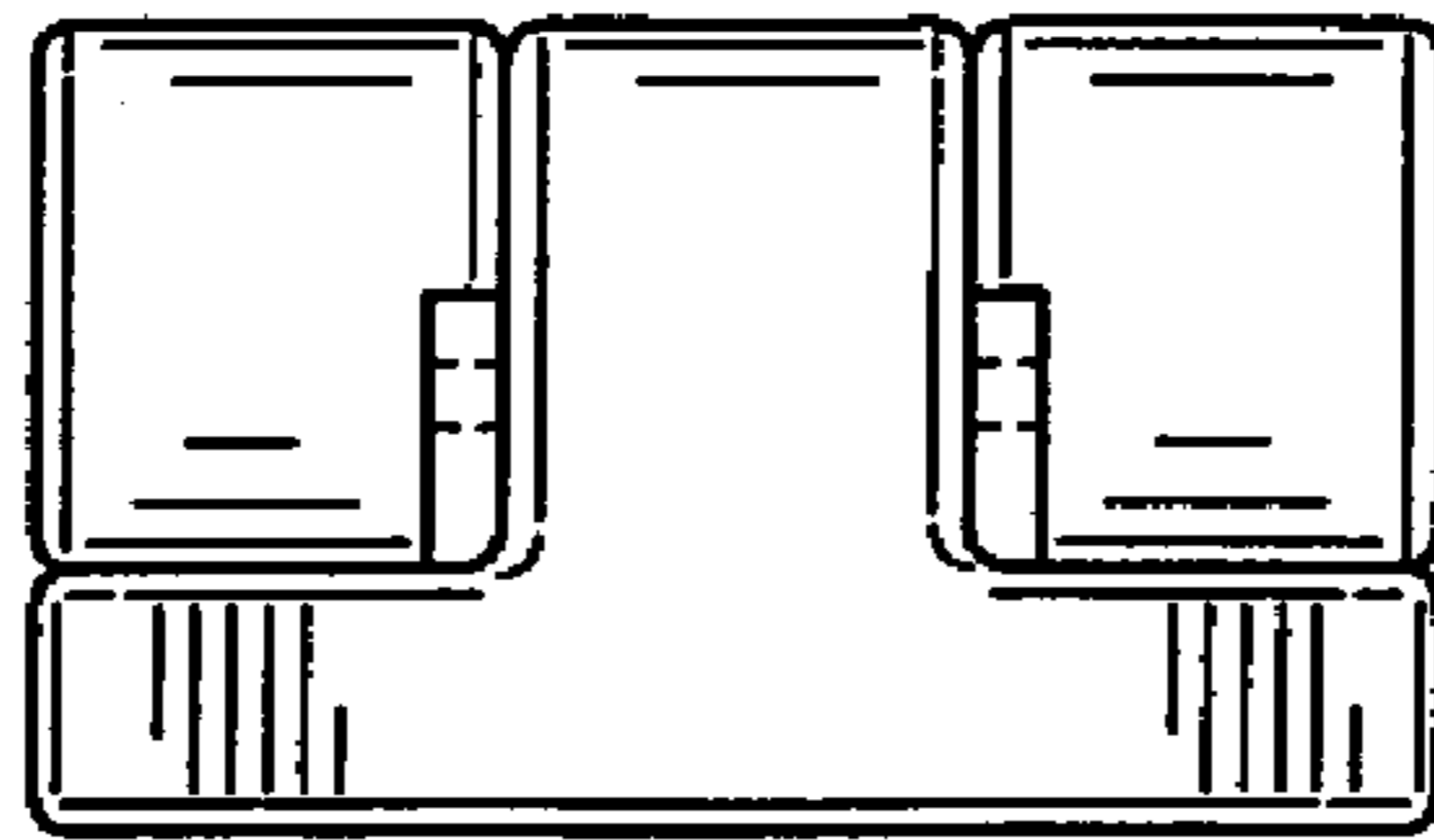


FIGURE 7

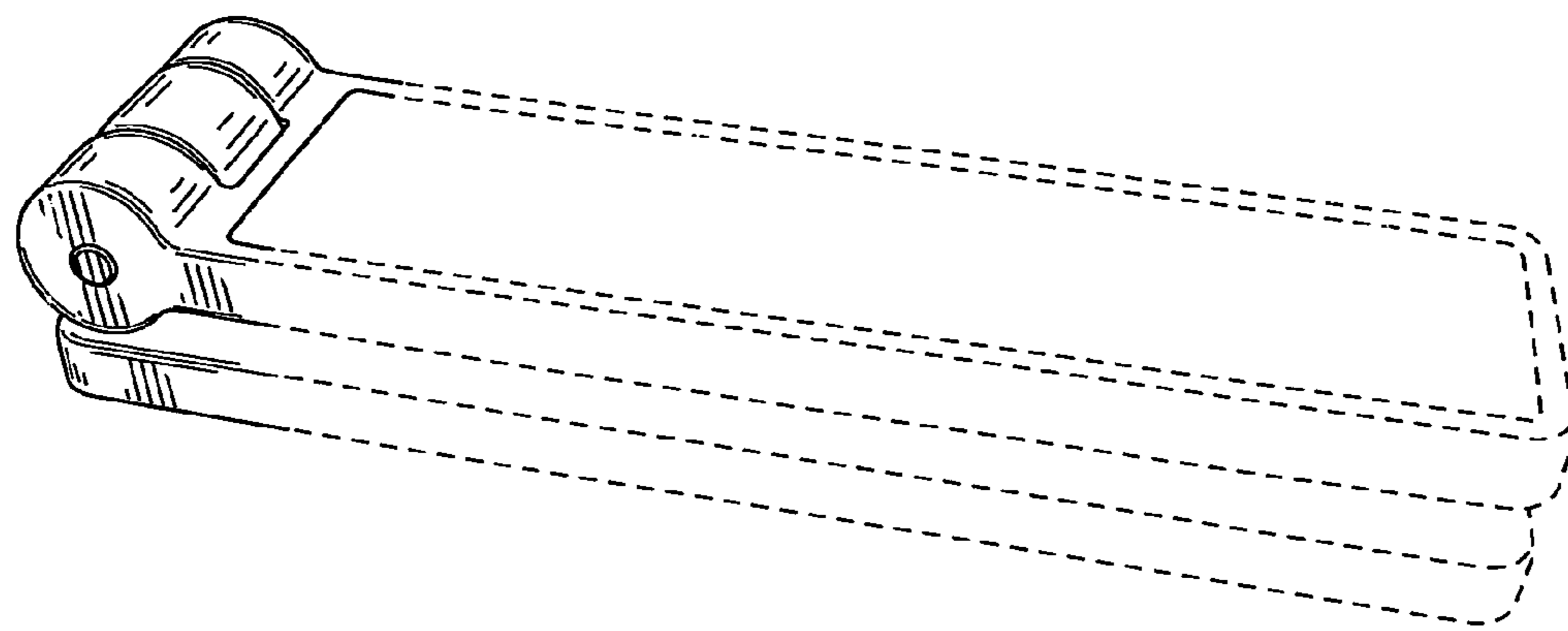


FIGURE 8