



US00D621677S

(12) **United States Design Patent**
Koehn

(10) **Patent No.:** **US D621,677 S**

(45) **Date of Patent:** **** Aug. 17, 2010**

(54) **AIR TOOL HOLDER**

(57) **CLAIM**

(75) Inventor: **Vincent Koehn**, Montezuma, KS (US)

The ornamental design for a air tool holder, as shown and described.

(73) Assignee: **Montezuma Mfg., Inc.**, Montezuma, KS (US)

(**) Term: **14 Years**

DESCRIPTION

(21) Appl. No.: **29/352,747**

FIG. 1 is a front perspective view of an air tool holder of the present invention in an environment;

(22) Filed: **Dec. 24, 2009**

FIG. 2 is enlarged front perspective view of the air tool holder of the present invention;

(51) **LOC (9) Cl.** **08-05**

FIG. 3 is a top plan view thereof;

(52) **U.S. Cl.** **D8/70**

FIG. 4 is a right side elevation view thereof with a left side elevation view being a mirror image;

(58) **Field of Classification Search** D8/70,
D8/371, 380, 381; D25/121; 206/214, 372-379;
220/270, 271, 522; 248/121, 690, 692, 612,
248/174, 201, 207, 213.2, 215, 247, 248,
248/300, 301; 312/90, DIG. 33

FIG. 5 is a front elevation view thereof; and,

See application file for complete search history.

FIG. 6 is bottom plan view thereof.

A rear elevation view has been omitted as it does not form a portion of the claimed design.

(56) **References Cited**

The evenly spaced broken lines shown in the drawings are directed to environment, are for informational purposes only, and form no part of the claimed design.

U.S. PATENT DOCUMENTS

- 1,896,678 A * 2/1933 Myers 206/476
- D287,179 S * 12/1986 Kuykendall D34/31
- D380,953 S * 7/1997 Norgaard D8/71
- D426,127 S * 6/2000 Boelling D8/71

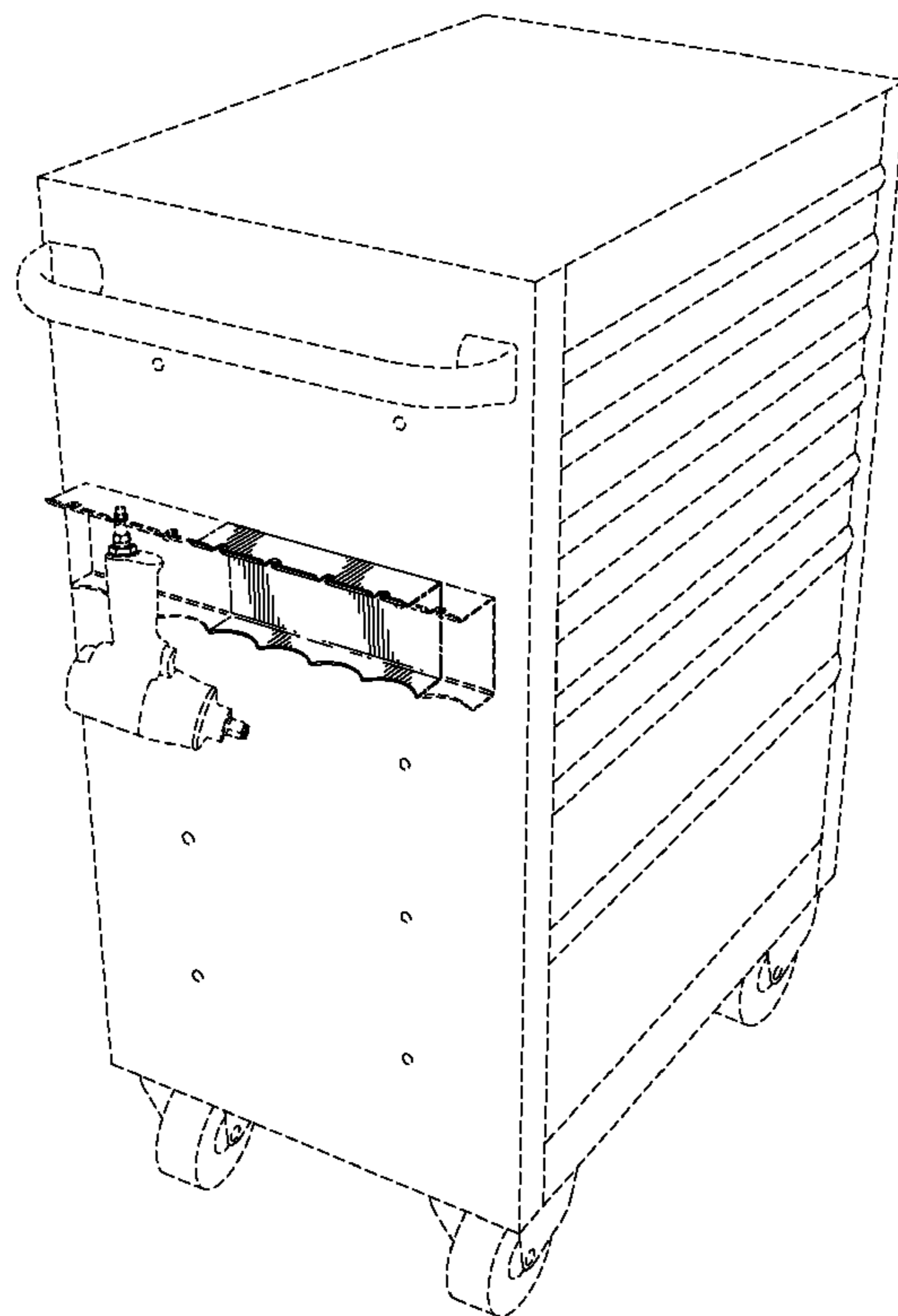
The long and short broken lines are boundary lines which define the bounds of the claimed design. These boundaries do not exist in reality in the article embodying the design. It is understood that the claimed design extends to these boundaries but do not include the boundaries.

* cited by examiner

Primary Examiner—Antoine D Davis

1 Claim, 3 Drawing Sheets

(74) *Attorney, Agent, or Firm*—Shook, Hardy & Bacon L.L.P.



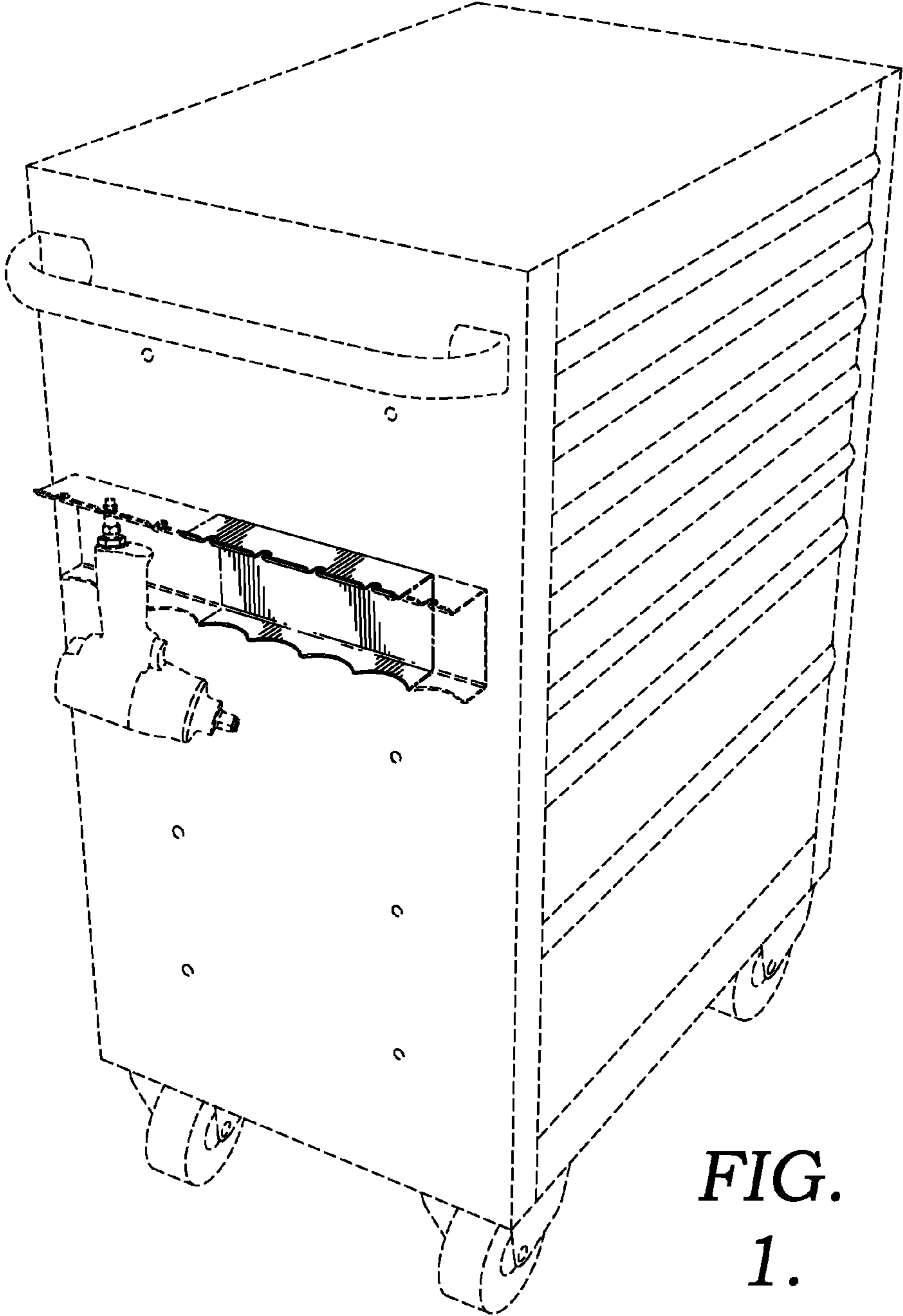


FIG.
1.

FIG.
2.

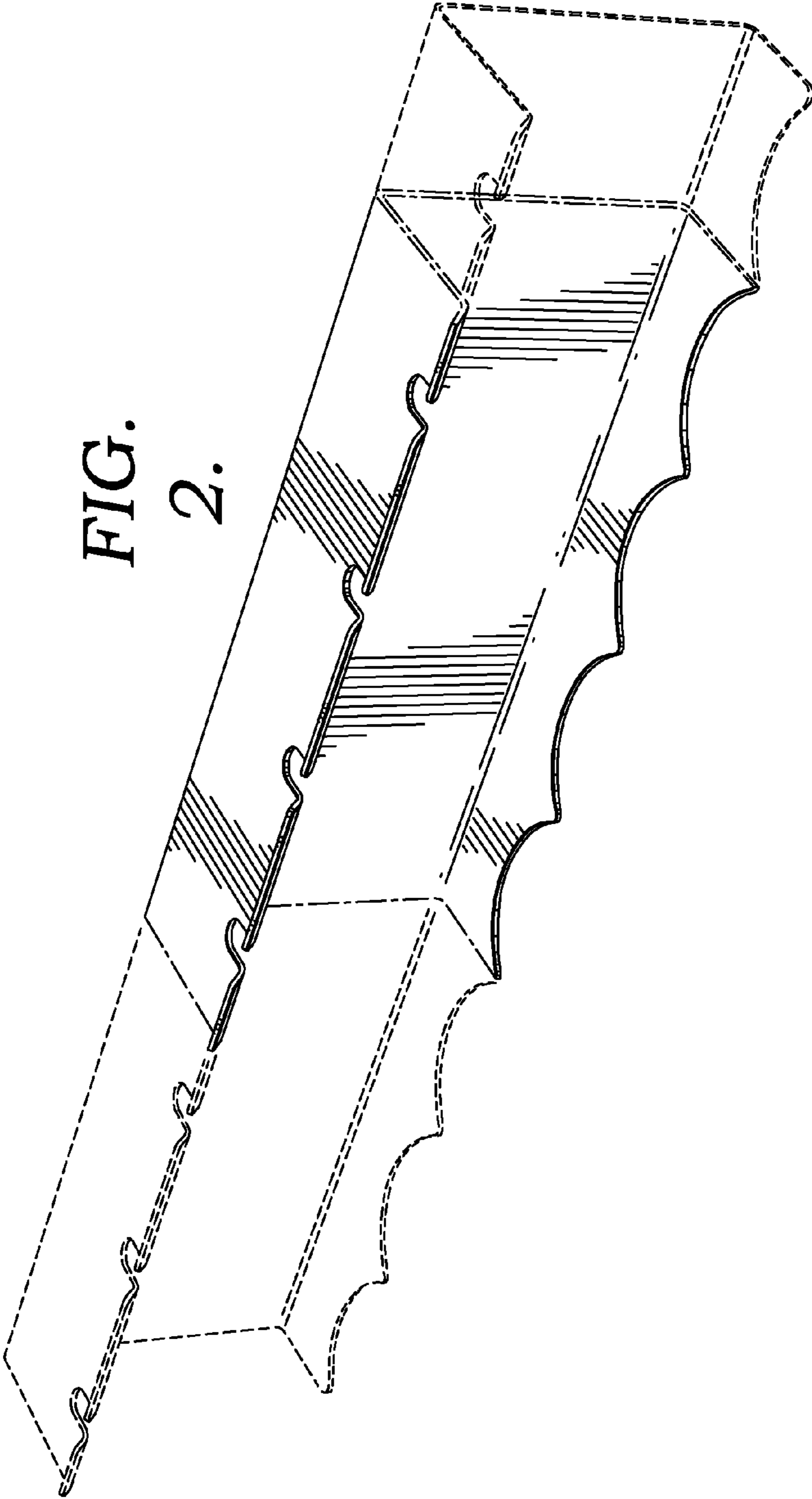
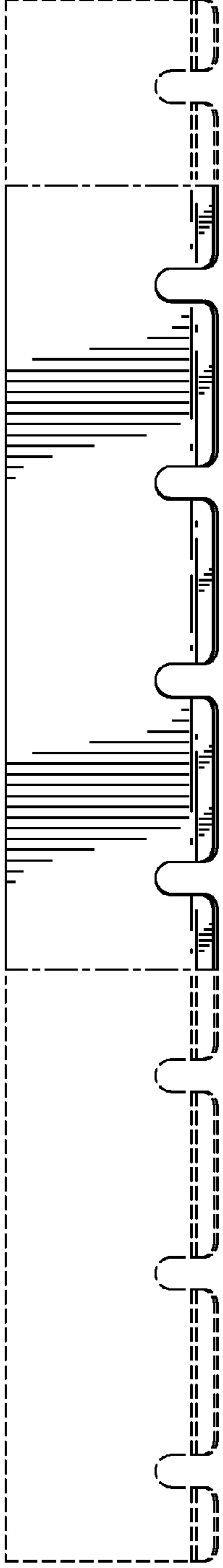


FIG.
3.



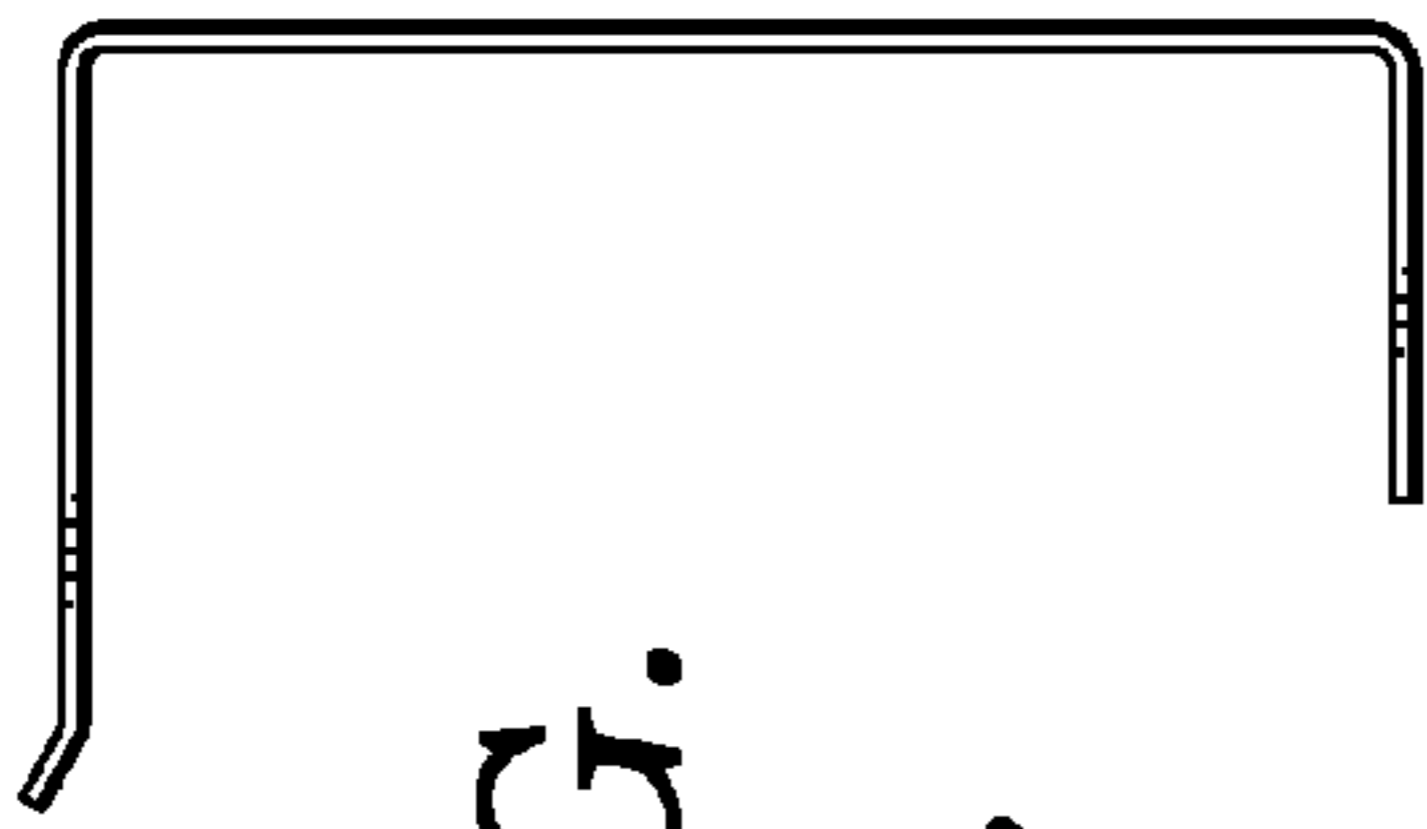


FIG.
4.

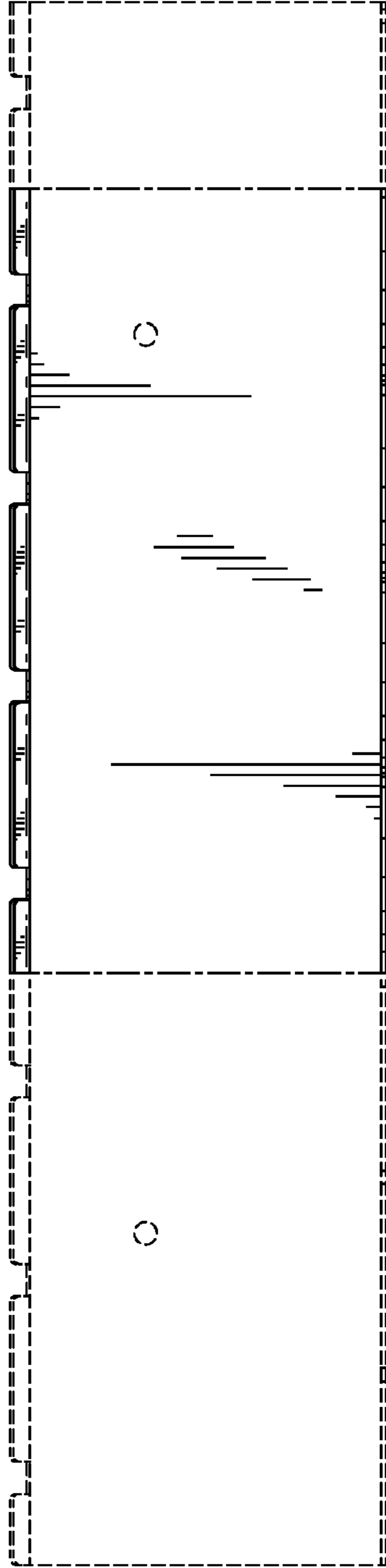


FIG.
5.

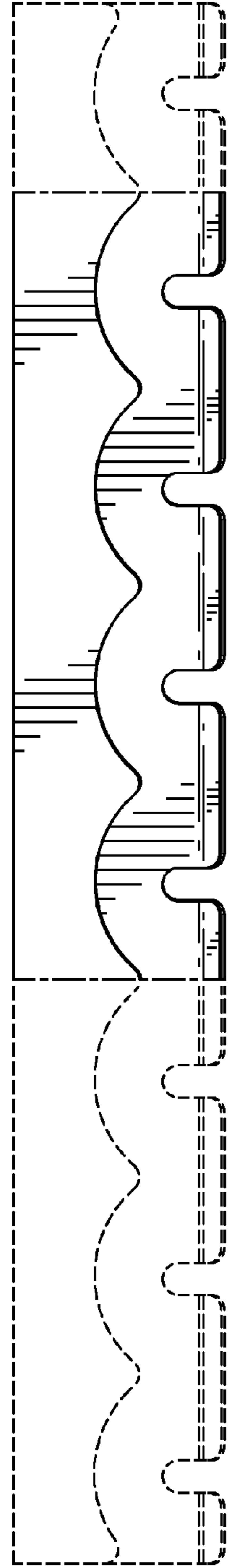


FIG.
6.