



US00D621676S

(12) **United States Design Patent**  
**Baxter**

(10) **Patent No.:** **US D621,676 S**

(45) **Date of Patent:** **\*\* Aug. 17, 2010**

(54) **SANDER**

(75) Inventor: **Mark James Baxter**, New  
Castle-Upon-Tyne (GB)

(73) Assignee: **Black & Decker Inc.**, Newark, DE (US)

(\*\*) Term: **14 Years**

(21) Appl. No.: **29/305,168**

(22) Filed: **Mar. 14, 2008**

(30) **Foreign Application Priority Data**

Feb. 26, 2008 (EM) ..... 000885272

(51) **LOC (9) Cl.** ..... **08-01**

(52) **U.S. Cl.** ..... **D8/62**

(58) **Field of Classification Search** ..... D8/67,  
D8/62, 61; D32/15, 17, 19; D4/102; 451/456,  
451/451, 359, 358, 357, 356, 355, 354, 353,  
451/351, 344

See application file for complete search history.

(56) **References Cited**

**U.S. PATENT DOCUMENTS**

D286,736	S	*	11/1986	Somers	.....	D8/62
D310,007	S	*	8/1990	Saito et al.	.....	D8/62
D323,963	S	*	2/1992	Bunyea	.....	D8/62
D329,362	S	*	9/1992	Saito et al.	.....	D8/62
D335,618	S	*	5/1993	Mogaki	.....	D8/62
D352,437	S	*	11/1994	Chunn et al.	.....	D8/62
D376,304	S	*	12/1996	Clowers et al.	.....	D8/62
D408,245	S	*	4/1999	Evans et al.	.....	D8/62
D448,262	S	*	9/2001	Heun	.....	D8/62

D476,543	S	*	7/2003	Wu	.....	D8/62
D478,488	S	*	8/2003	Bruno et al.	.....	D8/62
D498,399	S	*	11/2004	Wu	.....	D8/62
6,857,948	B2	*	2/2005	Bocka et al.	.....	451/356
D507,731	S	*	7/2005	Robson	.....	D8/62
D509,722	S	*	9/2005	Wikle et al.	.....	D8/62
7,134,951	B1	*	11/2006	Leon et al.	.....	451/520
D538,122	S	*	3/2007	Etter et al.	.....	D8/62
D548,556	S	*	8/2007	Stratford	.....	D8/62
D559,640	S	*	1/2008	Kraus et al.	.....	D8/62
D567,047	S	*	4/2008	Okuda et al.	.....	D8/62

\* cited by examiner

*Primary Examiner*—Austin Murphy

(74) *Attorney, Agent, or Firm*—Stephen R. Valancius

(57) **CLAIM**

The ornamental design for a sander, as shown and described.

**DESCRIPTION**

FIG. 1 is a front perspective view from one side of a sander according to the present invention;

FIG. 2 is a left side view of the sander of FIG. 1;

FIG. 3 is a right side view of the sander of FIG. 1;

FIG. 4 is a front view of the sander of FIG. 1;

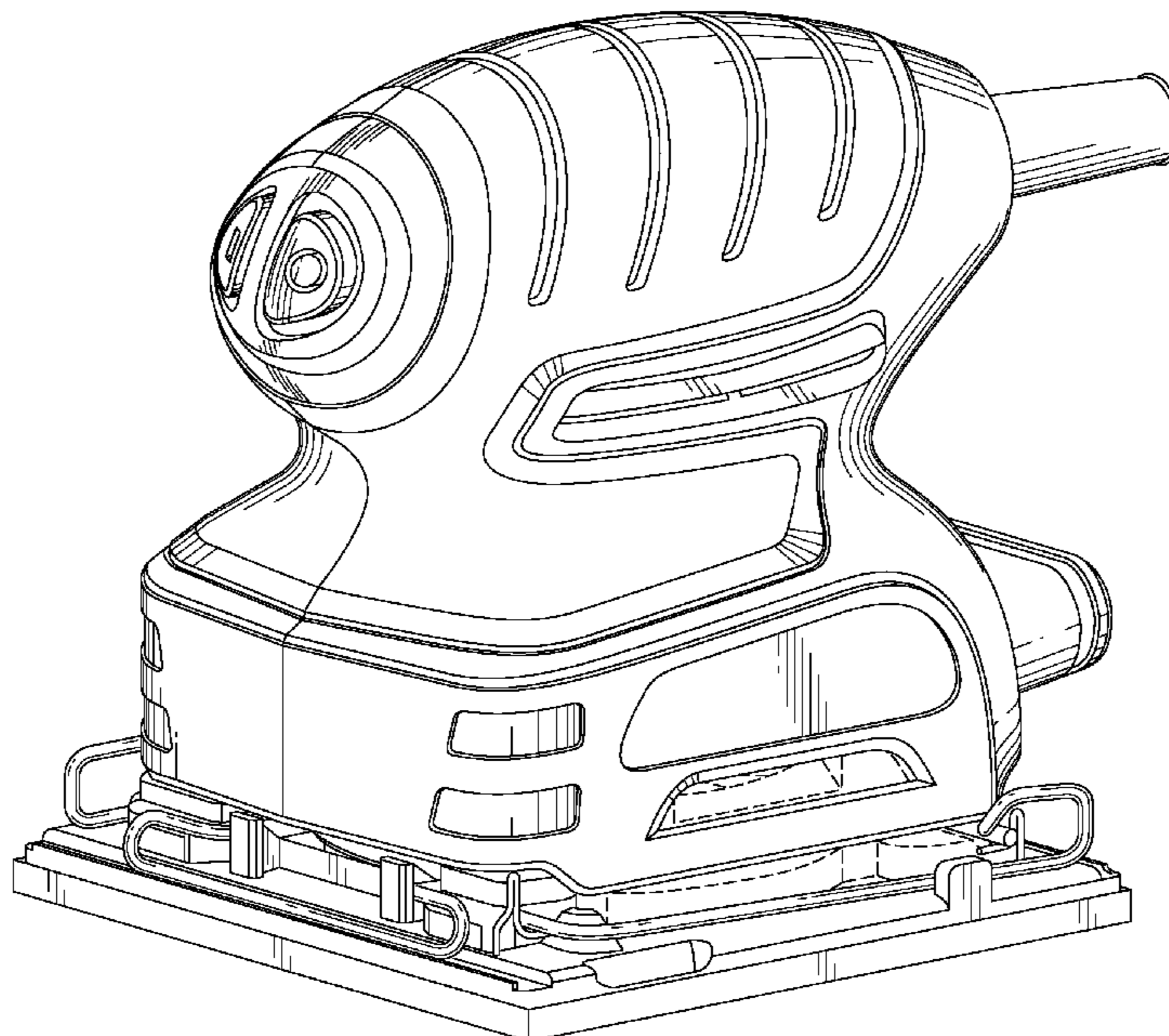
FIG. 5 is a rear view of the sander of FIG. 1;

FIG. 6 is a top view of the sander of FIG. 1; and,

FIG. 7 is a bottom view of the sander of FIG. 1.

The broken lines shown in the drawings represent portions of the sander that form no part of the claimed design.

**1 Claim, 7 Drawing Sheets**



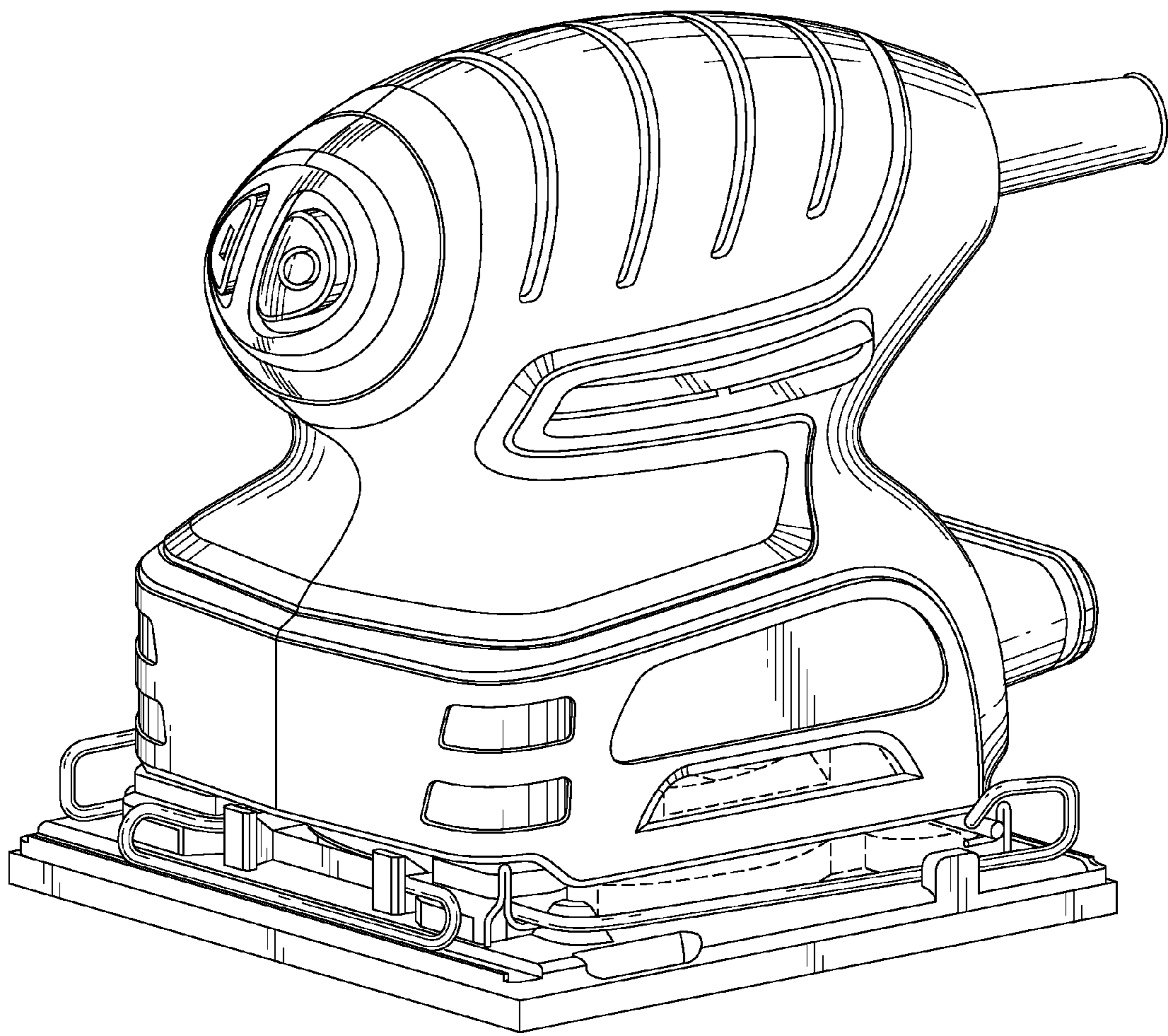


Fig. 1

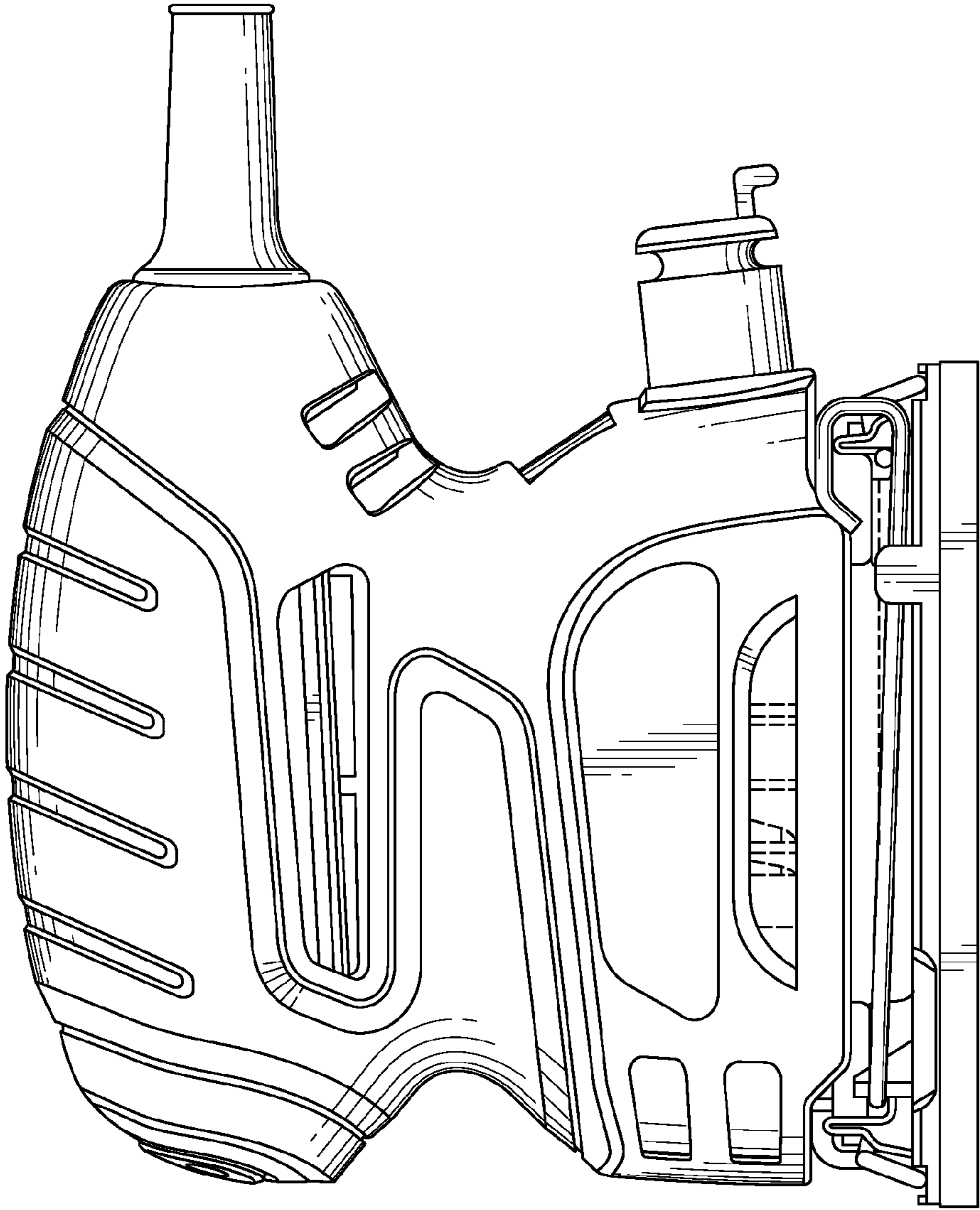


Fig. 2

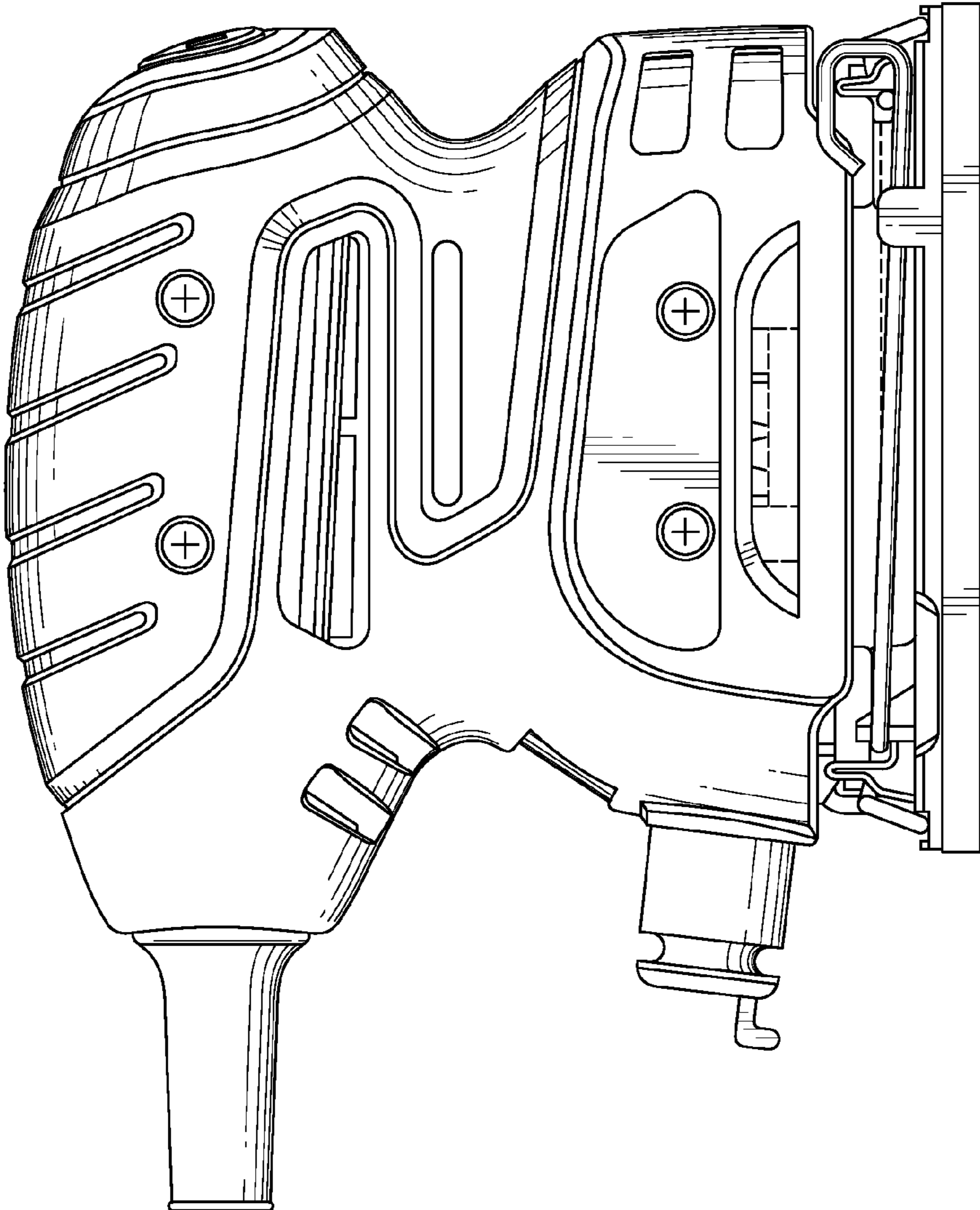


Fig. 3

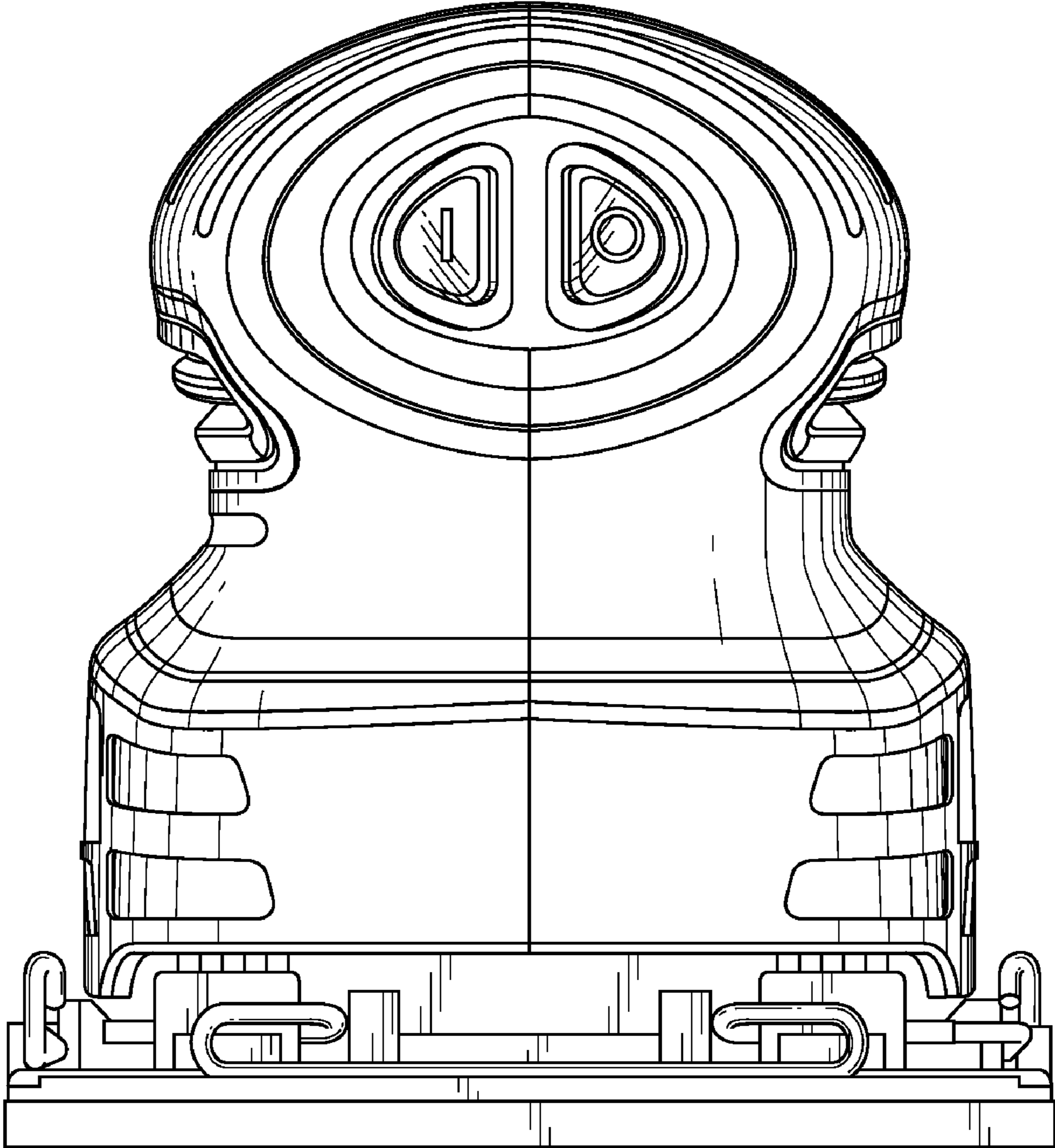


Fig. 4

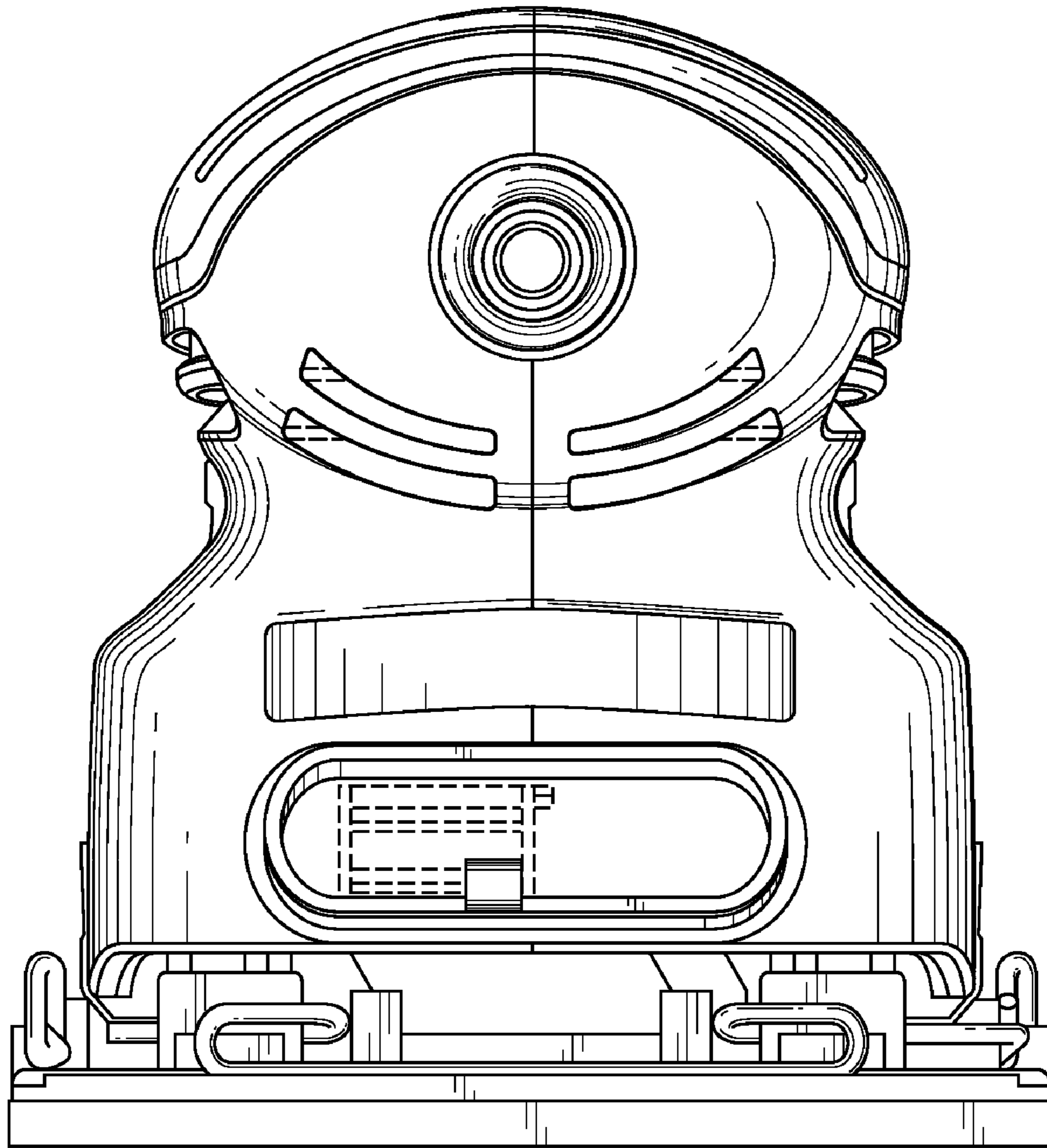


Fig. 5

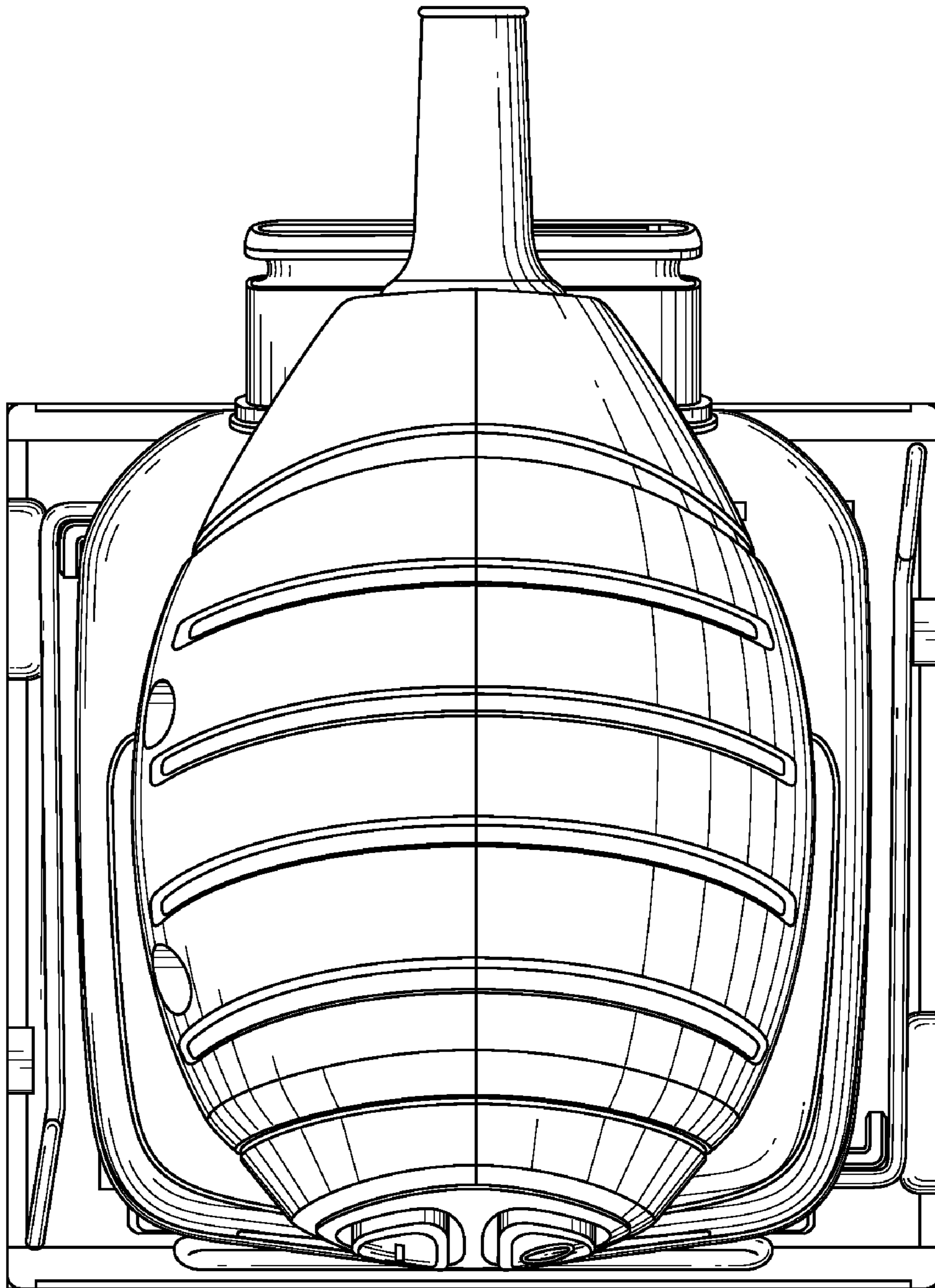


Fig. 6

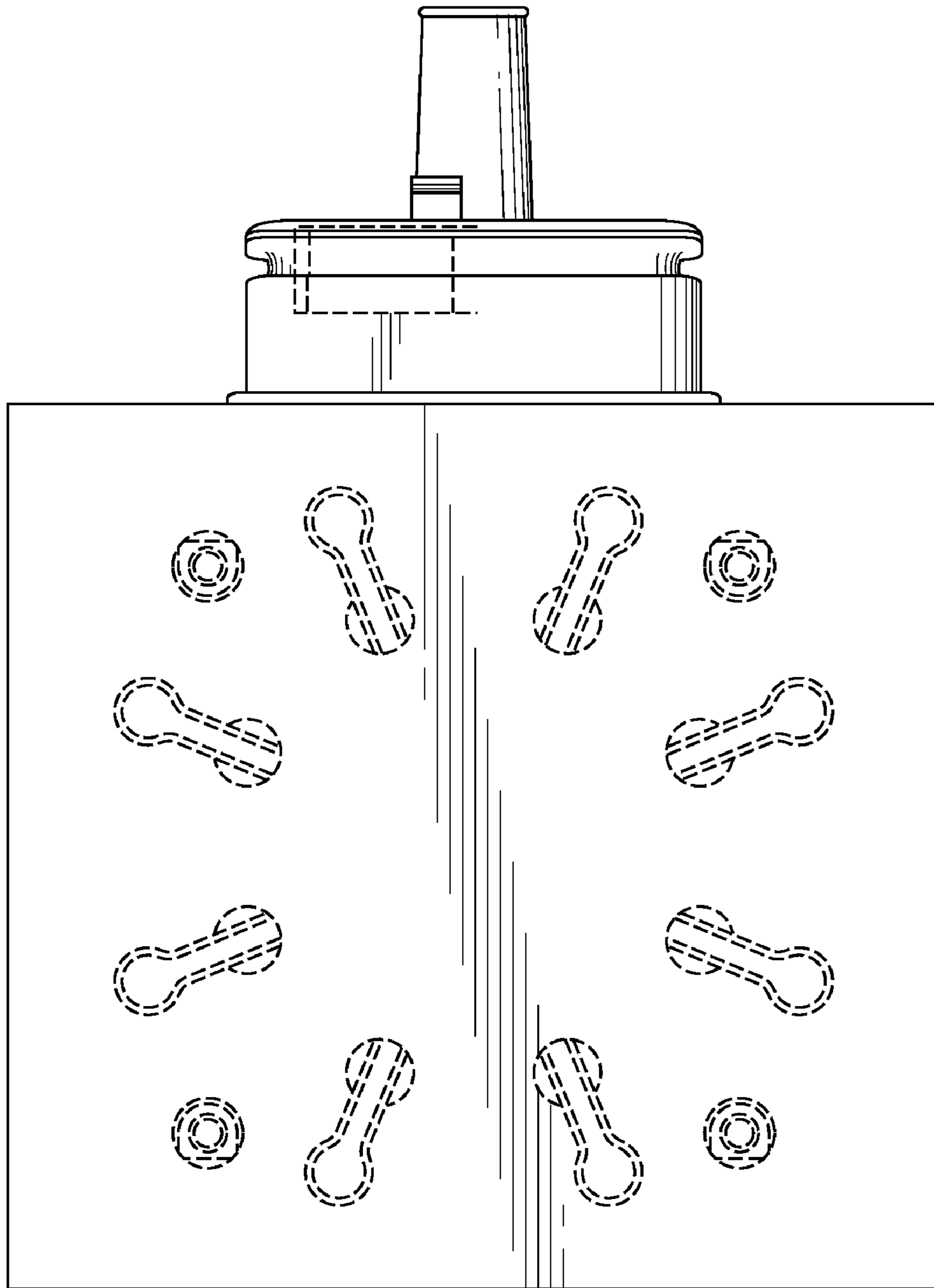


Fig. 7