



US00D621673S

(12) **United States Design Patent**
Armstrong

(10) **Patent No.:** **US D621,673 S**

(45) **Date of Patent:** **** Aug. 17, 2010**

(54) **BACKUP TOOL**

(75) Inventor: **Peter Armstrong**, Houston, TX (US)

(73) Assignee: **Titan Technologies International, Inc.**,
Houston, TX (US)

(**) Term: **14 Years**

(21) Appl. No.: **29/355,556**

(22) Filed: **Feb. 9, 2010**

(51) **LOC (9) Cl.** **08-05**

(52) **U.S. Cl.** **D8/27**

(58) **Field of Classification Search** D8/21-29;
81/60, 177.1, 177.85, 121.1, 124.3, 165-170,
81/110.1, 176.2, 124.6, 176.1, 176.15, 177.2,
81/129, 176.3, 179, 119, 125; 16/110.1
See application file for complete search history.

(56) **References Cited**

U.S. PATENT DOCUMENTS

651,574	A *	6/1900	Meredith	81/98
3,670,604	A *	6/1972	Fromell	81/98
4,084,456	A *	4/1978	Pasbrig	81/177.8
4,408,505	A *	10/1983	Cook	81/98
4,546,678	A *	10/1985	Stuckey	81/90.6
4,594,922	A *	6/1986	Park et al.	81/99
4,694,711	A *	9/1987	Yang	81/57.5
4,838,132	A *	6/1989	Pyles	81/111
4,854,198	A *	8/1989	Batten	81/98

D390,764	S *	2/1998	Boyd et al.	D8/22
D394,793	S *	6/1998	Ma	D8/105
D410,179	S *	5/1999	Hsieh	D8/28
6,718,849	B2 *	4/2004	Haas	81/55

* cited by examiner

Primary Examiner—Robert M Spear

Assistant Examiner—Randall H Gholson

(74) *Attorney, Agent, or Firm*—Wong, Cabello, Lutsch,
Rutherford & Brucculeri, LLP

(57) **CLAIM**

The ornamental design for a backup tool, as shown and described.

DESCRIPTION

FIG. 1 is a perspective view of a backup tool showing my new design.

FIG. 2 is a first side view thereof.

FIG. 3 is a second side view thereof.

FIG. 4 is a front view thereof.

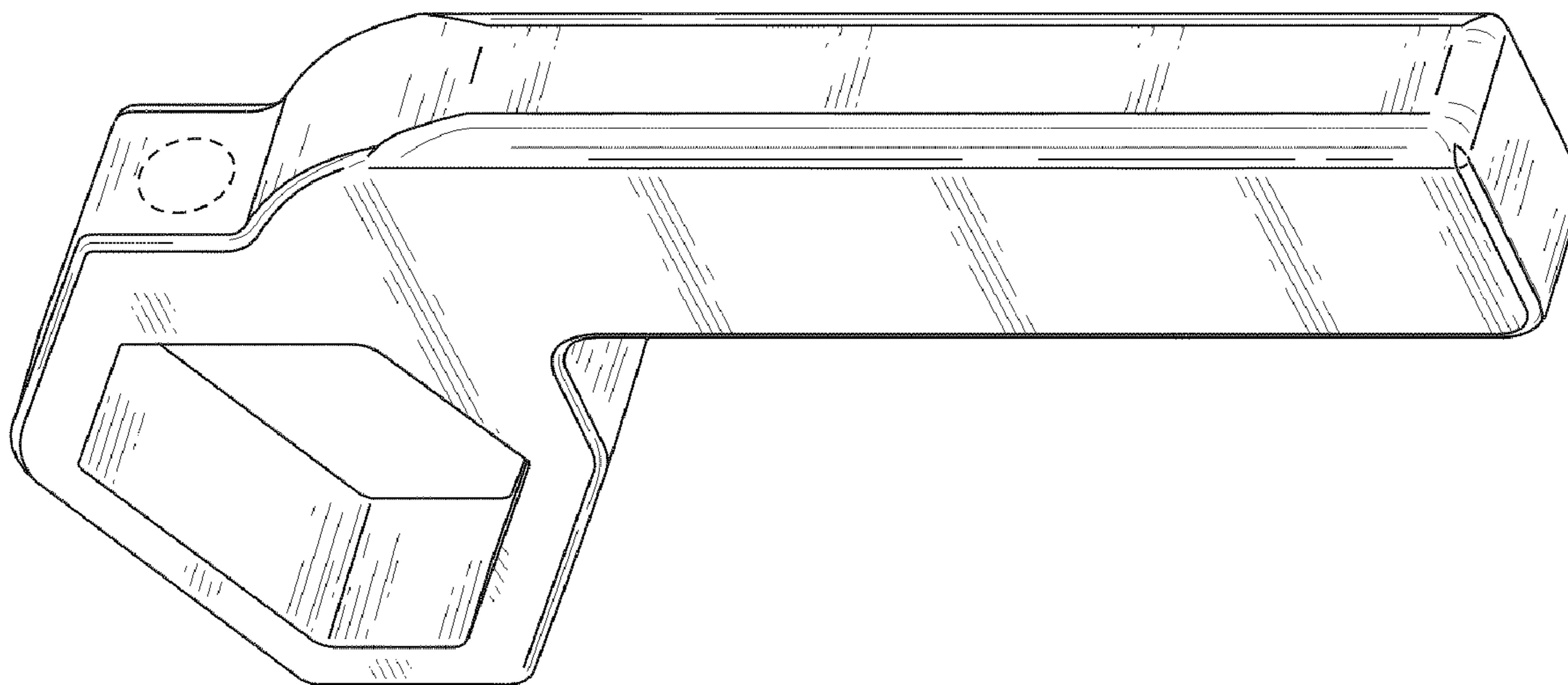
FIG. 5 is a back view thereof.

FIG. 6 is a top view thereof; and,

FIG. 7 is a bottom view thereof.

The broken lines immediately adjacent to the shaded areas in FIGS. 1 and 6 represent unclaimed boundaries of the design.

1 Claim, 2 Drawing Sheets



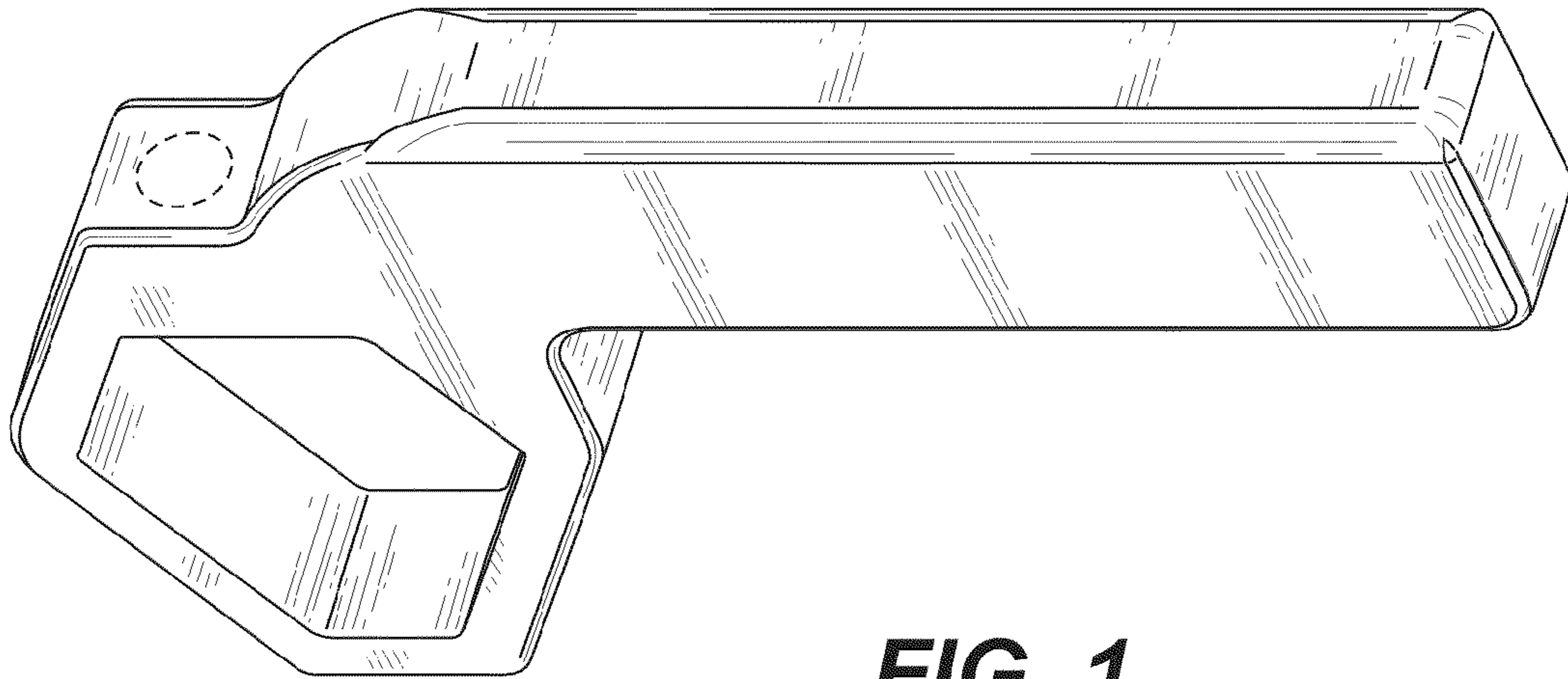


FIG. 1

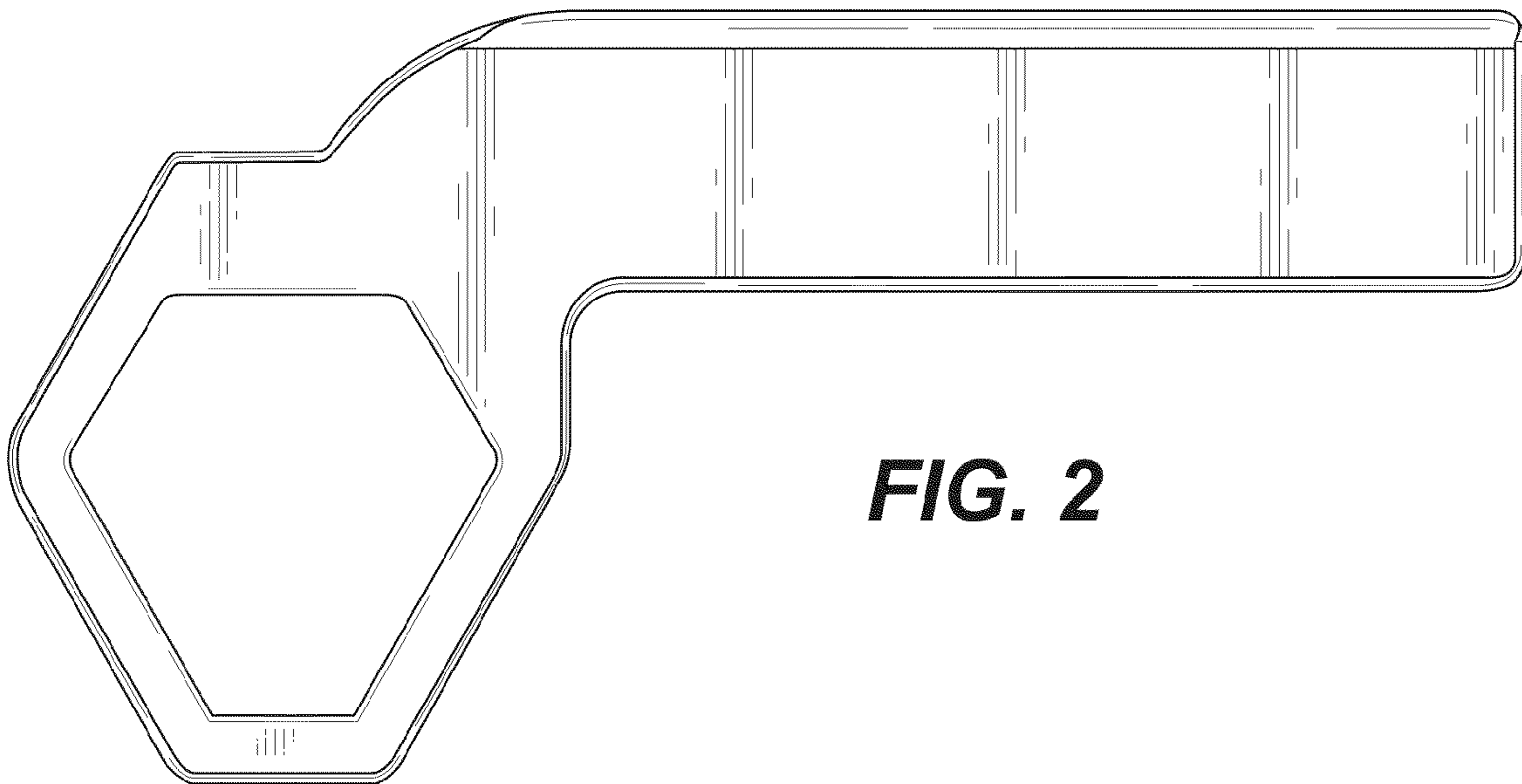


FIG. 2

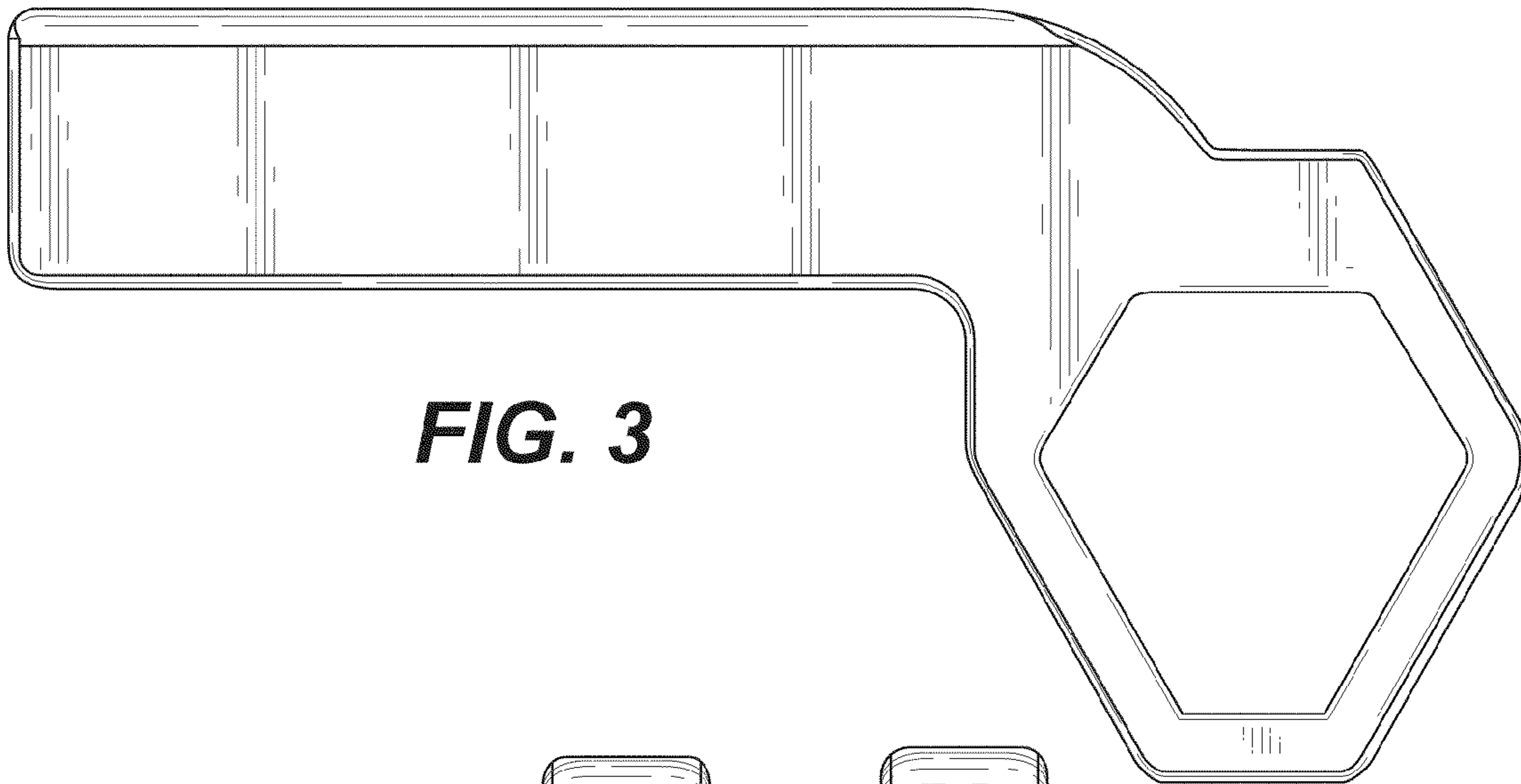


FIG. 3

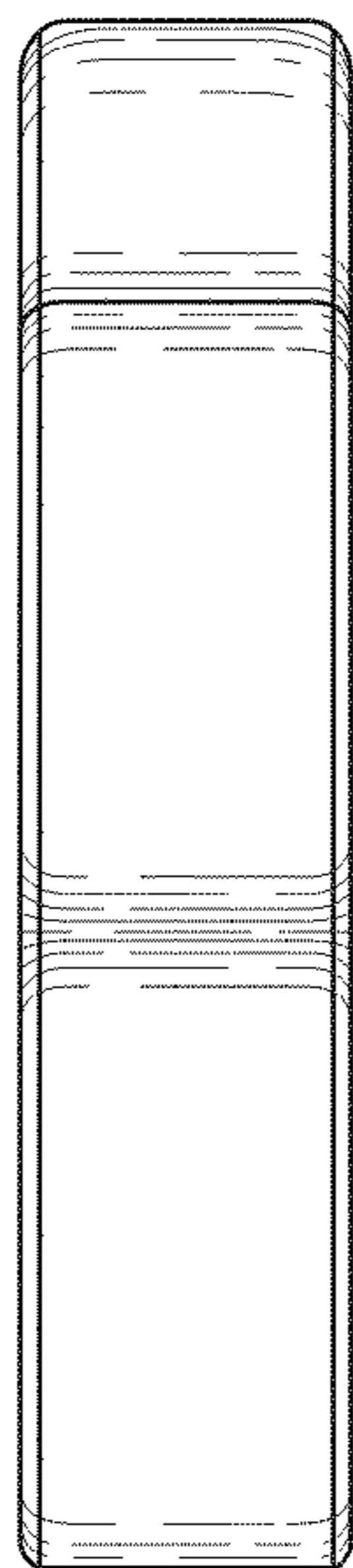


FIG. 4

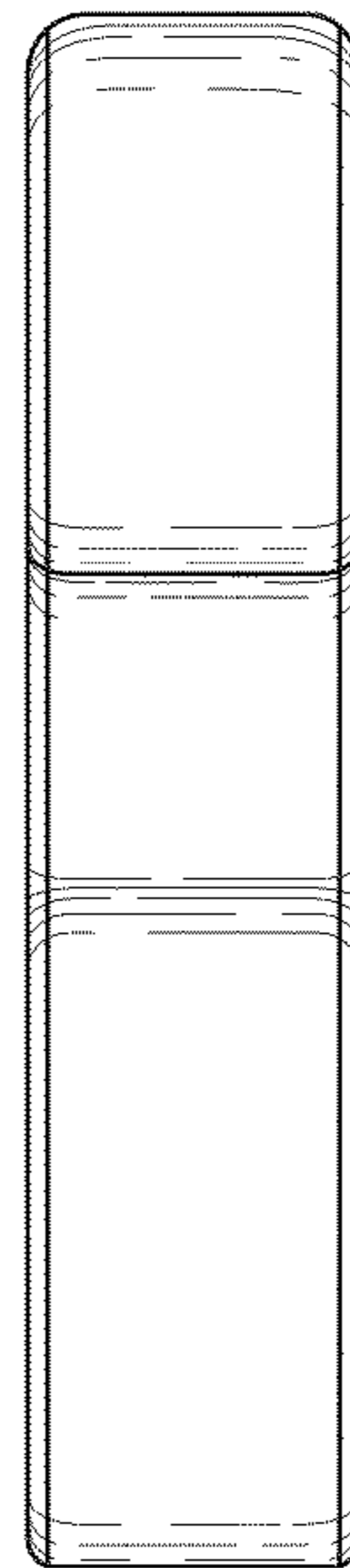


FIG. 5

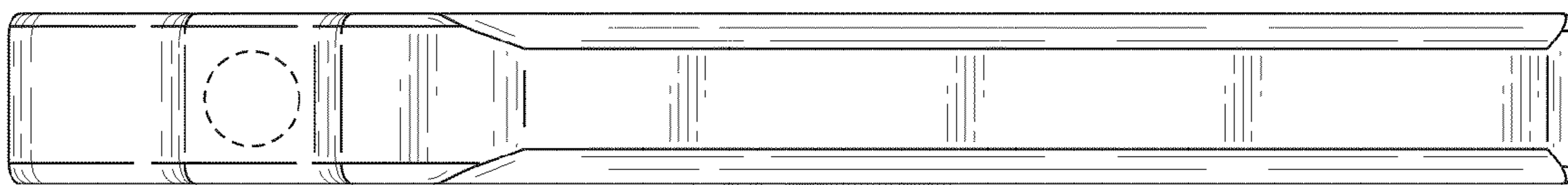


FIG. 6

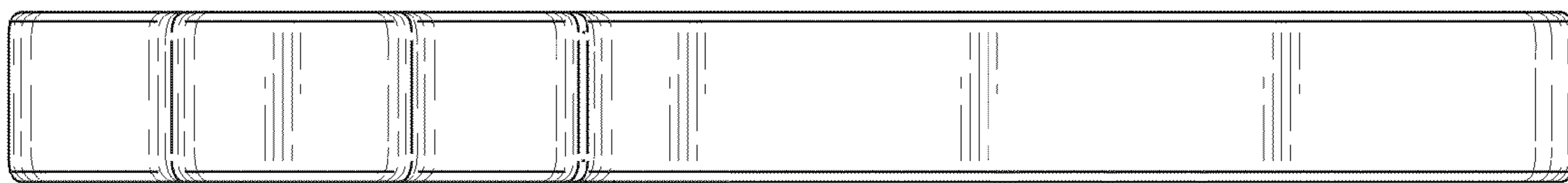


FIG. 7