



US00D621670S

(12) **United States Design Patent**
Jusidman Rubinstein

(10) **Patent No.:** **US D621,670 S**

(45) **Date of Patent:** **** Aug. 17, 2010**

(54) **SHOVEL HEAD**

(75) Inventor: **Arie Jusidman Rubinstein**, Delegacion Miguel Hidalgo (MX)

(73) Assignee: **Truper Herramientas, S.A. de C.V.**, Jilotepec, Estado De Mexico, C.P. (MX)

(**) Term: **14 Years**

(21) Appl. No.: **29/341,782**

(22) Filed: **Aug. 12, 2009**

(51) **LOC (9) Cl.** **08-01**

(52) **U.S. Cl.** **D8/10**

(58) **Field of Classification Search** D8/7, D8/10, 11; 172/371, 372, 373, 374, 375, 172/378; 7/114; 294/49, 54.5, 56, 57, 58
See application file for complete search history.

(56) **References Cited**

U.S. PATENT DOCUMENTS

| | | | | |
|--------------|---------|--------------|-------|-------|
| D527,960 S * | 9/2006 | Fortier | | D8/10 |
| D533,754 S * | 12/2006 | Fortier | | D8/10 |
| D570,654 S * | 6/2008 | Baker | | D8/10 |
| D592,920 S * | 5/2009 | Boies et al. | | D8/10 |
| D596,470 S * | 7/2009 | Greenly | | D8/10 |
| D601,866 S * | 10/2009 | Carroll | | D8/10 |
| D601,867 S * | 10/2009 | Carroll | | D8/10 |

| | | | | |
|--------------|---------|-----------------|-------|-------|
| D602,751 S * | 10/2009 | Boies et al. | | D8/10 |
| D604,128 S * | 11/2009 | Carroll | | D8/10 |
| D604,572 S * | 11/2009 | Randolph et al. | | D8/10 |
| D606,817 S * | 12/2009 | Boies | | D8/10 |
| D611,318 S * | 3/2010 | Randolph et al. | | D8/10 |

* cited by examiner

Primary Examiner—Holly H Baynham

Assistant Examiner—Sheryl Lane

(74) *Attorney, Agent, or Firm*—Conley Rose, P.C.

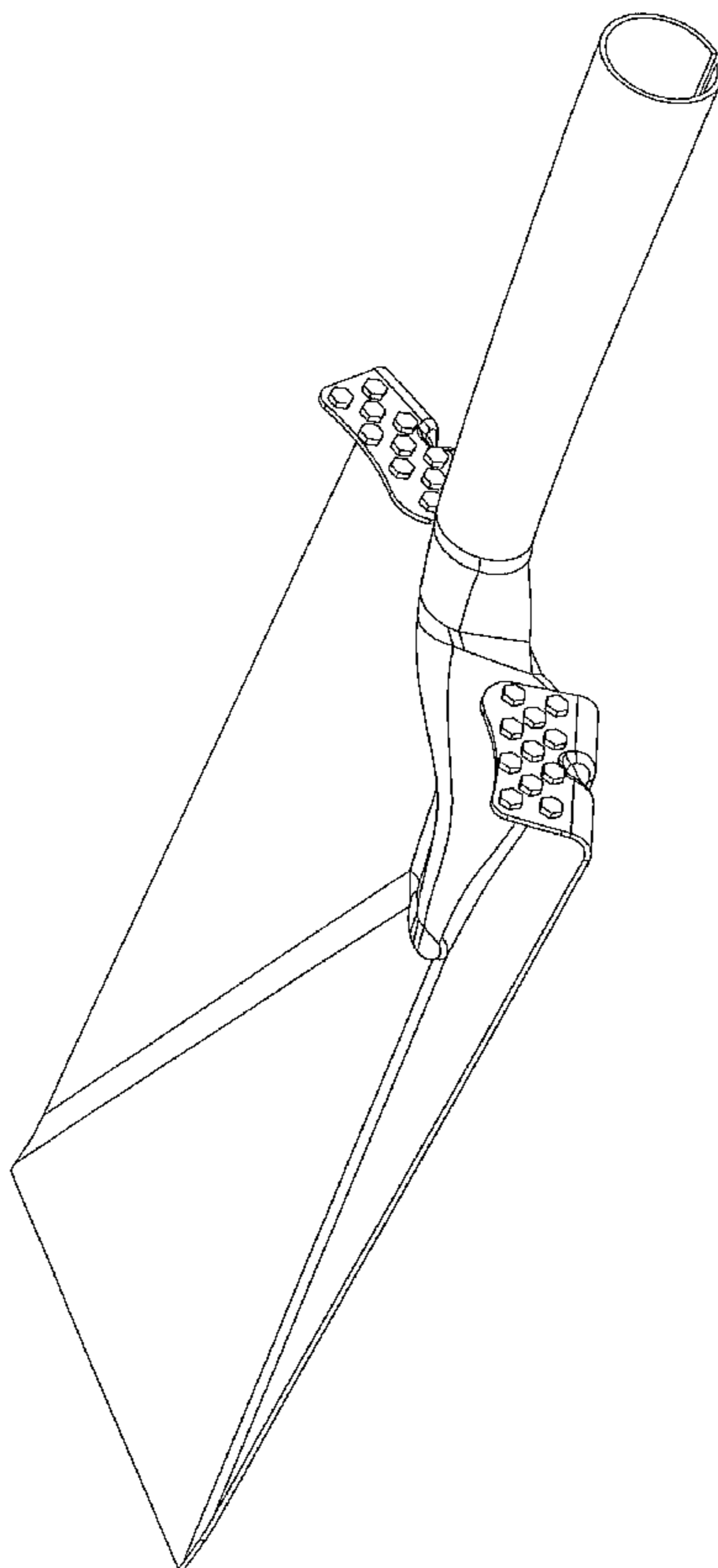
(57) **CLAIM**

The Applicant claims, the ornamental designs for a shovel head, as shown and described.

DESCRIPTION

FIG. 1 is a front view of a shovel head;
FIG. 2 is a back view thereof;
FIG. 3 is a top view thereof;
FIG. 4 is a bottom view thereof;
FIG. 5 is a right side view thereof;
FIG. 6 is a left side view of thereof;
FIG. 7 is a front, bottom, right perspective view of thereof;
and,
FIG. 8 is a front, top, left perspective view thereof.

1 Claim, 8 Drawing Sheets



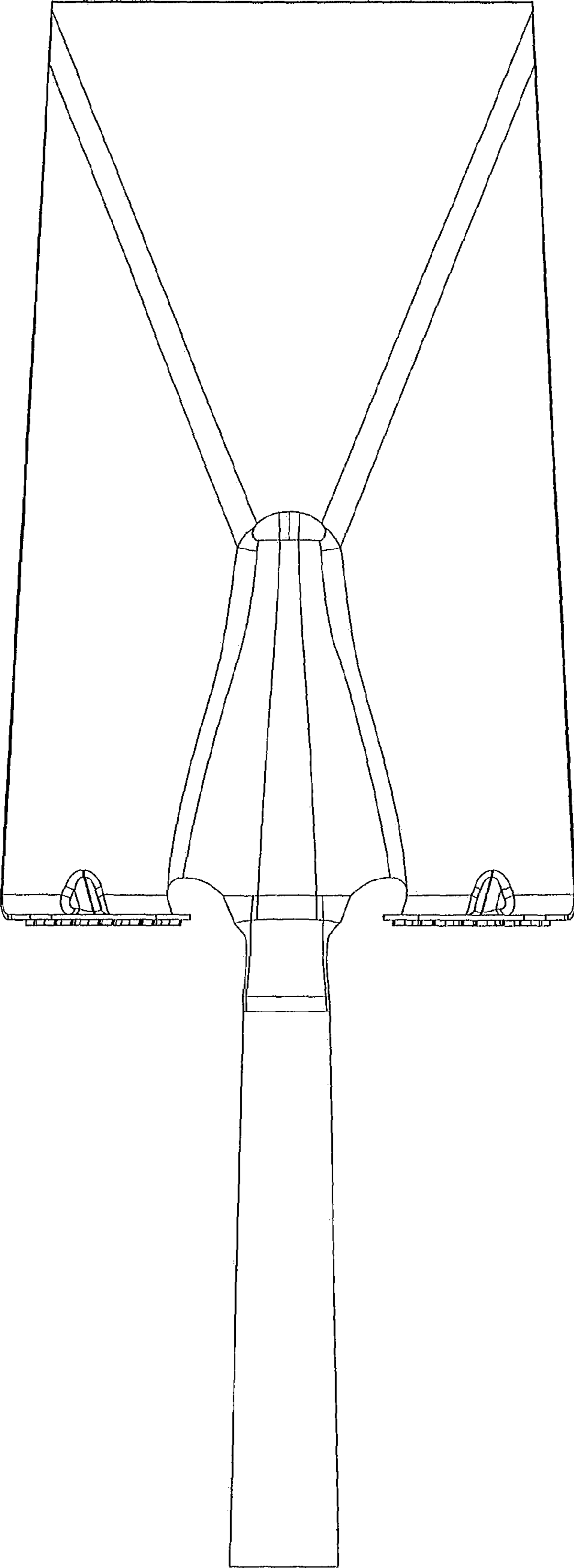


FIG. 1

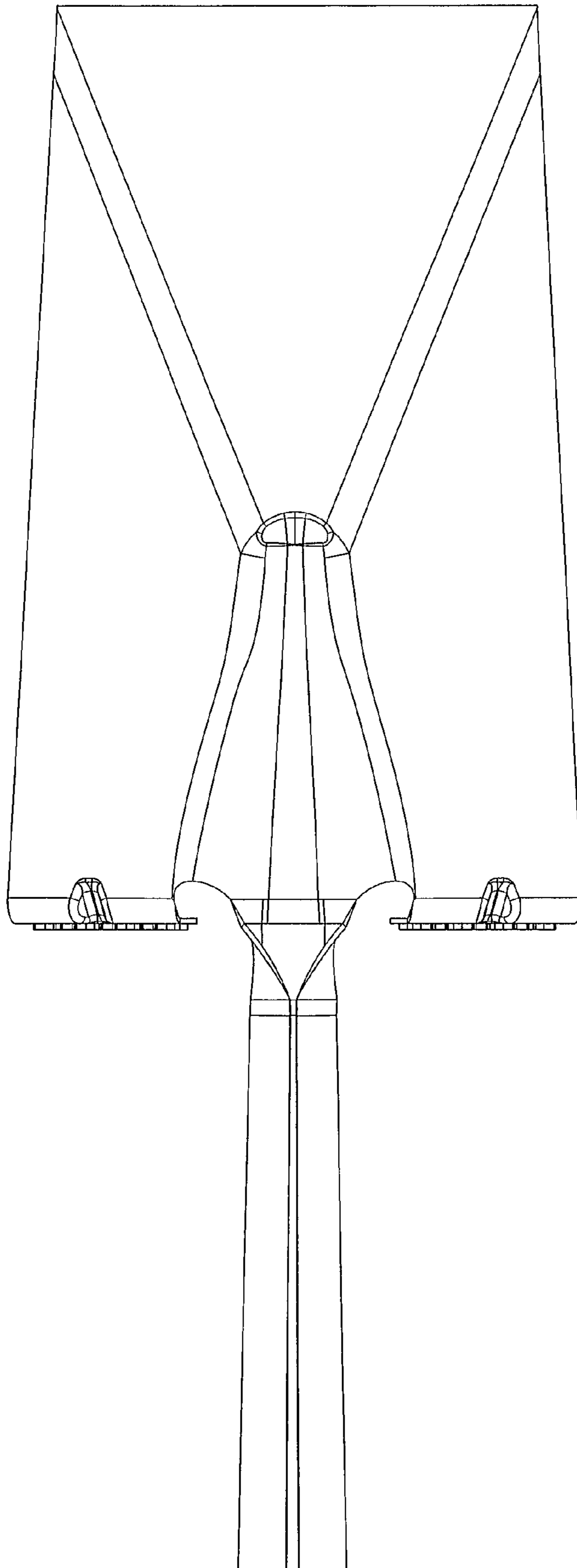


FIG. 2

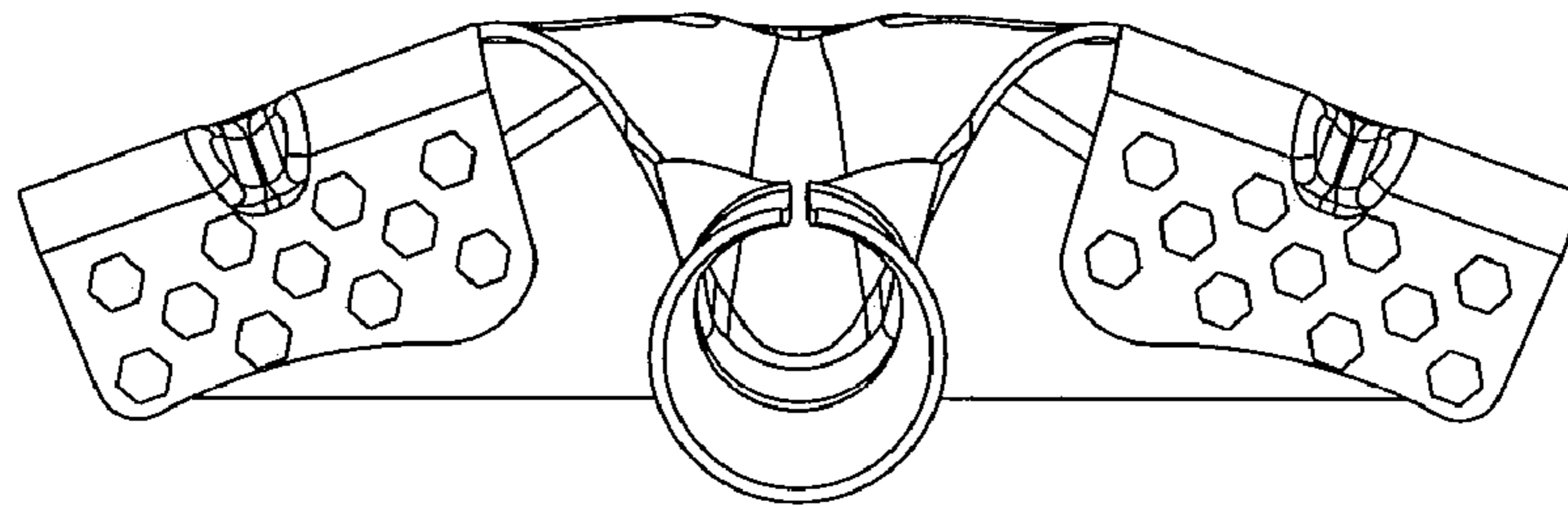


FIG. 3

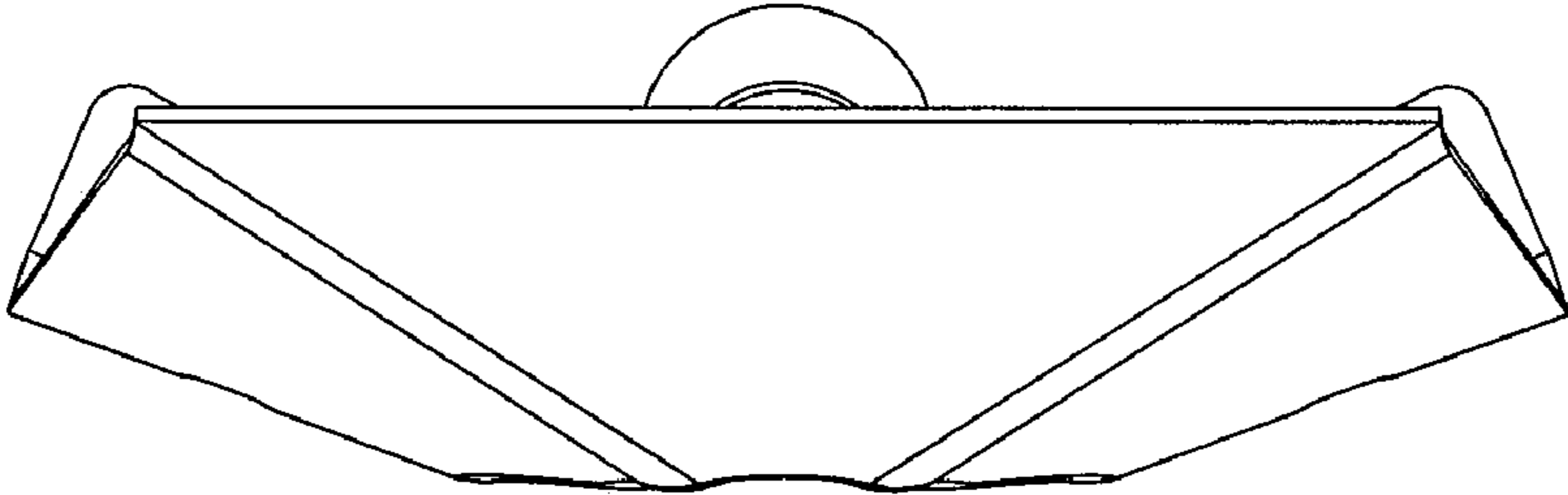


FIG. 4

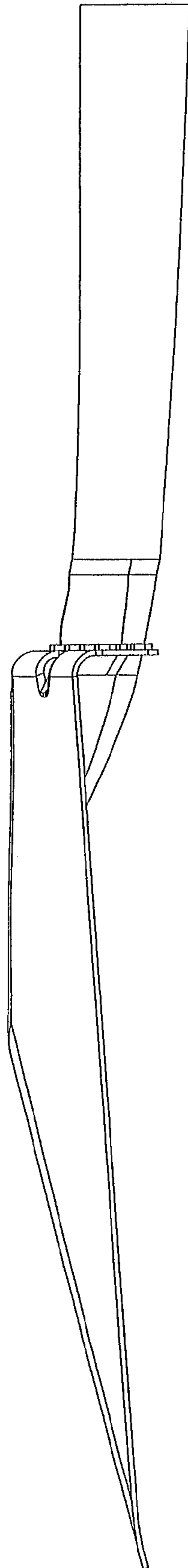


FIG. 5

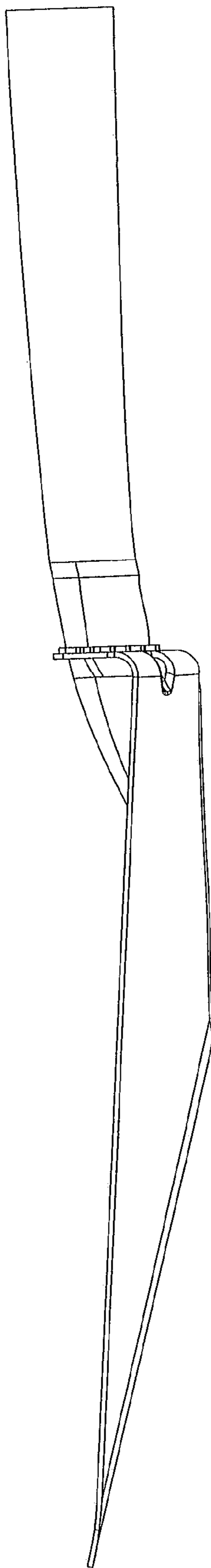


FIG. 6

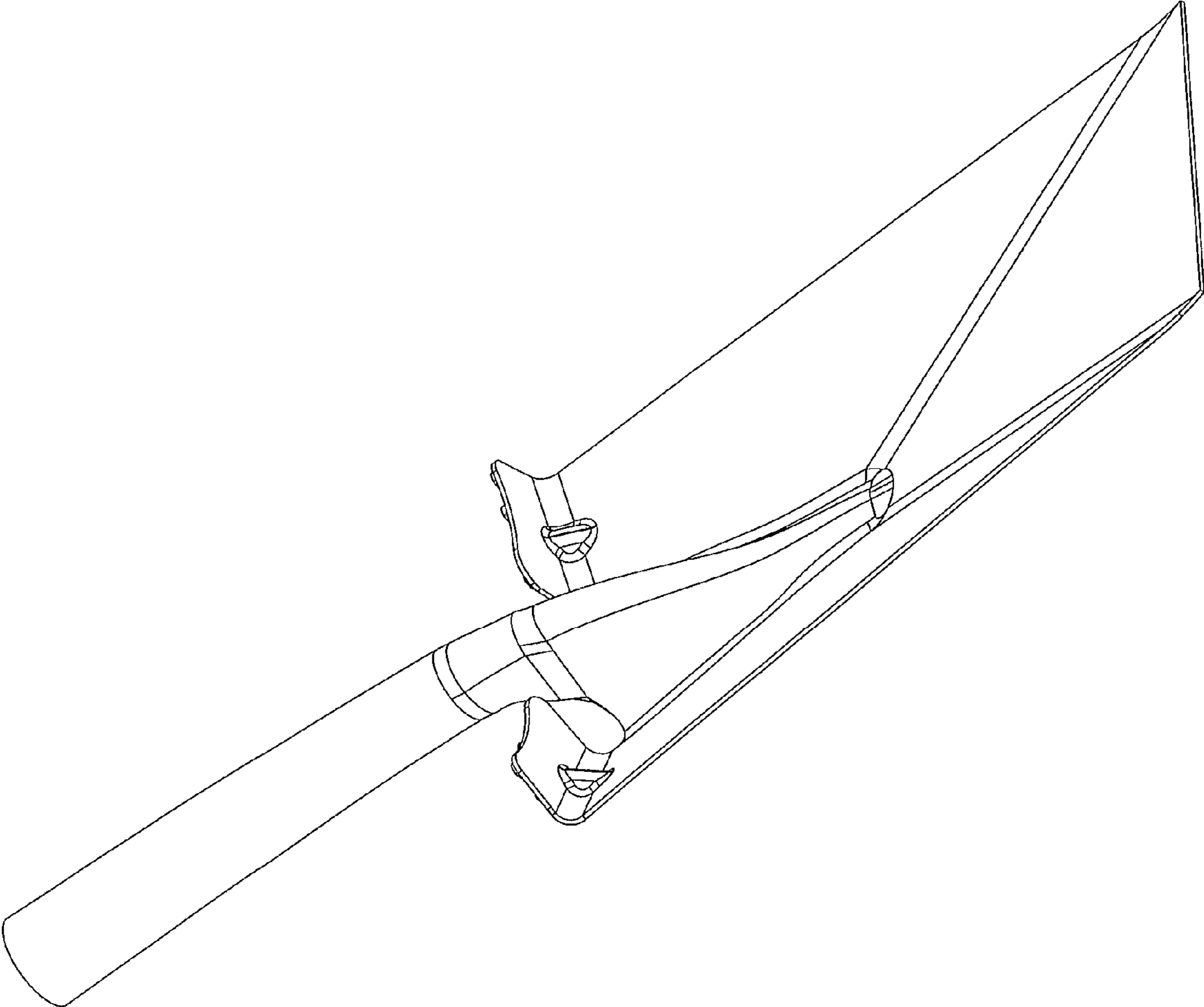


FIG. 7

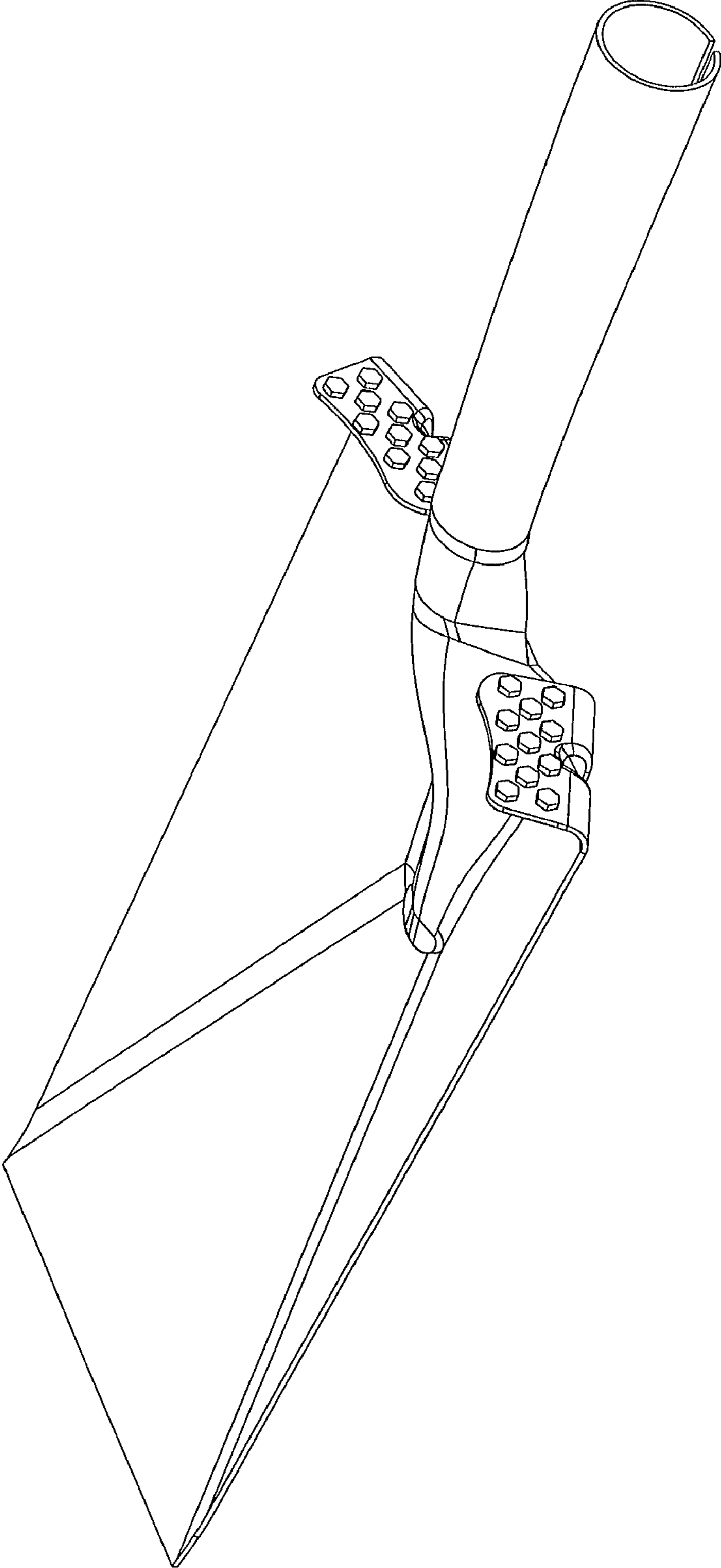


FIG. 8