



US00D621668S

(12) **United States Design Patent**
Zemel

(10) **Patent No.:** **US D621,668 S**

(45) **Date of Patent:** **** Aug. 17, 2010**

(54) **HAMBURGER PRESS**

(75) Inventor: **Marc Zemel**, Melville, NY (US)

(73) Assignee: **Mr. Bar-B-Q-, Inc.**, Old Bethpage, NY (US)

(**) Term: **14 Years**

(21) Appl. No.: **29/345,223**

(22) Filed: **Oct. 12, 2009**

(51) **LOC (9) Cl.** **07-04**

(52) **U.S. Cl.** **D7/672**

(58) **Field of Classification Search** D7/672-677,
D7/354, 357; 249/170, 112; 425/298, 299,
425/318, 284

See application file for complete search history.

(56) **References Cited**

U.S. PATENT DOCUMENTS

2,191,921 A	2/1940	Ziringer	
D155,422 S	10/1949	Henderson	
2,722,713 A	11/1955	Oestermeyer	
D206,606 S *	1/1967	Brown	D7/674
D234,113 S	1/1975	Wright	
D236,312 S	8/1975	Brown	
3,934,308 A	1/1976	Neri	
D245,827 S *	9/1977	Korpi	D7/674
4,106,162 A	8/1978	Fournier	
D333,759 S	3/1993	Ferrin	
D352,206 S *	11/1994	Davis	D7/357
D353,968 S *	1/1995	Cock	D7/674
D369,948 S	5/1996	Tobiasz	
D377,138 S	1/1997	Angelo	
D414,075 S *	9/1999	Mishan	D7/675
D575,097 S *	8/2008	Courington et al.	D7/357
D595,998 S	7/2009	Hauser	
2009/0246311 A1	10/2009	Hauser	

* cited by examiner

Primary Examiner—Terry A Wallace

(74) *Attorney, Agent, or Firm*—Seth Natter; Natter & Natter

(57) **CLAIM**

The ornamental design for a hamburger press, as shown and described.

DESCRIPTION

FIG. 1 is an isometric view of a hamburger press showing my new design:

FIG. 2 is a top plan view thereof;

FIG. 3 is a front elevational view, the rear elevation being a mirror image thereof;

FIG. 4 is a side elevational view, the opposite side being a mirror image thereof;

FIG. 5 is a bottom view thereof;

FIG. 6 is an exploded isometric view thereof;

FIG. 7 is a top plan view of a ram portion illustrated in FIG. 6;

FIG. 8 is a front elevational view of the ram portion: the rear elevation being a mirror image thereof;

FIG. 9 is a side elevational view of the ram portion. the opposite side being a mirror image thereof;

FIG. 10 is a bottom view of the ram portion;

FIG. 11 is a top plan view of a lifter illustrated in FIG. 6;

FIG. 12 is a front elevational view of the lifter, the rear elevation being a mirror image thereof;

FIG. 13 is a side elevational view of the lifter, the opposite side being a mirror image thereof;

FIG. 14 is a bottom view of the lifter;

FIG. 15 is a top plan view of a cavity portion illustrated in FIG. 6;

FIG. 16 is a front elevational view of the cavity portion, the rear elevation being a mirror image thereof;

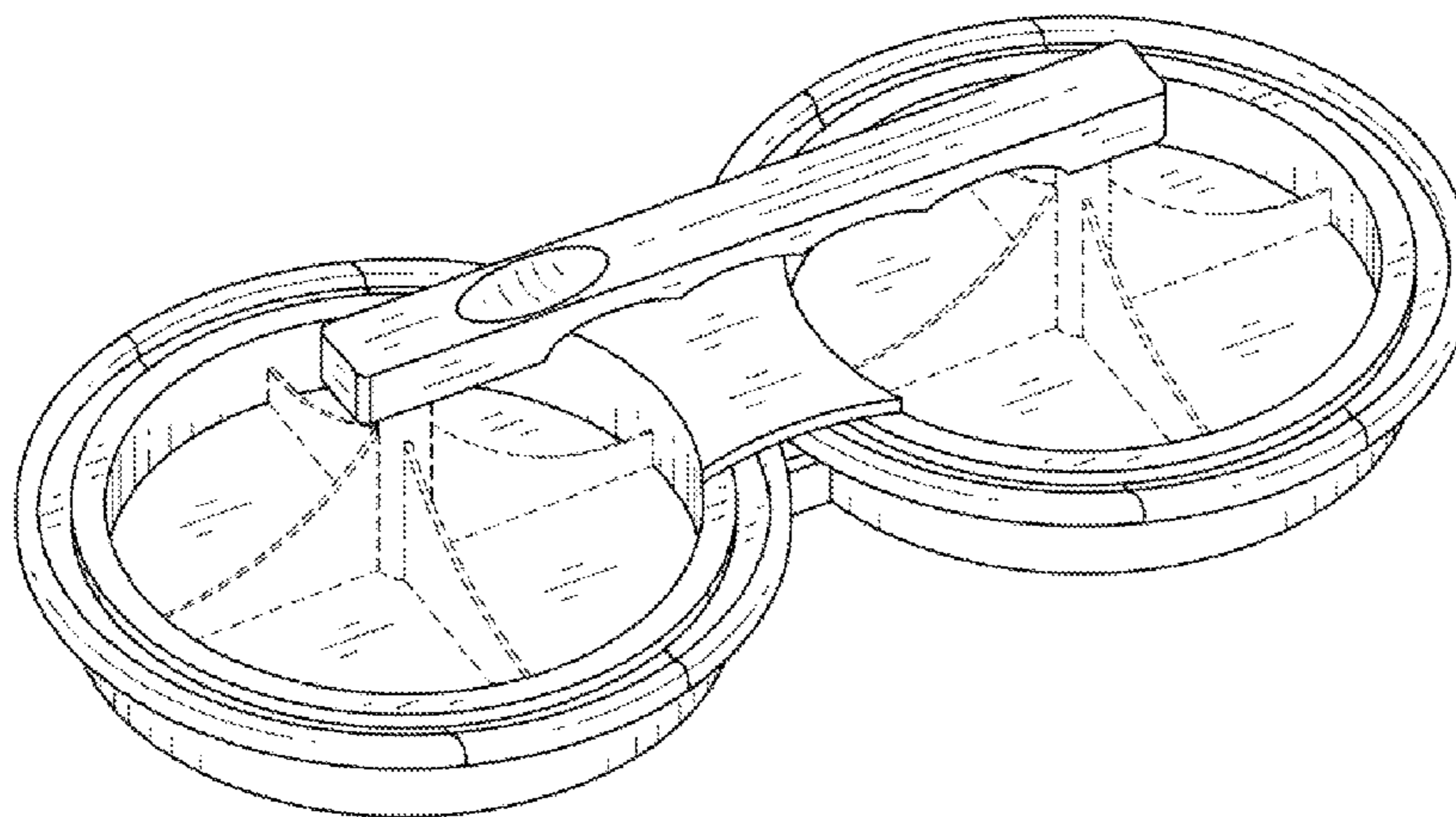
FIG. 17 is a side elevational view of the cavity portion, the opposite side being a mirror image thereof; and,

FIG. 18 is a bottom view of the cavity portion.

The broken line showings form no part of the claimed design.

The ram, lifter and cavity portions are shown separately for clarity of illustration.

1 Claim, 6 Drawing Sheets



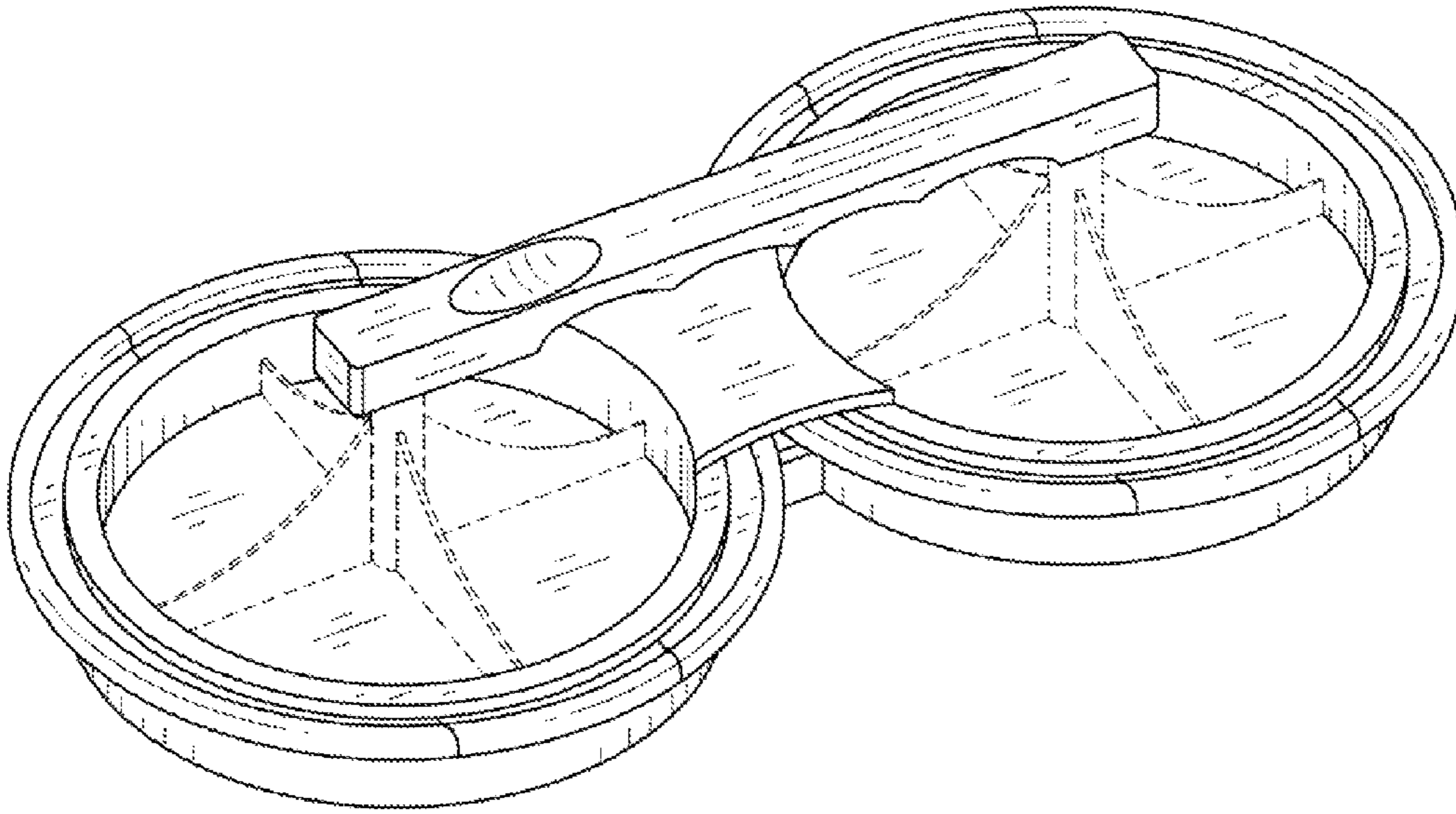


Fig. 1

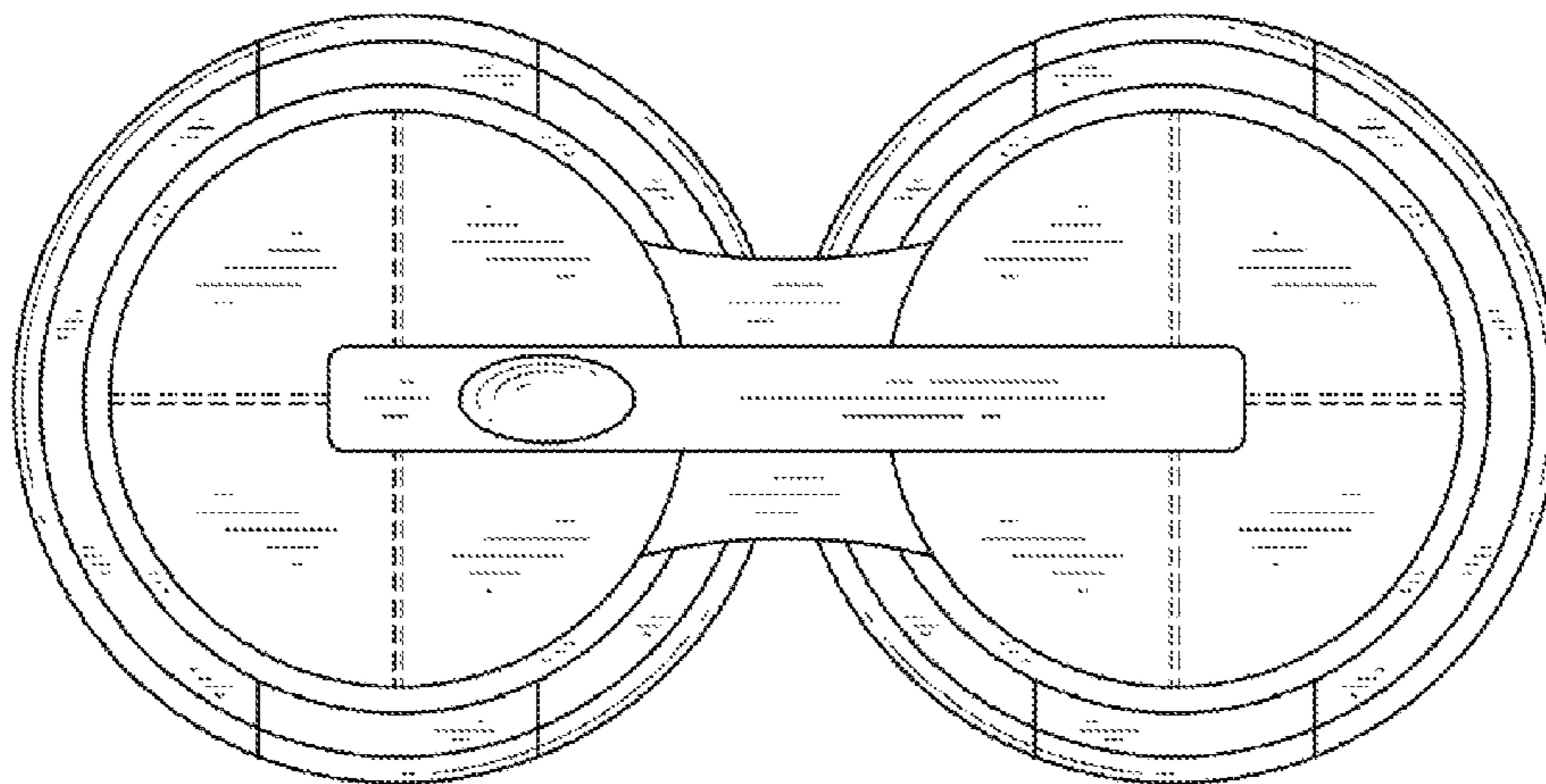


Fig. 2

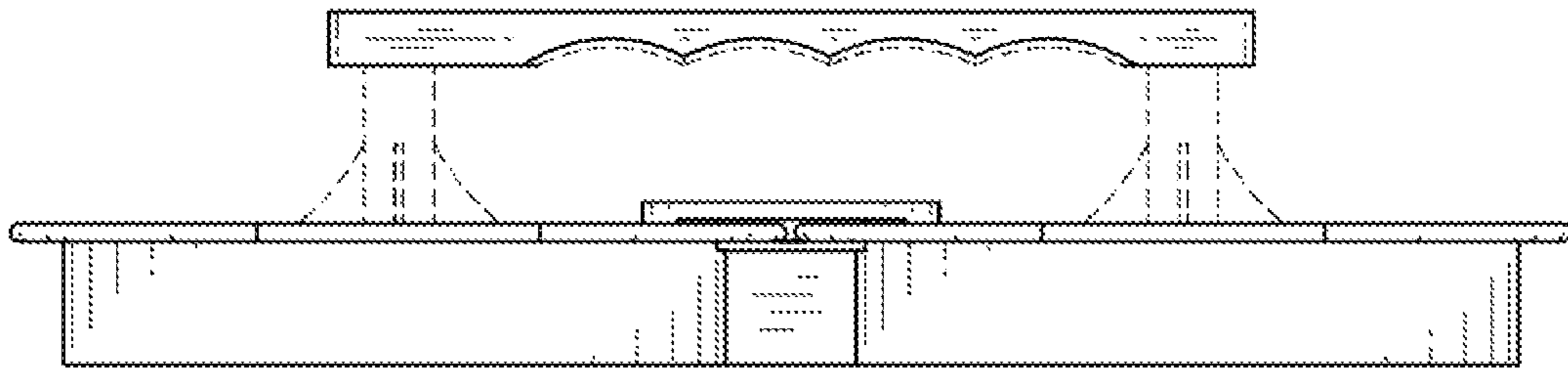


Fig. 3

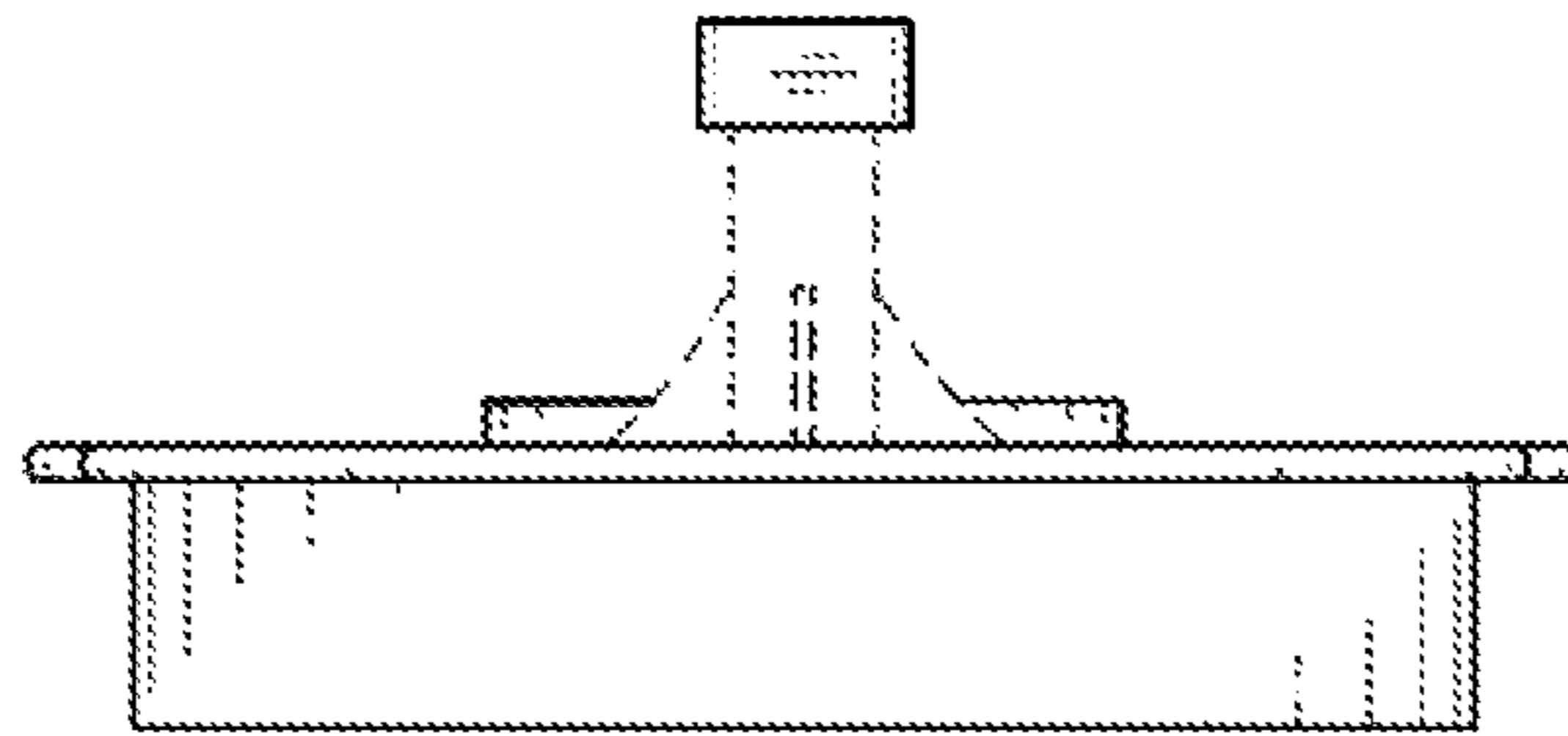


Fig. 4

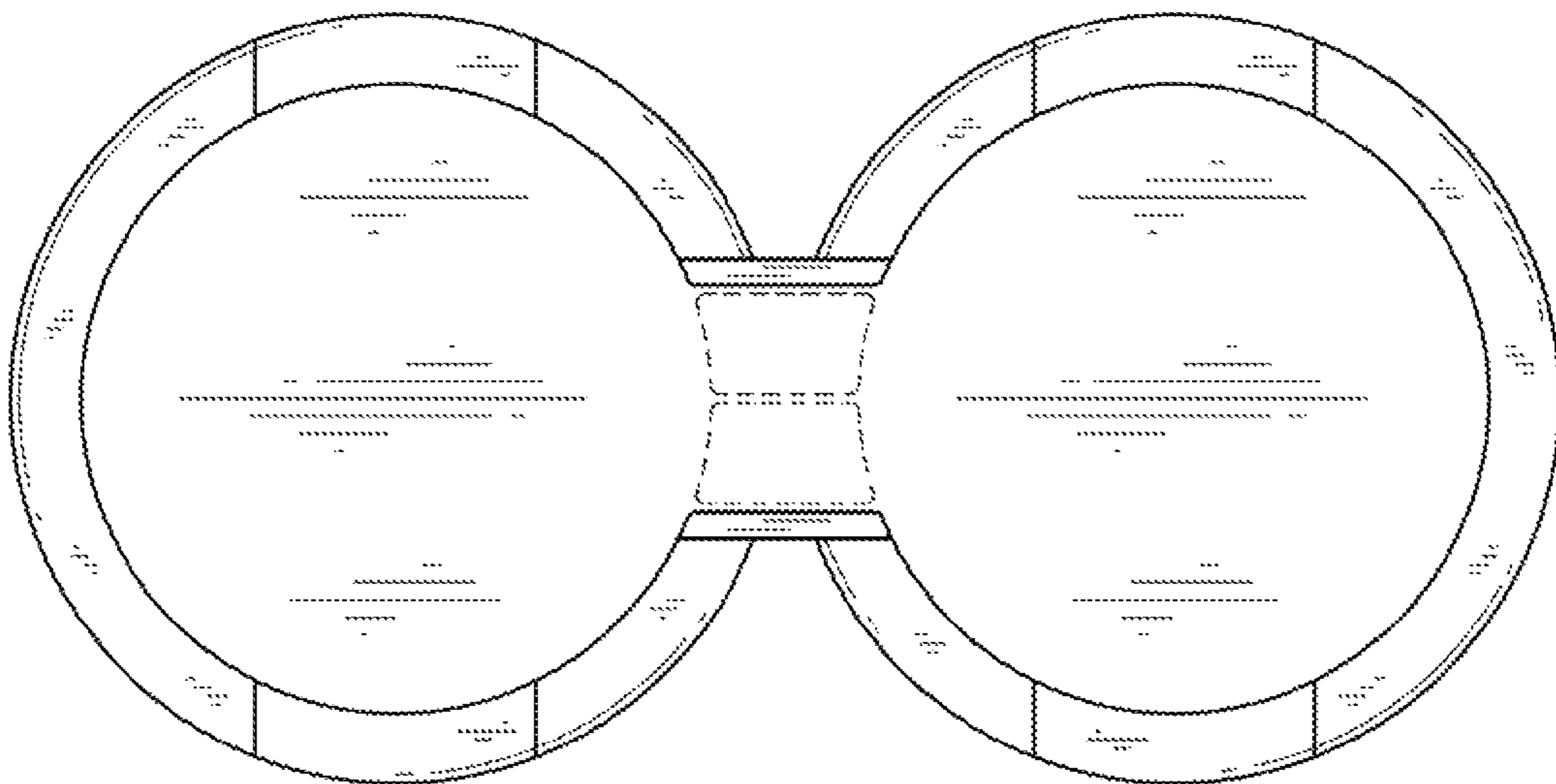


Fig. 5

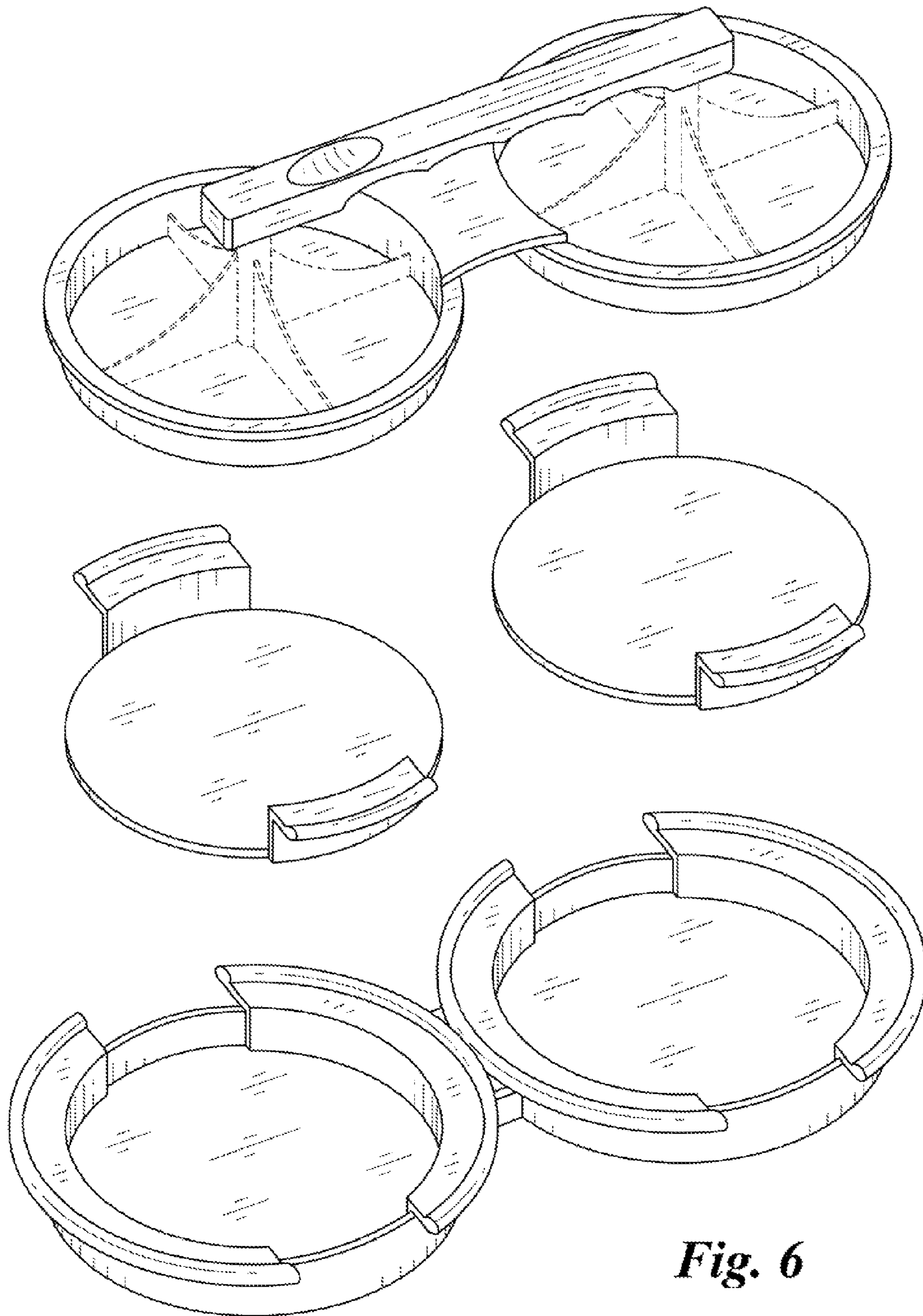


Fig. 6

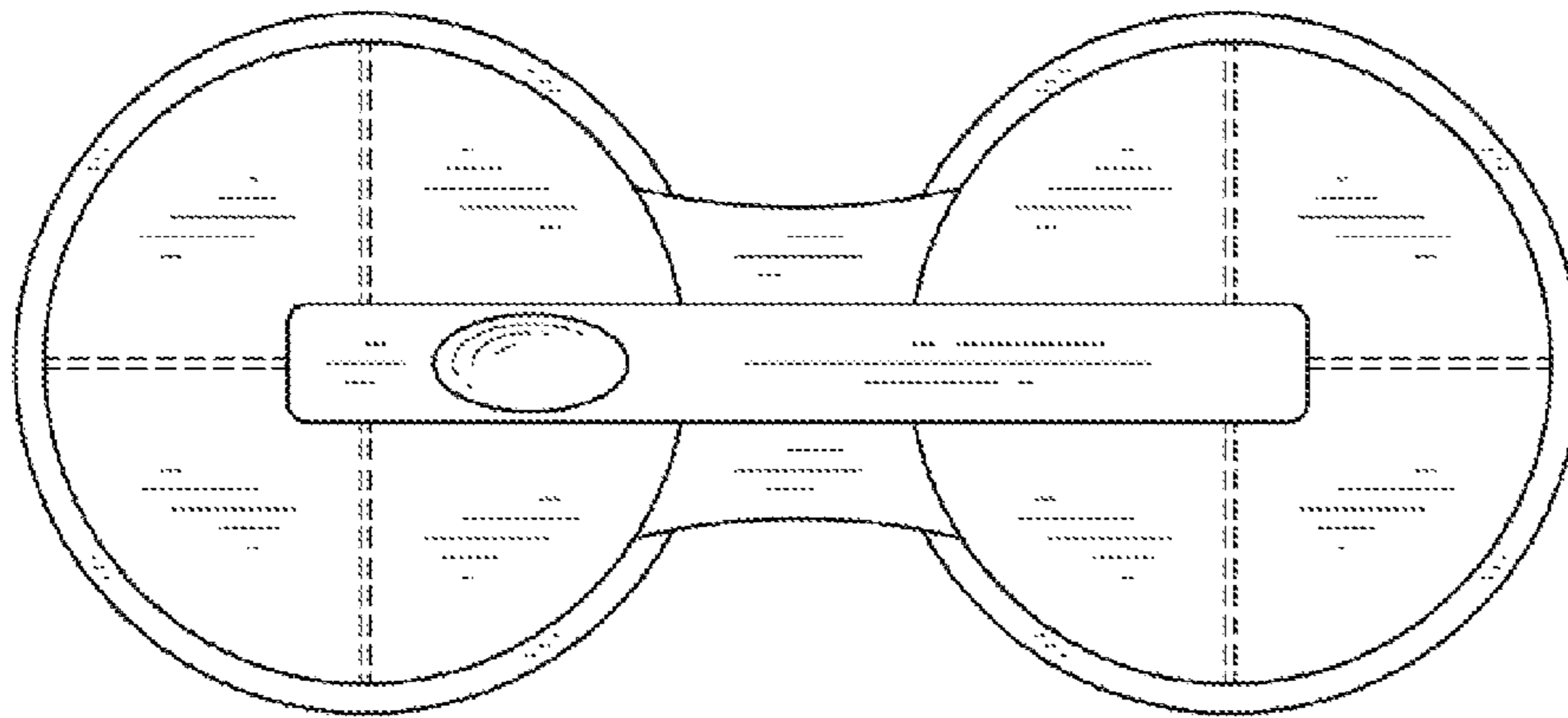


Fig. 7

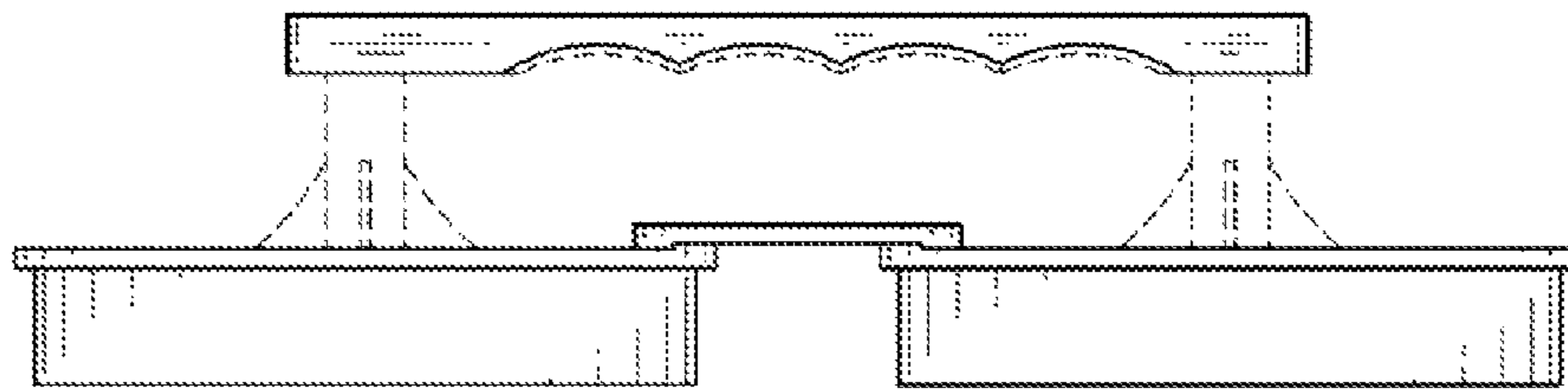


Fig. 8

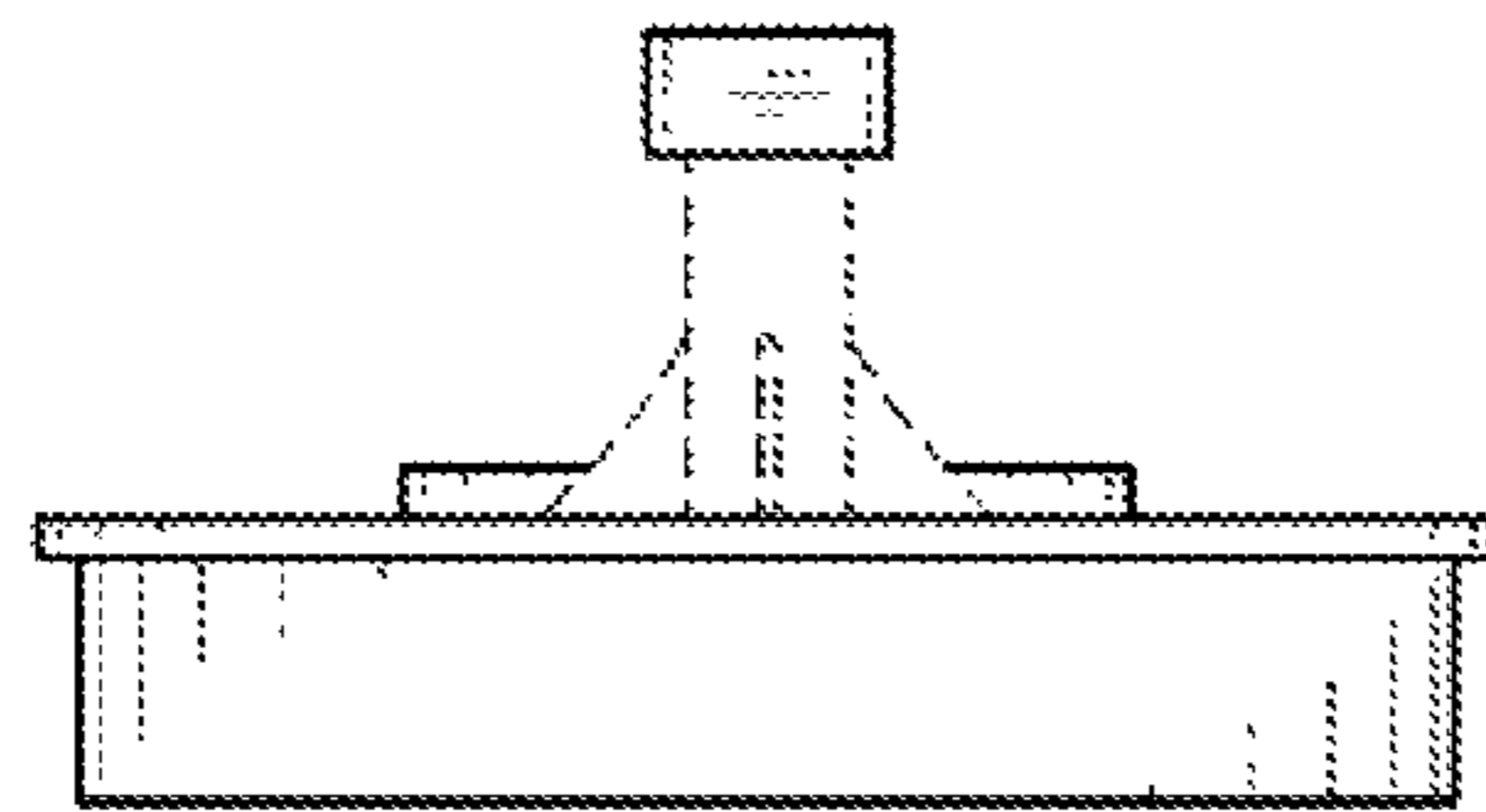


Fig. 9

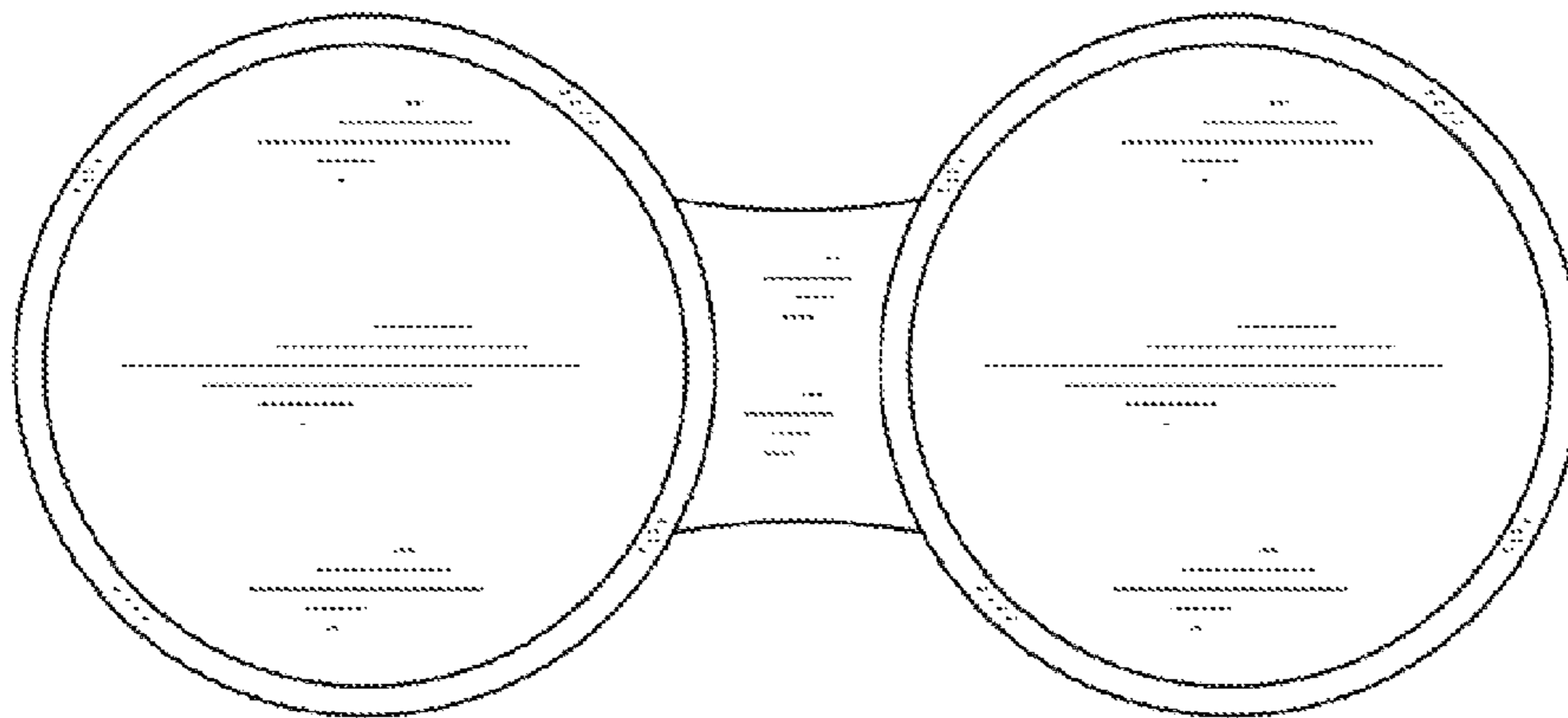


Fig. 10

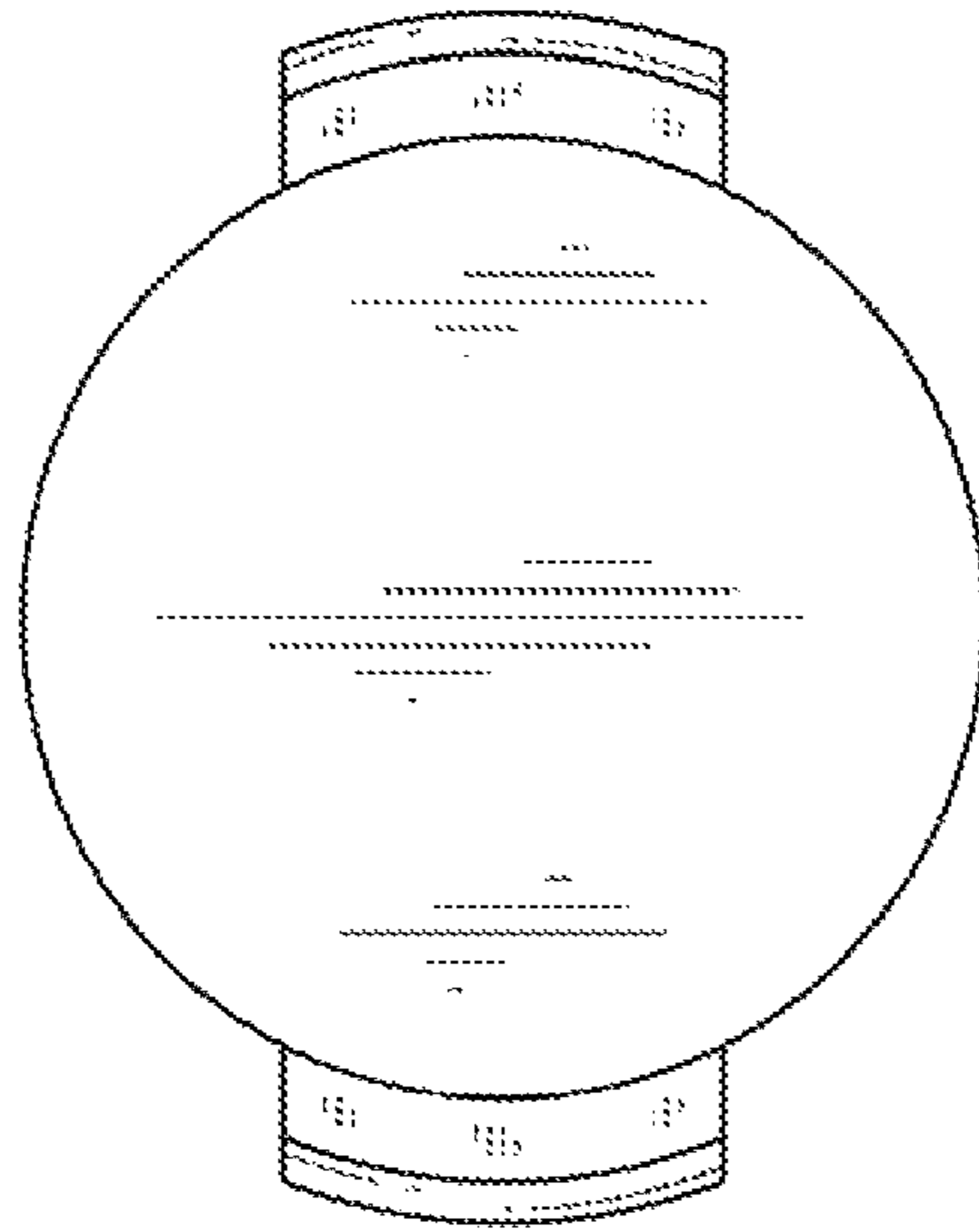


Fig. 11

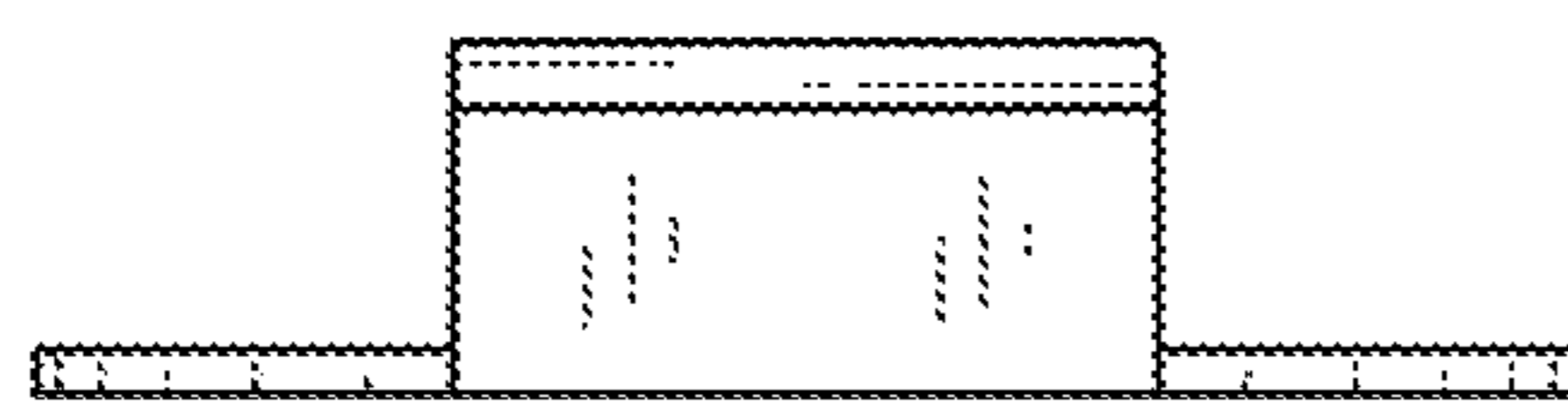


Fig. 12



Fig. 13

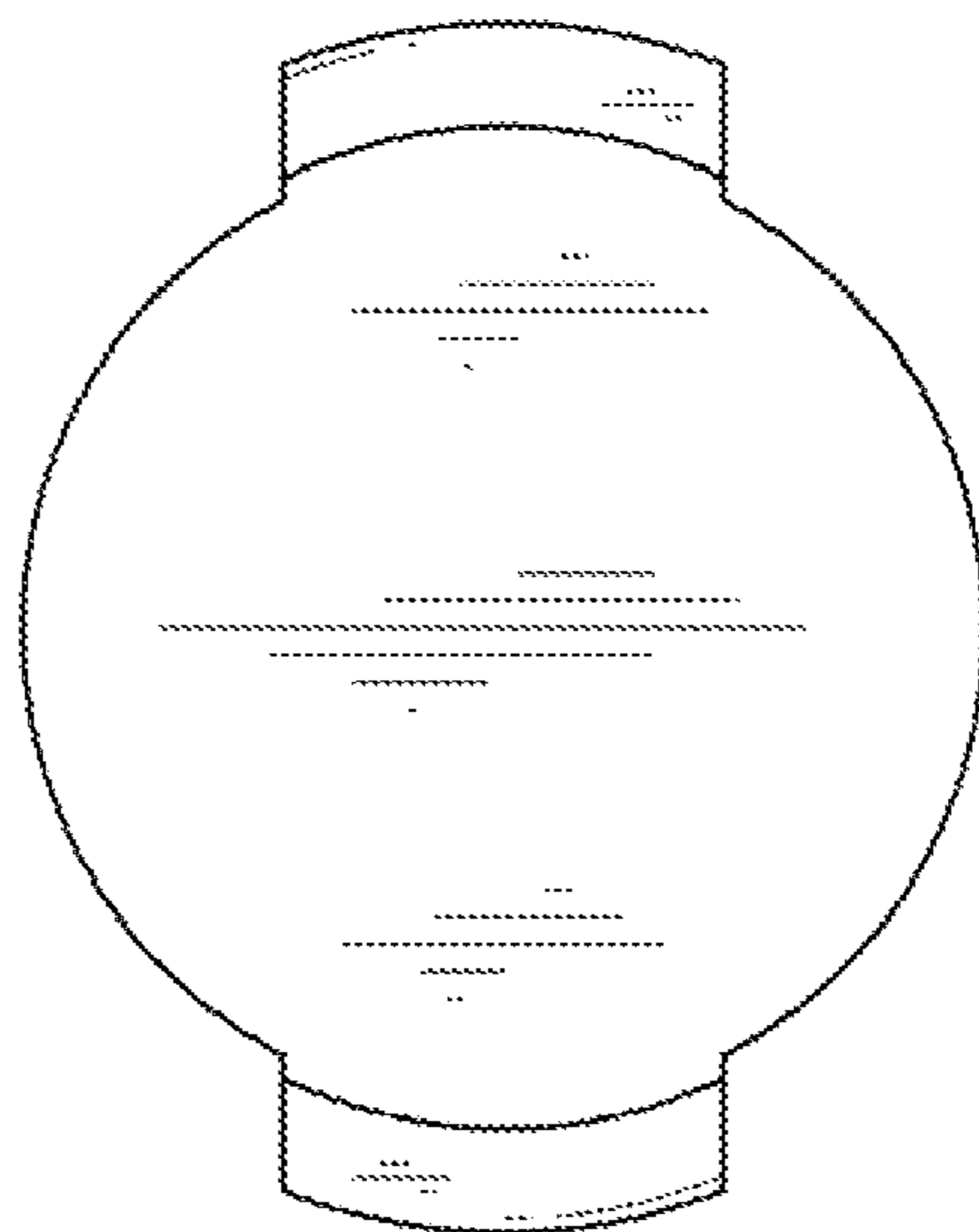


Fig. 14

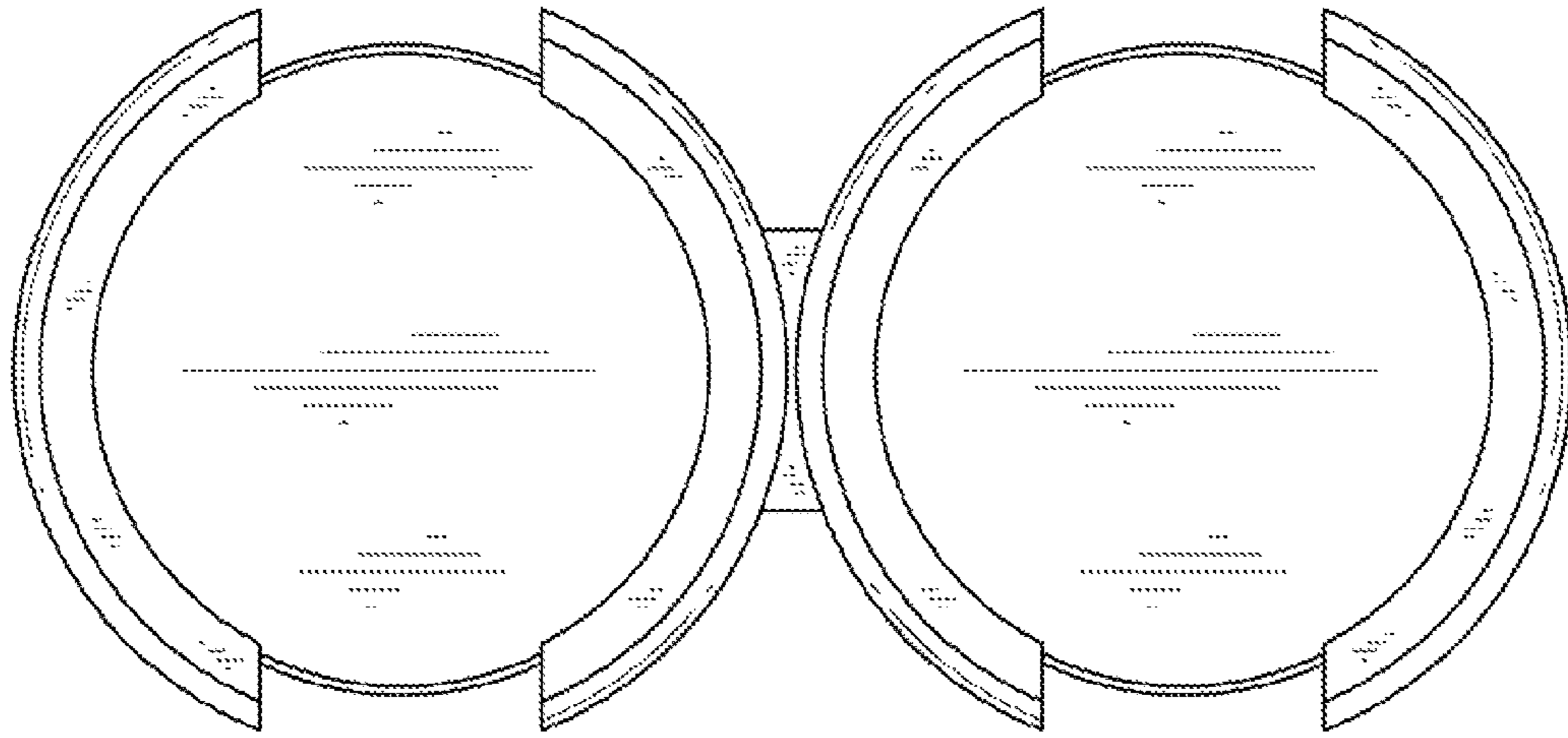


Fig. 15

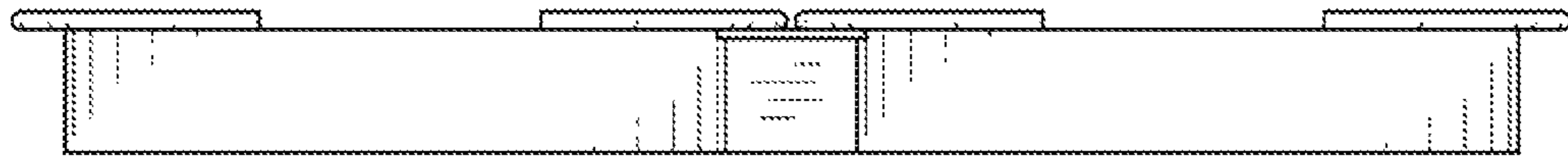


Fig. 16

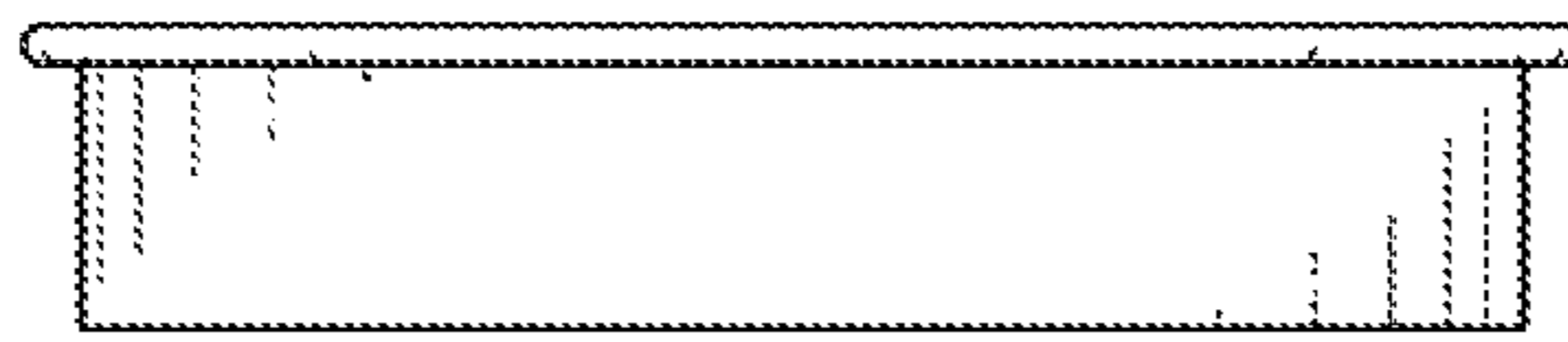


Fig. 17

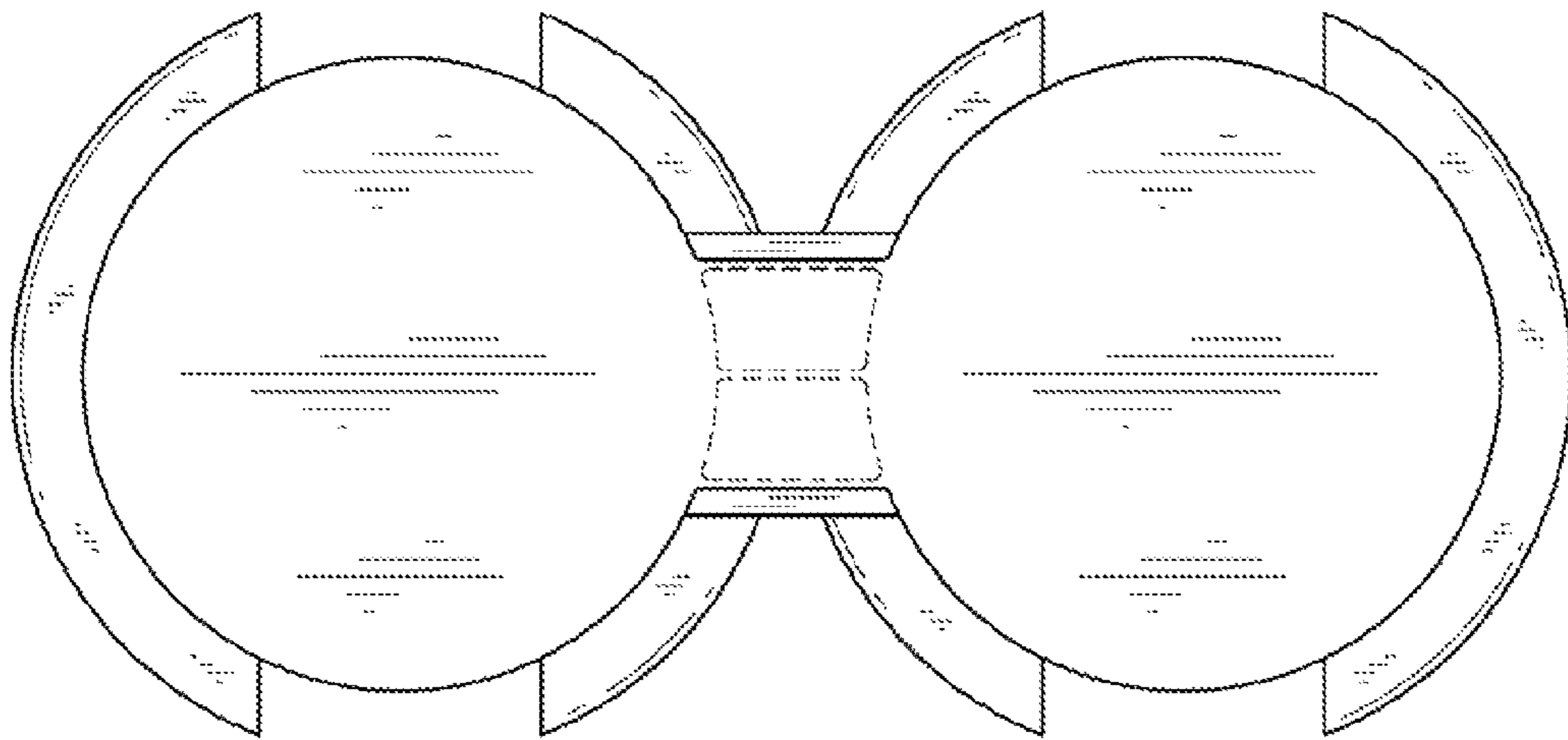


Fig. 18