



US00D621667S

(12) **United States Design Patent**
Ablo

(10) **Patent No.:** **US D621,667 S**

(45) **Date of Patent:** **** Aug. 17, 2010**

(54) **COVERED CONTAINER**

(75) Inventor: **Famia E. Ablo**, Orlando, FL (US)

(73) Assignee: **Dart Industries, Inc.**, Orlando, FL (US)

(**) Term: **14 Years**

(21) Appl. No.: **29/316,221**

(22) Filed: **Sep. 3, 2009**

(51) **LOC (9) Cl.** **07-07**

(52) **U.S. Cl.** **D7/629**

(58) **Field of Classification Search** D7/601,
D7/602, 629, 612-615, 538-542; D9/424-432;
220/780-806, 574-575

See application file for complete search history.

(56) **References Cited**

U.S. PATENT DOCUMENTS

D175,202 S	7/1955	Tupper	
D232,904 S	9/1974	Gregor	
4,471,880 A *	9/1984	Taylor et al.	220/792
D326,797 S	6/1992	Pomroy et al.	
5,356,026 A *	10/1994	Andress et al.	206/508
D371,938 S *	7/1996	Davis	D7/540
D376,512 S *	12/1996	Klemme	D7/538
D377,733 S	2/1997	Ahern, Jr. et al.	
D379,133 S	5/1997	Ahern, Jr. et al.	
D390,422 S	2/1998	Daenen et al.	
5,868,273 A	2/1999	Daenen et al.	
D420,252 S	2/2000	Loew et al.	
D425,363 S	5/2000	Loew et al.	
D455,614 S	4/2002	Miller et al.	
D460,665 S	7/2002	Lillelund et al.	
D466,364 S	12/2002	Demore	

D480,264 S	10/2003	de Groote et al.	
D482,928 S	12/2003	Liu	
D548,537 S	8/2007	Liu	
D550,503 S	9/2007	Liu	
D551,496 S	9/2007	Ablo et al.	
D551,515 S	9/2007	Ablo et al.	
D575,114 S *	8/2008	Moghavem	D7/629

* cited by examiner

Primary Examiner—Terry A Wallace

(74) *Attorney, Agent, or Firm*—John A. Doninger

(57) **CLAIM**

The ornamental design for a covered container, as shown and described.

DESCRIPTION

FIG. 1 is a top, front and right side perspective view of a covered container showing my new design;

FIG. 2 is a bottom, rear and left side perspective thereof;

FIG. 3 is a front elevation view thereof;

FIG. 4 is a rear elevation view thereof;

FIG. 5 is a right side elevation view, the left side elevation being a mirror image thereof;

FIG. 6 is a top plan view thereof;

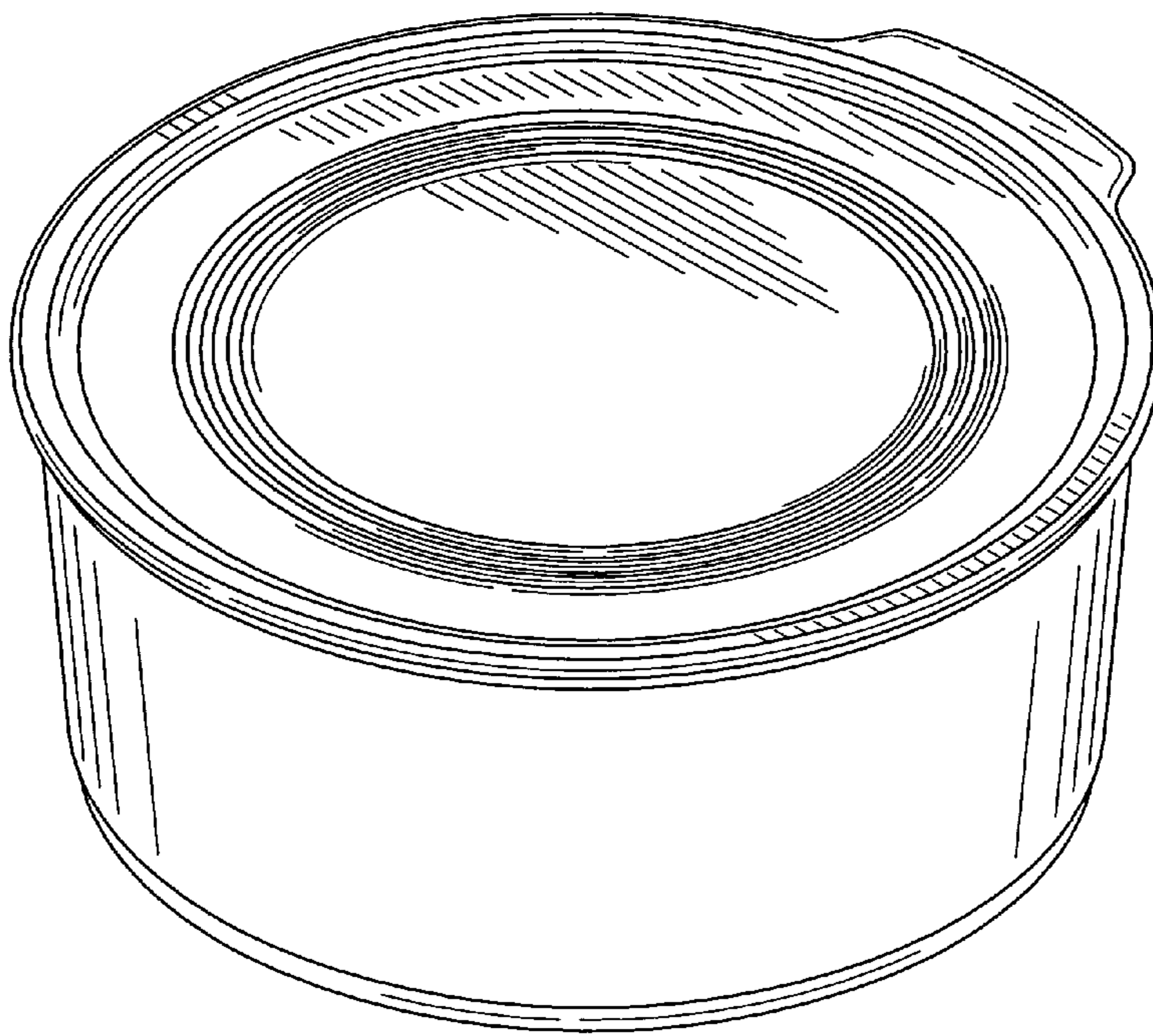
FIG. 7 is a bottom plan view thereof;

FIG. 8 is a top, front and right side perspective view of a second embodiment of the covered container showing my new design;

FIG. 9 is a bottom, rear and left side perspective thereof; and,

FIG. 10 is a top plan view thereof.

1 Claim, 5 Drawing Sheets



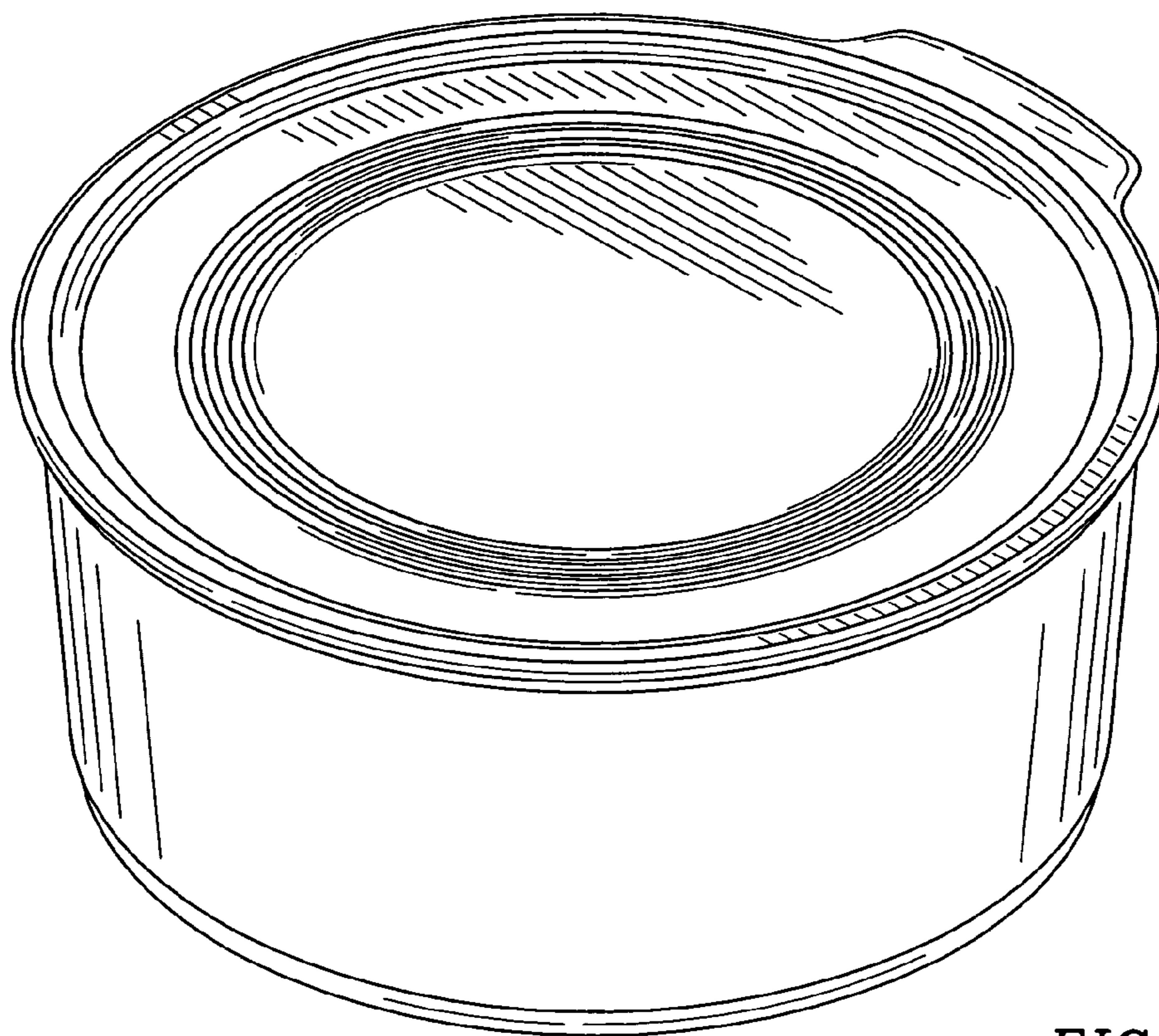


FIG. 1

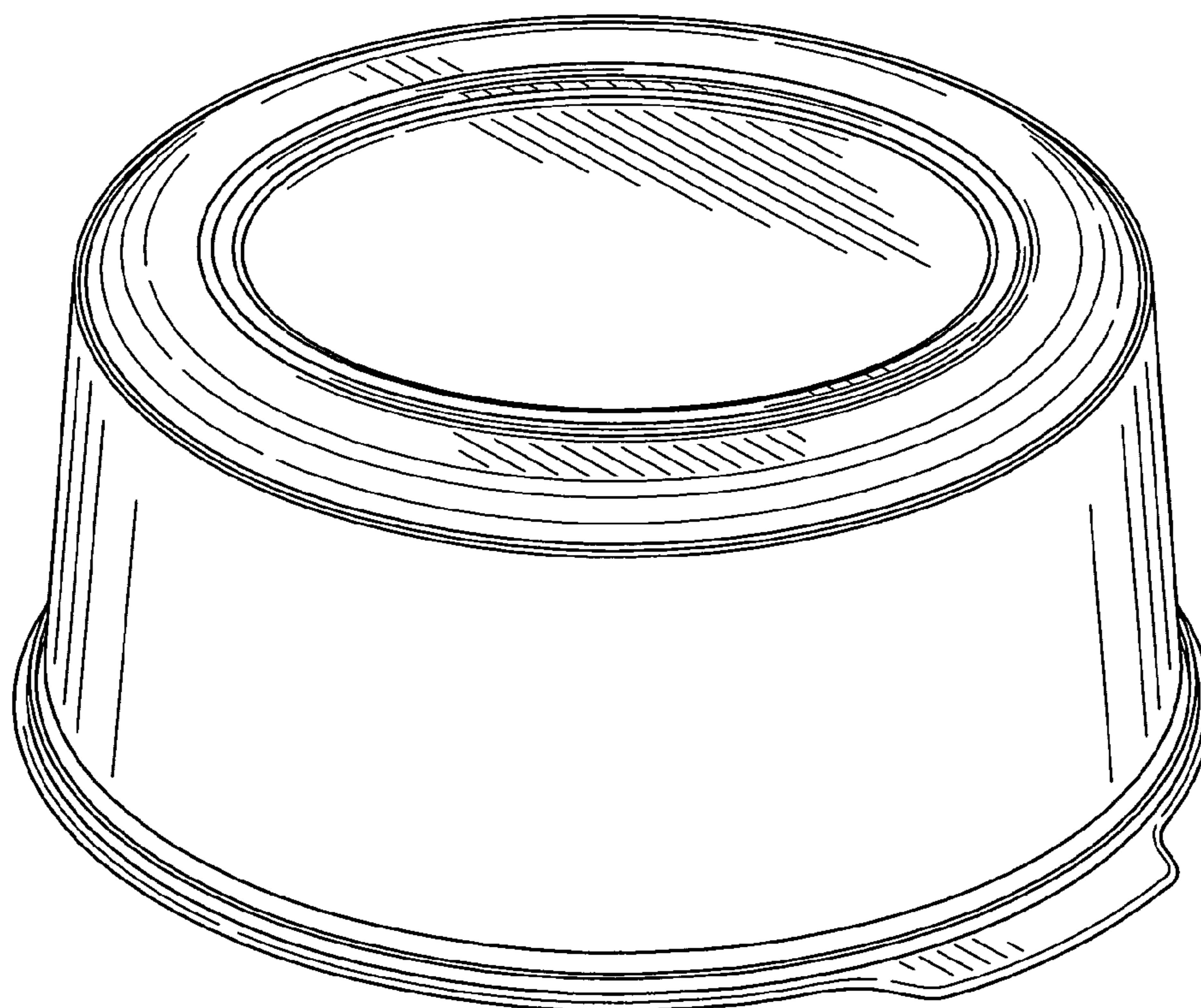


FIG. 2

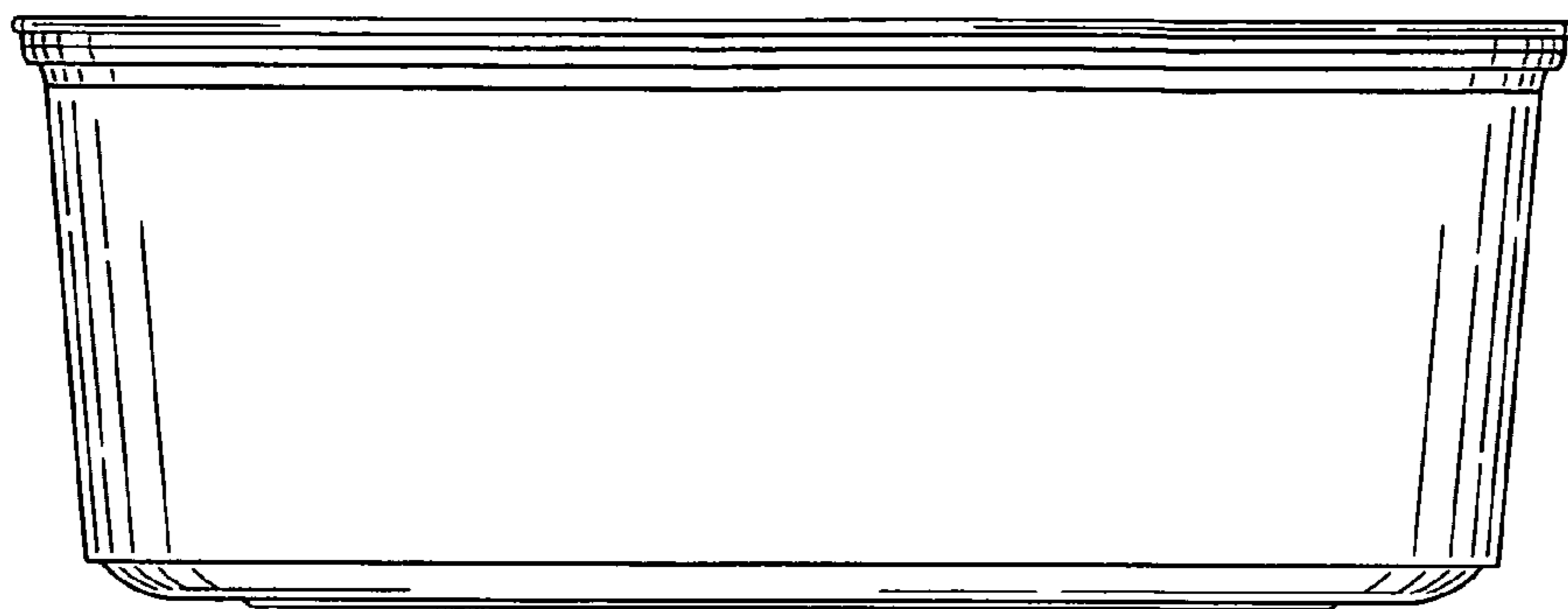


FIG. 3

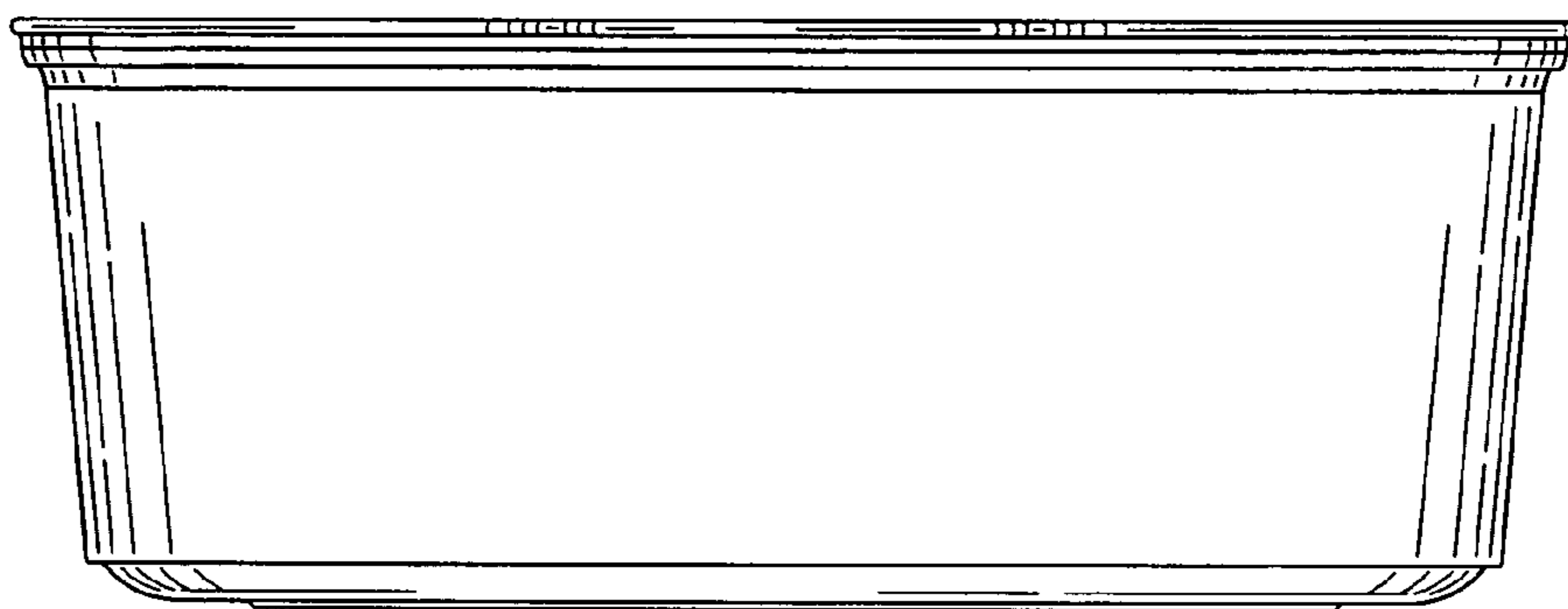


FIG. 4

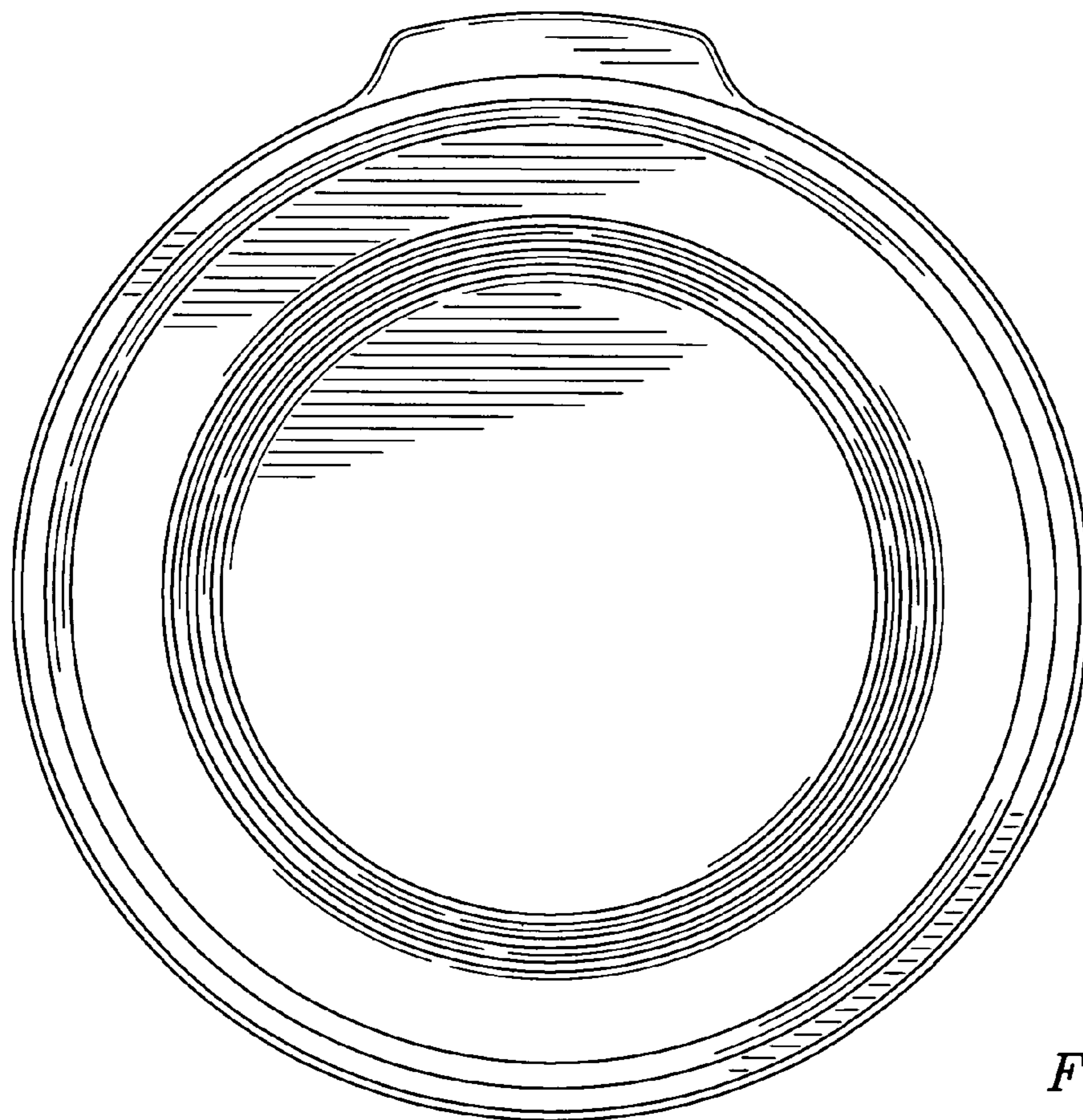


FIG. 6

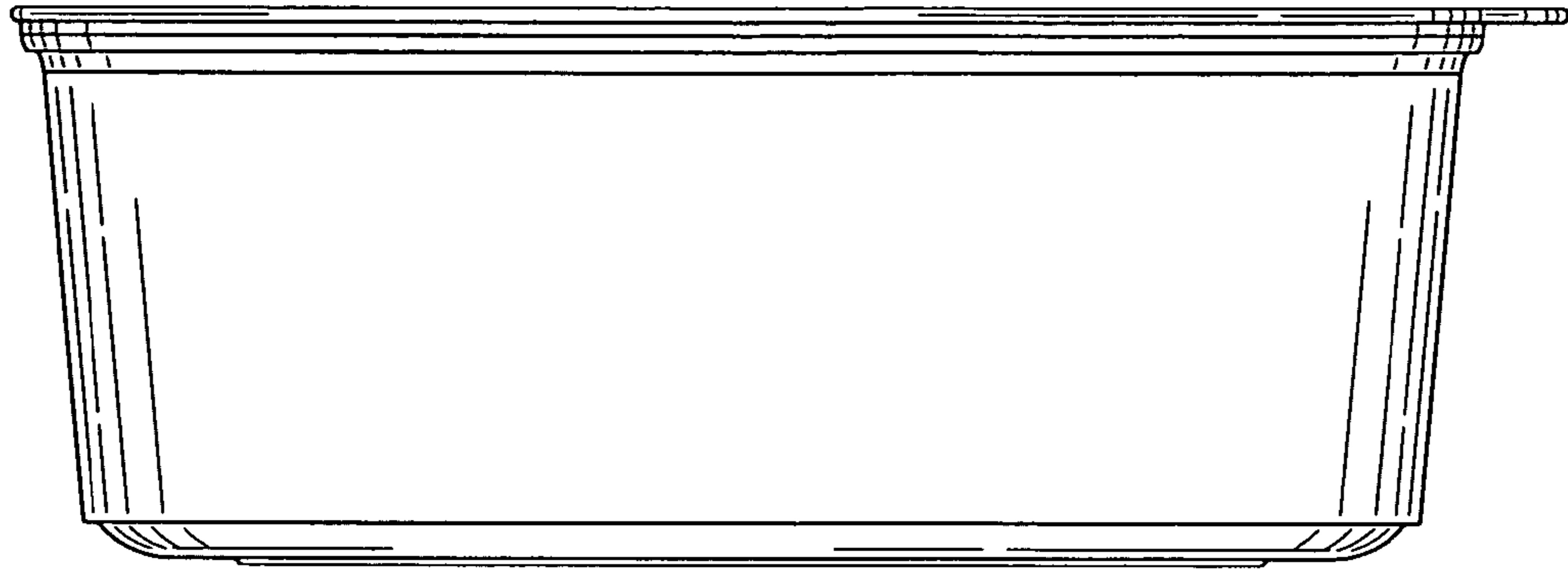


FIG. 5

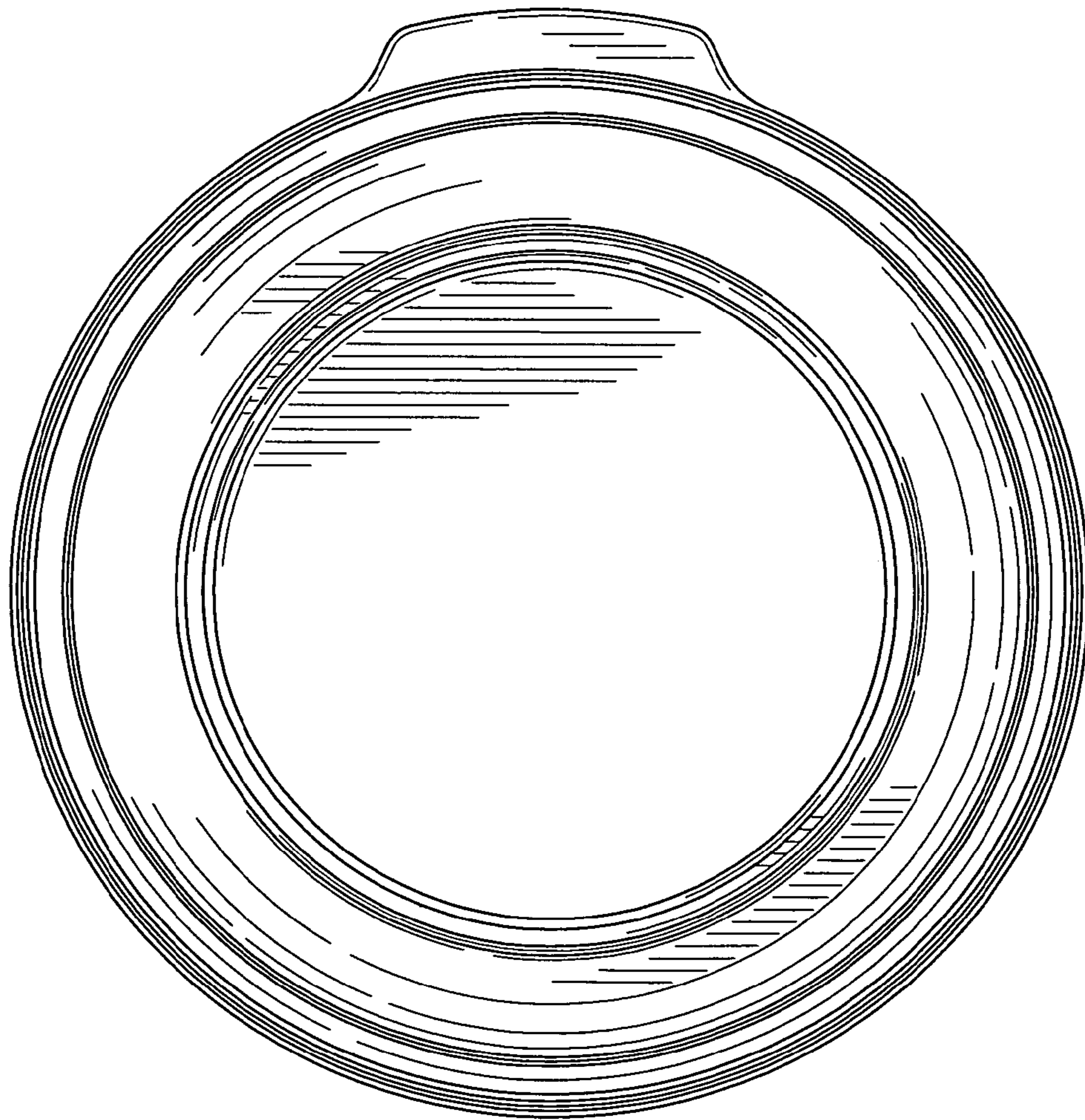


FIG. 7

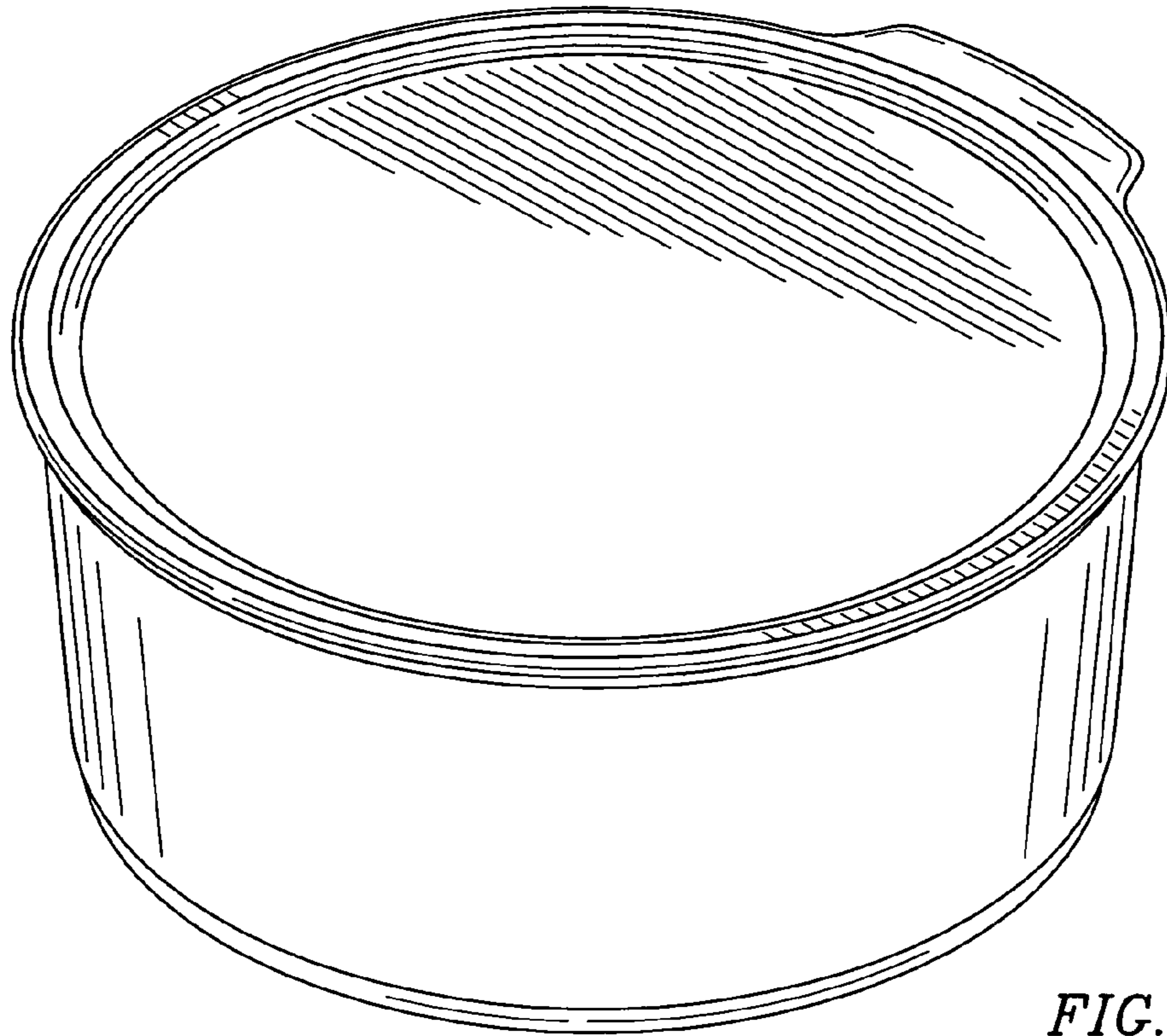


FIG. 8

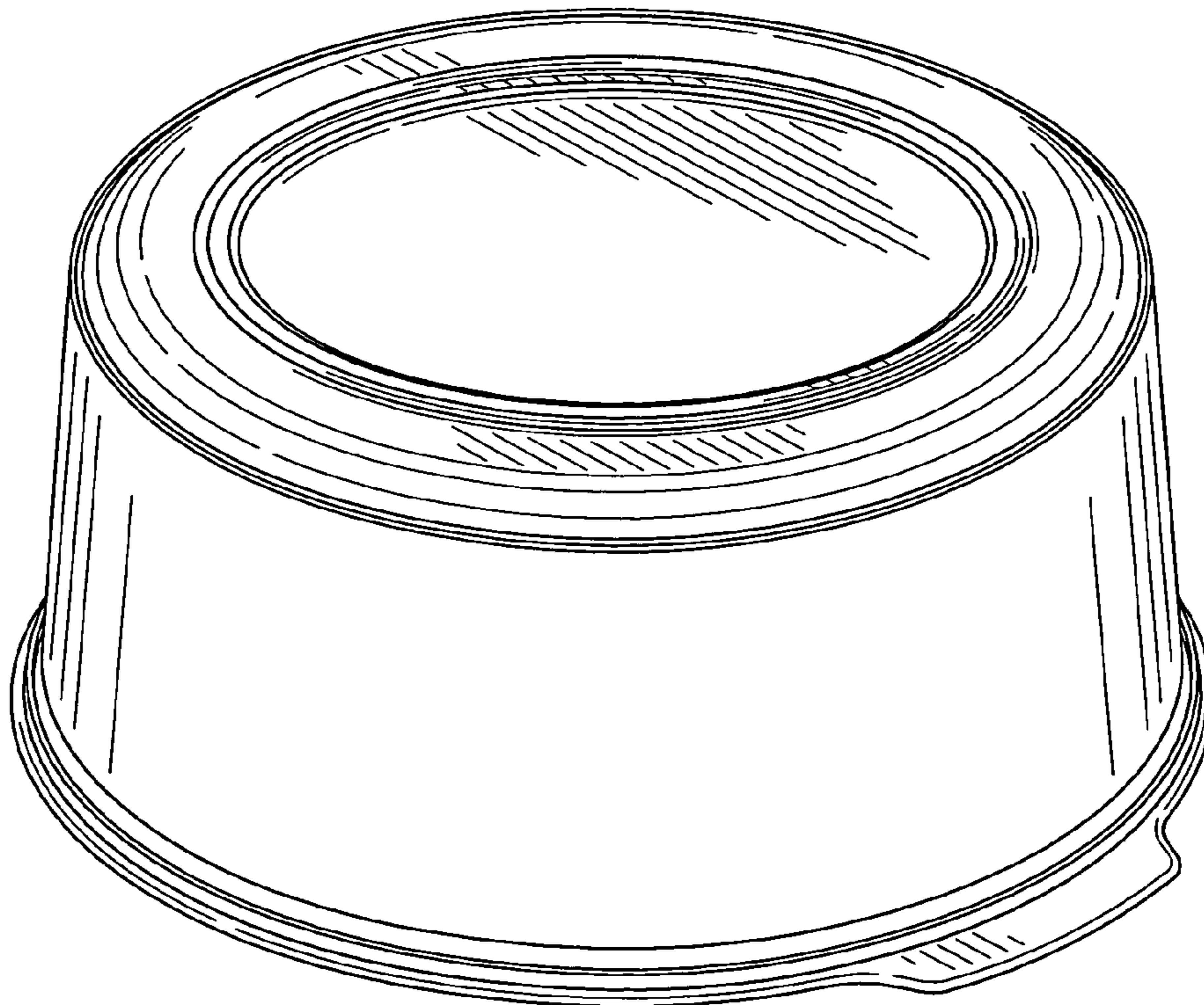


FIG. 9

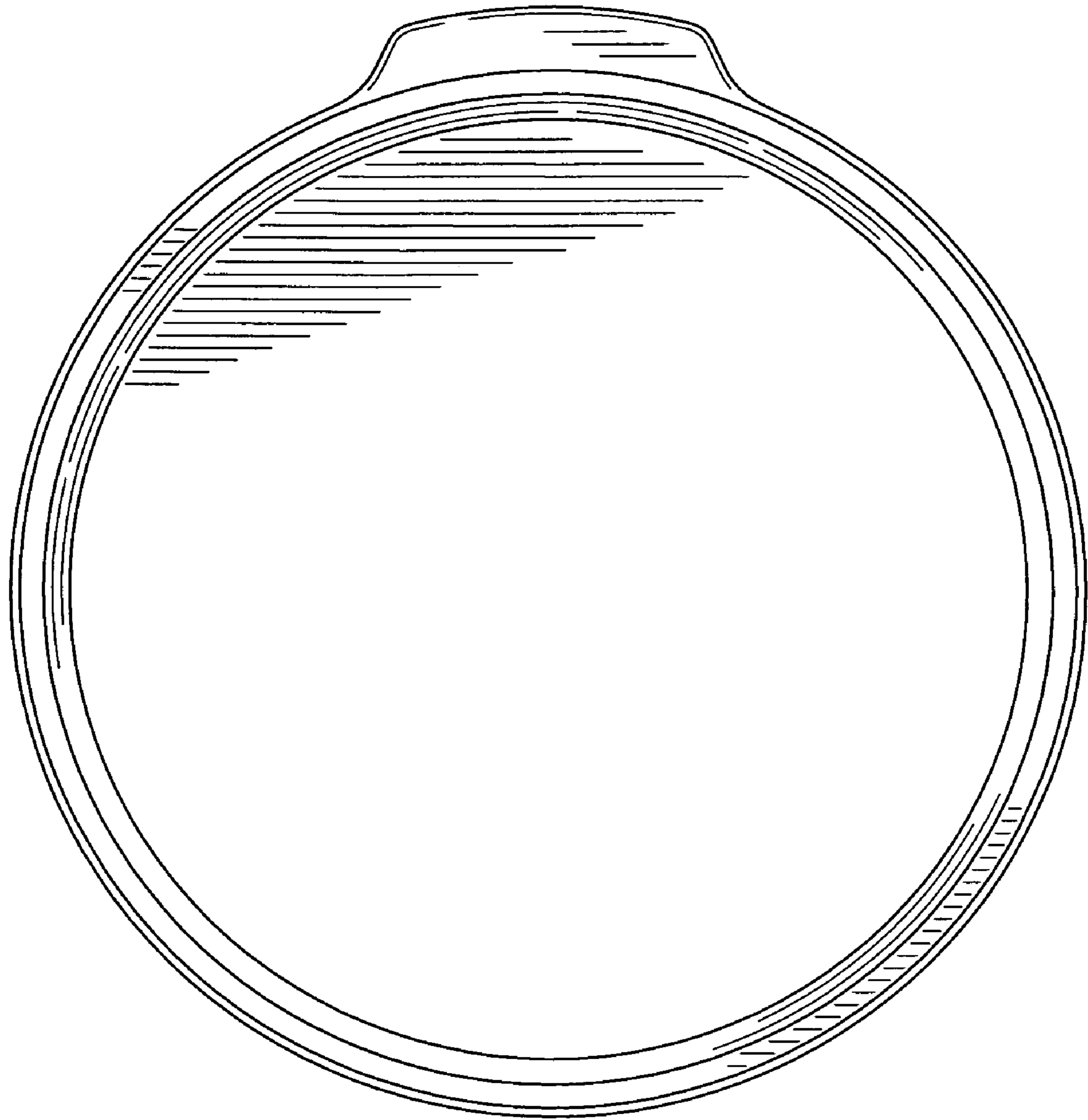


FIG. 10