



US00D621666S

(12) **United States Design Patent**
Wahl

(10) **Patent No.:** **US D621,666 S**

(45) **Date of Patent:** **** Aug. 17, 2010**

(54) **INSULATED CONTAINER**

(75) Inventor: **Andrew C. F. Wahl**, Seattle, WA (US)

(73) Assignee: **Pacific Market International, LLC**,
Seattle, WA (US)

(**) Term: **14 Years**

(21) Appl. No.: **29/337,455**

(22) Filed: **May 21, 2009**

(51) **LOC (9) Cl.** **07-01**

(52) **U.S. Cl.** **D7/608**

(58) **Field of Classification Search** D7/605–608,
D7/509–511; D9/531, 537, 549; 215/12.1,
215/12.2, 13.1; 220/592.27, 592.2, 592.01
See application file for complete search history.

(56) **References Cited**

U.S. PATENT DOCUMENTS

D295,355 S *	4/1988	Leung	D7/608
D386,950 S *	12/1997	Dettmar	D7/608
D422,455 S *	4/2000	Kato	D7/608
6,119,888 A *	9/2000	Goto et al.	220/592.27
D467,130 S *	12/2002	Janky	D7/608
D497,778 S *	11/2004	Rich	D7/608
D500,231 S *	12/2004	Ward et al.	D7/608
D569,195 S *	5/2008	Kim	D7/608

* cited by examiner

Primary Examiner—Terry A Wallace

(74) *Attorney, Agent, or Firm*—Davis Wright Tremaine LLP;
George C. Rondeau, Jr.

(57) **CLAIM**

The ornamental design for an insulated container, as shown and described.

DESCRIPTION

FIG. 1 is a top right side perspective view of an insulated container showing my new design.

FIG. 2 is a left side elevational view thereof.

FIG. 3 is a right side elevational view thereof.

FIG. 4 is a rear elevational view thereof.

FIG. 5 is a front elevational view thereof.

FIG. 6 is a top plan view thereof.

FIG. 7 is a bottom plan view thereof.

FIG. 8 is a top right side perspective view of a second embodiment thereof.

FIG. 9 is a left side elevational view thereof.

FIG. 10 is a right side elevational view thereof.

FIG. 11 is a rear elevational view thereof.

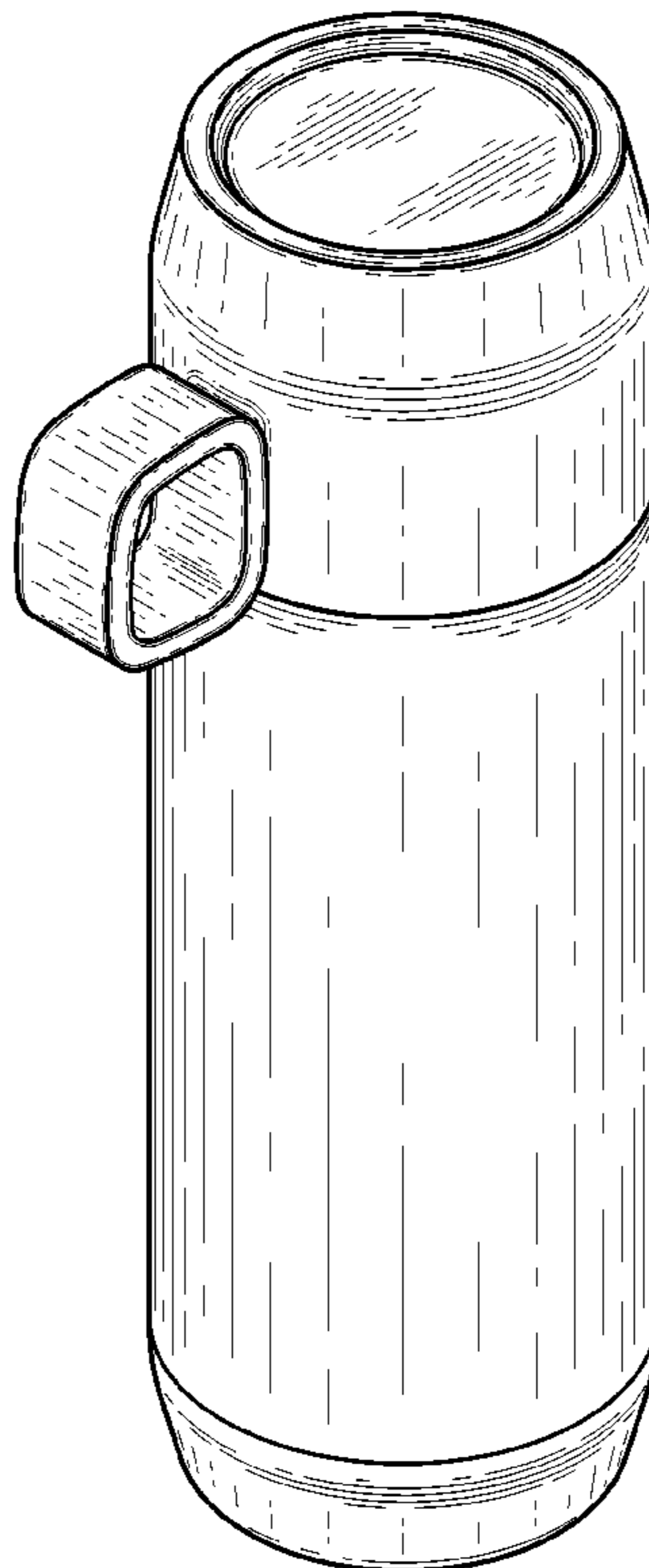
FIG. 12 is a front elevational view thereof.

FIG. 13 is a top plan view thereof; and,

FIG. 14 is a bottom plan view thereof.

The broken lines represent portions of the insulated container that form no part of the claim.

1 Claim, 12 Drawing Sheets



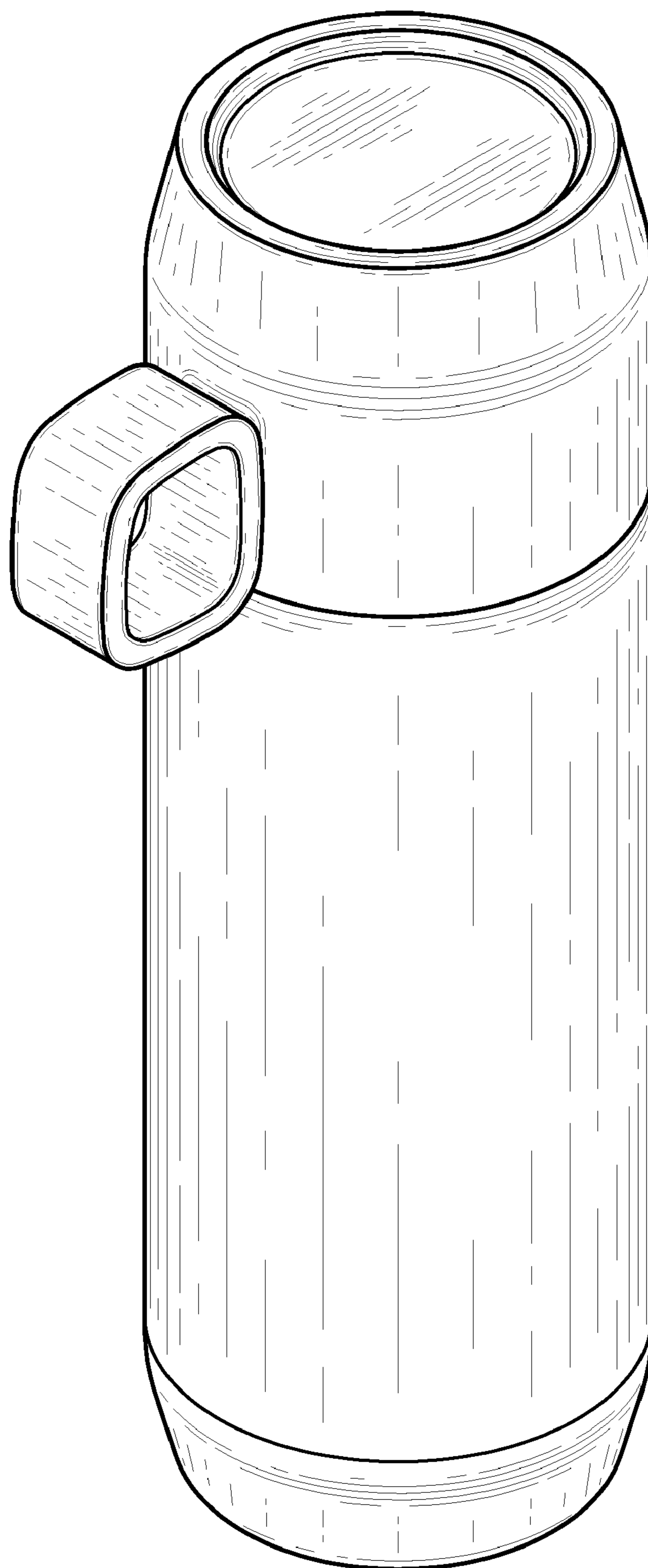


Fig. 1

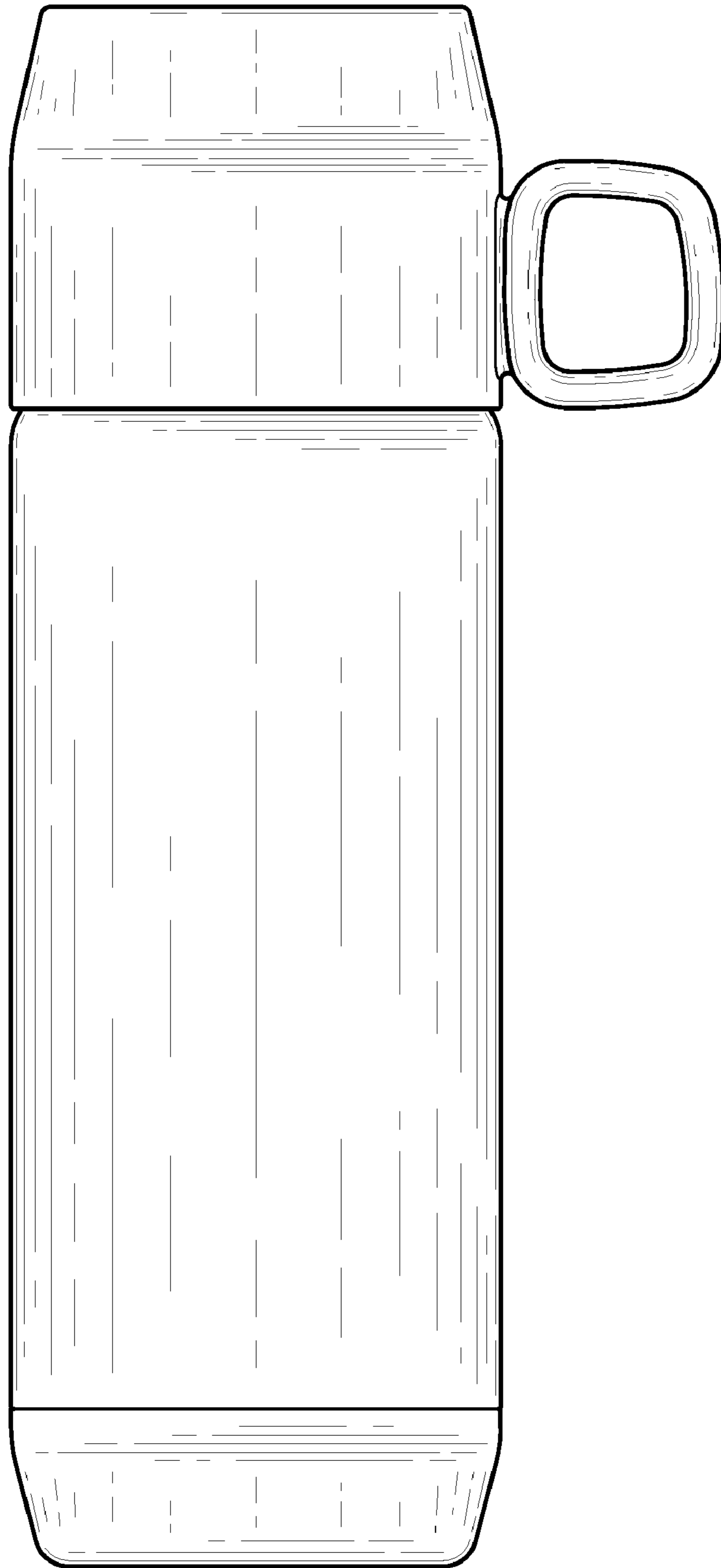


Fig. 2

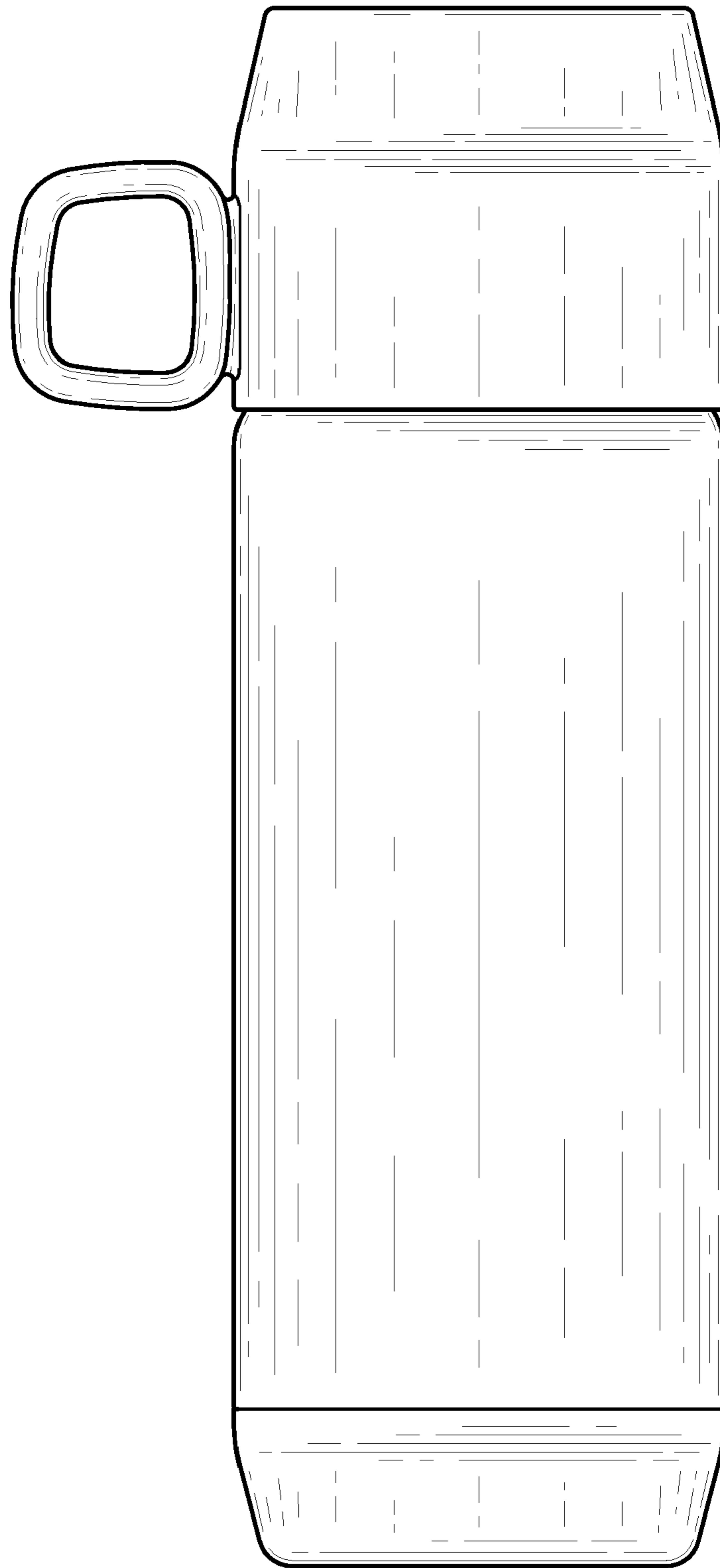


Fig. 3

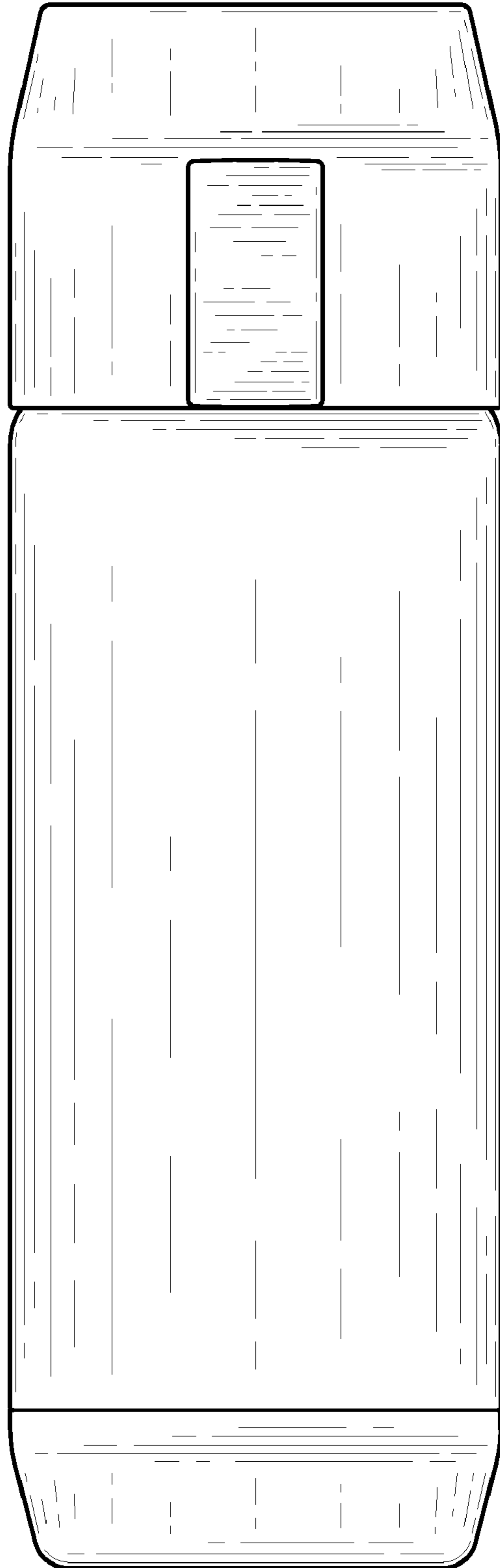


Fig. 4

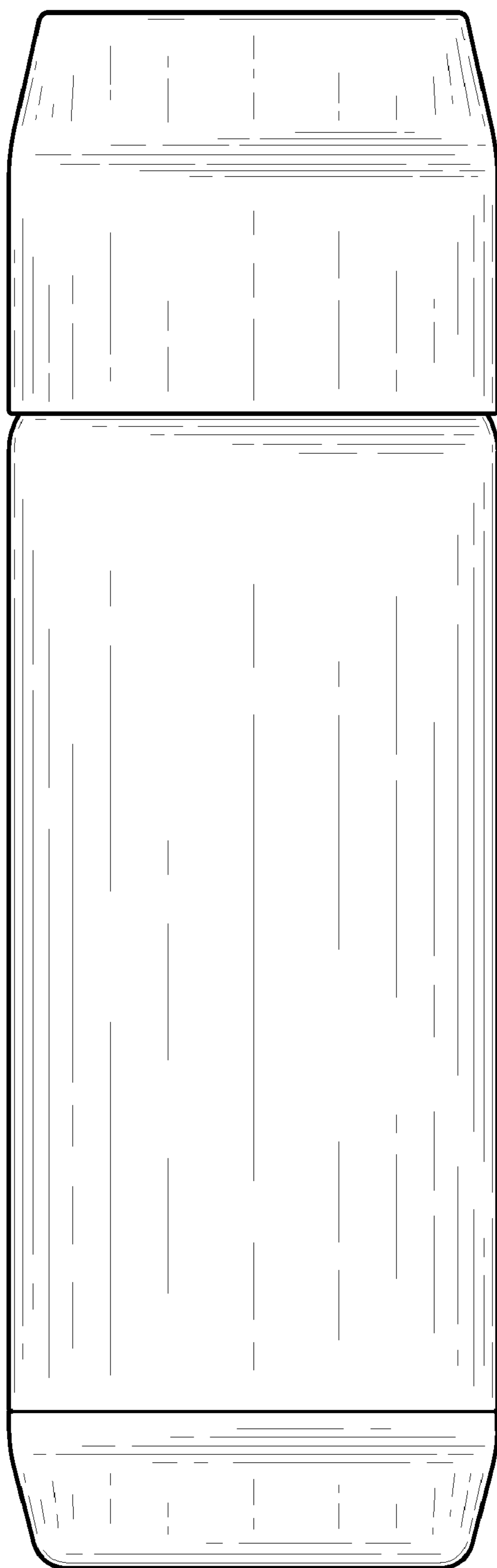


Fig. 5

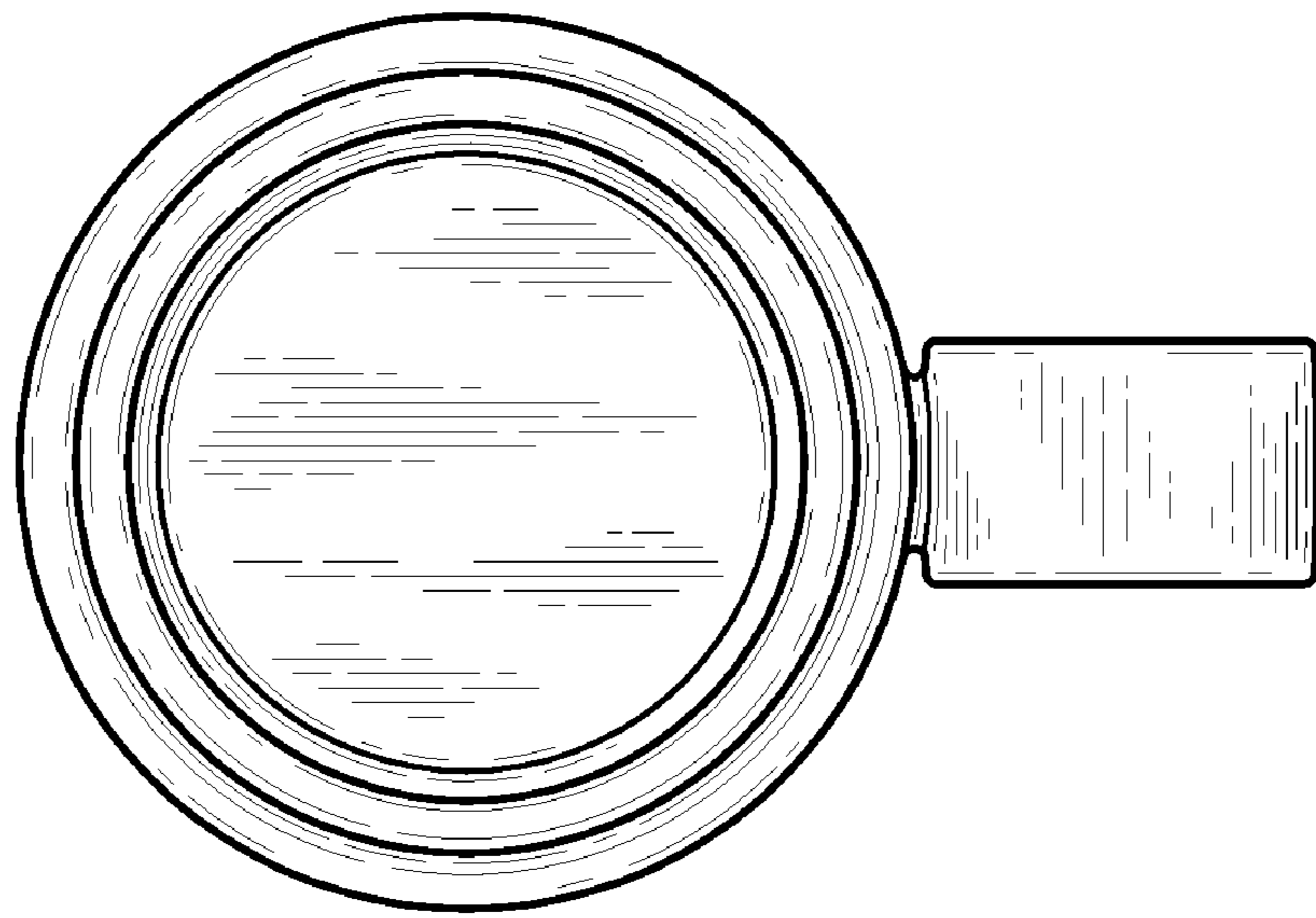


Fig. 6

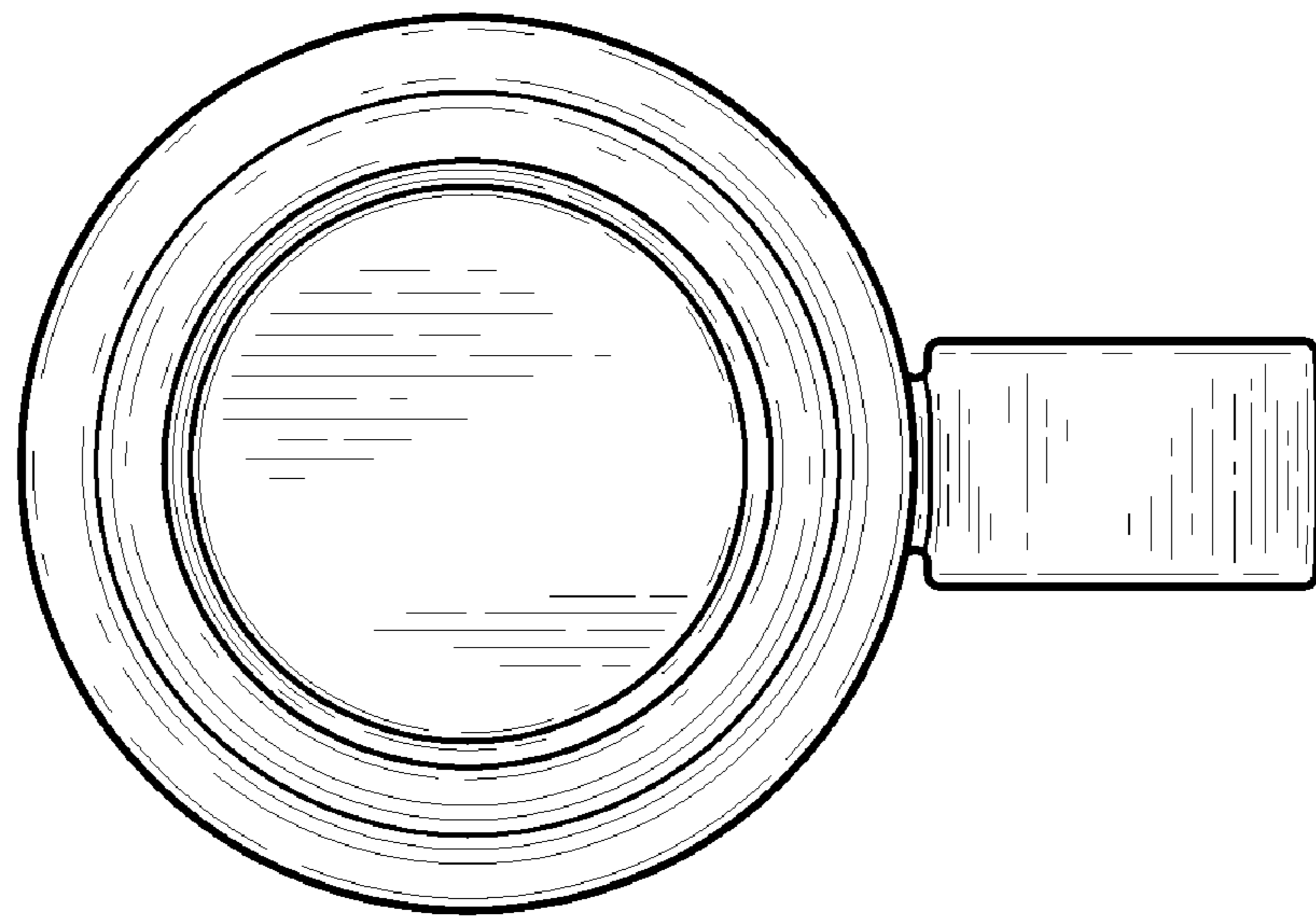


Fig. 7

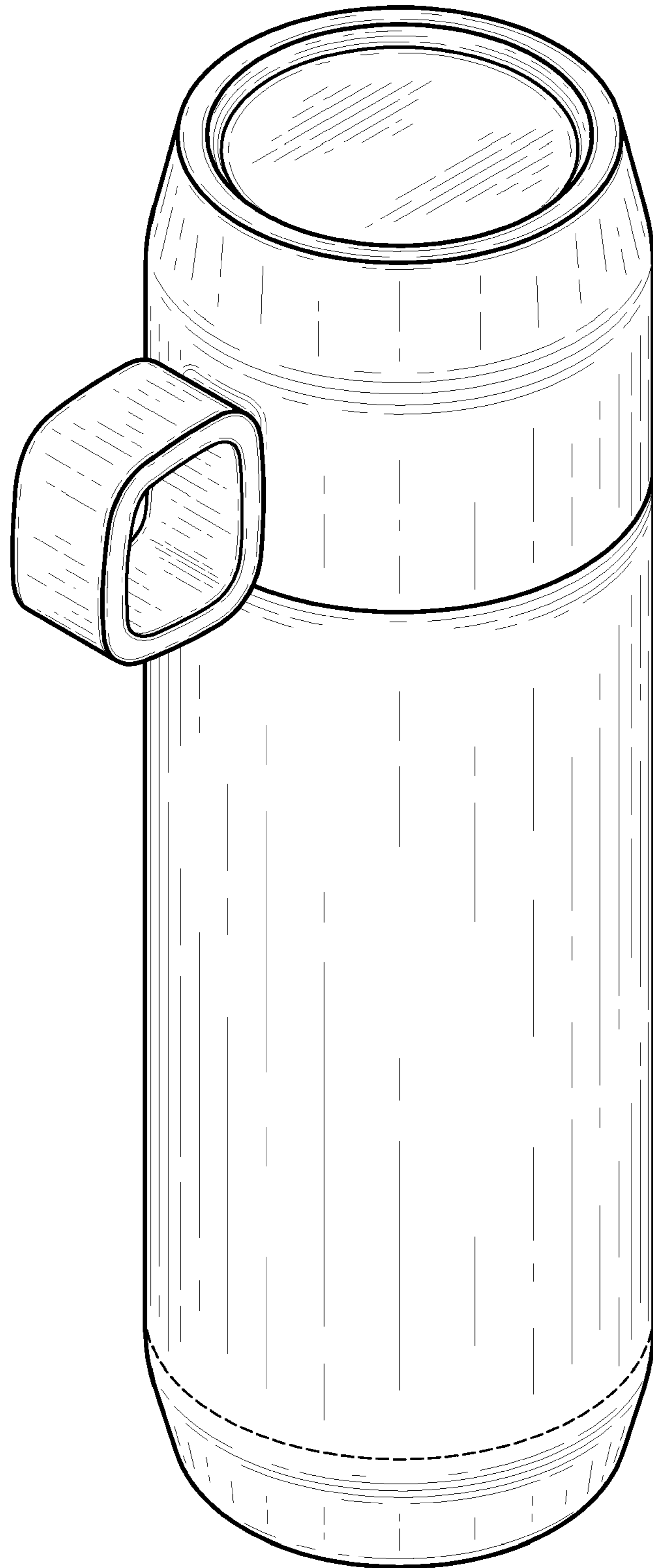


Fig. 8

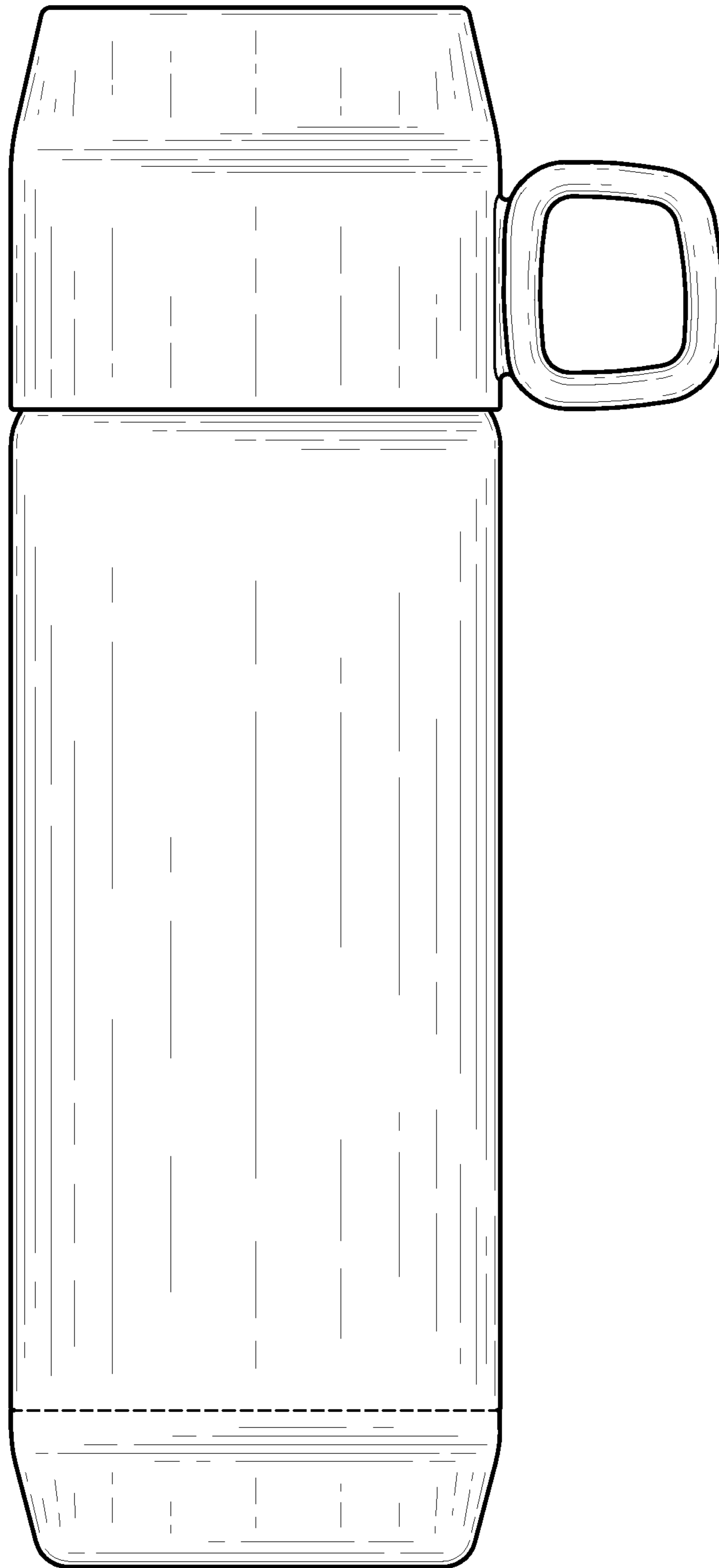


Fig. 9

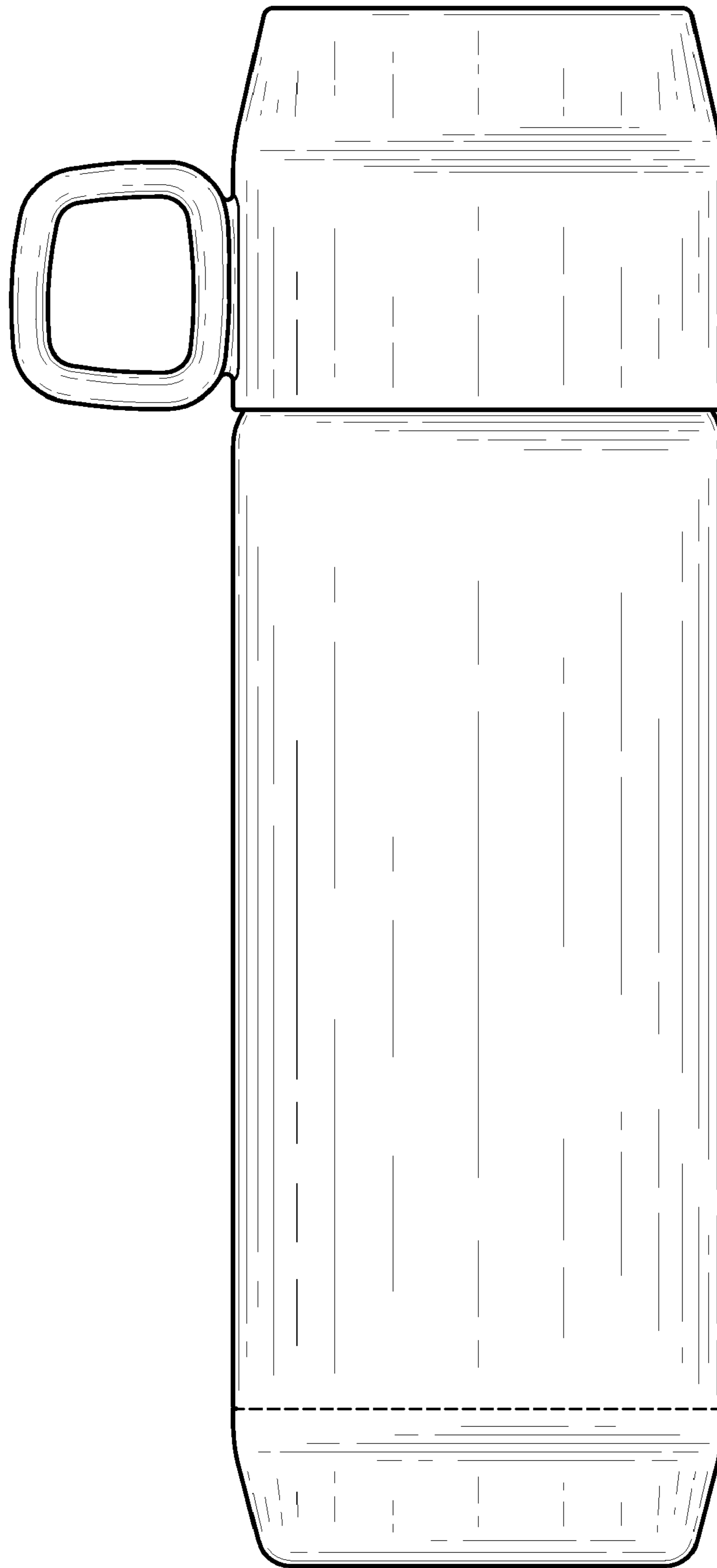


Fig. 10

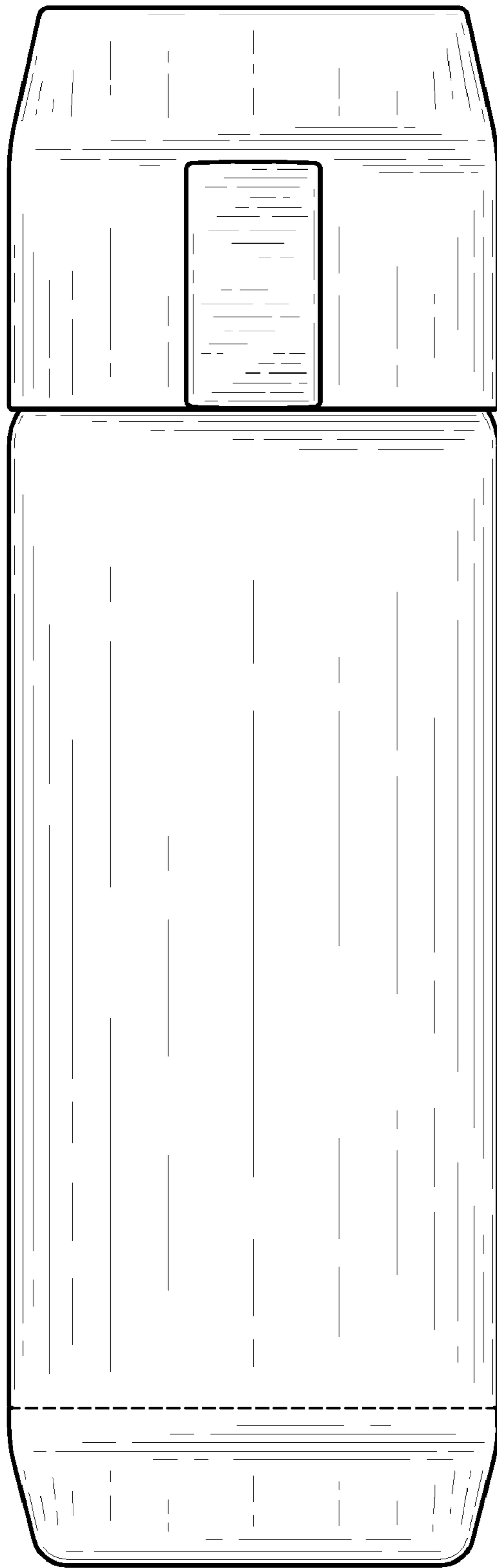


Fig. 11

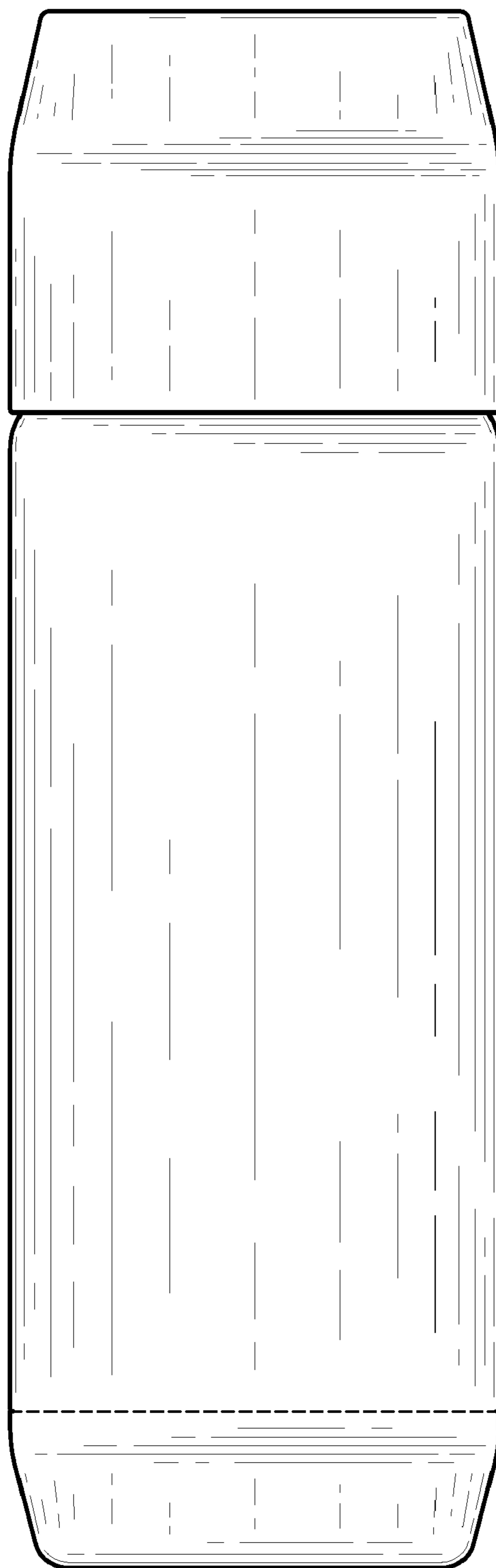


Fig. 12

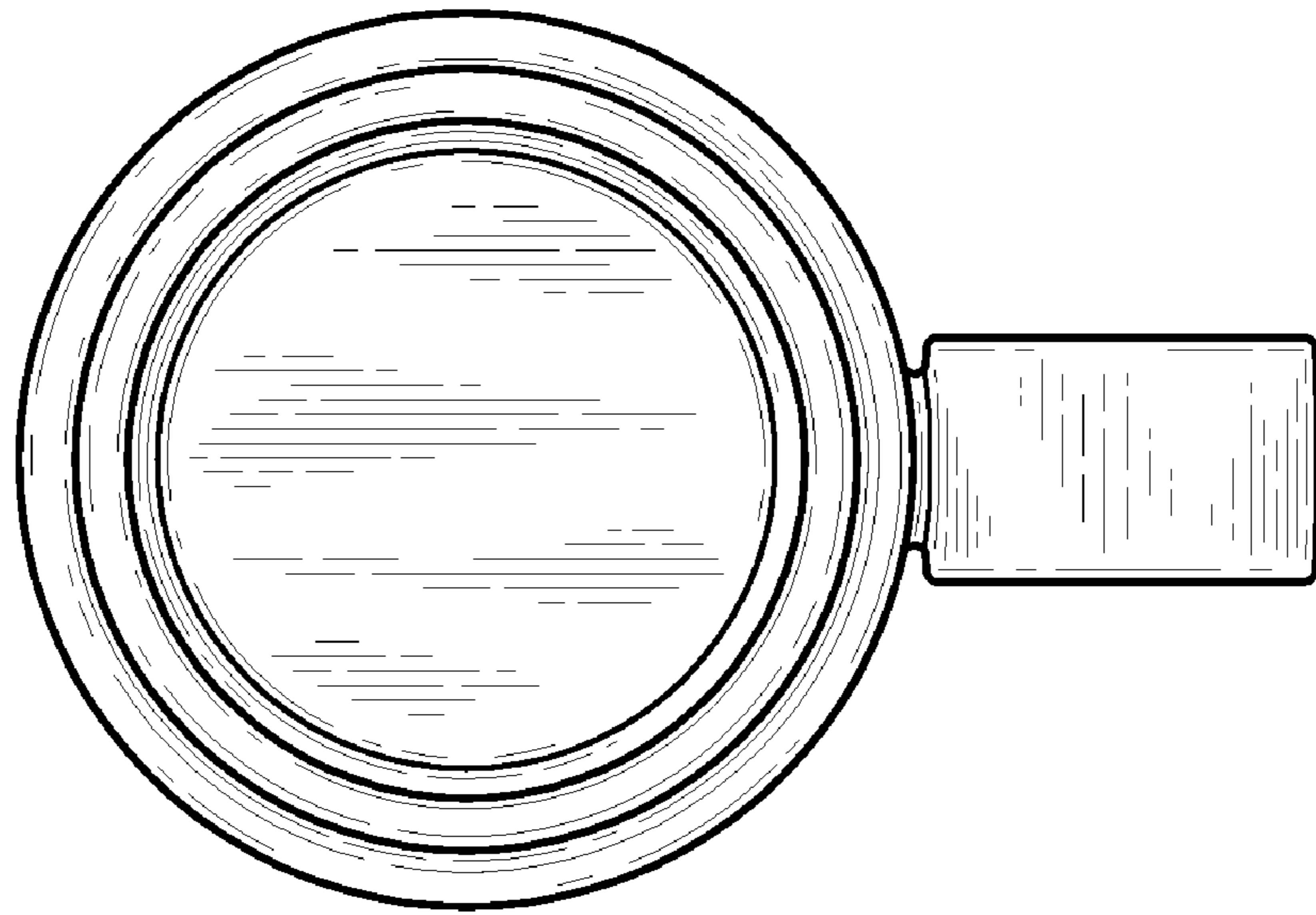


Fig. 13

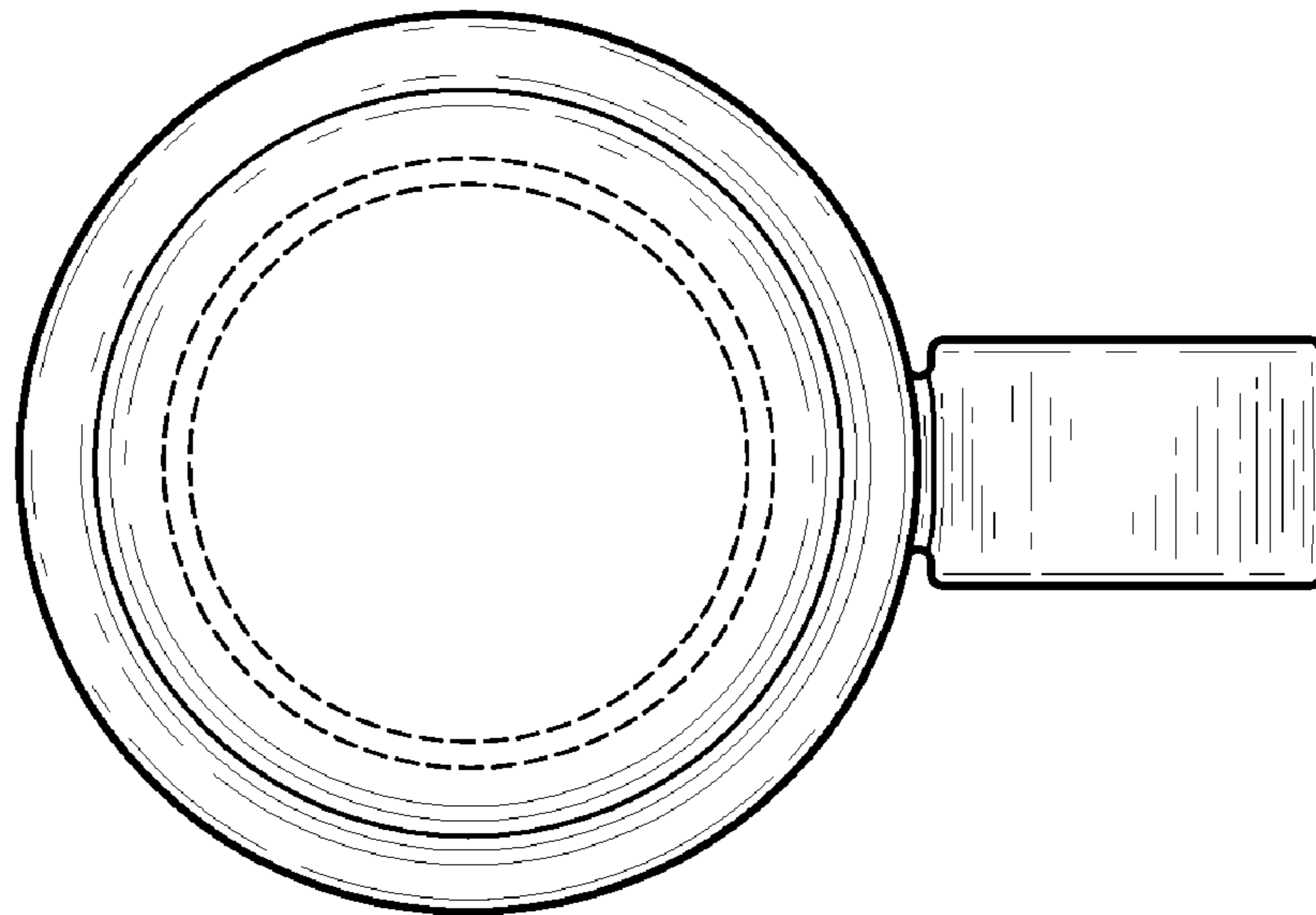


Fig. 14