



US00D621663S

(12) **United States Design Patent**
Cantwell

(10) **Patent No.:** **US D621,663 S**

(45) **Date of Patent:** **** Aug. 17, 2010**

(54) **CONSUMPTION RATE CONTROLLING PLATE**

(76) **Inventor:** **Denise Cantwell**, 247 Lothrop St., Taunton, MA (US) 02780

(**) **Term:** **14 Years**

(21) **Appl. No.:** **29/346,478**

(22) **Filed:** **Nov. 1, 2009**

(51) **LOC (9) Cl.** **07-01**

(52) **U.S. Cl.** **D7/553.6; D7/505; D7/557**

(58) **Field of Classification Search** **D7/555-557, D7/553.6, 501, 598, 701, 590, 566, 567, 584; D9/424; D11/164, 152; D6/403, 469; D19/77, D19/85; 220/23.8, 575, 501; 211/77, 129.1, 211/131.1; 101/407.1; 108/94; 206/214**
See application file for complete search history.

(56) **References Cited**

U.S. PATENT DOCUMENTS

2,281,849 A * 5/1942 McCoppin 211/77
D293,640 S * 1/1988 Perry et al. D7/553.6

D347,143 S * 5/1994 Awyong D7/354
D374,798 S * 10/1996 Pippins, Jr. D7/553.4
6,131,334 A * 10/2000 Fan 47/81
D485,208 S * 1/2004 Fan D11/143
6,766,615 B2 * 7/2004 Smead 47/71
D541,551 S * 5/2007 Stevenson, III D6/403
D566,467 S * 4/2008 Starck D7/505
D595,538 S * 7/2009 Starck D7/507
D607,721 S * 1/2010 Masotti et al. D9/424

* cited by examiner

Primary Examiner—Robert M Spear
Assistant Examiner—Cynthia Underwood

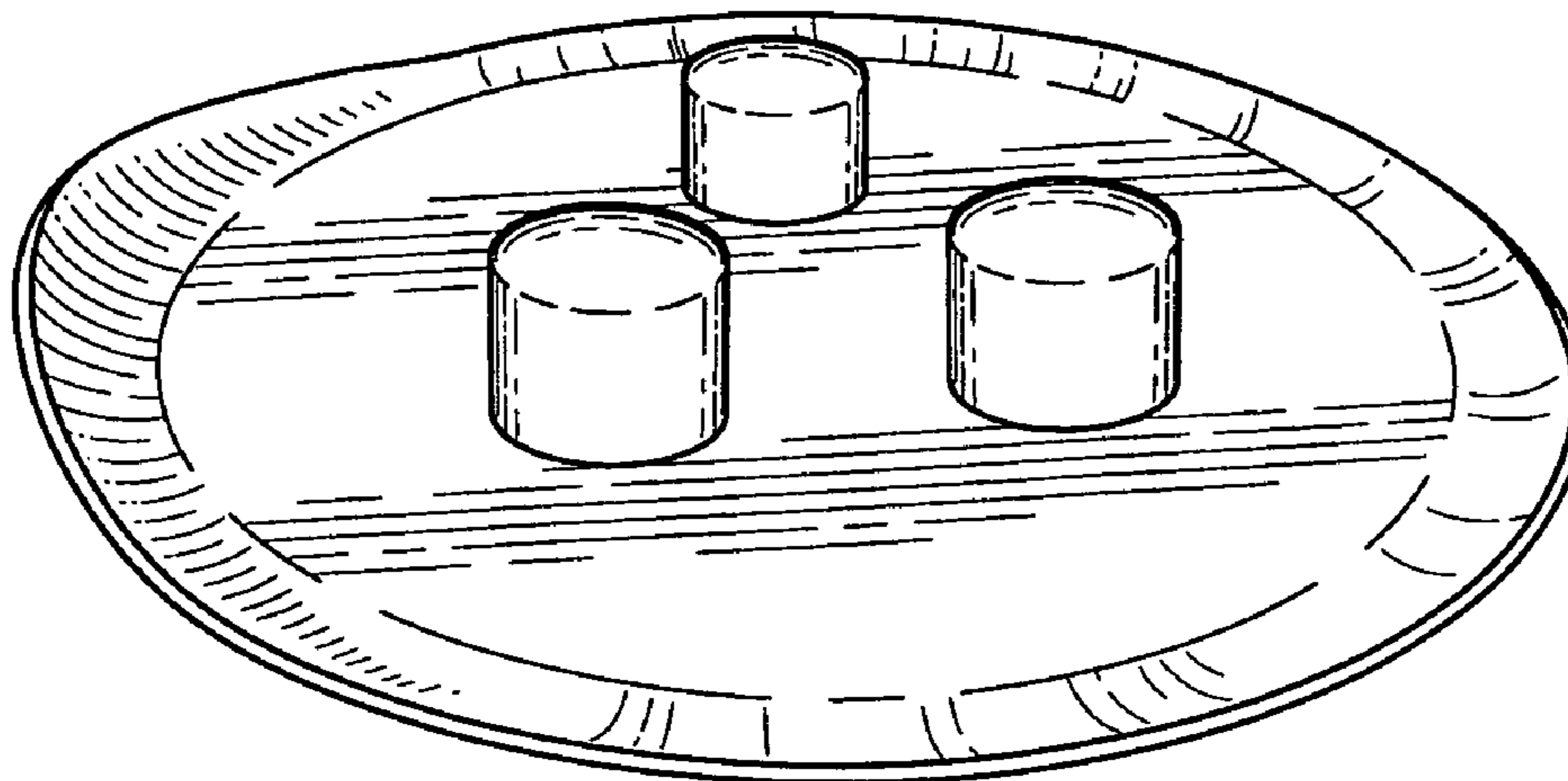
(57) **CLAIM**

The ornamental design for a consumption rate controlling plate, as shown.

DESCRIPTION

FIG. 1 is a frontal perspective view thereof; FIG. 2 is a side elevation view thereof; and, FIG. 3 is a top view thereof.

1 Claim, 1 Drawing Sheet



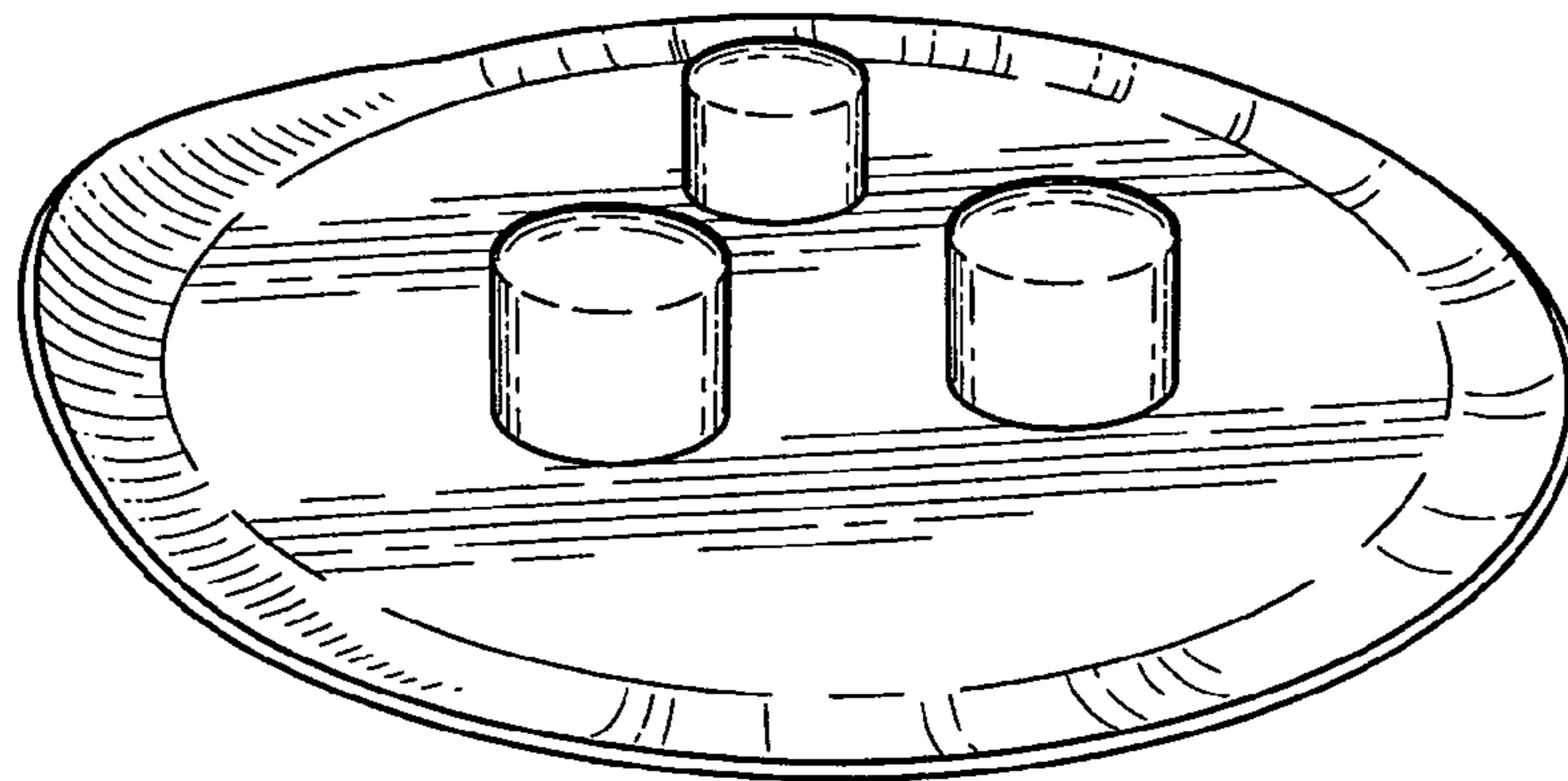


FIG. 1

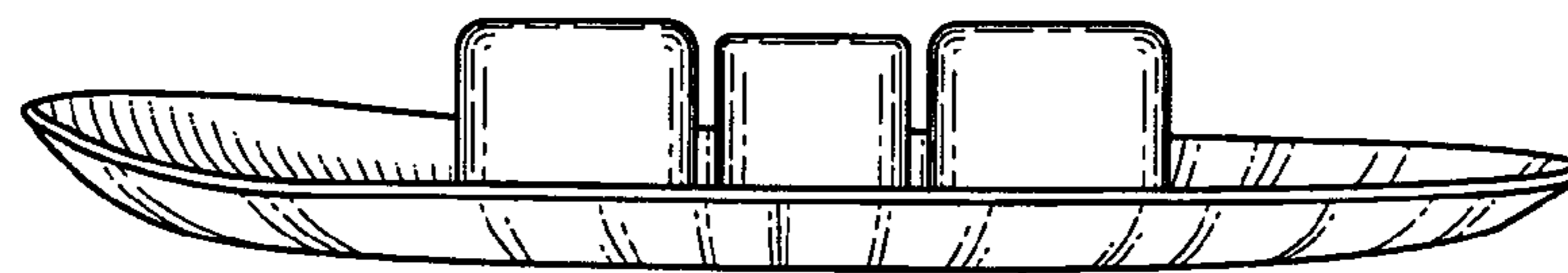


FIG. 2

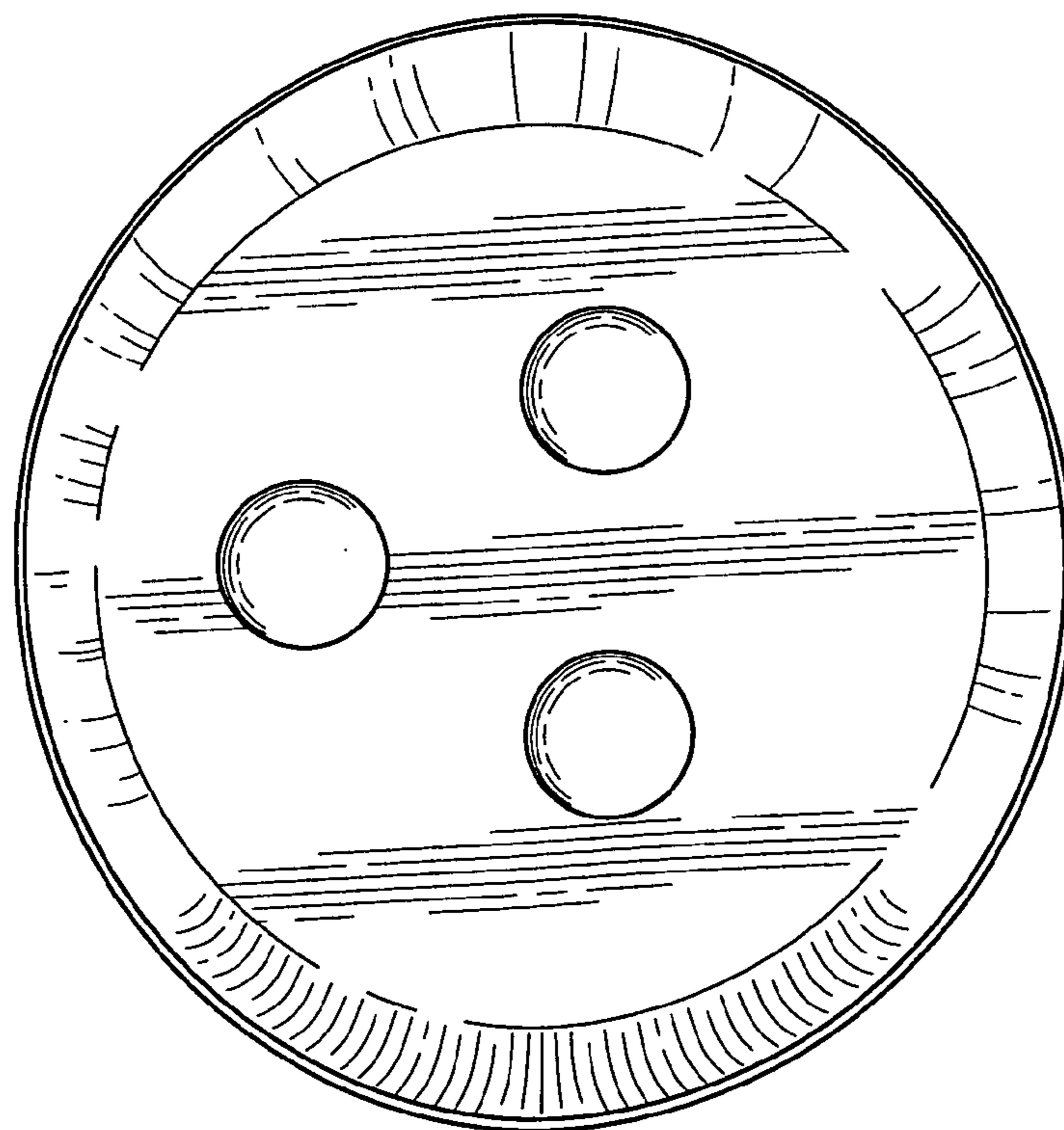


FIG. 3