



US00D621659S

(12) **United States Design Patent**
Liu

(10) **Patent No.:** **US D621,659 S**

(45) **Date of Patent:** **** Aug. 17, 2010**

(54) **TUMBLER**

(76) **Inventor:** **Morgan Liu**, 7F, No. 61, Zhou-Zi Street,
Nei-Hu District, Taipei City 11493 (TW)

(**) **Term:** **14 Years**

(21) **Appl. No.:** **29/345,018**

(22) **Filed:** **Oct. 8, 2009**

(51) **LOC (9) Cl.** **07-01**

(52) **U.S. Cl.** **D7/510; D7/511; D7/532;**
D7/523; D7/531

(58) **Field of Classification Search** **D7/624.4,**
D7/510, 511, 532, 509, 523, 531; 220/903,
220/738, 711, 717, 719, 793; 229/404; 215/387,
215/383; D9/500.428

See application file for complete search history.

(56) **References Cited**

U.S. PATENT DOCUMENTS

2,984,035	A *	5/1961	Nalle, Jr.	40/324
3,606,262	A *	9/1971	Vant Hoff	366/341
3,606,282	A *	9/1971	Tookey	432/29
4,852,757	A *	8/1989	Gold	220/4.03
5,205,473	A *	4/1993	Coffin, Sr.	229/403
5,509,568	A *	4/1996	Warden et al.	220/711
D371,936	S *	7/1996	Goto et al.	D7/523
5,765,716	A *	6/1998	Cai et al.	220/740
5,826,786	A *	10/1998	Dickert	229/403
6,068,182	A *	5/2000	Tokunaga	229/403
6,286,709	B1 *	9/2001	Hudson	220/739
6,286,754	B1 *	9/2001	Stier et al.	229/403
D475,578	S *	6/2003	Hurlbut et al.	D7/533
D502,396	S *	3/2005	Frisch et al.	D9/503

D509,707	S *	9/2005	Tien	D7/510
D512,874	S *	12/2005	Poulson et al.	D7/510
D526,190	S *	8/2006	Bolt et al.	D9/418
D534,770	S *	1/2007	Gluck	D7/532
7,175,043	B2 *	2/2007	O'Neal	220/379
7,246,716	B2 *	7/2007	Durdon	220/254.3
D548,012	S *	8/2007	Tien	D7/532
7,284,676	B2 *	10/2007	Dantani	220/711
D590,662	S *	4/2009	Cheng	D7/511
7,537,136	B2 *	5/2009	Hechmati	220/739
D599,622	S *	9/2009	Gilbert et al.	D7/538
7,581,640	B2 *	9/2009	Lopez	206/459.1
2004/0084452	A1 *	5/2004	Hsieh	220/256.1
2007/0023442	A1 *	2/2007	Auzenne	220/801

* cited by examiner

Primary Examiner—Marianne Pandozzi

(74) *Attorney, Agent, or Firm*—Rabin & Berdo, P.C.

(57) **CLAIM**

The ornamental design for a tumbler, as shown and described.

DESCRIPTION

FIG. 1 is a perspective view of a tumbler showing my new design;

FIG. 2 is a front view thereof;

FIG. 3 is a back view thereof;

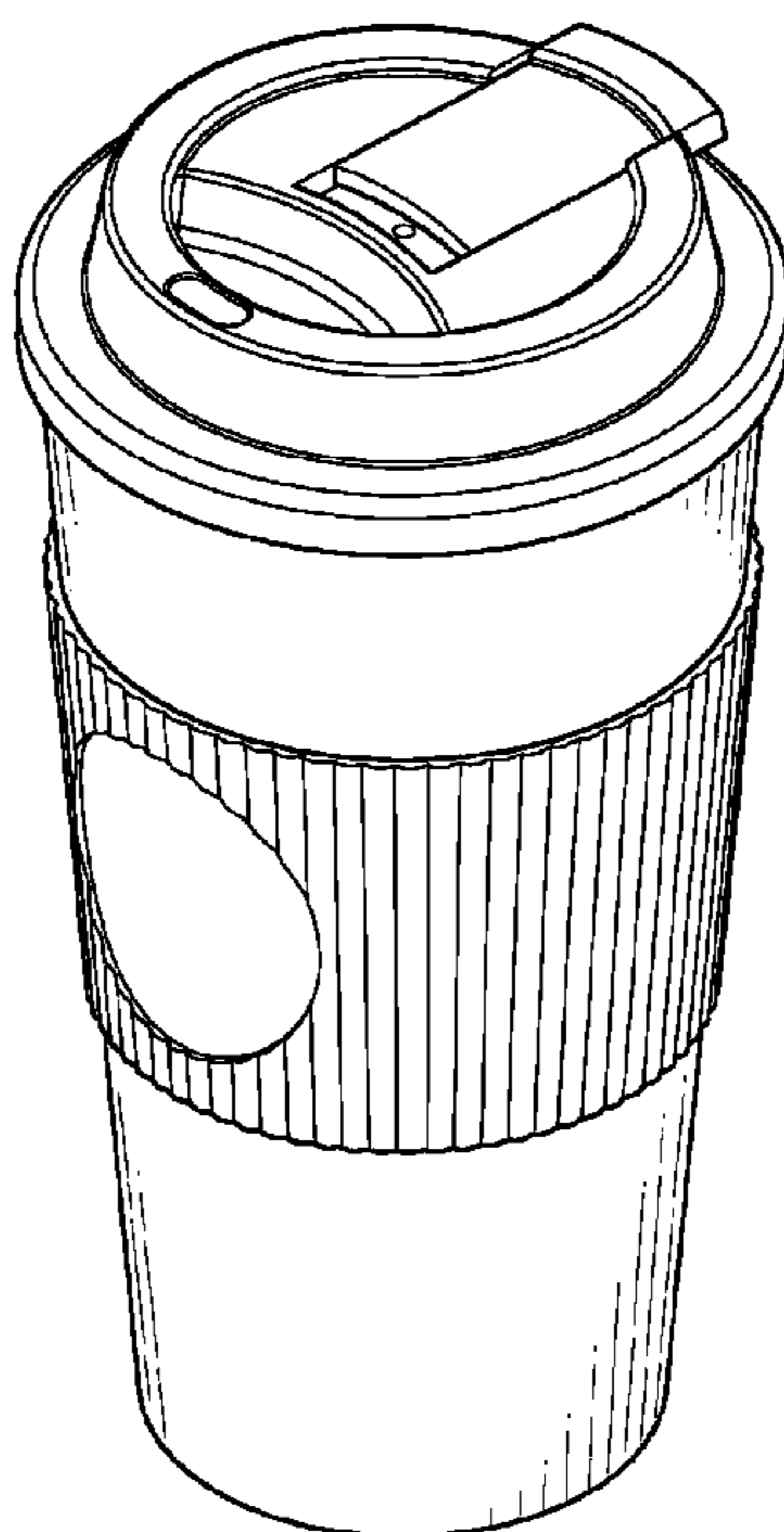
FIG. 4 is a left side view thereof;

FIG. 5 is a right side view thereof;

FIG. 6 is a top view thereof; and,

FIG. 7 is a bottom view thereof.

1 Claim, 6 Drawing Sheets



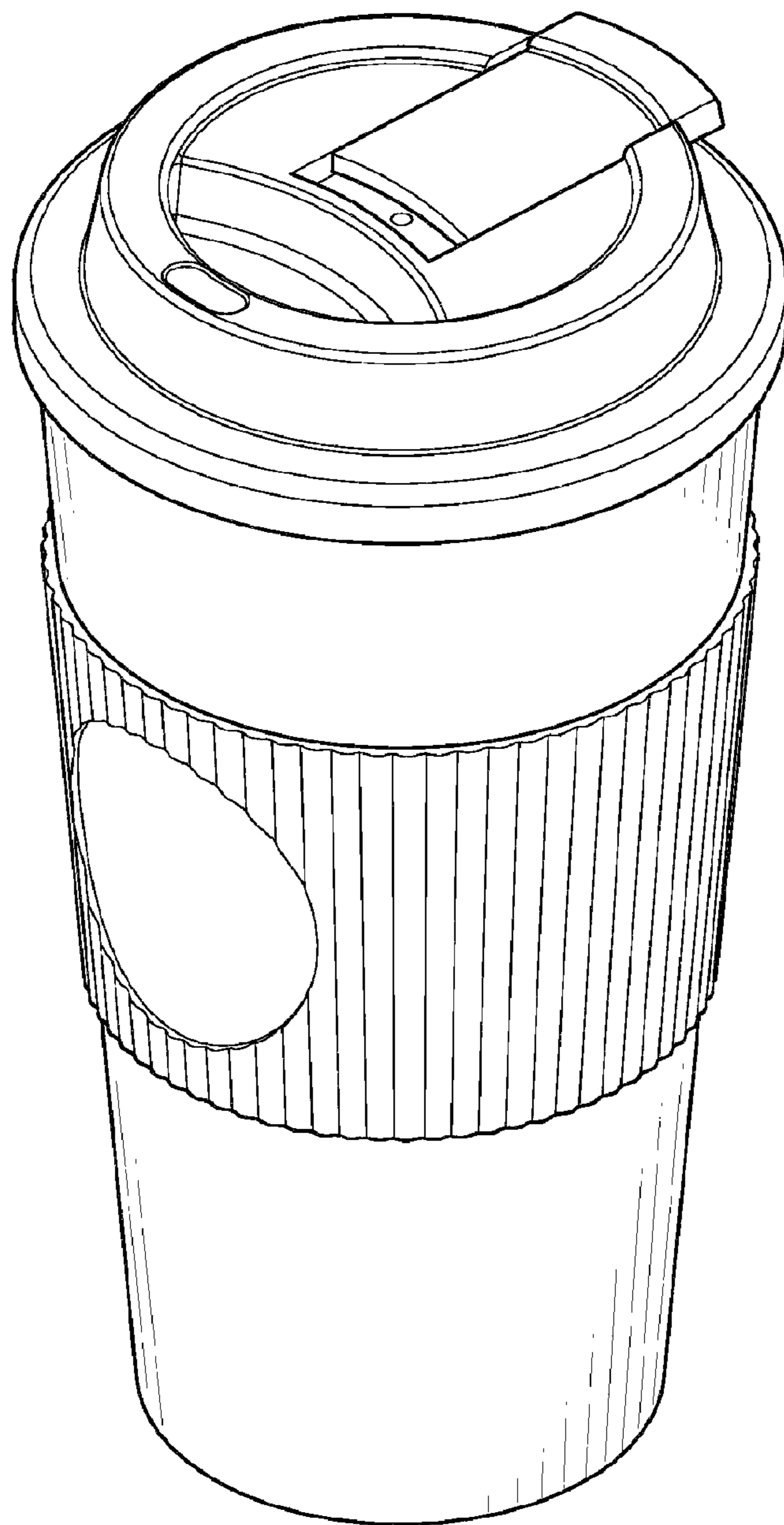


Fig. 1

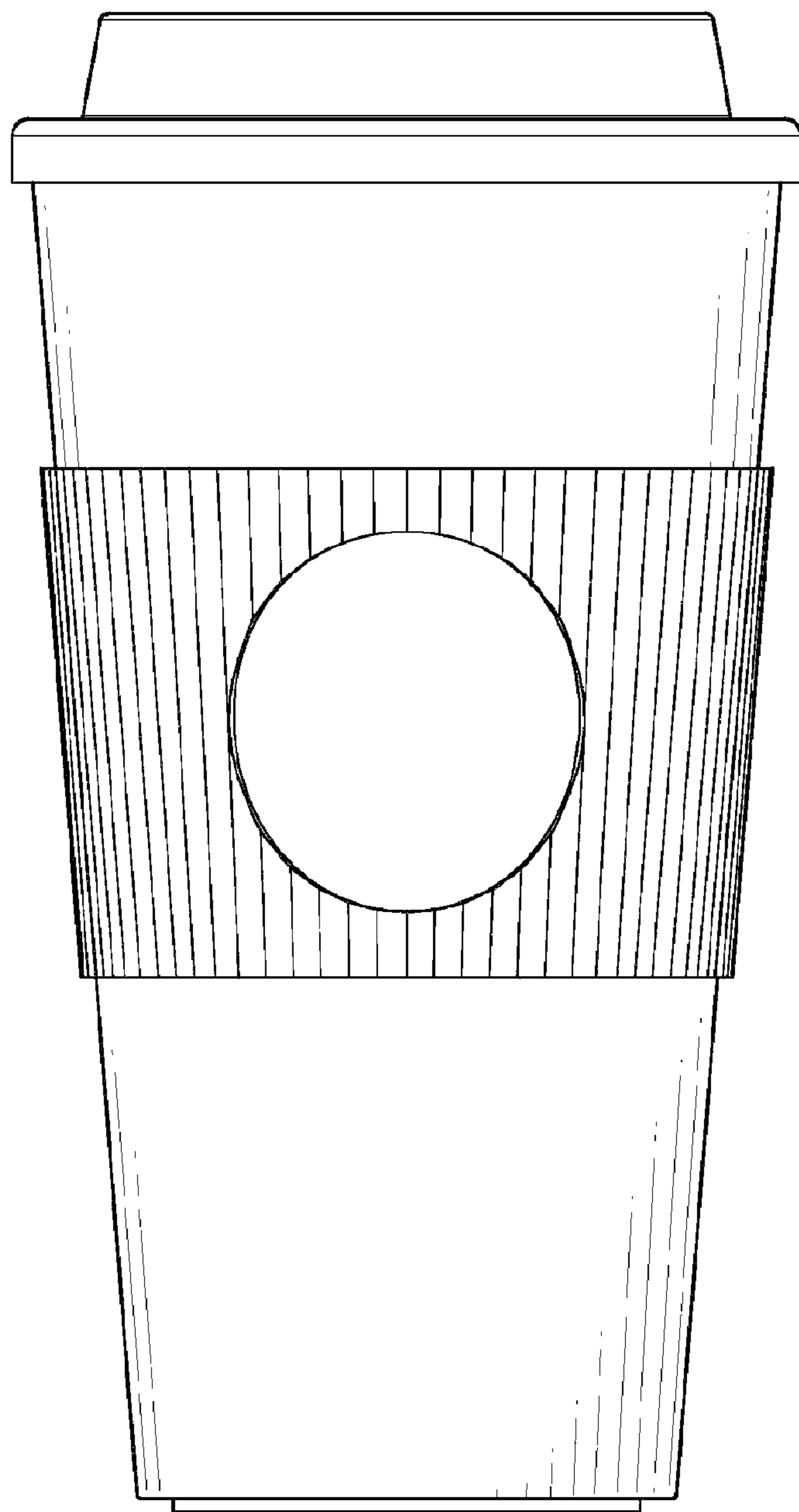


Fig. 2

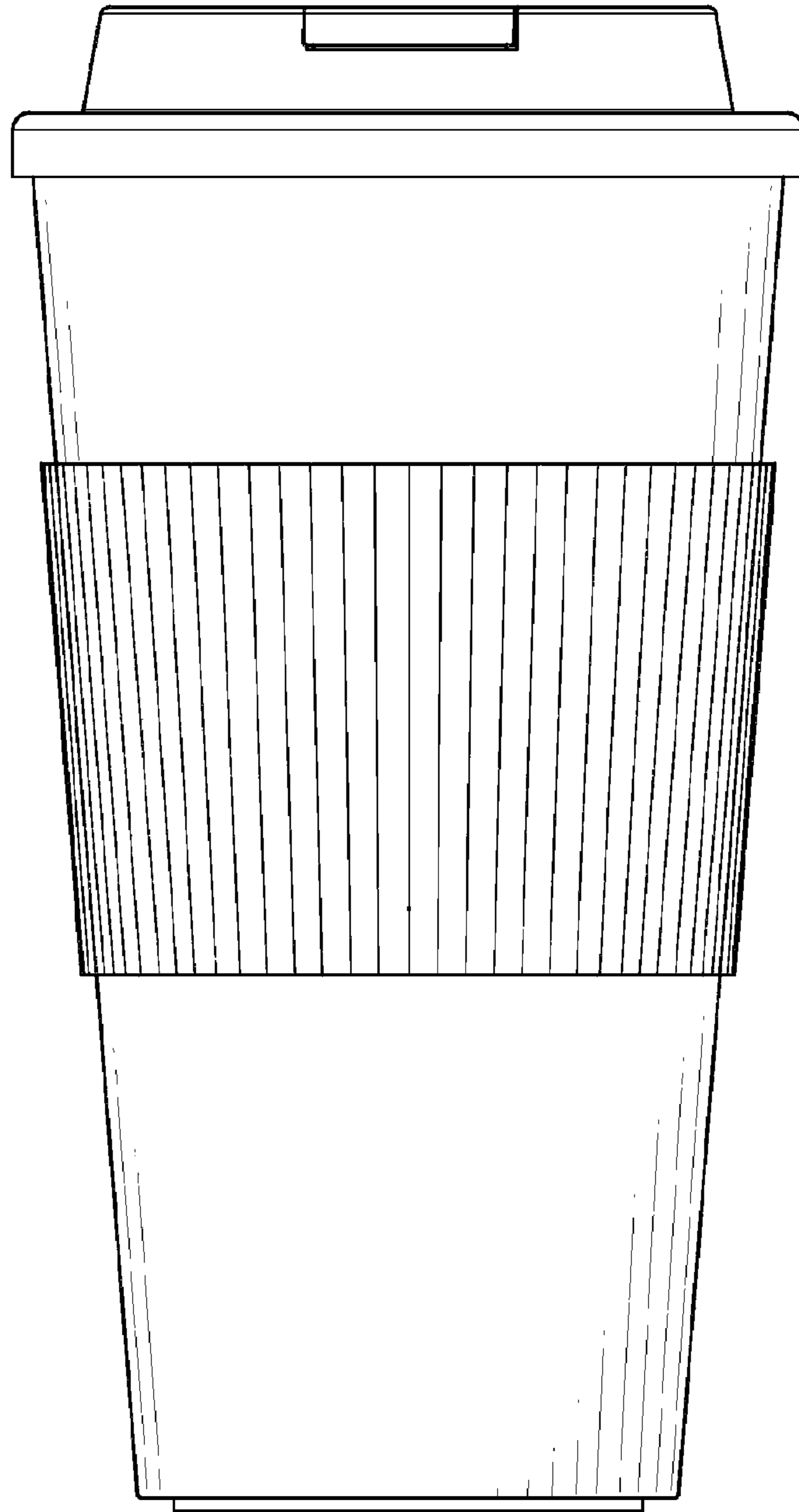


Fig. 3

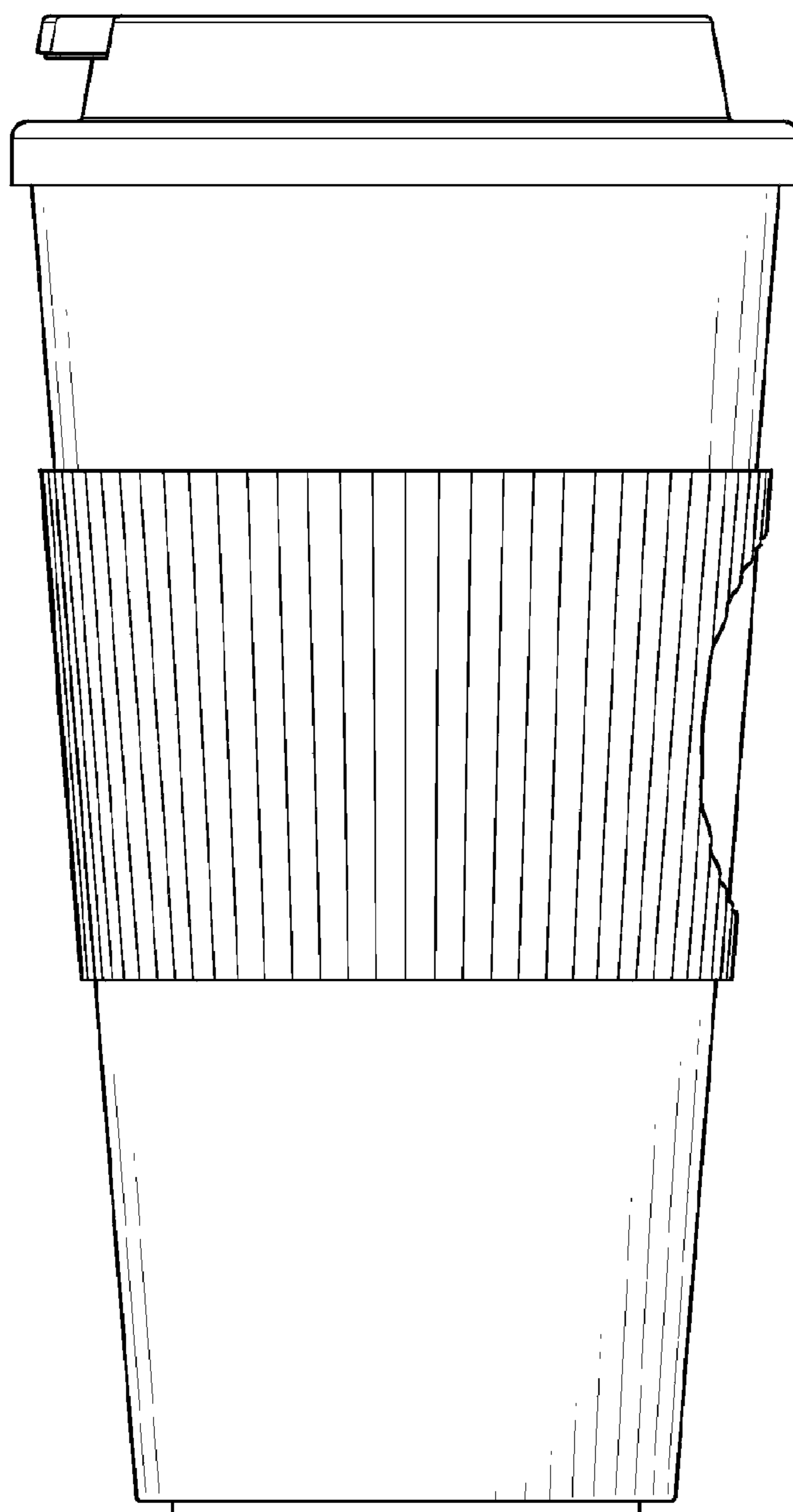


Fig. 4

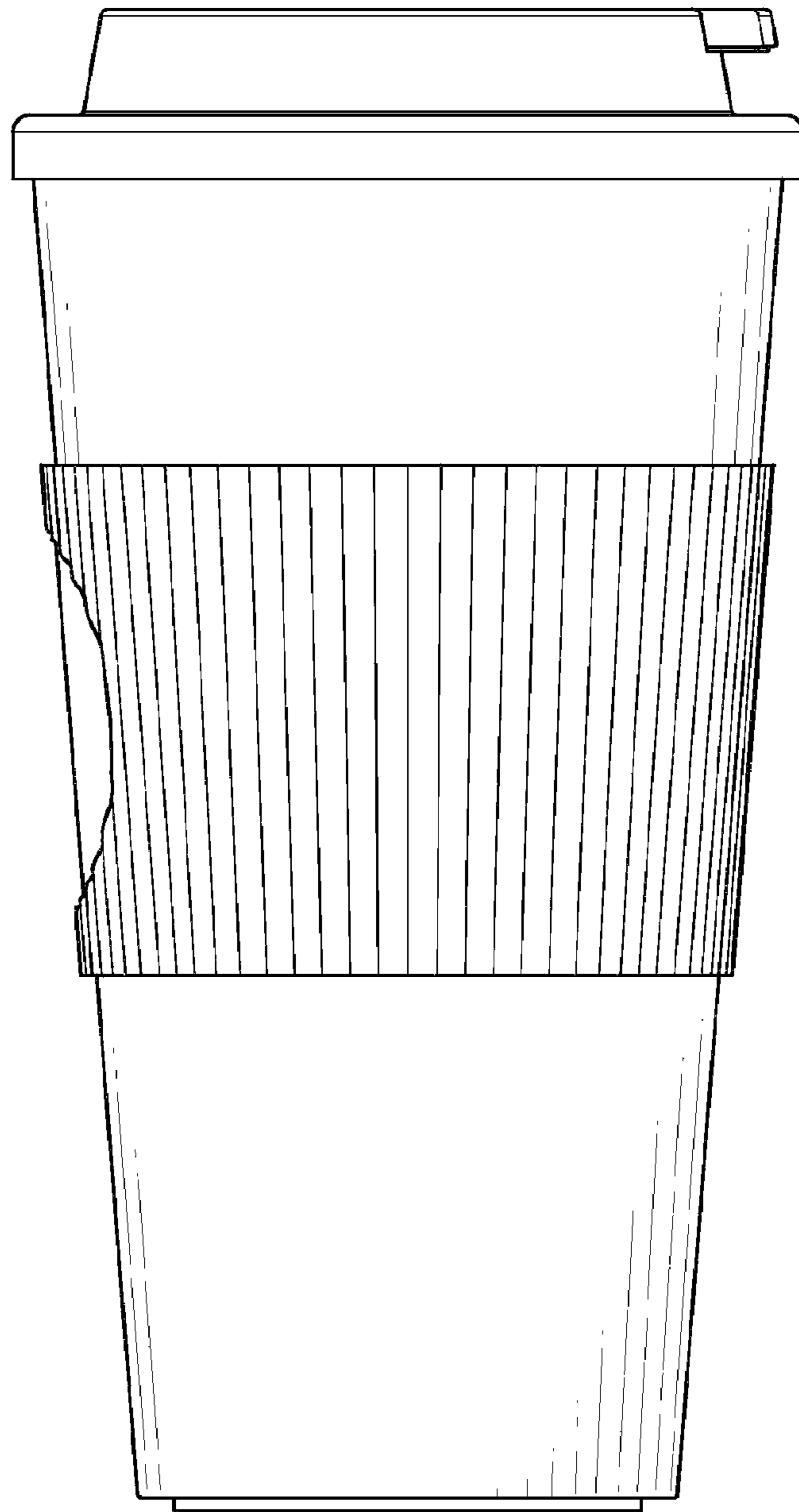


Fig. 5

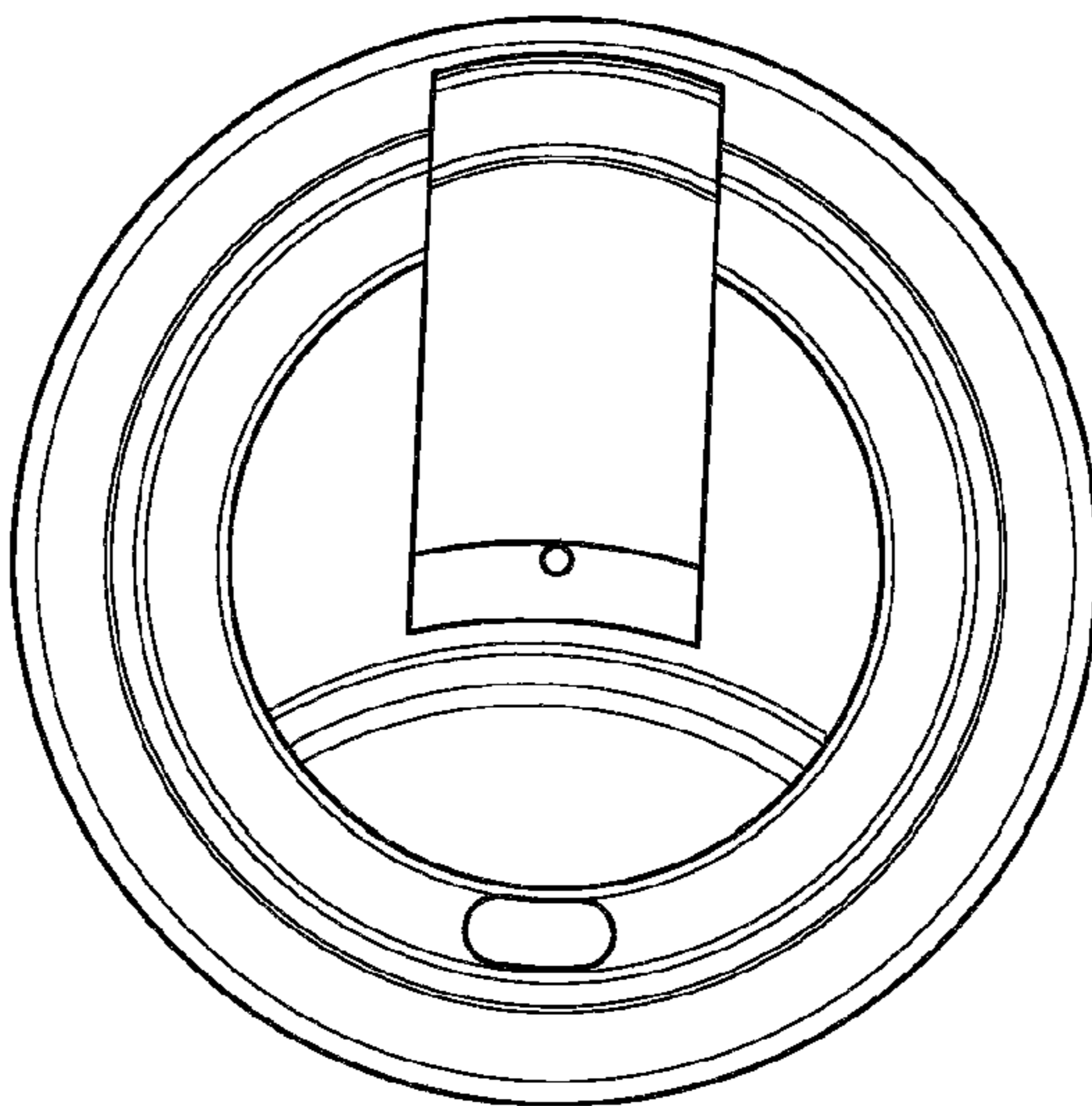


Fig. 6

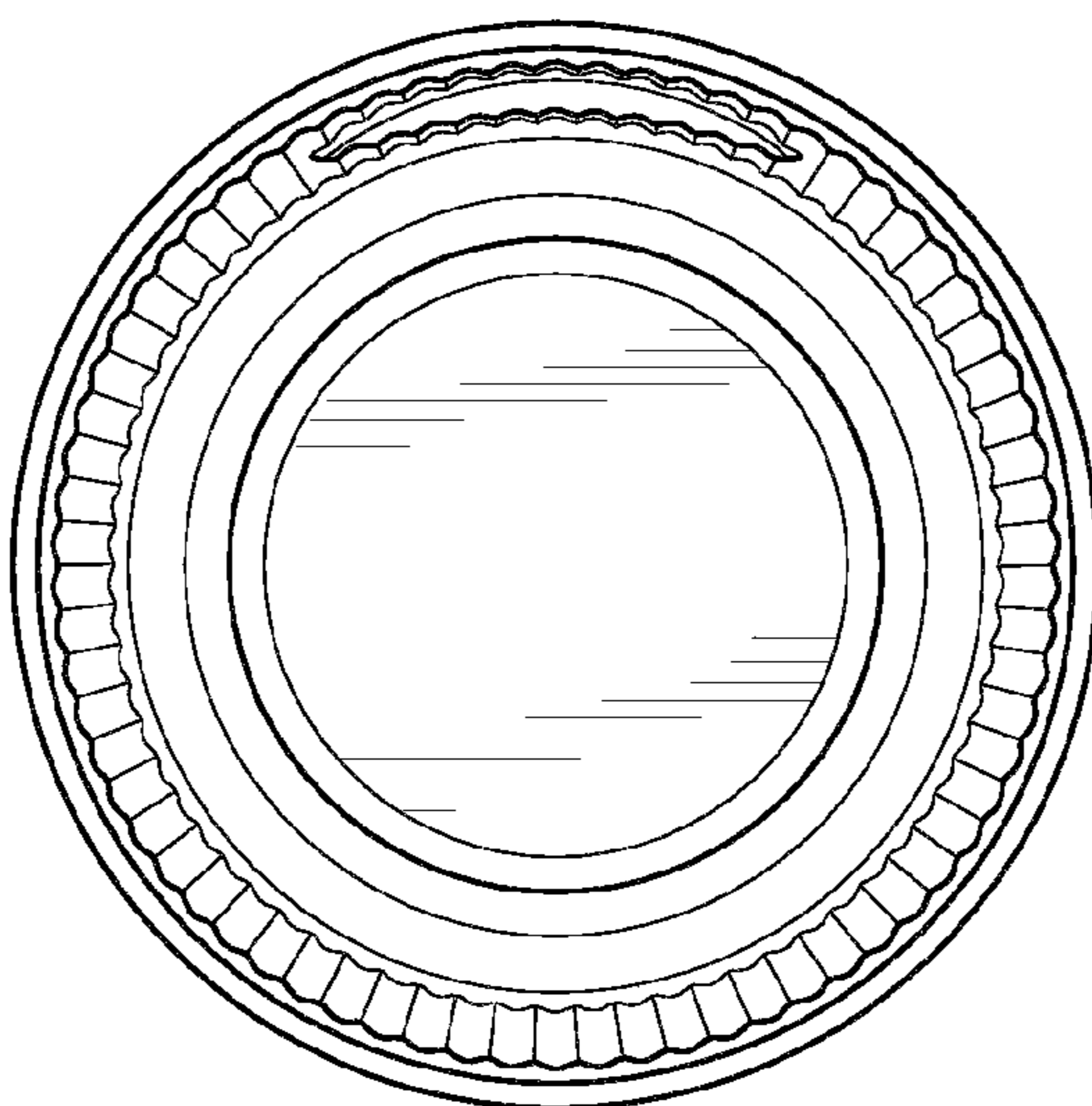


Fig. 7