



US00D621658S

(12) **United States Design Patent**
Rice

(10) **Patent No.:** **US D621,658 S**

(45) **Date of Patent:** **** Aug. 17, 2010**

(54) **CHILD'S CUP**

(76) Inventor: **Janel B. Rice**, 31505 Hees St., Livonia,
MI (US) 48150

(**) Term: **14 Years**

(21) Appl. No.: **29/343,053**

(22) Filed: **Sep. 4, 2009**

(51) **LOC (9) Cl.** **07-01**

(52) **U.S. Cl.** **D7/509; D7/514**

(58) **Field of Classification Search** D7/507,
D7/509, 523, 514, 510, 511; 220/592.16,
220/703, 662, 625; 215/378, 388; 206/217
See application file for complete search history.

(56) **References Cited**

U.S. PATENT DOCUMENTS

2,051,446	A *	8/1936	Ice	215/12.1
2,326,414	A	1/1940	Thompson		
3,152,743	A *	10/1964	Grossman	229/400
D207,961	S *	6/1967	Levis et al.	D7/514
3,428,214	A *	2/1969	De Leon	220/703
4,033,453	A *	7/1977	Giaimo	206/217
5,401,200	A	3/1995	Ellis		
D369,721	S *	5/1996	Shiao-Chiung et al.	D7/518
D376,071	S *	12/1996	Ballin	D7/523
D404,969	S *	2/1999	Krenzler	D7/507
D422,841	S *	4/2000	Milford et al.	D7/531
6,105,814	A	8/2000	Chen		

6,164,473	A	12/2000	Waldrip		
D477,500	S *	7/2003	Smith	D7/515
D489,571	S *	5/2004	Lee	D7/507
7,007,819	B2	3/2006	Pollack		
D550,038	S *	9/2007	Trombly	D7/523
D553,437	S *	10/2007	Bodum	D7/523
D577,253	S *	9/2008	Bodum	D7/400
D581,739	S *	12/2008	Bodum	D7/523
D605,468	S *	12/2009	Borrello et al.	D7/507

* cited by examiner

Primary Examiner—Marianne Pandozzi

(74) *Attorney, Agent, or Firm*—Dale J. Ream

(57) **CLAIM**

The ornamental design for a child's cup, as shown and described.

DESCRIPTION

FIG. 1 is a perspective view of a child's cup showing my new design;

FIG. 2 is a front view thereof;

FIG. 3 is a back view thereof;

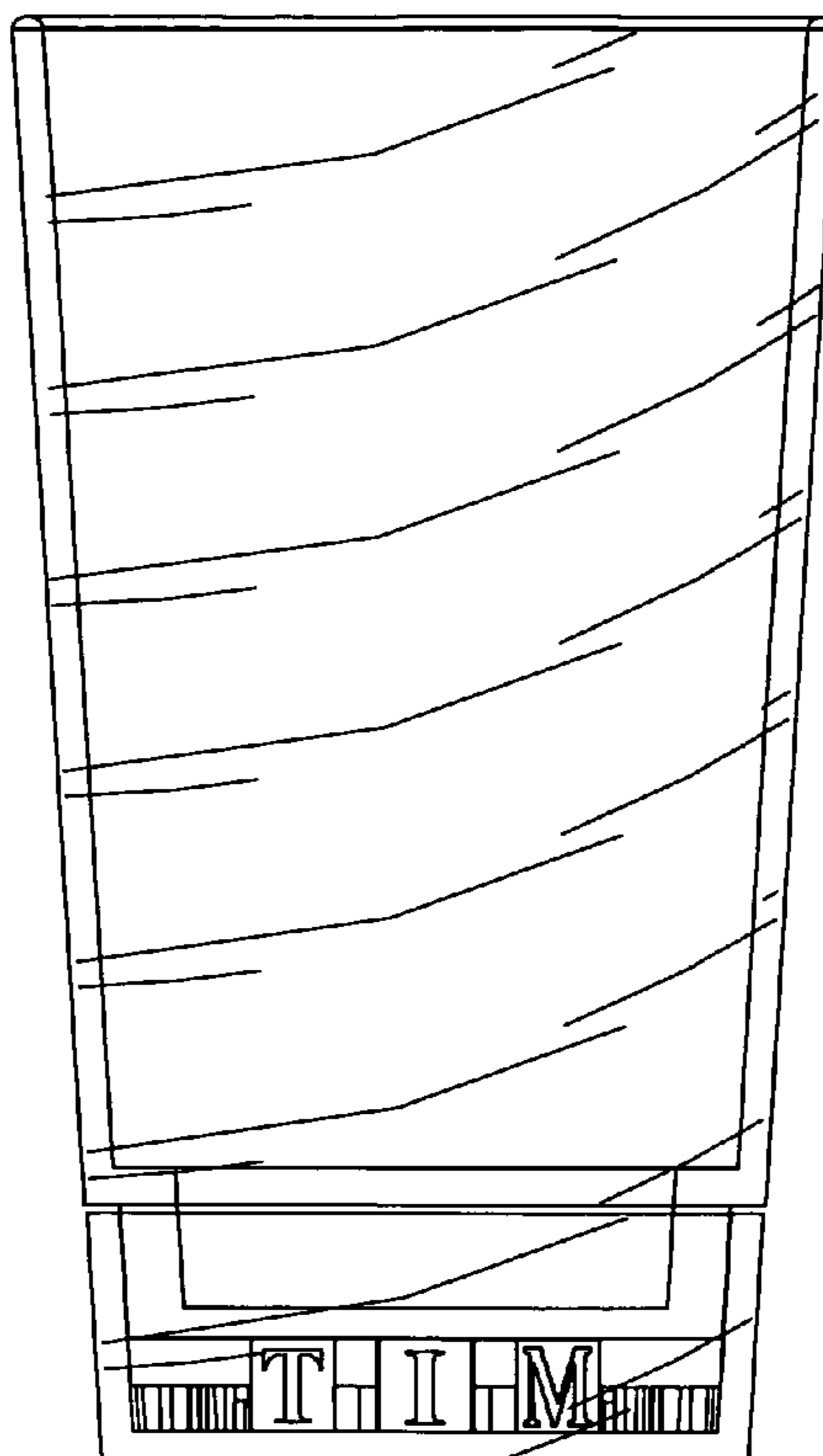
FIG. 4 is a right side view thereof;

FIG. 5 is a left side view thereof;

FIG. 6 is a top view thereof; and,

FIG. 7 is a bottom view thereof.

1 Claim, 6 Drawing Sheets



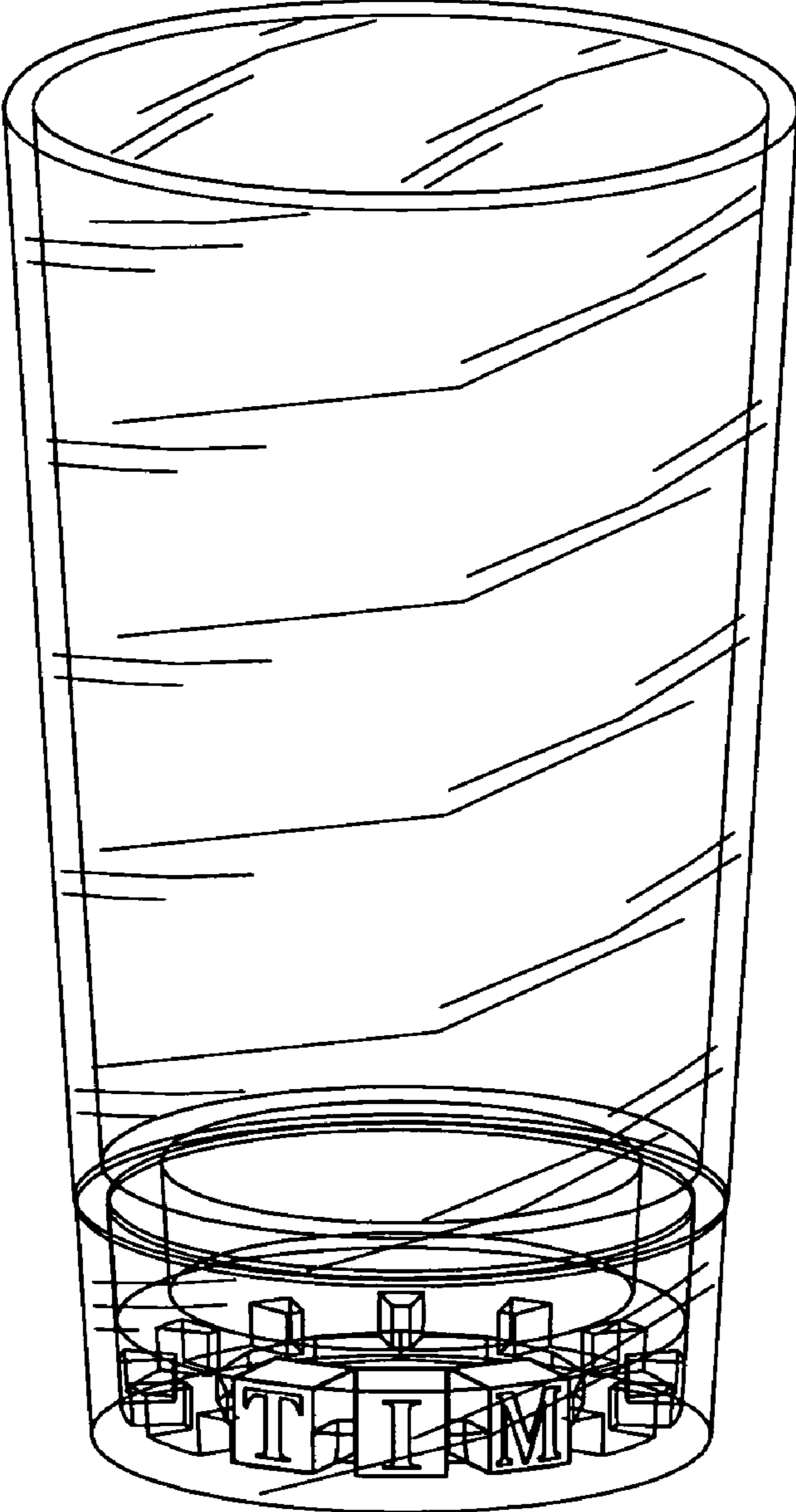


FIG. 1

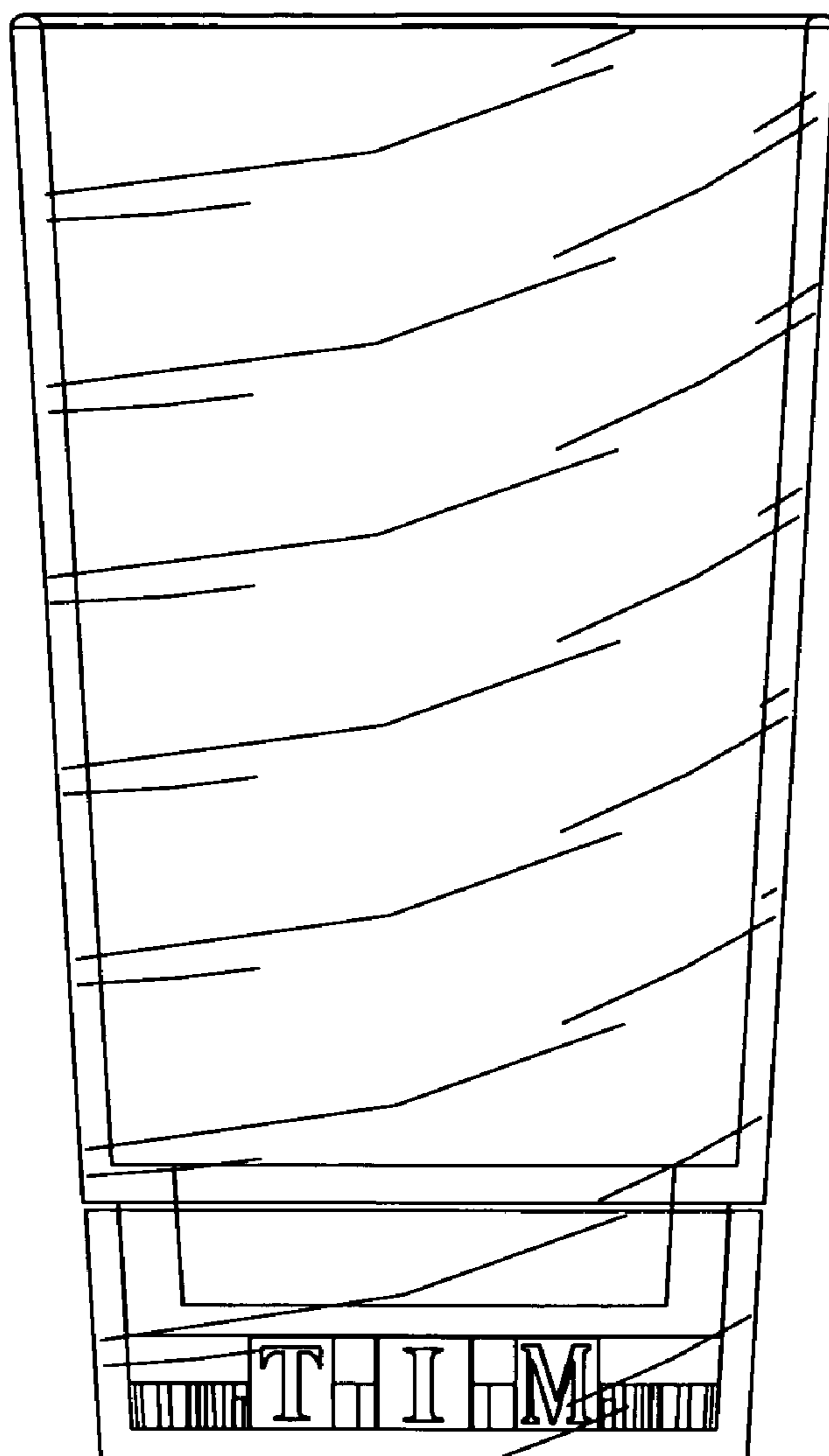


FIG. 2

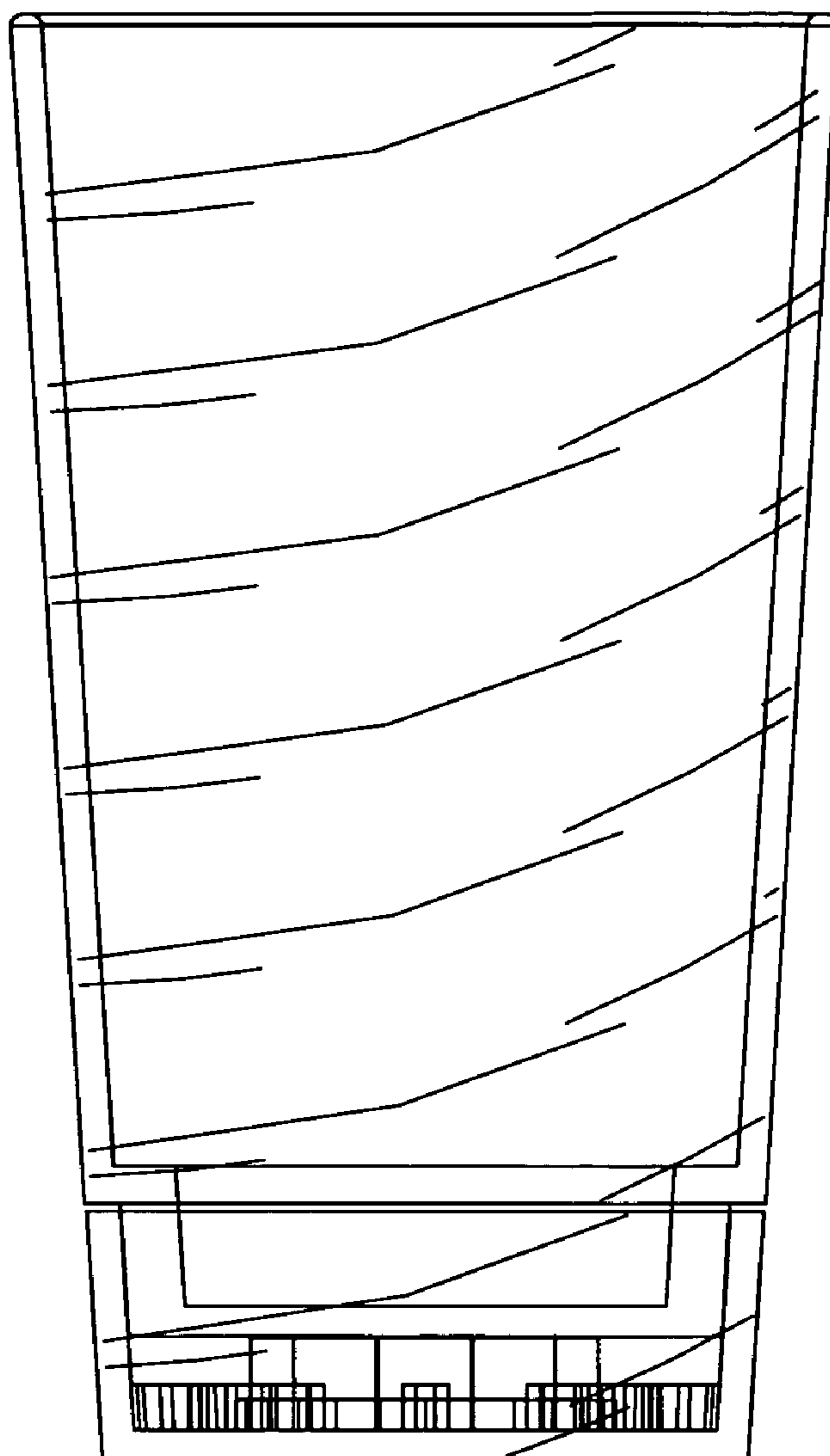


FIG. 3

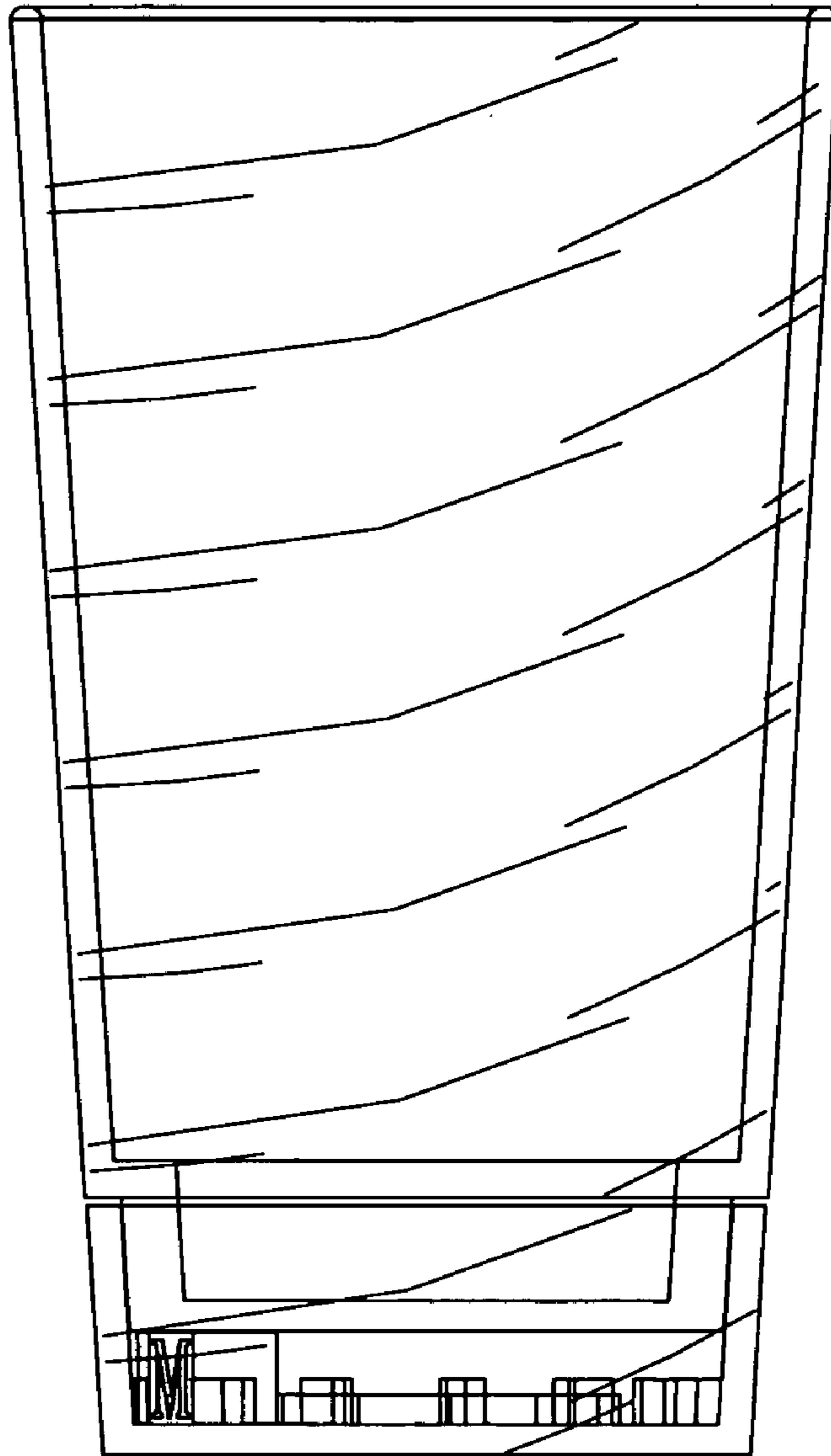


FIG. 4

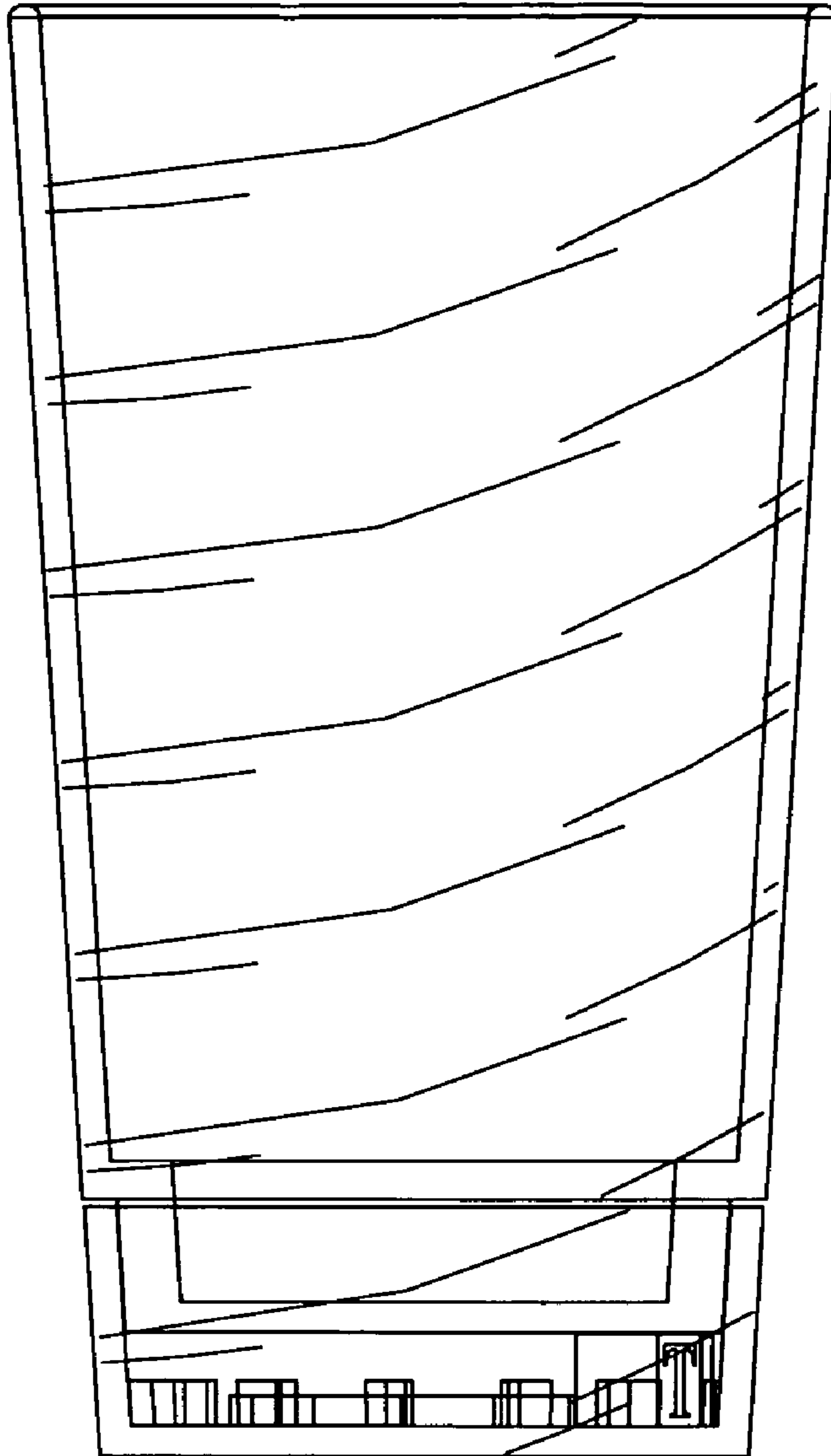


FIG. 5

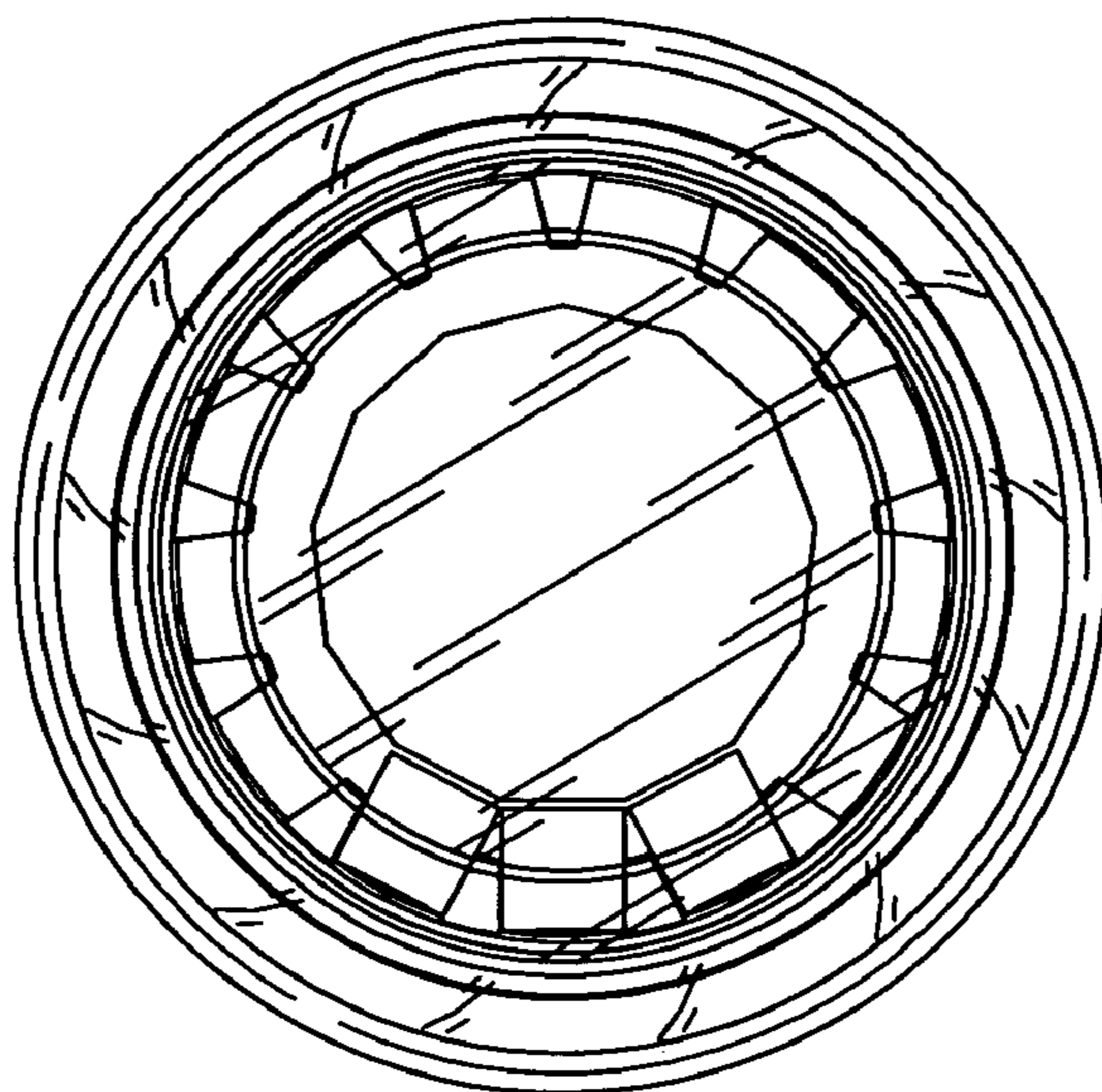


FIG. 6

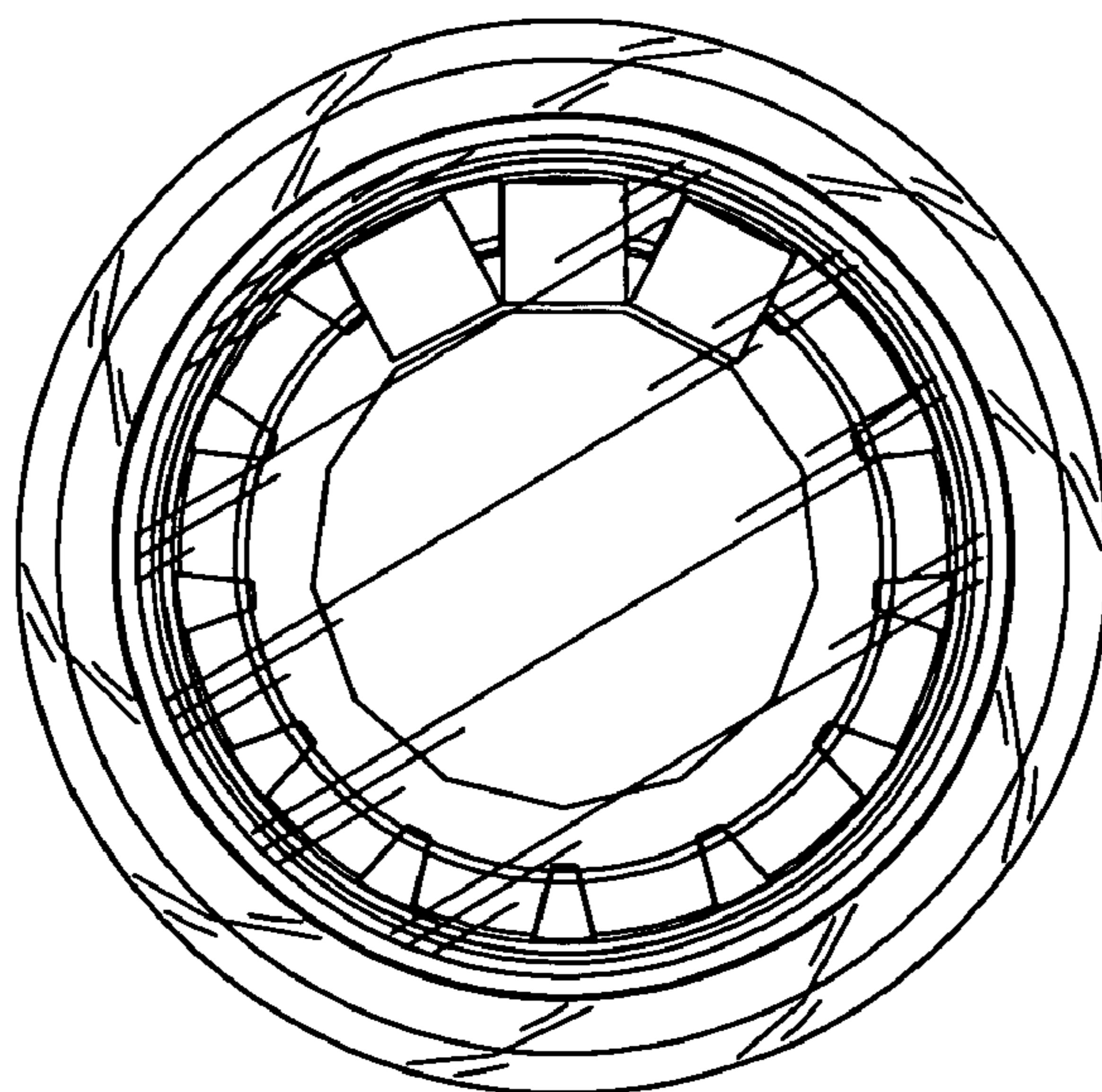


FIG. 7