



US00D621657S

(12) **United States Design Patent**  
**Quinn**

(10) **Patent No.:** **US D621,657 S**

(45) **Date of Patent:** **\*\* Aug. 17, 2010**

(54) **FOOTBALL SQUEEZE BOTTLE**

(76) Inventor: **Andrew James Quinn**, 12611 W. Ashby Dr., Peoria, AZ (US) 85383

(\*\*) Term: **14 Years**

(21) Appl. No.: **29/319,158**

(22) Filed: **Jun. 4, 2008**

(51) **LOC (9) Cl.** ..... **07-01**

(52) **U.S. Cl.** ..... **D7/507; D7/510; D7/511; D7/515; D7/901**

(58) **Field of Classification Search** ..... D7/507, D7/505, 606, 515, 901, 619.2, 510, 511, 514; D9/668; D3/202; D24/198, 197; 215/11 R; 220/703, 713, 630

See application file for complete search history.

(56) **References Cited**

**U.S. PATENT DOCUMENTS**

|               |        |                      |         |
|---------------|--------|----------------------|---------|
| D242,971 S *  | 1/1977 | Schlichter .....     | D7/515  |
| D249,438 S *  | 9/1978 | Meier et al. ....    | D7/511  |
| 4,164,284 A * | 8/1979 | Witt et al. ....     | 206/217 |
| D282,328 S *  | 1/1986 | Brescia et al. ....  | D6/570  |
| D288,362 S *  | 2/1987 | Simmons .....        | D24/198 |
| D319,008 S *  | 8/1991 | Leon .....           | D9/668  |
| D323,602 S *  | 2/1992 | Katz .....           | D7/316  |
| D361,244 S *  | 8/1995 | Thompson .....       | D7/515  |
| D370,154 S *  | 5/1996 | Gruneisen, III ..... | D7/515  |
| D371,934 S *  | 7/1996 | Cwirko .....         | D7/515  |
| 5,662,241 A * | 9/1997 | Sorensen .....       | 220/630 |
| D424,375 S *  | 5/2000 | D'Arrigo .....       | D7/510  |
| D424,876 S *  | 5/2000 | McPartland .....     | D7/510  |
| D425,757 S *  | 5/2000 | Printz et al. ....   | D7/510  |
| D477,132 S *  | 7/2003 | Bond et al. ....     | D3/202  |

|              |         |                 |          |
|--------------|---------|-----------------|----------|
| D478,480 S * | 8/2003  | Leon .....      | D7/624.1 |
| D511,212 S * | 11/2005 | Whalen .....    | D24/197  |
| D518,596 S * | 4/2006  | Angeletta ..... | D28/7    |
| D562,073 S * | 2/2008  | Yeh .....       | D7/515   |
| D574,664 S * | 8/2008  | Thompson .....  | D7/515   |
| D587,968 S * | 3/2009  | Campbell .....  | D7/510   |

\* cited by examiner

*Primary Examiner*—Marianne Pandozzi

(57) **CLAIM**

The ornamental design for a football squeeze bottle, as shown and described.

**DESCRIPTION**

FIG. 1 is an exploded perspective view of a football squeeze bottle, showing my new design;

FIG. 2 is sectional view taken along line 2—2 of FIG. 8;

FIG. 3 is a perspective view of the invention;

FIG. 4 is a front elevational view of the invention, straw and base are removed for ease of illustration;

FIG. 5 is a rear elevational view of the invention, straw and base are removed for ease of illustration;

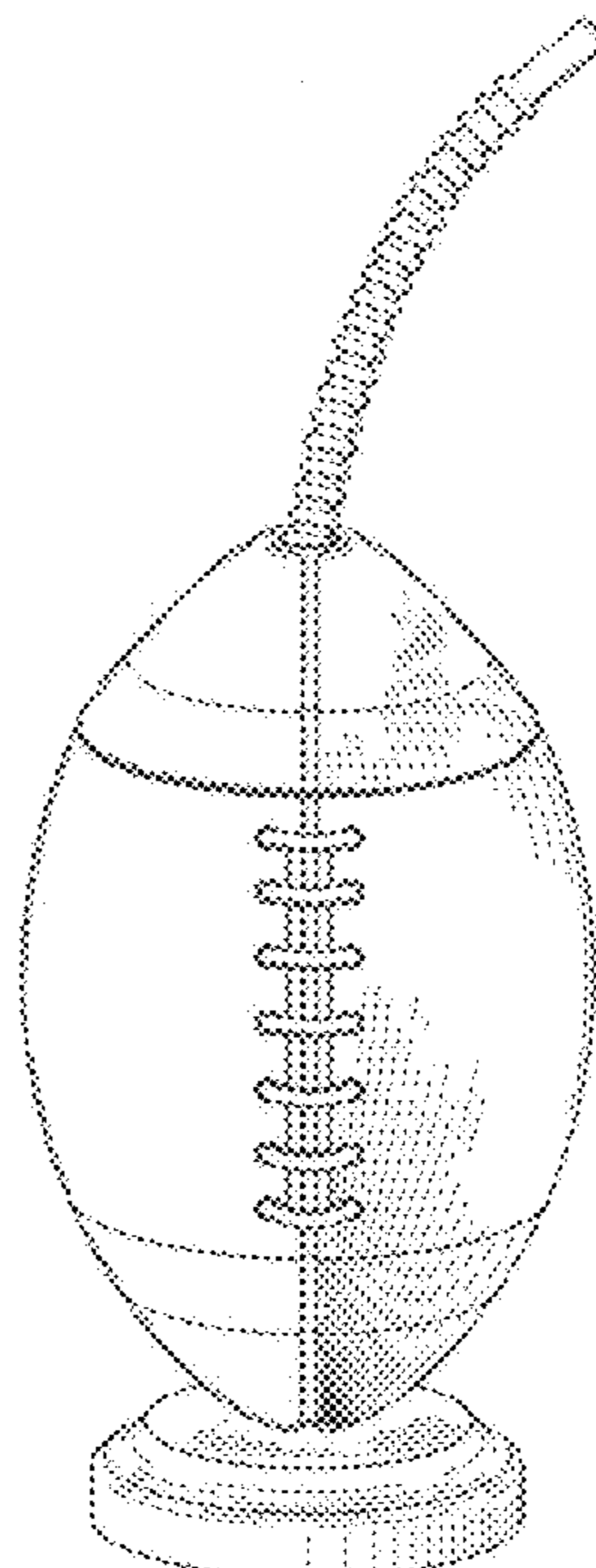
FIG. 6 is a left-side elevational view of the invention, straw and base are removed for ease of illustration;

FIG. 7 is a right-side elevational view of the invention, straw and base are removed for ease of illustration;

FIG. 8 is a top plan view of the invention including the straw, but not the base; and,

FIG. 9 is a bottom plan view of the invention, straw and base are removed for ease of illustration.

**1 Claim, 6 Drawing Sheets**



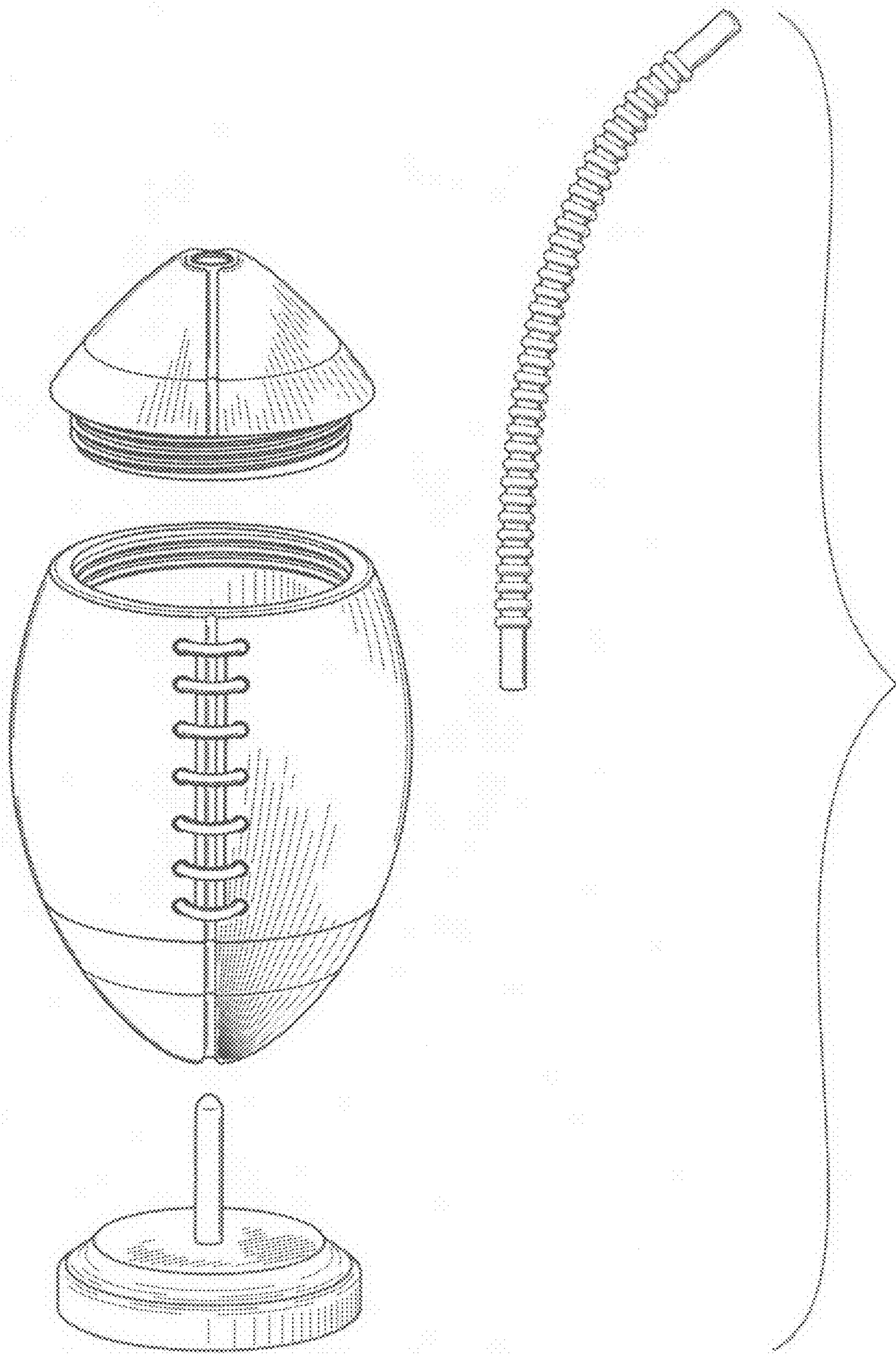


FIG. 1

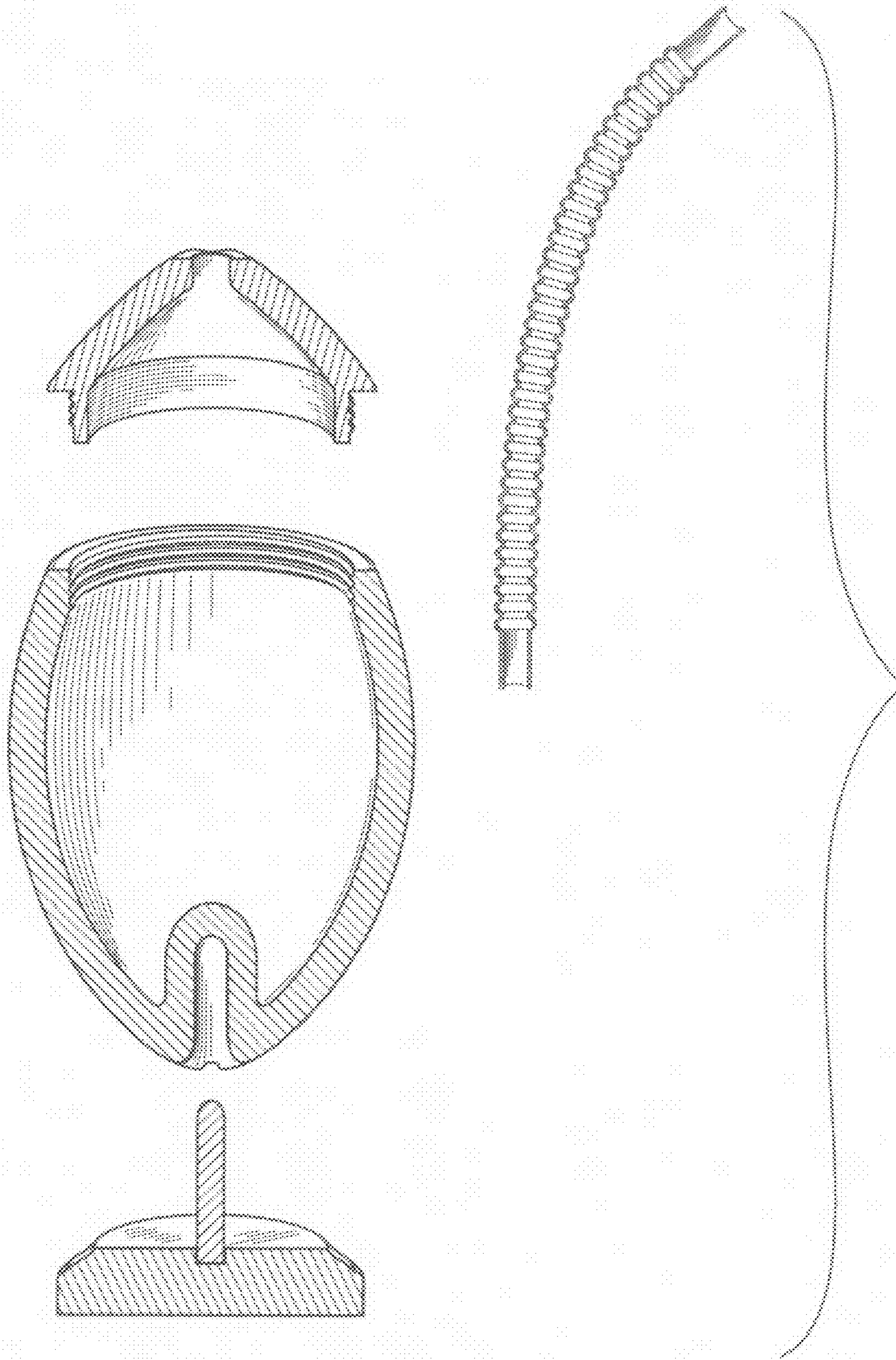


FIG. 2

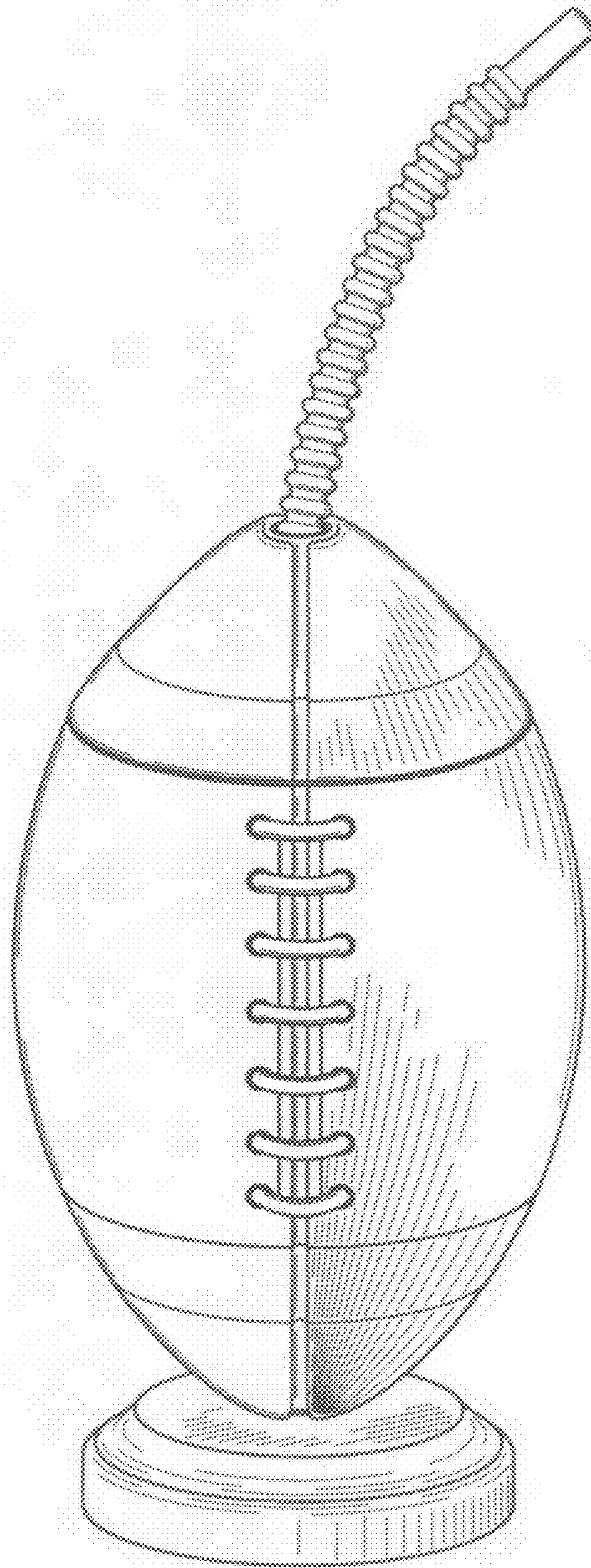


FIG. 3

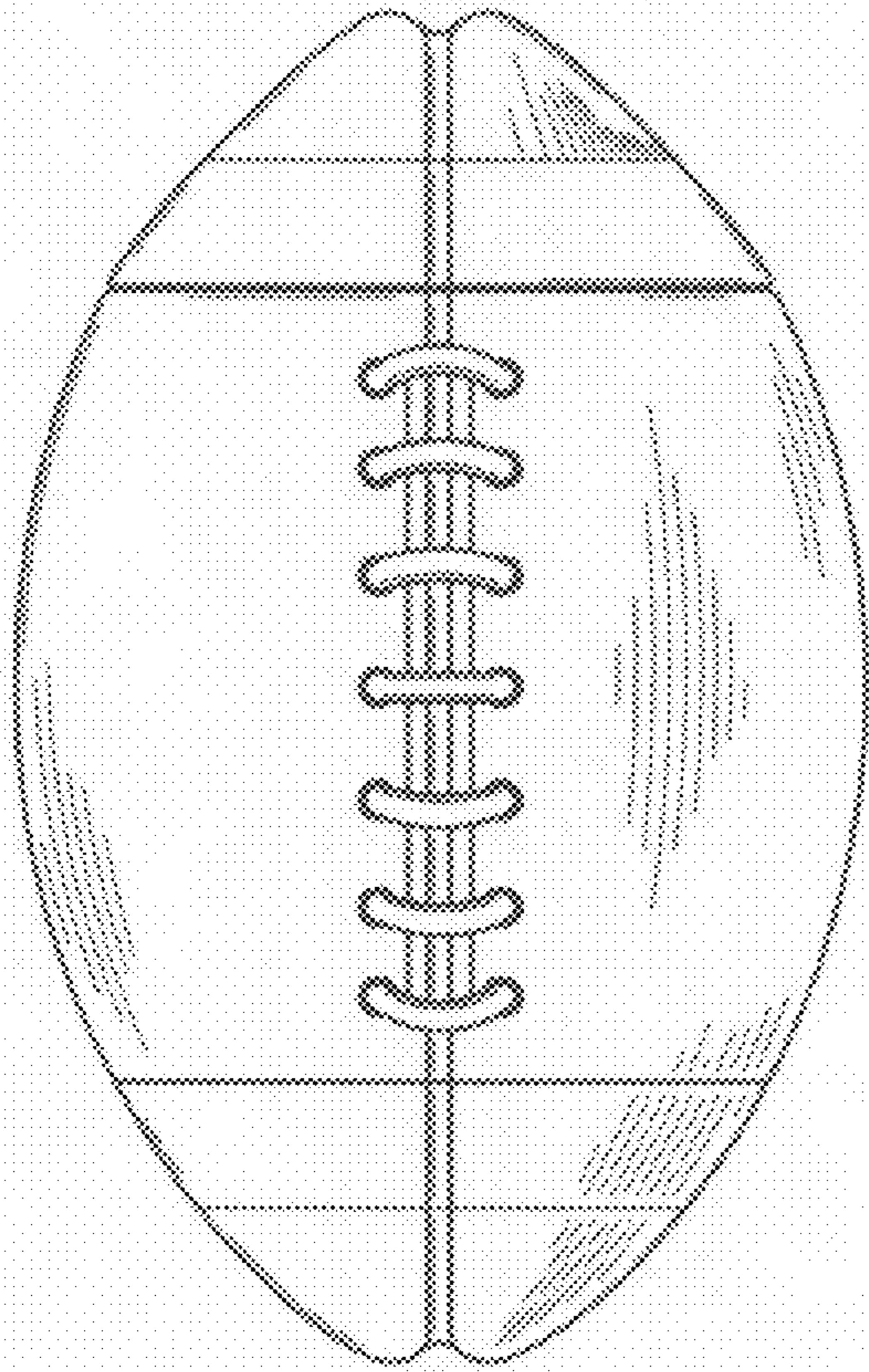


FIG. 4

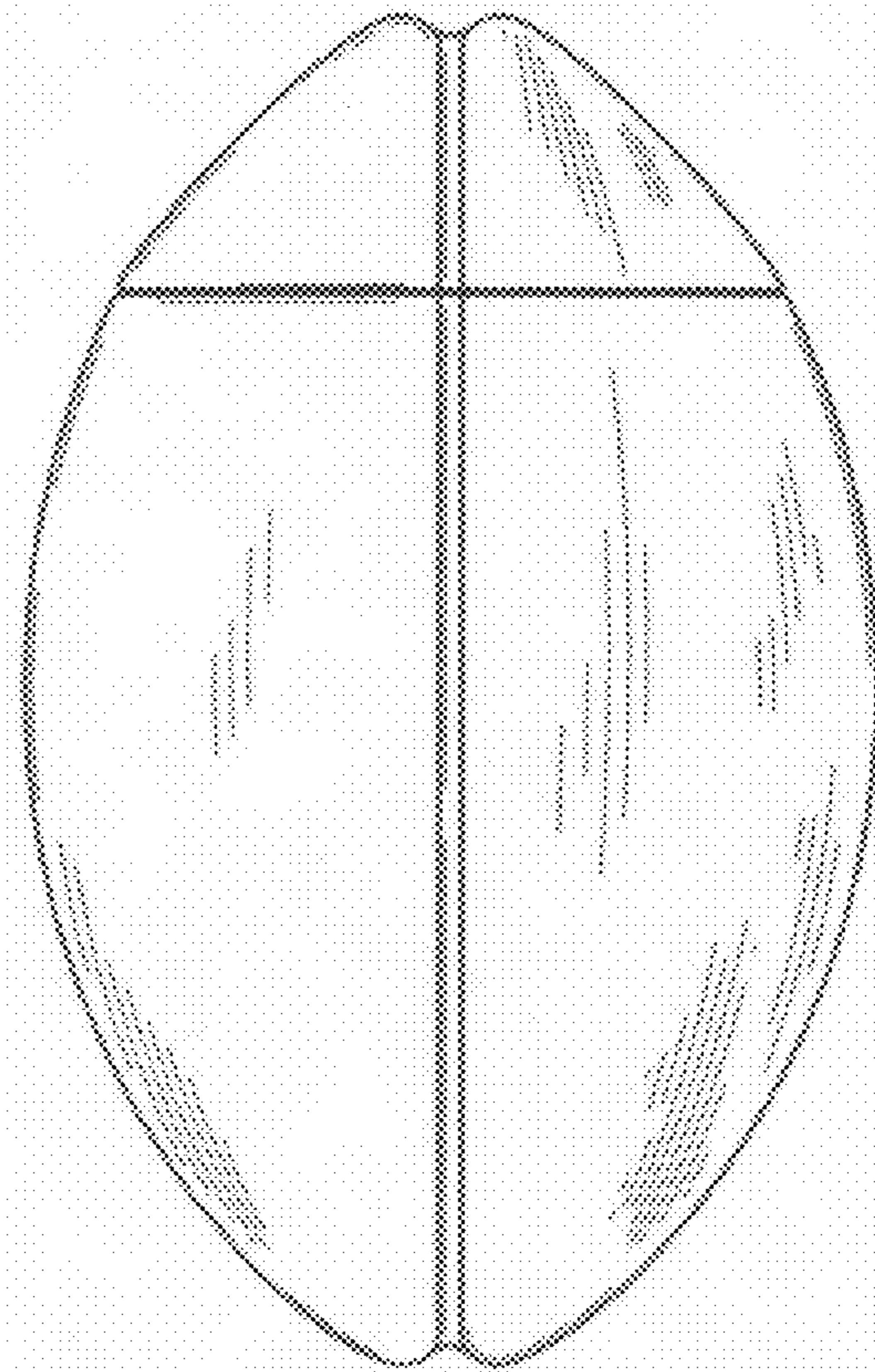


FIG. 5

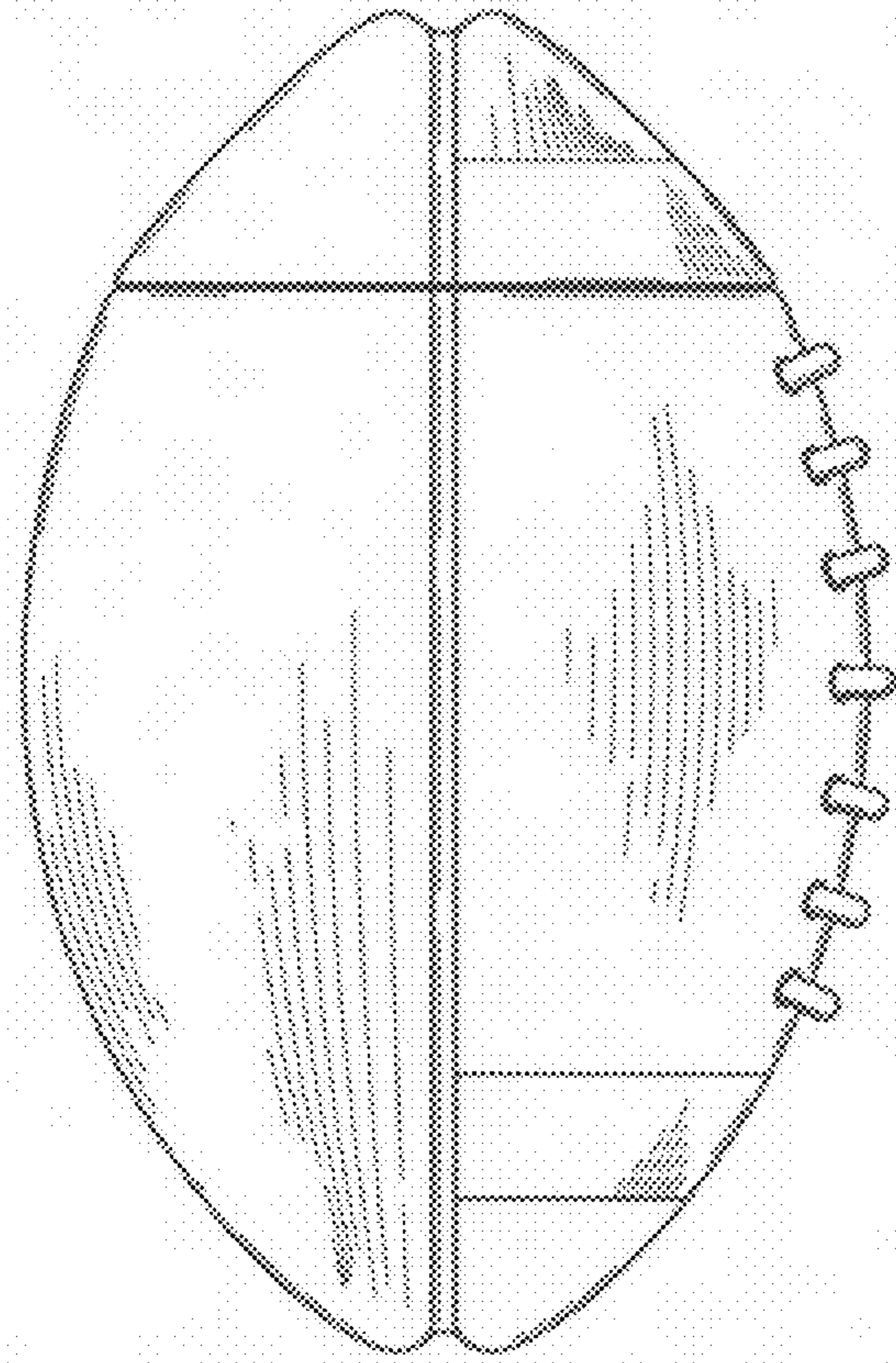


FIG. 6

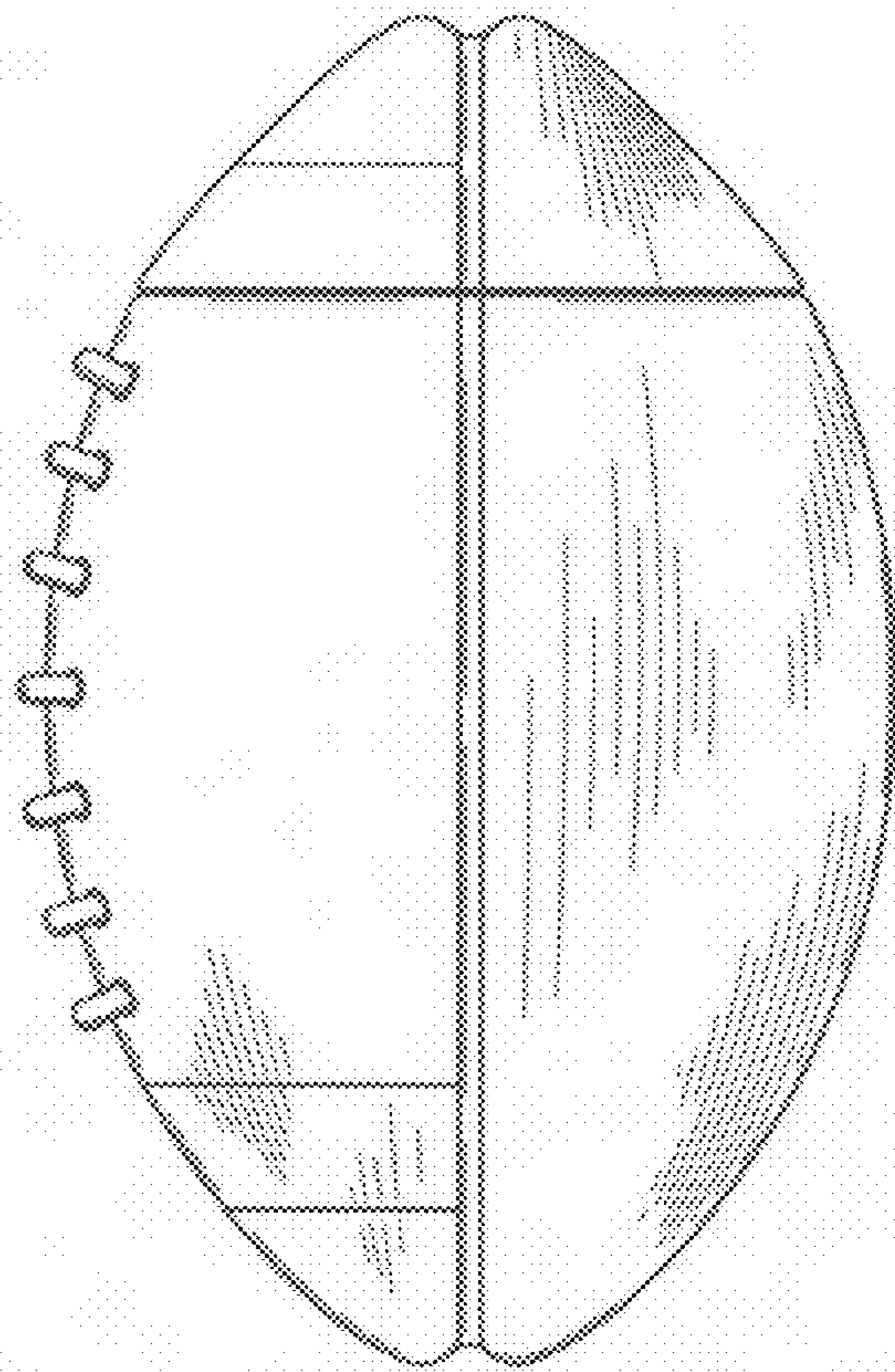


FIG. 7

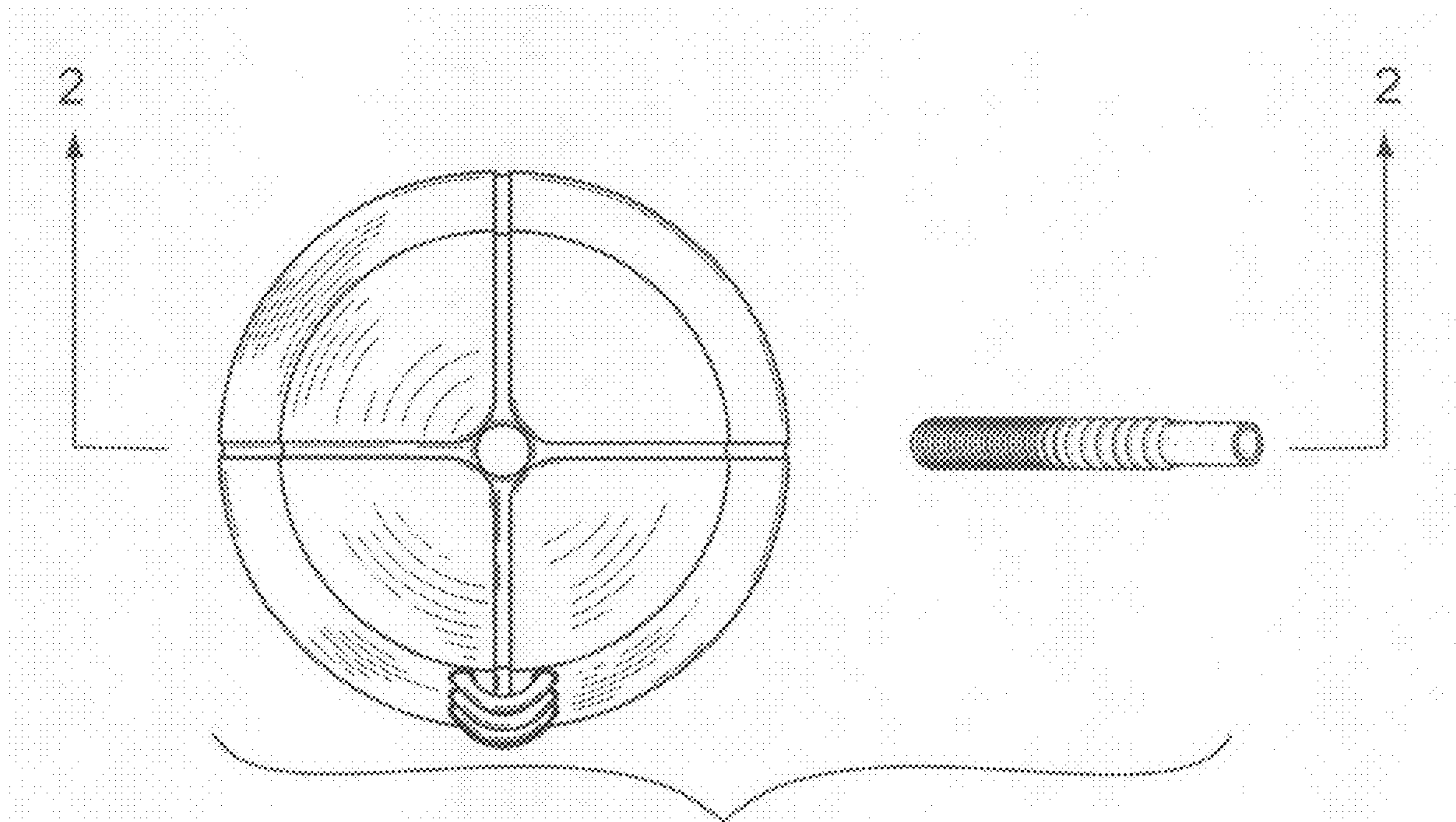


FIG. 8

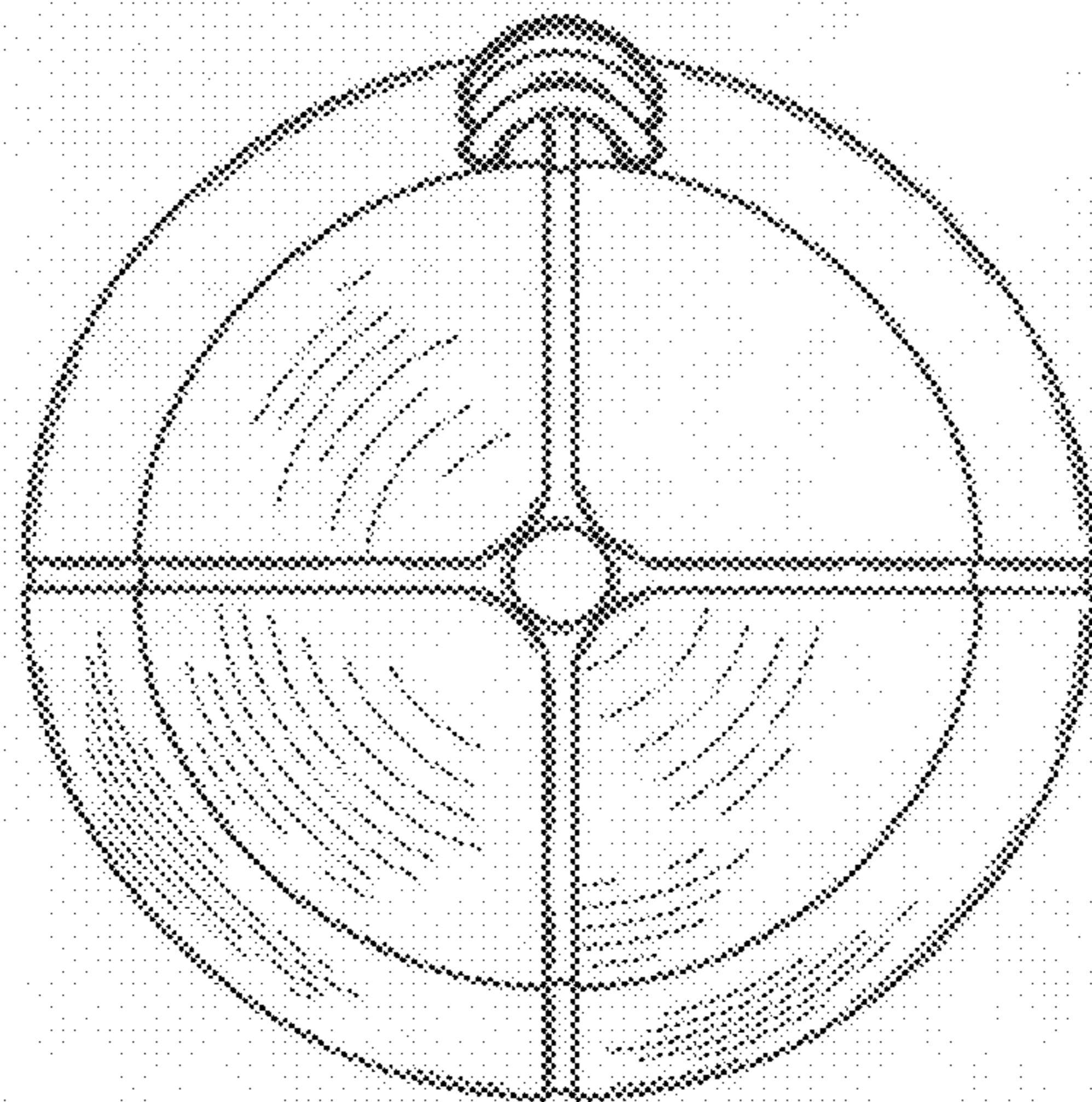


FIG. 9