

US00D621656S

(12) **United States Design Patent**
Ulanski et al.

(10) **Patent No.:** **US D621,656 S**

(45) **Date of Patent:** **** Aug. 17, 2010**

(54) **BLENDER CONTAINER**

(75) Inventors: **Robert M. Ulanski**, Broadview Heights, OH (US); **Richard D. Boozer**, Wakeman, OH (US); **Michael D. Anton**, Olmsted Township, OH (US)

(73) Assignee: **Vita-Mix Corporation**, Cleveland, OH (US)

(**) Term: **14 Years**

(21) Appl. No.: **29/316,792**

(22) Filed: **Nov. 2, 2009**

(51) **LOC (9) Cl.** **31-00**

(52) **U.S. Cl.** **D7/413; D7/378**

(58) **Field of Classification Search** D7/317–318, D7/356, 376–386, 412–415, 665; D23/209; 99/348, 509–511; 241/30–37.5, 101.01–101.2, 241/166–169.1, 274–278.2, 285.1–285.3, 241/291, 292.1; 366/64–67, 98, 142, 192, 366/197–211, 241–254, 279–292, 341–347; 476/58

See application file for complete search history.

(56) **References Cited**

U.S. PATENT DOCUMENTS

D180,096 S	4/1957	Moore	
3,064,949 A	11/1962	Dewenter	
D198,303 S	5/1964	Dewenter	
D204,117 S	3/1966	Di Sesa	
D207,692 S	5/1967	Dykes	
D227,535 S *	7/1973	Grimes D7/318
D228,698 S	10/1973	Barnard, Jr. et al.	
D232,297 S	8/1974	Mantelet	
D336,590 S	6/1993	Barnard	
D350,451 S *	9/1994	Dickson D7/384
D429,956 S	8/2000	Bohannon, Jr. et al.	
D435,192 S *	12/2000	Bohannon et al. D7/413
D452,296 S *	12/2001	Egnell et al. D23/209
D480,915 S *	10/2003	Kolar et al. D7/413
6,854,876 B2	2/2005	Dickson	
7,063,456 B2	6/2006	Miller et al.	

D528,363 S *	9/2006	Ulanski et al. D7/413
7,267,478 B2	9/2007	Miller et al.	
7,281,842 B2 *	10/2007	Dickson, Jr. 366/205
7,350,963 B2 *	4/2008	Williams et al. 366/205
D587,526 S *	3/2009	Barnard et al. D7/413
D588,406 S *	3/2009	Ulanski D7/413
2009/0238034 A1 *	9/2009	Ulanski 366/341

OTHER PUBLICATIONS

“How to Clean Blender” Instructions , Hamilton Beach Inc., 1 page.
“Bar and Restaurant Customer Catalog”, Oster Professional Products Dept., Milwaukee, Wisconsin, 6 pages (1986).
“Margarita Madness”, Waring Commercial, New Hartford, CT, 2 pages.

(Continued)

Primary Examiner—Caron Veynar
Assistant Examiner—Ricky Pham
(74) *Attorney, Agent, or Firm*—Renner, Kenner, Greive, Bobak, Taylor & Weber

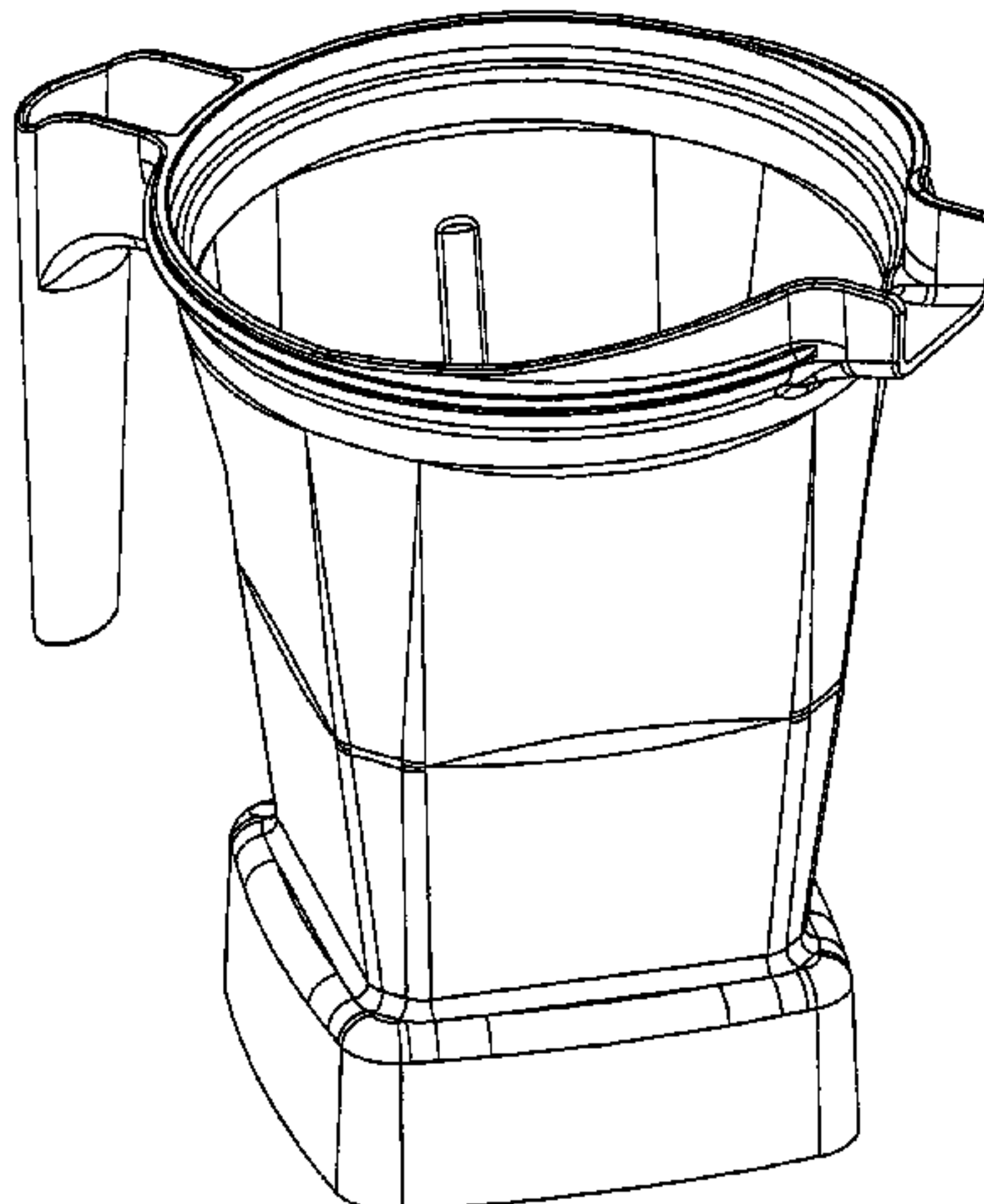
(57) **CLAIM**

The ornamental design for a blender container, as shown and described.

DESCRIPTION

FIG. 1 is a top, front, right side perspective view of a blender container showing our new design;
FIG. 2 is a front elevational view thereof;
FIG. 3 is a rear elevational view thereof;
FIG. 4 is a left side elevational view thereof, the right side being a mirror image of FIG. 4;
FIG. 5 is a top plan view thereof; and,
FIG. 6 is a bottom plan view thereof.

1 Claim, 5 Drawing Sheets



OTHER PUBLICATIONS

“Hamilton Beach”, Hamilton Beach Commercial, Glen Allen, VA, 5 pages (Aug. 1998).

“Model 990 1 Gallon Blender”, Hamilton Beach Commercial, Washington, NC, 2 pages (Nov. 1992).

“K-Tec’s Champ, The ‘Sound’ Solution!”, K-Tec, Lindon, UT, 2 pages.

“vita-prep™ The Professional Chef’s Power Tool”, Vita-Mix Corporation, Cleveland, OH, 2 pages (May 1998).

“Vita-Pro ®—The Difference is Clear”, Vita-Mix Corporation, Cleveland, OH, 2 pages (Jul. 2001).

“barboss The Professional Bartender’s Blender”, Vita-Mix Corporation, Cleveland, OH, 4 pages (Nov. 2002).

“Vita-Mix ® Two-Speed Drink Machine™ The World’s Best Blender Does It All”, Vita-Mix Corporation, Cleveland, OH, 1 page.

“What more can the world’s best blender offer? More quiet.”, Vita-Mix Corporation, Cleveland, OH, 4 pages (Apr. 1998).

“Get Trim & Fit Fast”, Vita-Mix Corporation, Cleveland, OH, 7 pages (Jan. 1999).

Brochure “The World’s Best Blender Is . . .”, K-Tec, Lindon, Utah, 4 pages.

“Frozen Drinks As Simple As 1-2-3”, Vita-Mix Corporation, Cleveland, Ohio, 2 pages (Oct. 2002).

“Bar Blendor/Mixer Supplies”, Waring Commercial, New Hartford, Connecticut, 1 page.

“RB2 2 Quart Commercial Blender”, Robot-Coupe, 1 page.

“Vita-Mix Presents”, Vita-Mix Corporation, Cleveland, Ohio, 1 page (1991).

* cited by examiner

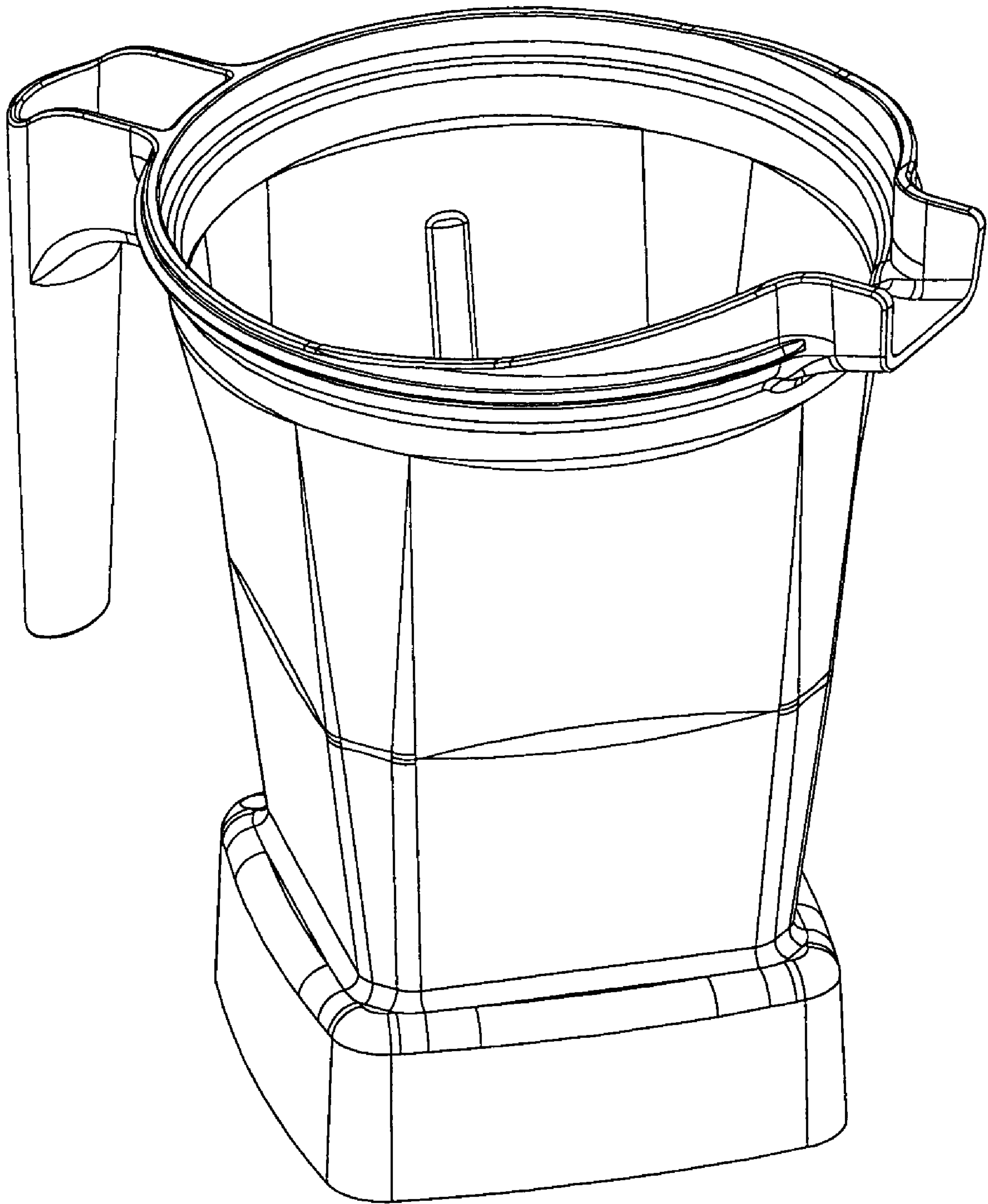


FIG-1

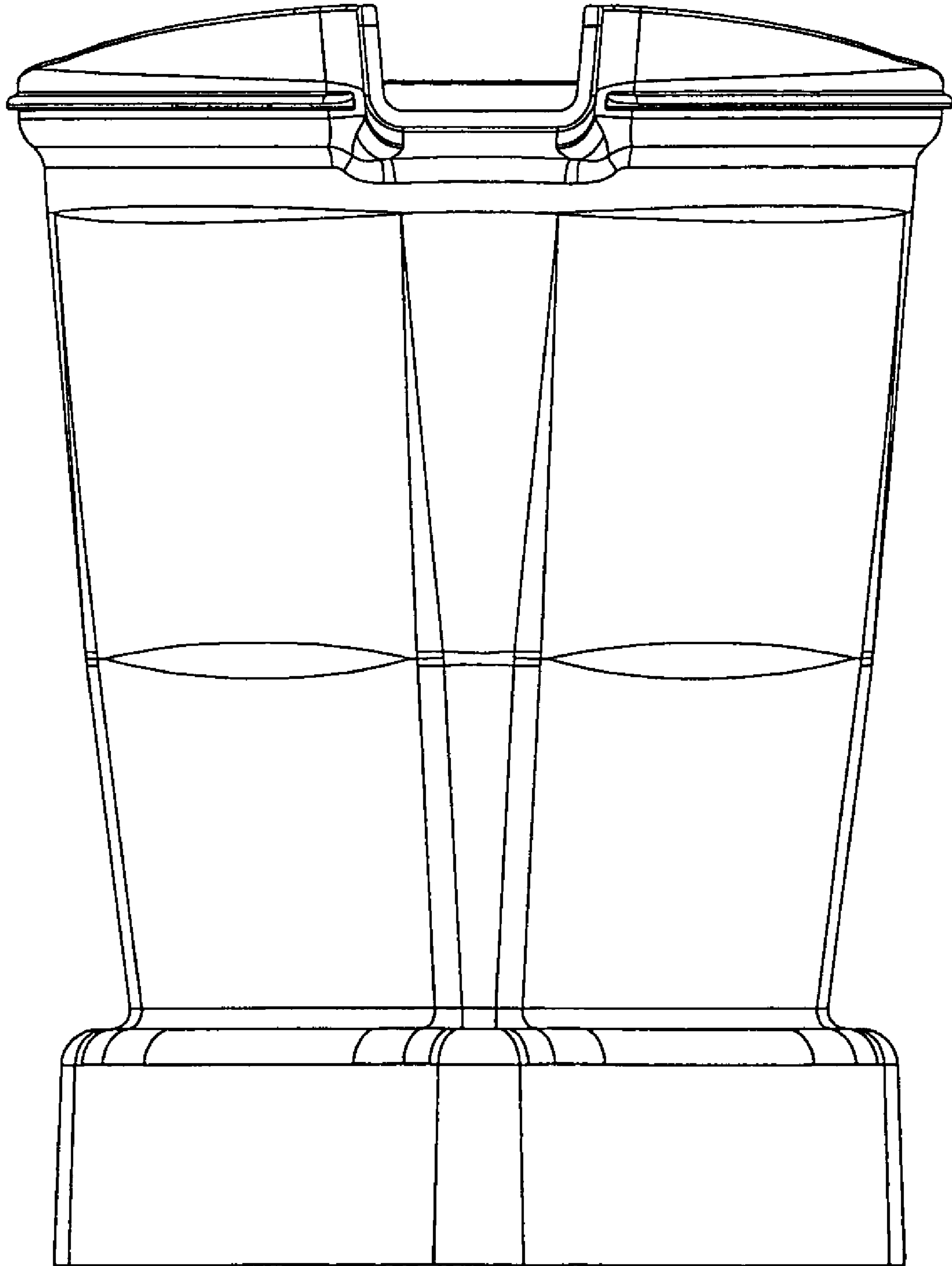


FIG-2

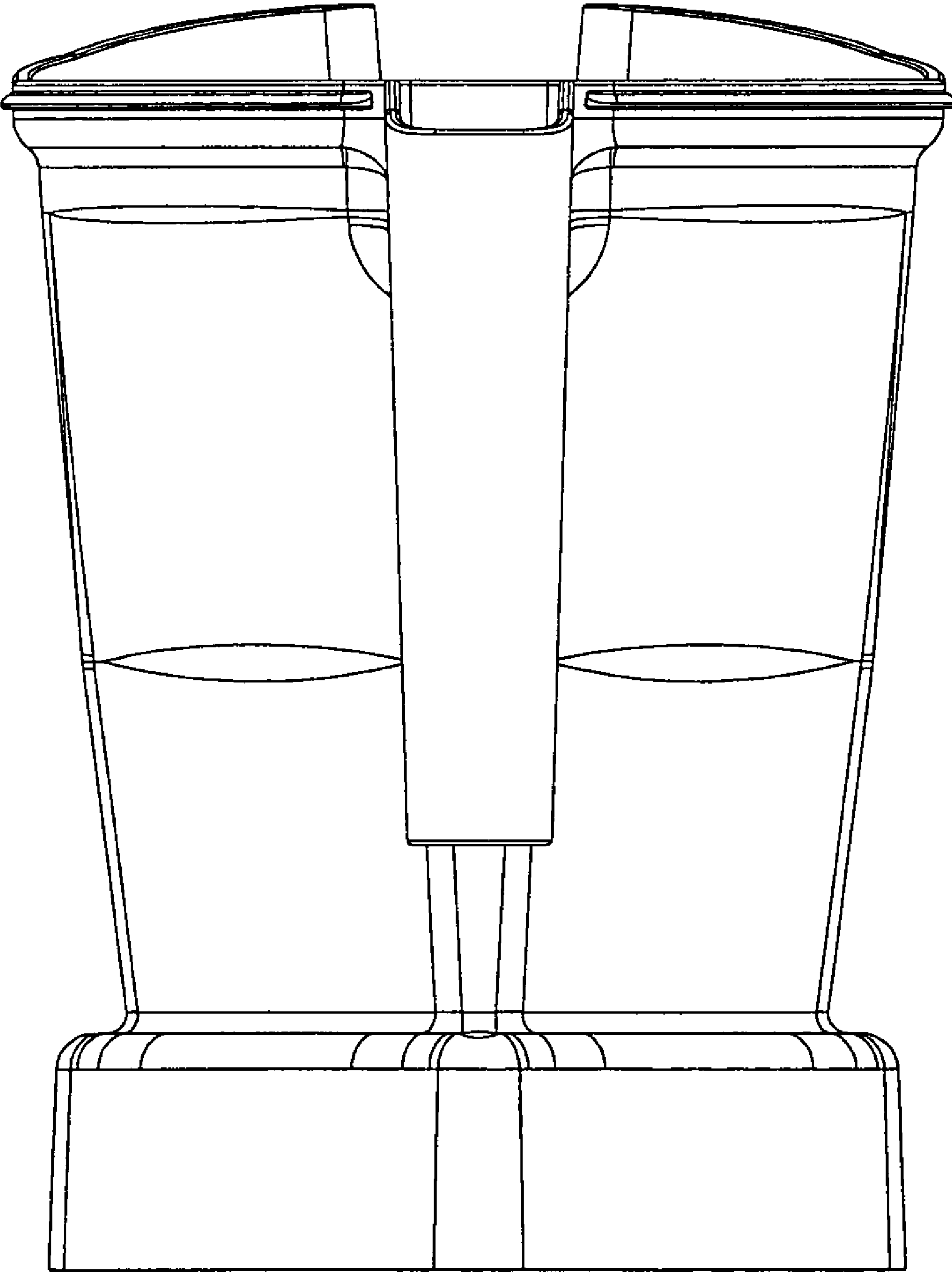


FIG-3

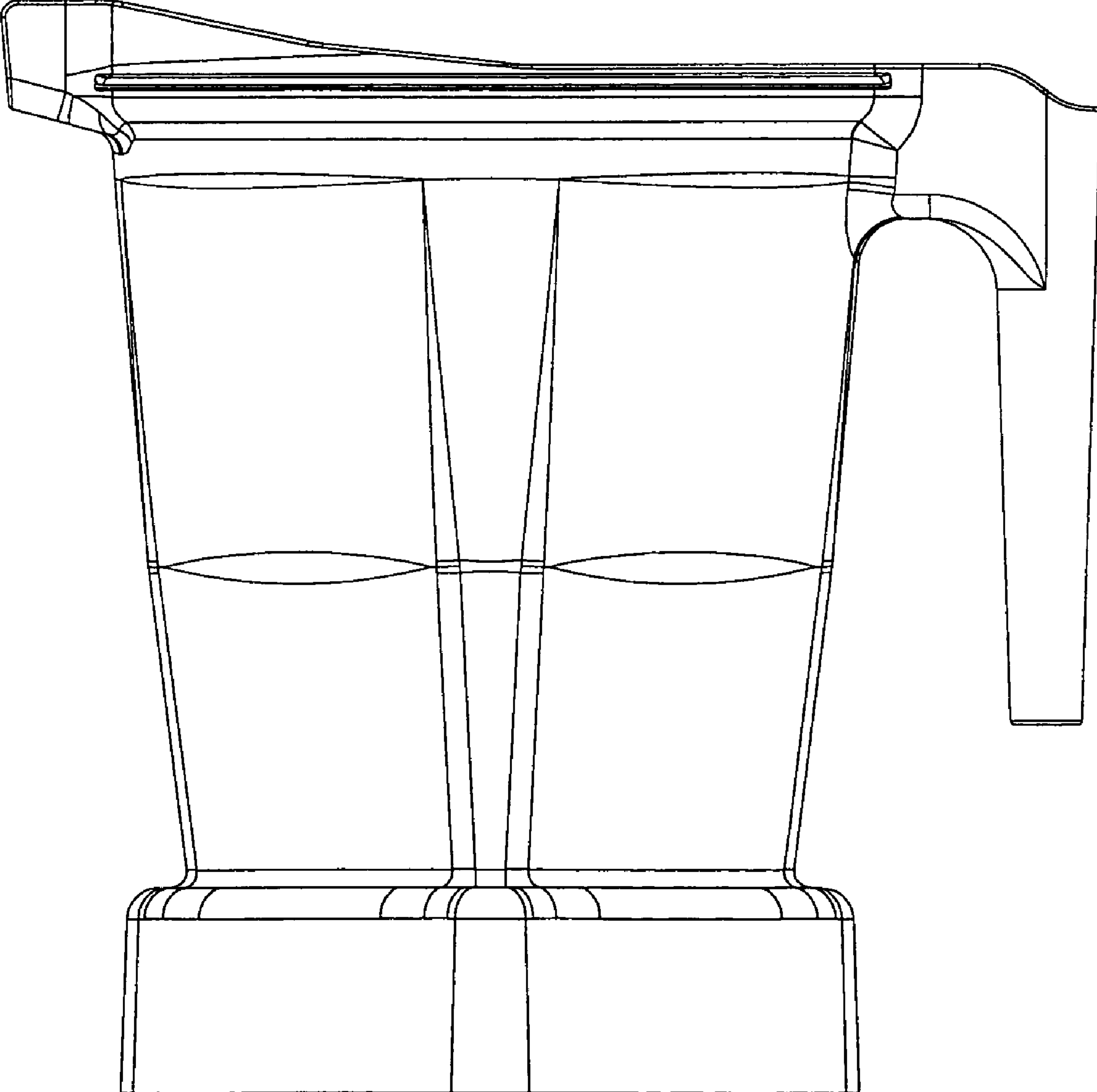


FIG-4

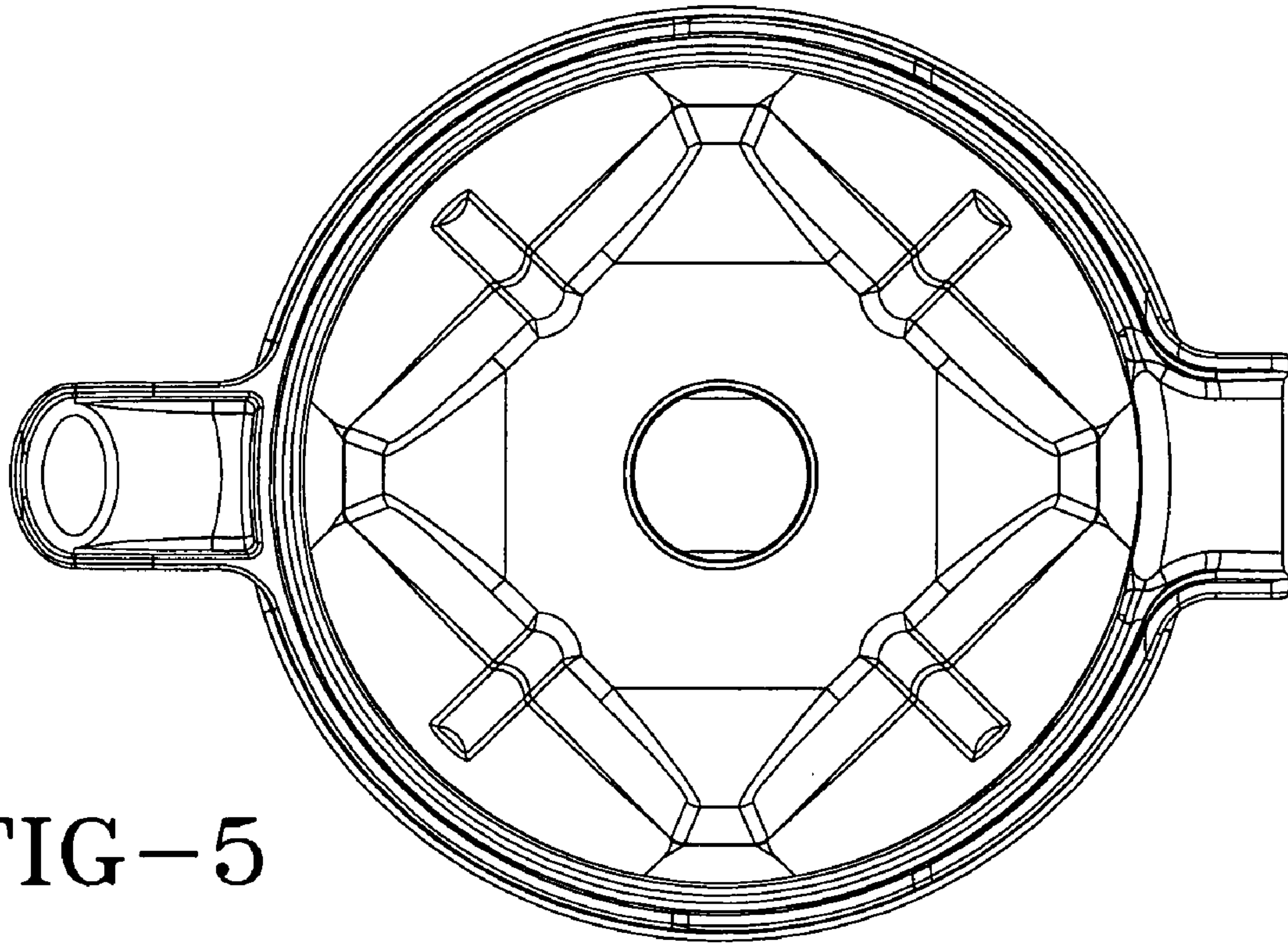


FIG-5

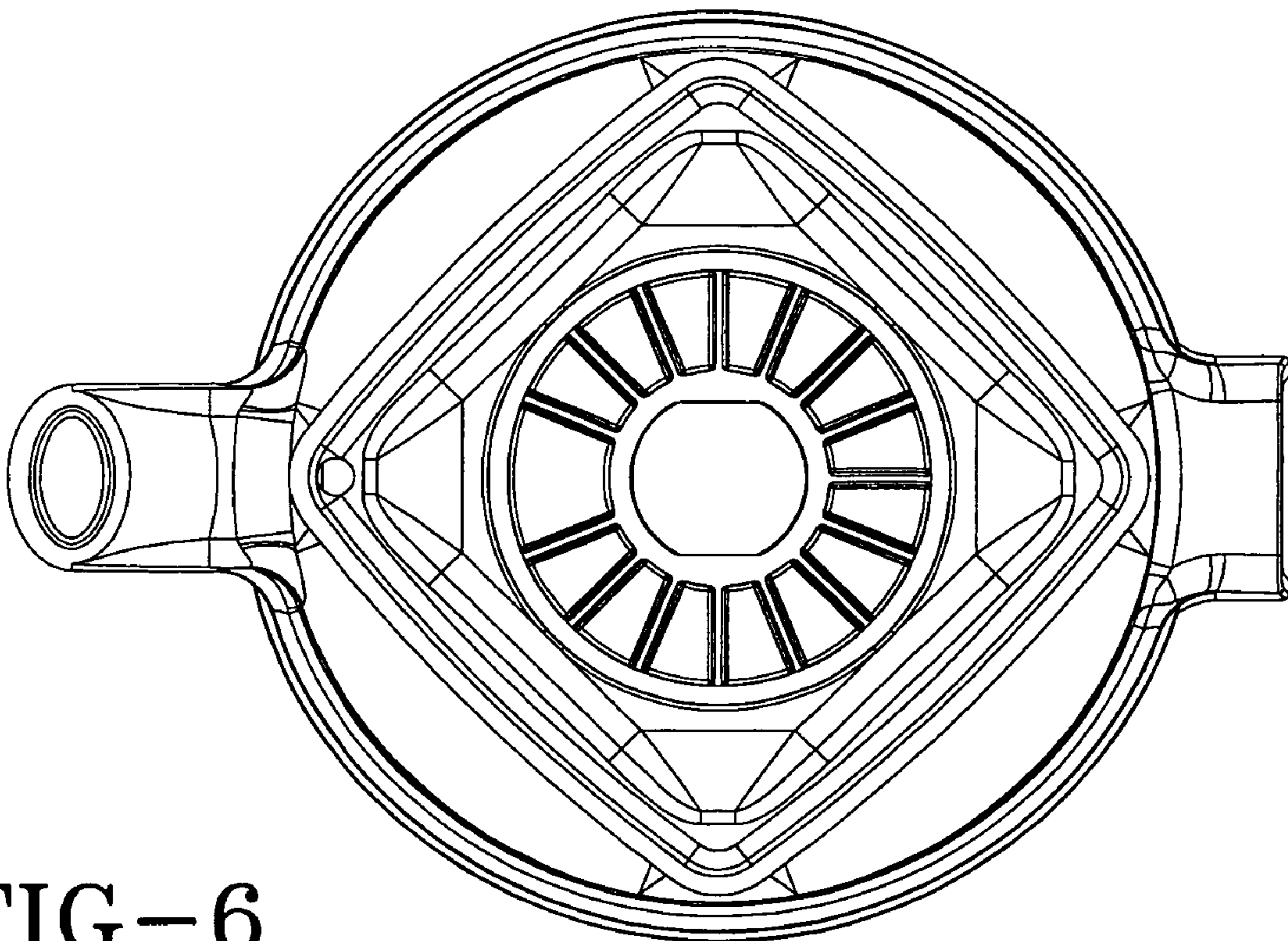


FIG-6