



US00D621652S

(12) **United States Design Patent**
Dodane

(10) **Patent No.:** **US D621,652 S**
(45) **Date of Patent:** **** Aug. 17, 2010**

(54) **SAUCEPAN AND LID**

(75) Inventor: **Paul Dodane**, Fesches le Chatel (FR)

(73) Assignee: **CRISTEL (Société par Actions Simplifiée du Droit Français)**, Fesches le Chatel (FR)

(**) Term: **14 Years**

(21) Appl. No.: **29/359,032**

(22) Filed: **Apr. 5, 2010**

(30) **Foreign Application Priority Data**

Oct. 16, 2009 (EM) 001171466-0001

(51) **LOC (9) Cl.** **07-02**

(52) **U.S. Cl.** **D7/354**

(58) **Field of Classification Search** D7/323,
D7/330-331, 337, 339, 347, 350-367, 378-384,
D7/391-395, 402, 542-545, 560; 99/324-325,
99/329 R, 330-339, 372, 375, 400, 412-413,
99/425; 219/432-433, 438-441, 620-622,
219/725-730; 220/203.1, 203.07, 203.09,
220/298, 303, 316, 356.1, 377, 573.1-574,
220/769, 912; 426/438, 441

See application file for complete search history.

(56) **References Cited**

U.S. PATENT DOCUMENTS

D426,107 S * 6/2000 Cheng D7/393

D450,217 S * 11/2001 Rae D7/393
D477,967 S * 8/2003 Burton et al. D7/395
D482,233 S * 11/2003 Rae D7/393
6,848,592 B2 * 2/2005 Logiudice 220/377
D559,032 S * 1/2008 Kellermann et al. D7/354
D579,714 S * 11/2008 Cheng et al. D7/360
D581,721 S * 12/2008 Rae D7/360
D587,519 S * 3/2009 Cheng et al. D7/360
D600,497 S * 9/2009 Ek D7/361

* cited by examiner

Primary Examiner—Caron Veynar

Assistant Examiner—Ricky Pham

(74) *Attorney, Agent, or Firm*—Egbert Law Offices PLLC

(57) **CLAIM**

The ornamental design for the saucepan and lid, as shown and described.

DESCRIPTION

FIG. 1 is an upper perspective view of the saucepan and lid showing my new design.

FIG. 2 is a side elevation view thereof;

FIG. 3 is an opposite side elevation view thereof;

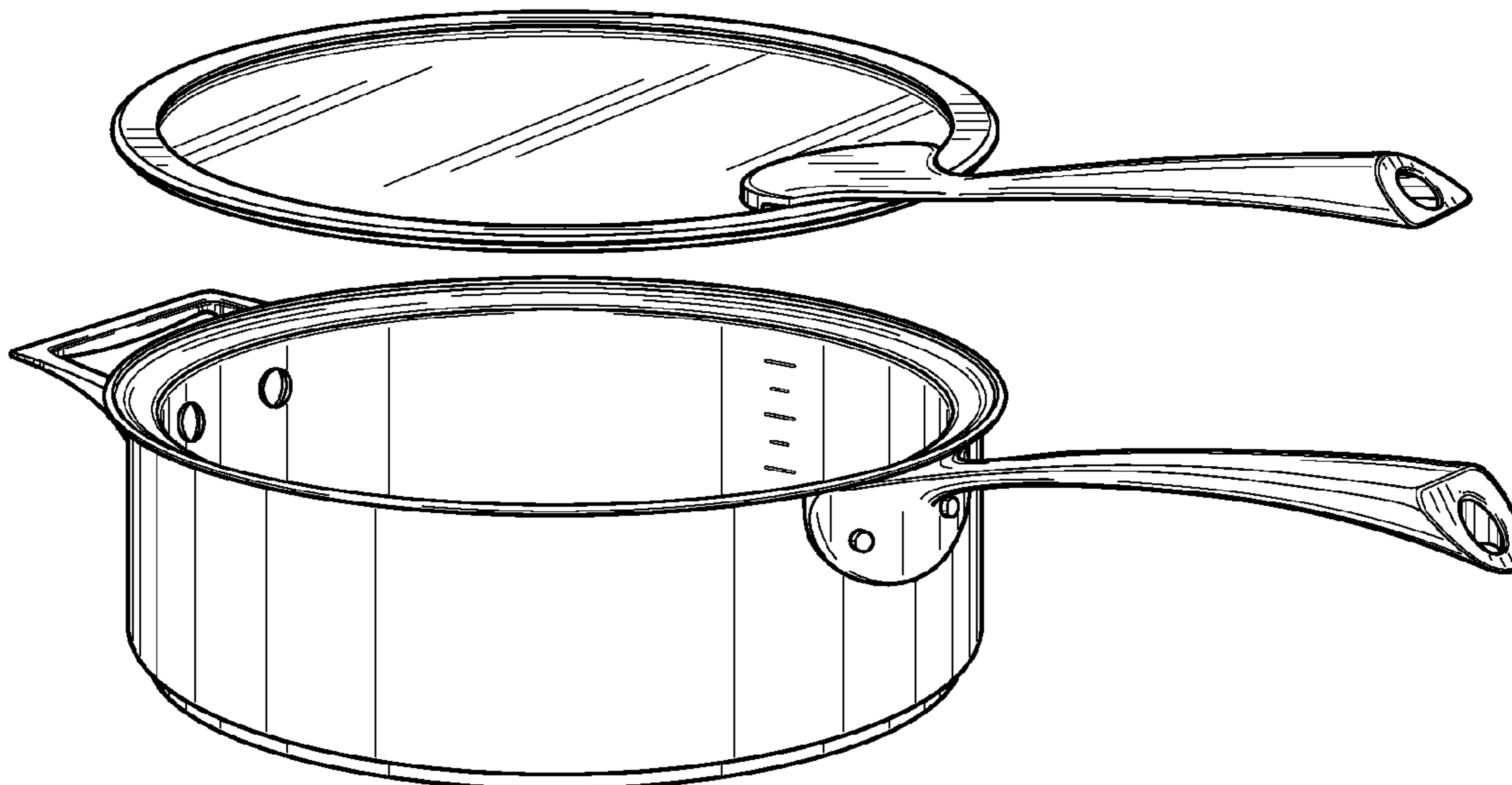
FIG. 4 is a front view thereof;

FIG. 5 is a back view thereof;

FIG. 6 is a top plan view thereof; and,

FIG. 7 is a bottom plan view thereof.

1 Claim, 3 Drawing Sheets



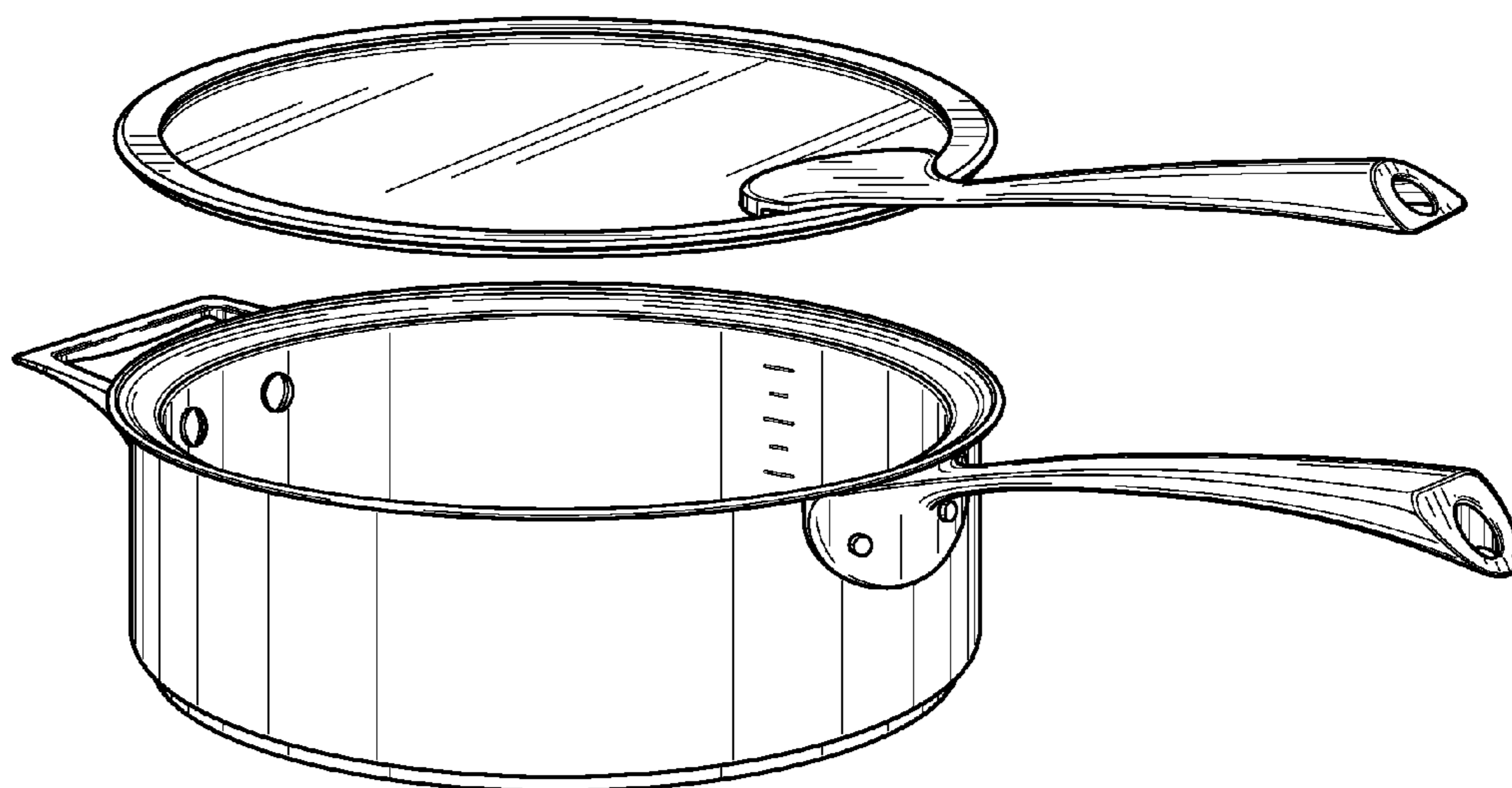


FIG. 1

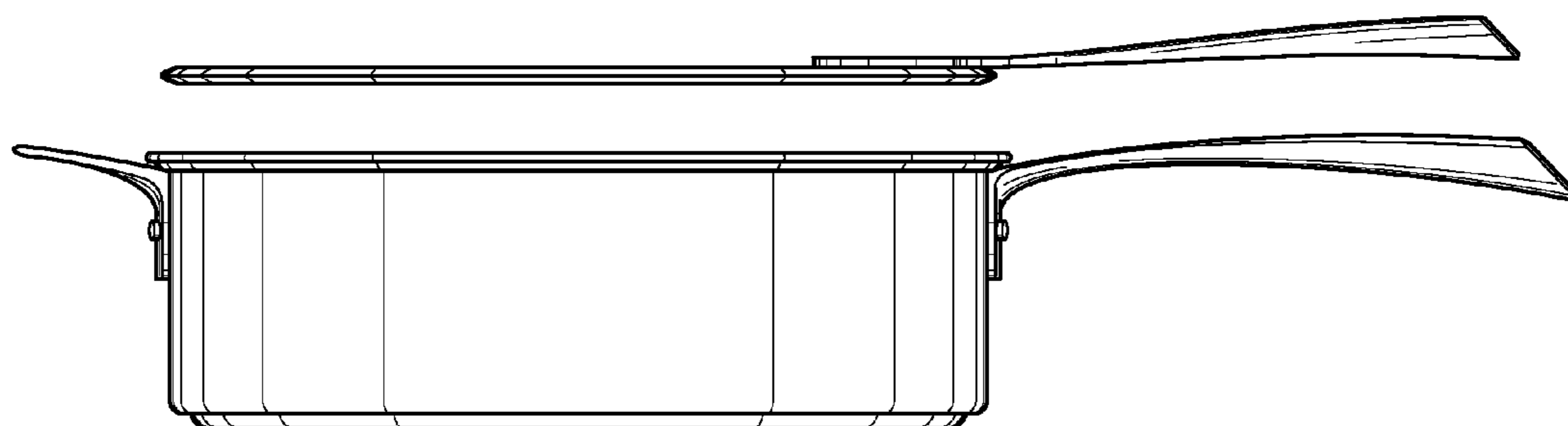


FIG. 2

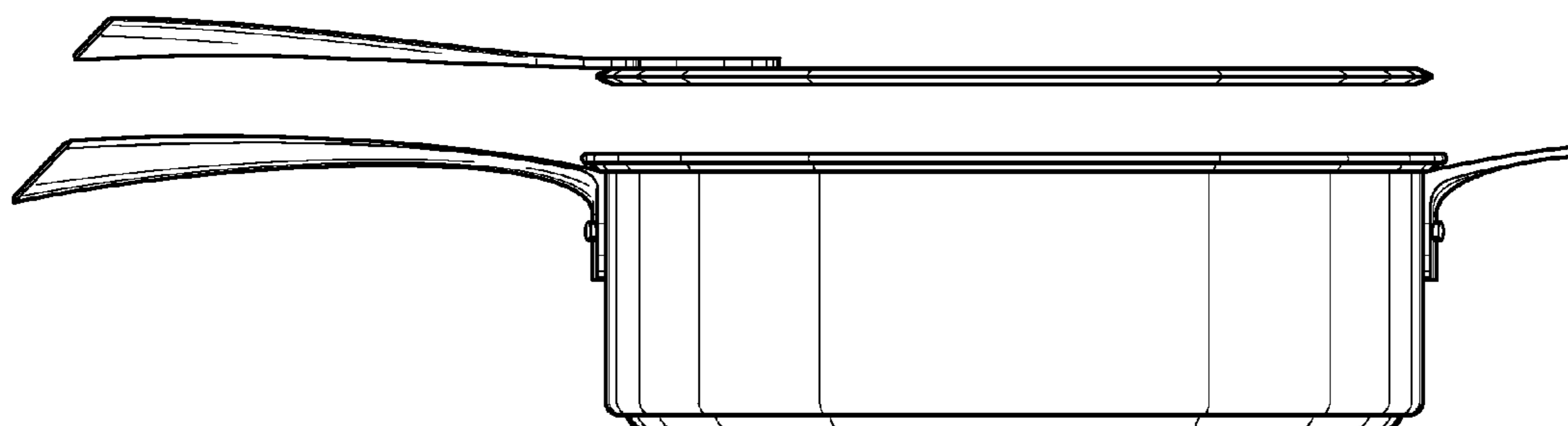


FIG. 3

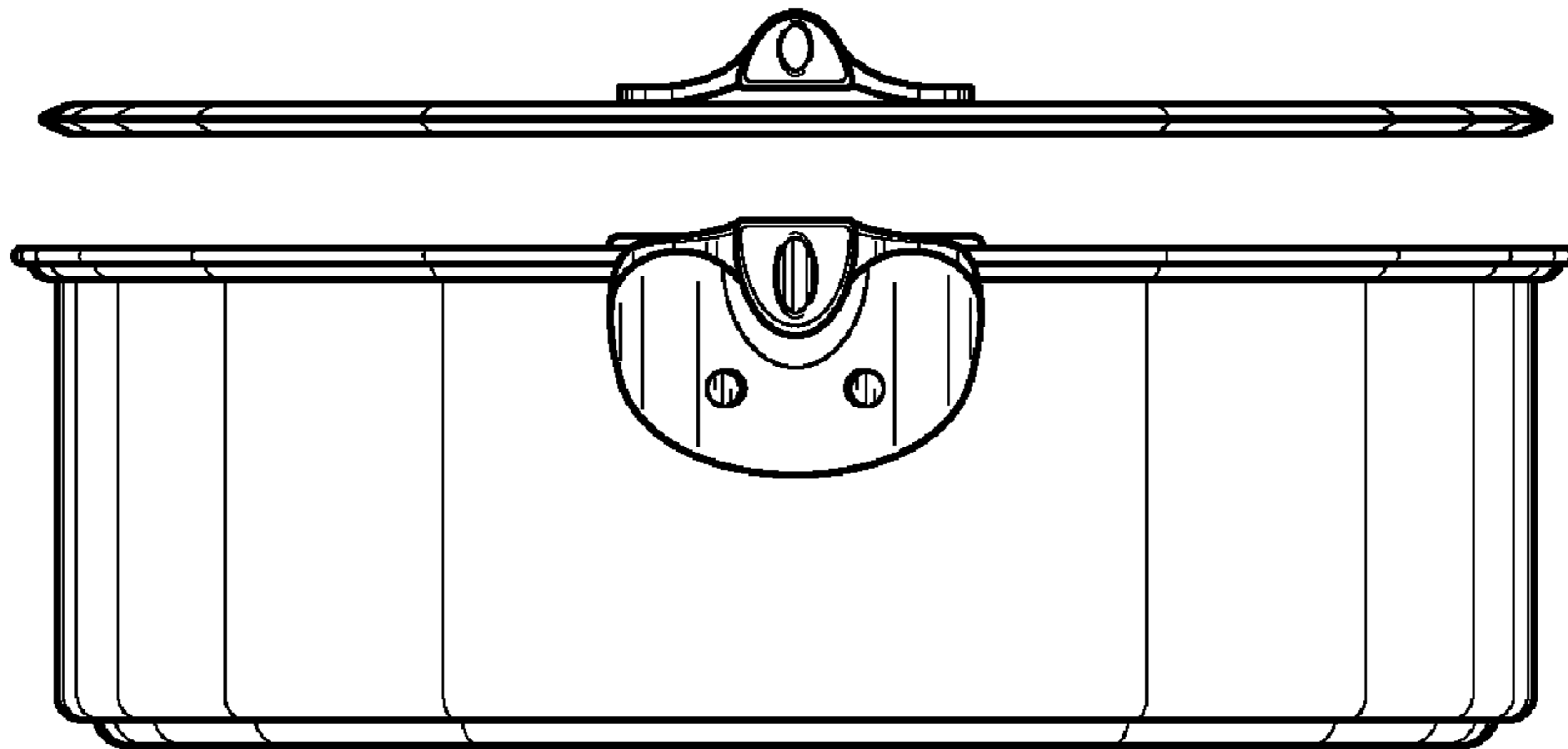


FIG. 4

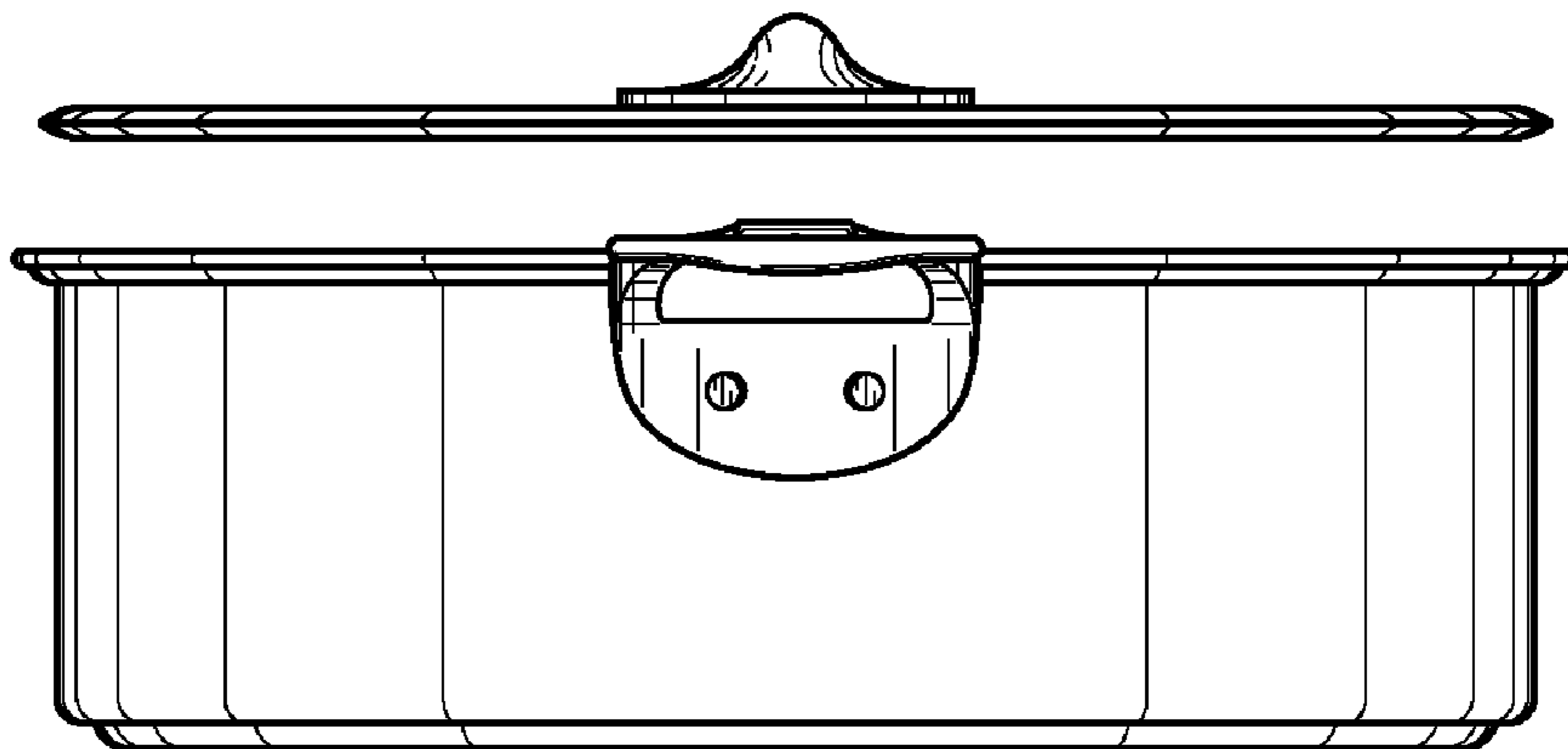


FIG. 5

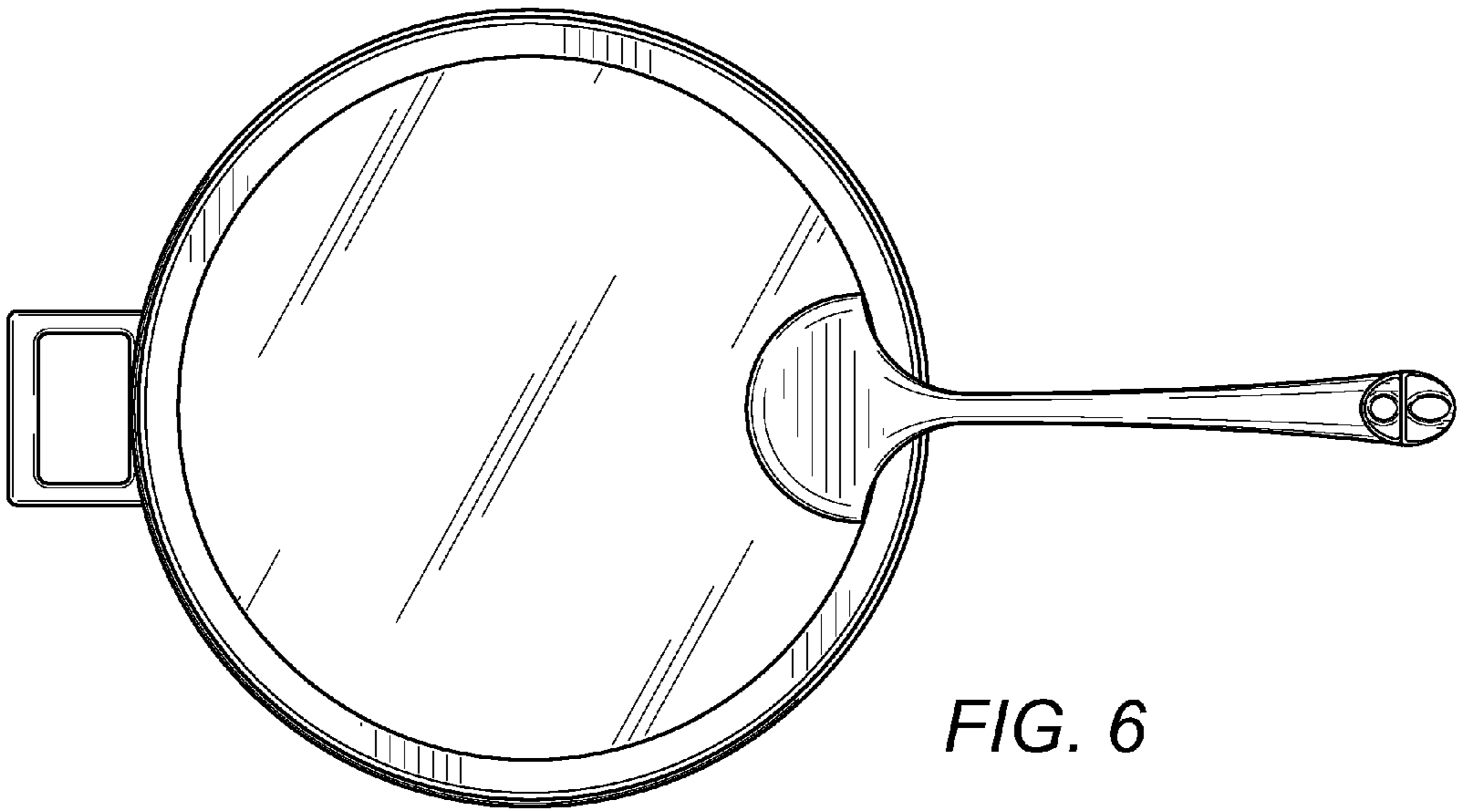


FIG. 6

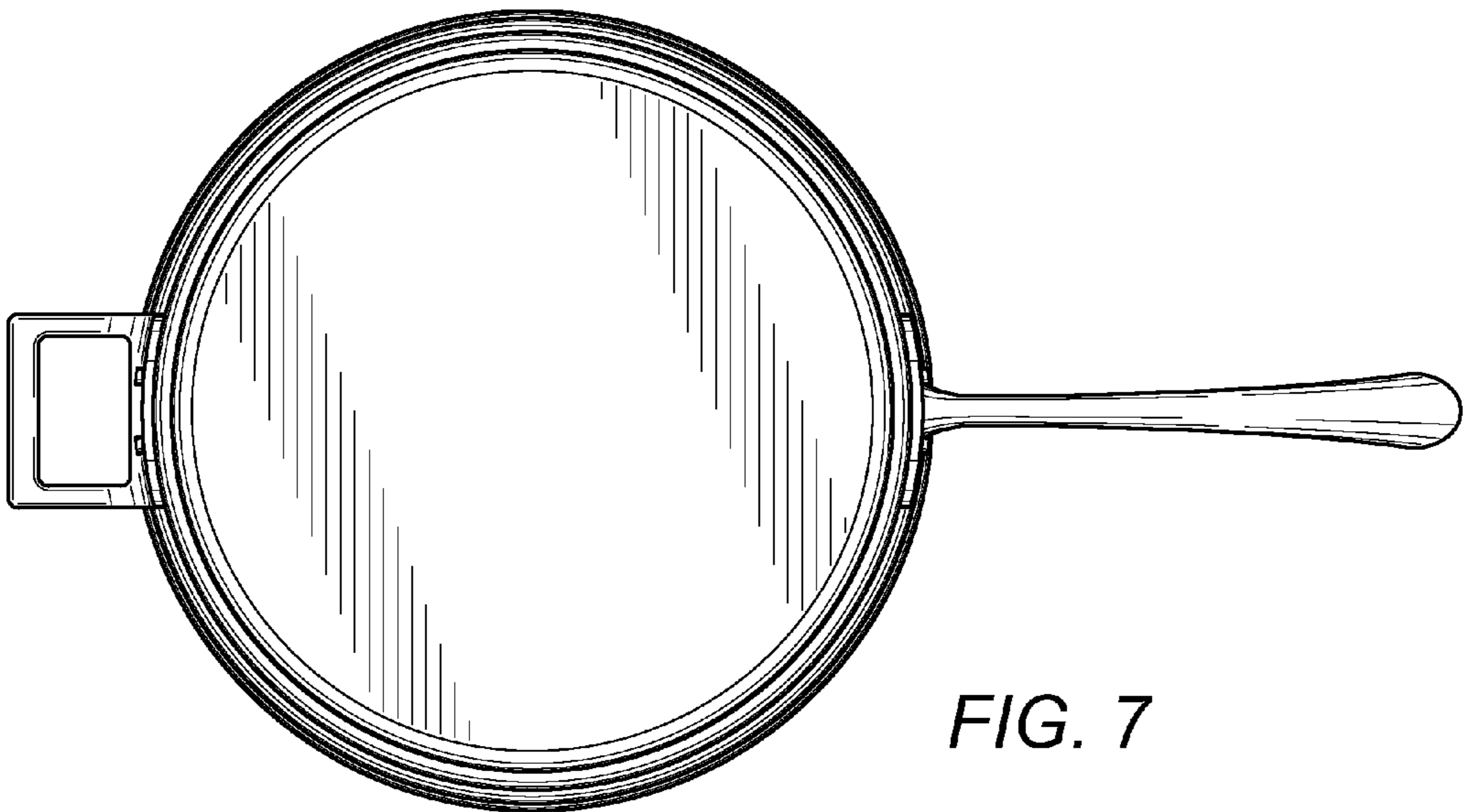


FIG. 7