



US00D621651S

(12) **United States Design Patent**
Bryce et al.

(10) **Patent No.:** **US D621,651 S**

(45) **Date of Patent:** **** Aug. 17, 2010**

(54) **COMPONENT OF GRILLING ACCESSORY**

(76) Inventors: **Donald Bryce**, 69 Sloane Dr., Framingham, MA (US) 01760; **Robert Scott Ashworth**, 13 Meadow Dr., Littleton, MA (US) 01460

(**) Term: **14 Years**

(21) Appl. No.: **29/353,562**

(22) Filed: **Jan. 11, 2010**

(51) **LOC (9) Cl.** **07-02**

(52) **U.S. Cl.** **D7/354**

(58) **Field of Classification Search** D3/313;
D7/323, 338, 352–363, 393–395, 402, 407–410,
D7/456, 554.1, 688; D9/425, 430–432, 760–761;
99/340, 343, 349, 396, 400–402, 422, 425–426,
99/444–447, 449–450; 126/1 R, 9 A, 9 B,
126/25 A, 25 R, 39 N, 39 K, 41 R, 332, 390.1;
220/377, 573.1–573.3, 752–753, 755–759,
220/912

See application file for complete search history.

(56) **References Cited**

U.S. PATENT DOCUMENTS

1,747,832 A *	2/1930	Hurxthal	99/343
D198,545 S *	6/1964	Bostrom	D9/760
D287,104 S *	12/1986	Holden	D9/425
D417,785 S *	12/1999	Daniels	D3/313
D504,325 S *	4/2005	Vovan	D9/761
D554,988 S *	11/2007	Sim	D9/425
D580,789 S *	11/2008	Larson	D9/761
D591,174 S *	4/2009	Larson	D9/761

* cited by examiner

Primary Examiner—Caron Veynar

Assistant Examiner—Ricky Pham

(74) *Attorney, Agent, or Firm*—Frank Marino

(57) **CLAIM**

The ornamental design for a component of a grilling accessory, as shown and described.

DESCRIPTION

FIG. 1 is a perspective view of a first cover component of a grilling accessory according to our new design;

FIG. 2 is a perspective view of a second cover component of a grilling accessory according to our new design;

FIG. 3 is a top view of the component of FIG. 1;

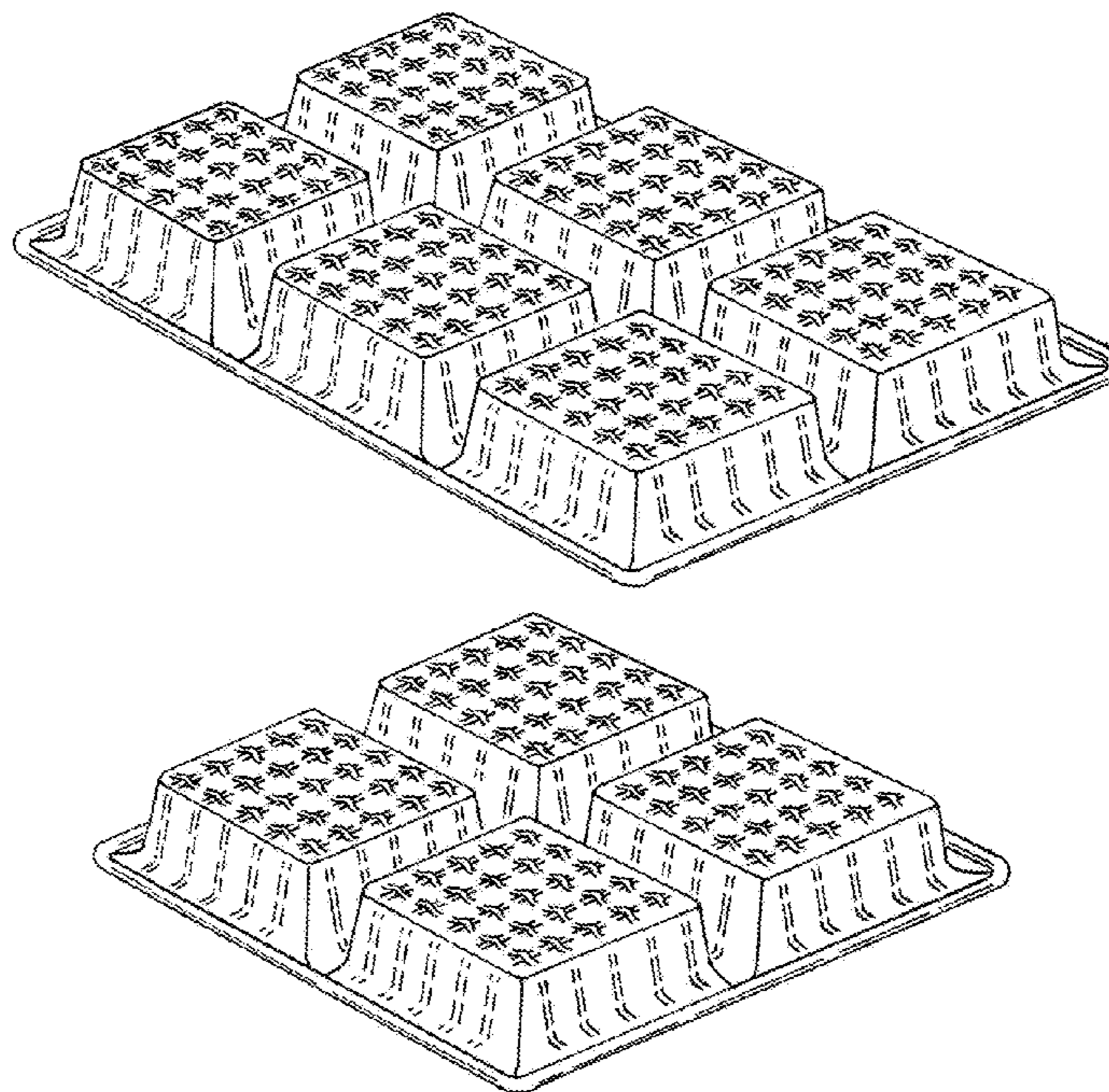
FIG. 4 is a top view of the component of FIG. 2;

FIG. 5 is a front elevation view of the component of FIG. 1, the rear side elevation view being identical thereto; and,

FIG. 6 is a right side elevation view of the component of FIG. 1, the left side elevation view being identical thereto; and FIG. 6 is also a front side elevation view of the component of FIG. 2; the rear, left and right side elevation views being identical thereto.

The claim is only made toward those ornamental features common between the first and second components, the quantity of segments thereby forming no part of the claimed design. Additionally, the wire-mesh construction in broken lines is shown for environmental purposes only and forms no part of the claimed design.

1 Claim, 2 Drawing Sheets



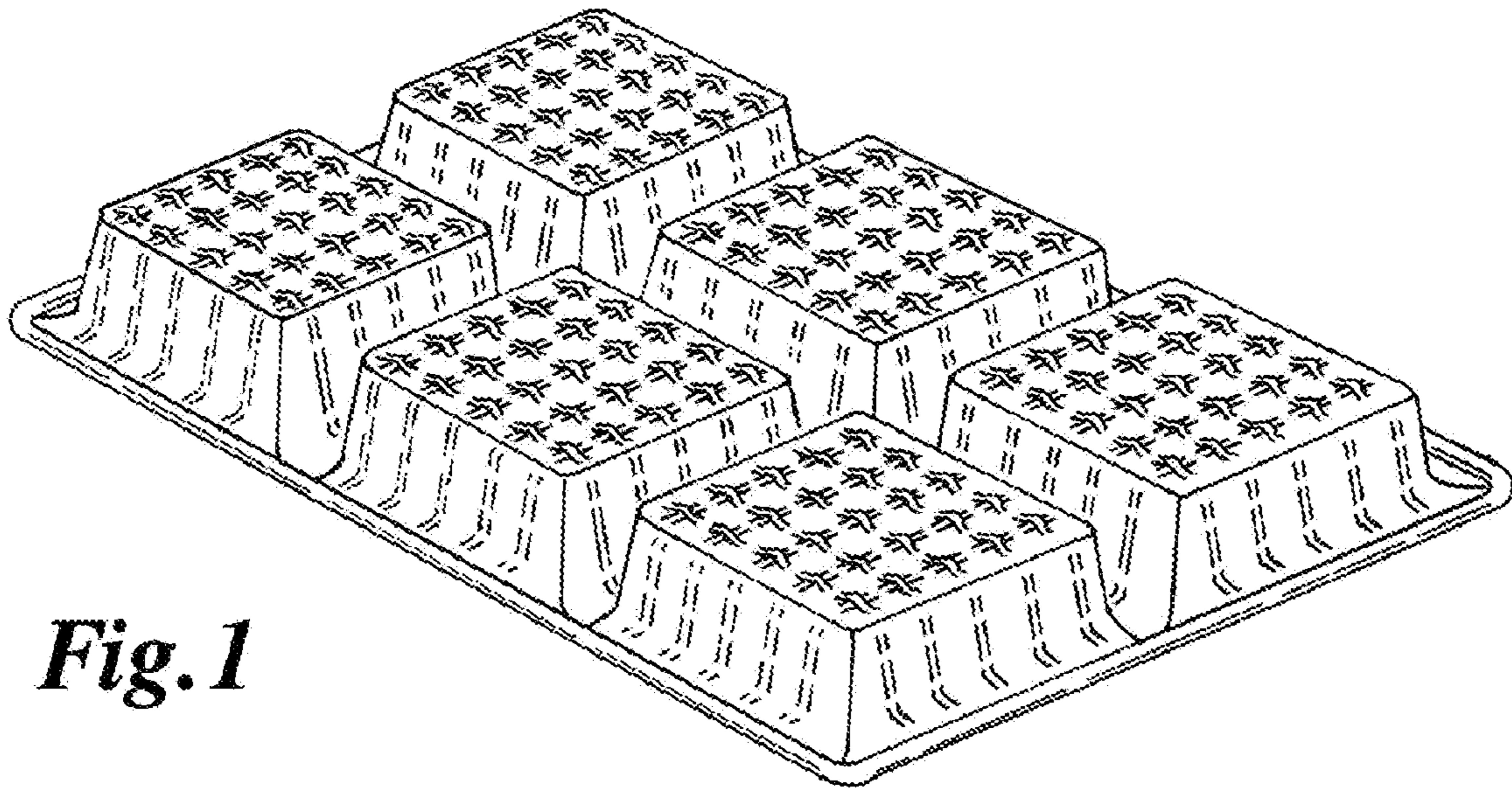


Fig. 1

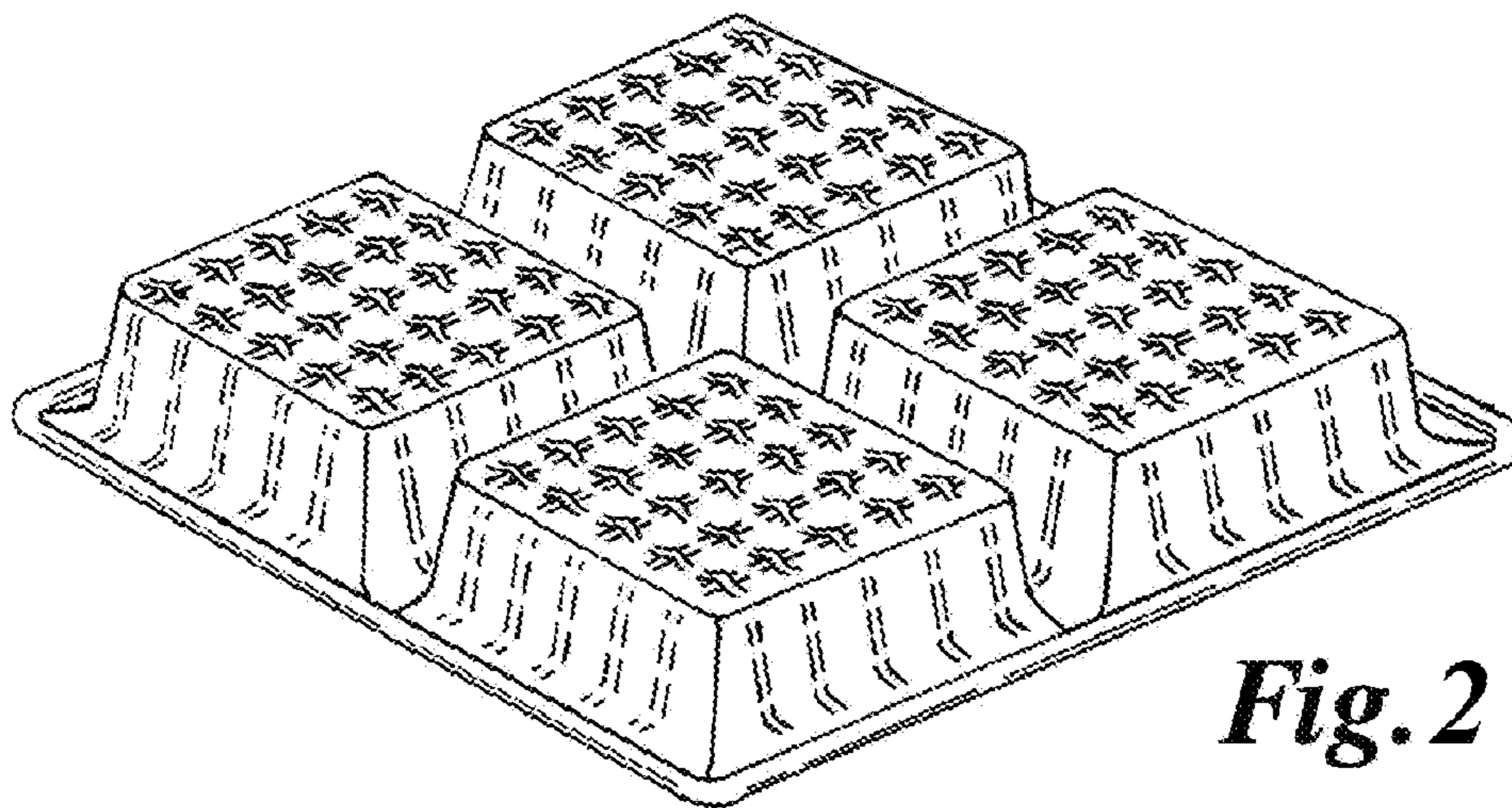


Fig. 2

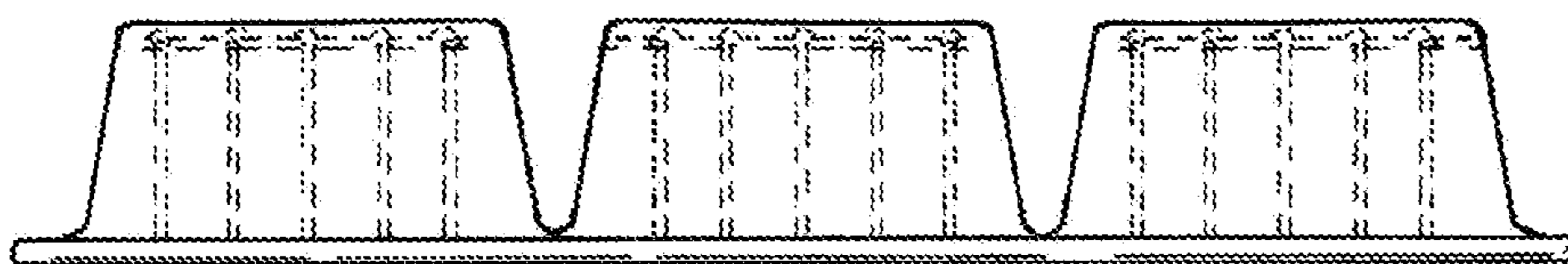


Fig. 5

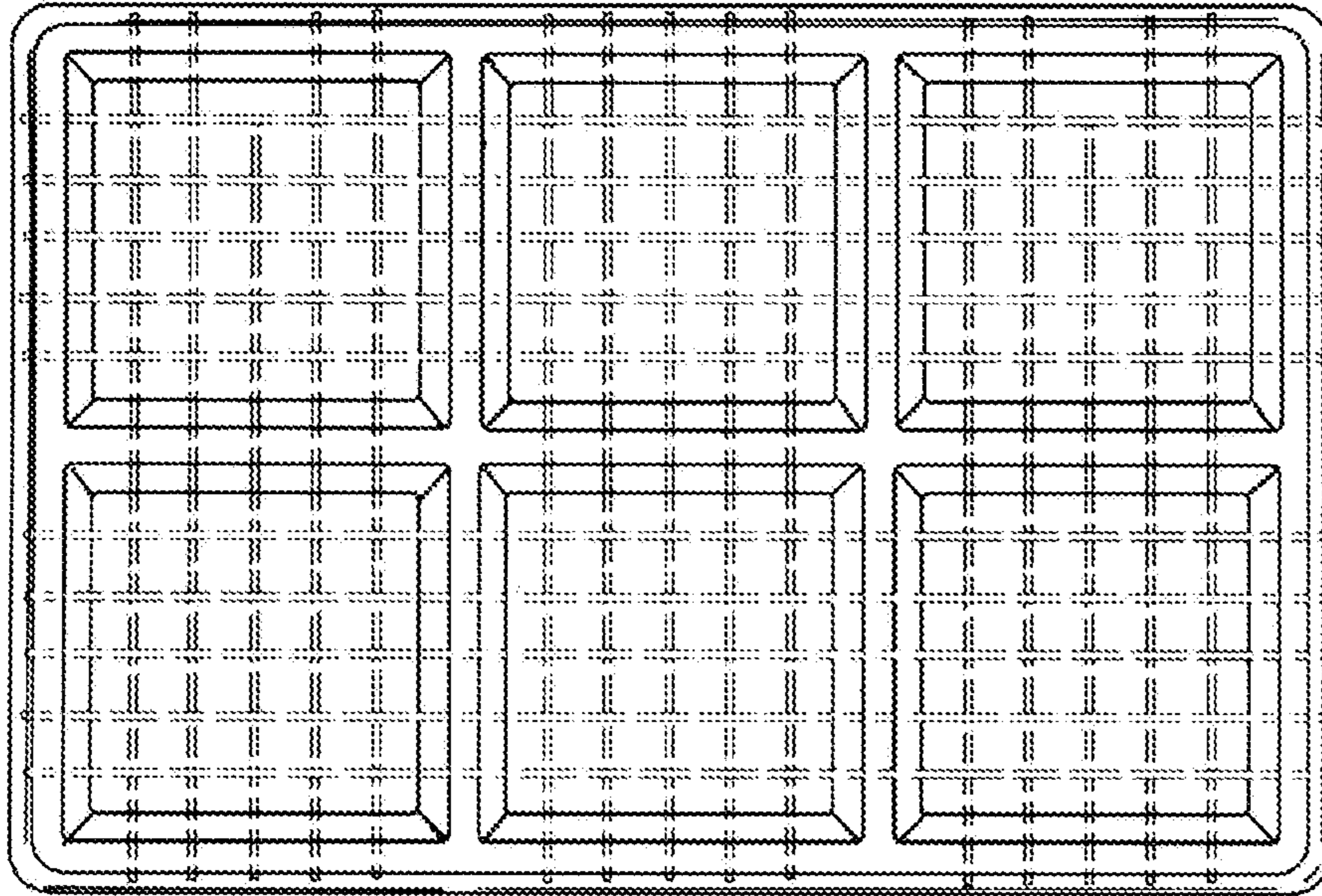


Fig. 3

Fig. 4

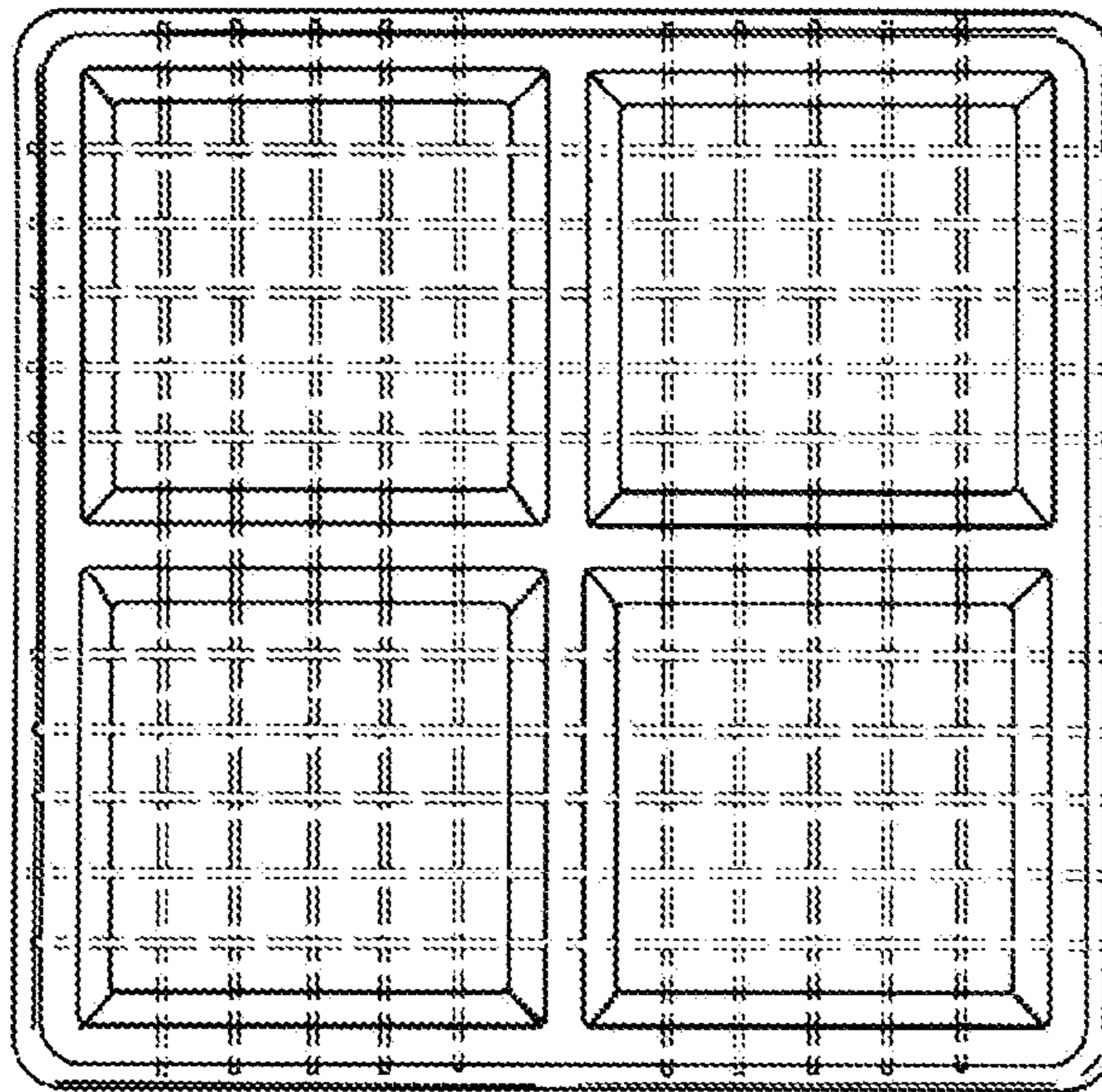


Fig. 6

