



US00D621649S

(12) **United States Design Patent**
Blanchard et al.

(10) **Patent No.:** **US D621,649 S**

(45) **Date of Patent:** **** Aug. 17, 2010**

(54) **TOASTER**

D506,348 S * 6/2005 Josancy D7/330
D524,591 S * 7/2006 Averty D7/330

(75) Inventors: **Russell Blanchard**, Brooklyn, NY (US);
Joern Vicari, Brooklyn, NY (US);
Agnete Enga, Barcelona (ES); **Paul Katz**, New York, NY (US); **Anthony Di Bitonto**, Brooklyn, NY (US)

* cited by examiner

Primary Examiner—Caron Veynar
Assistant Examiner—Ricky Pham

(73) Assignee: **SEB**, Selongey (FR)

(74) *Attorney, Agent, or Firm*—Browdy and Neimark, PLLC

(**) Term: **14 Years**

(57) **CLAIM**

(21) Appl. No.: **29/350,185**

The ornamental design for a toaster, as shown.

(22) Filed: **Nov. 12, 2009**

DESCRIPTION

(51) **LOC (9) Cl.** **07-02**

(52) **U.S. Cl.** **D7/330**

(58) **Field of Classification Search** D7/306–308,
D7/323, 328–333, 340–341, 346, 354–365,
D7/367, 385, 390, 402, 405–411, 665; 99/326–327,
99/331–332, 341, 357, 375, 385–389, 392,
99/646 R; 219/214, 388, 392, 405, 443.1,
219/450.1, 489, 492, 532; 426/233, 523
See application file for complete search history.

FIG. 1 is a front elevational view of a toaster in accordance with the present design;

FIG. 2 is a rear elevational view thereof;

FIG. 3 is a left side elevational view thereof;

FIG. 4 is a right side elevational view thereof;

FIG. 5 is a top plan view thereof;

FIG. 6 is a bottom plan view thereof; and,

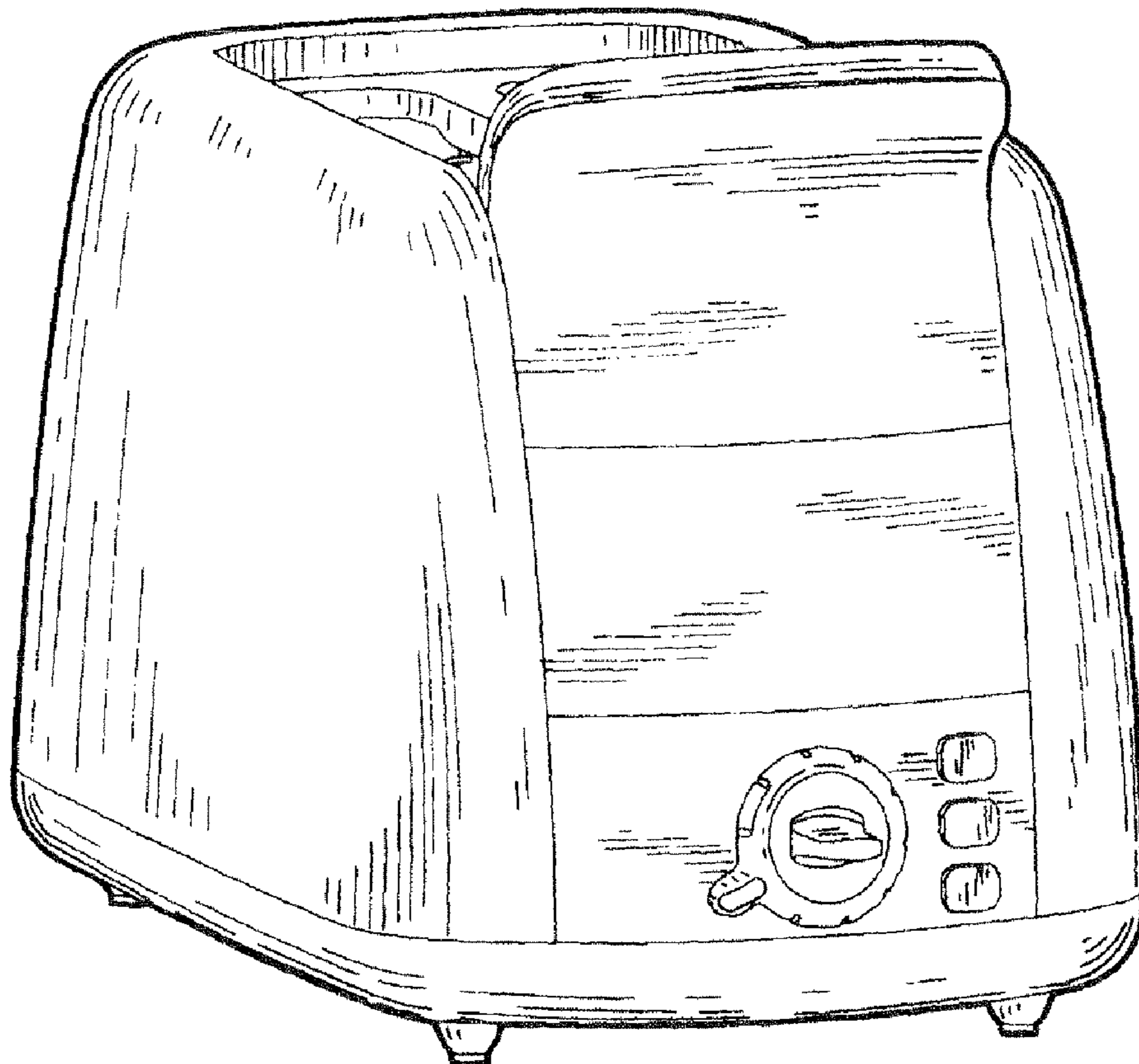
FIG. 7 is a three quarter perspective view thereof.

(56) **References Cited**

U.S. PATENT DOCUMENTS

D505,585 S * 5/2005 MacWilliam D7/330

1 Claim, 7 Drawing Sheets



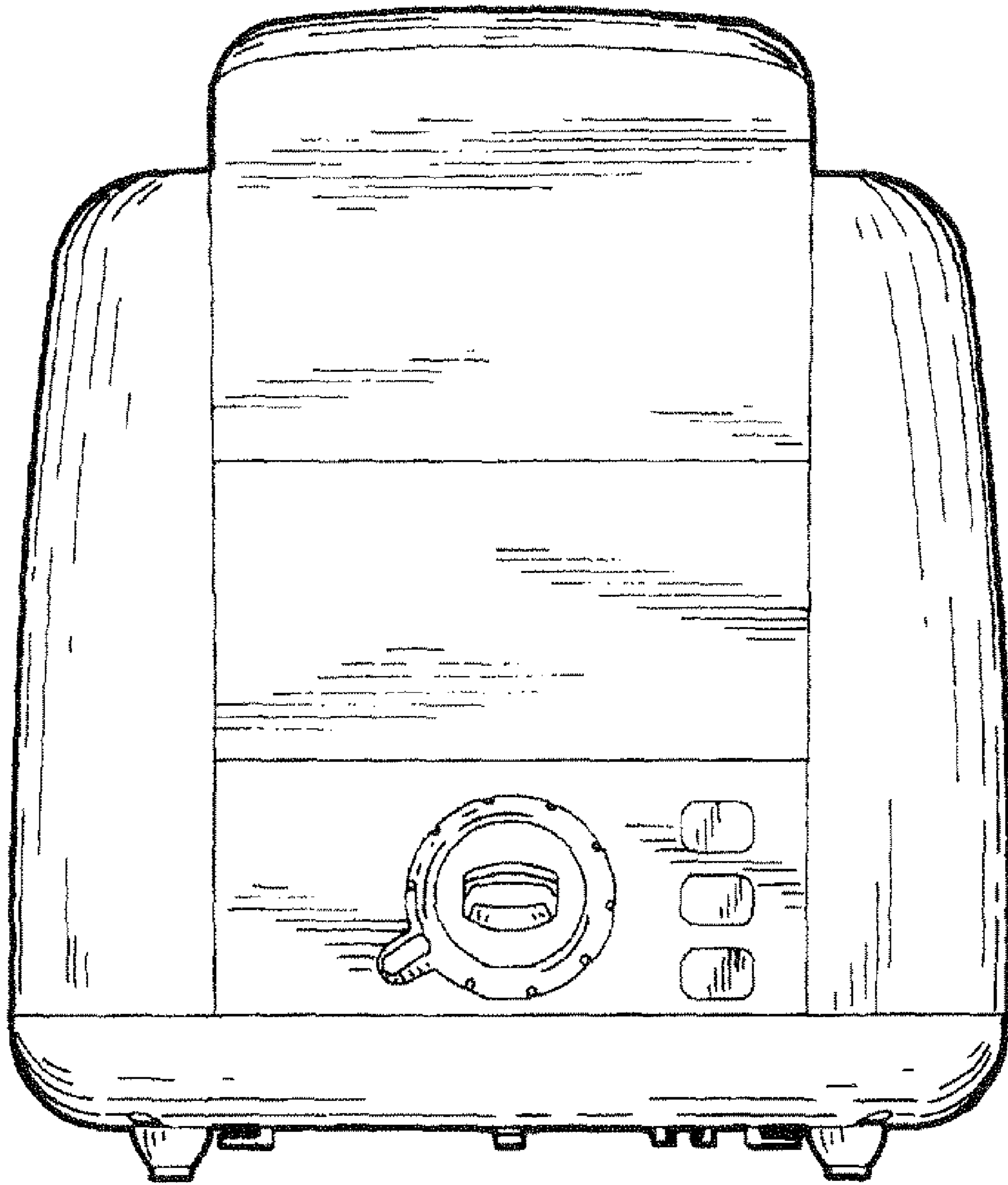


Fig. 1

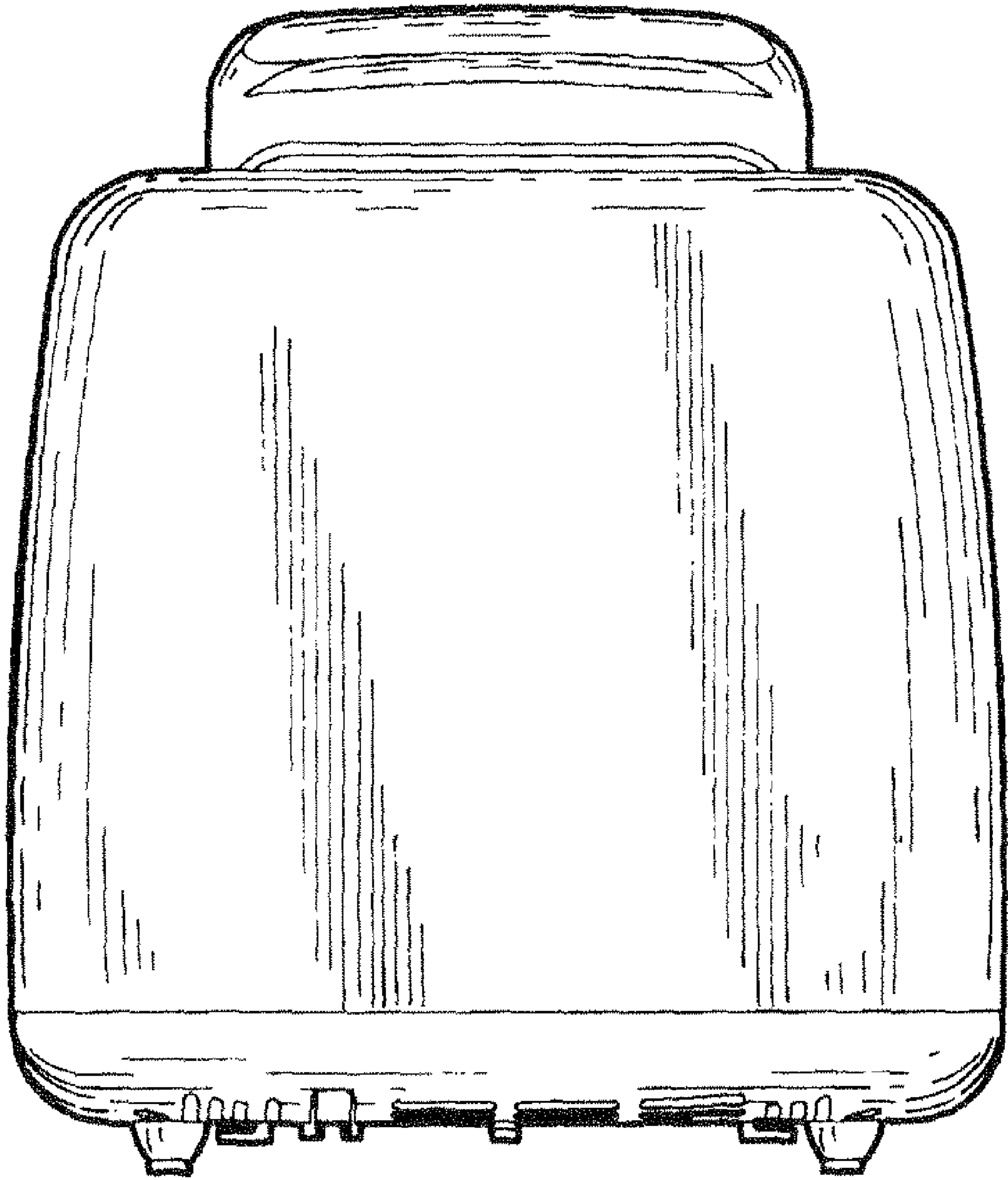


Fig. 2

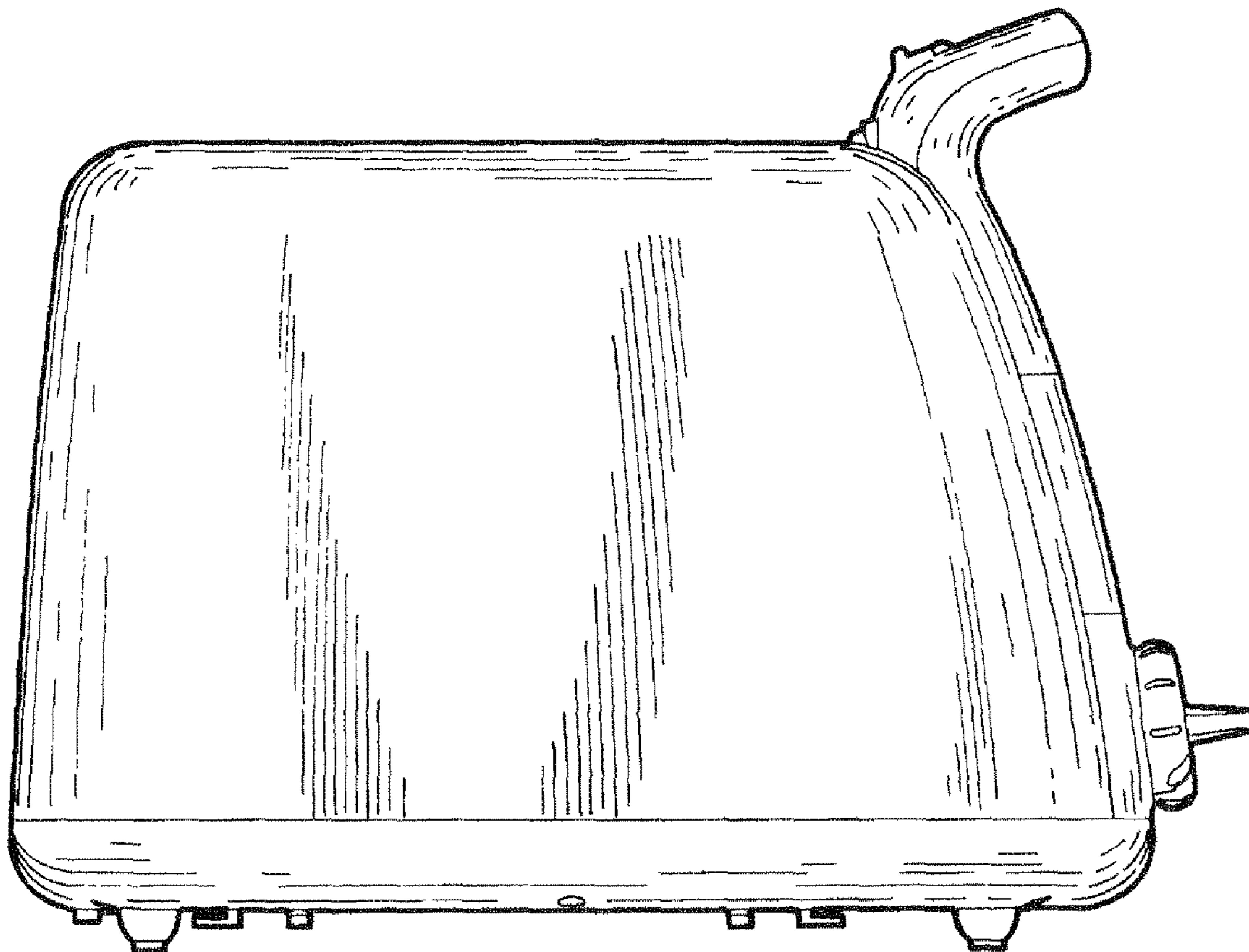


Fig. 3

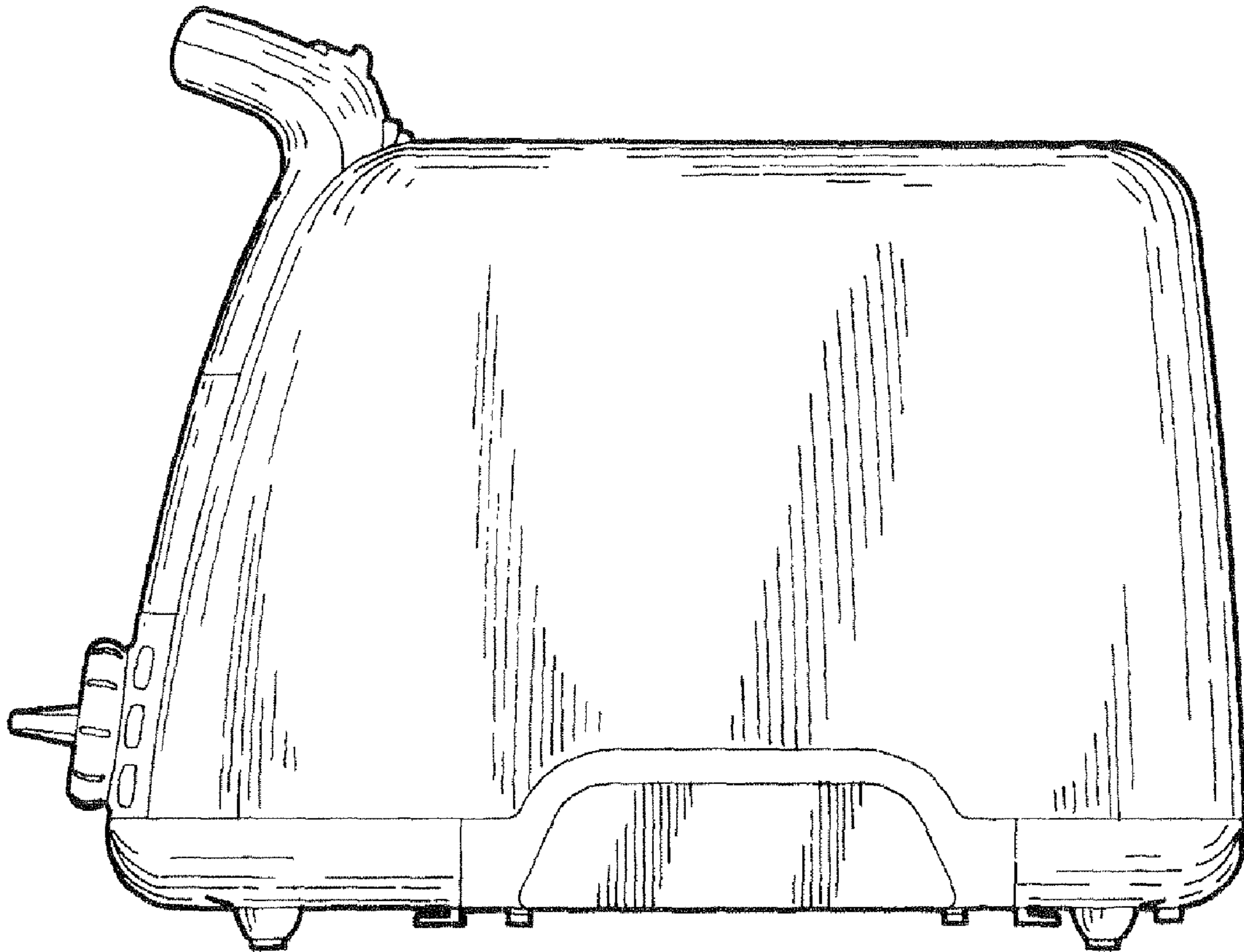


Fig. 4

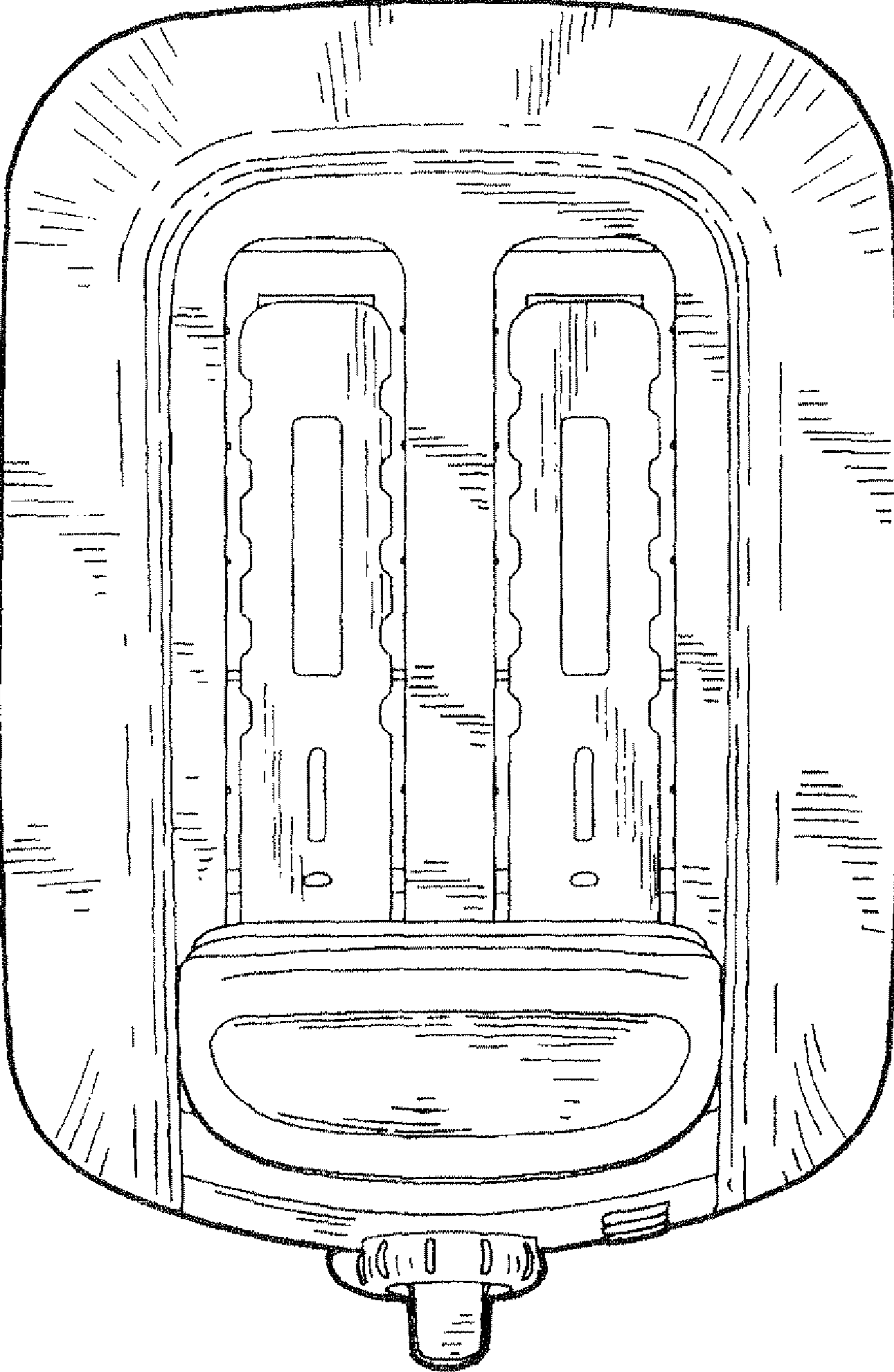


Fig. 5

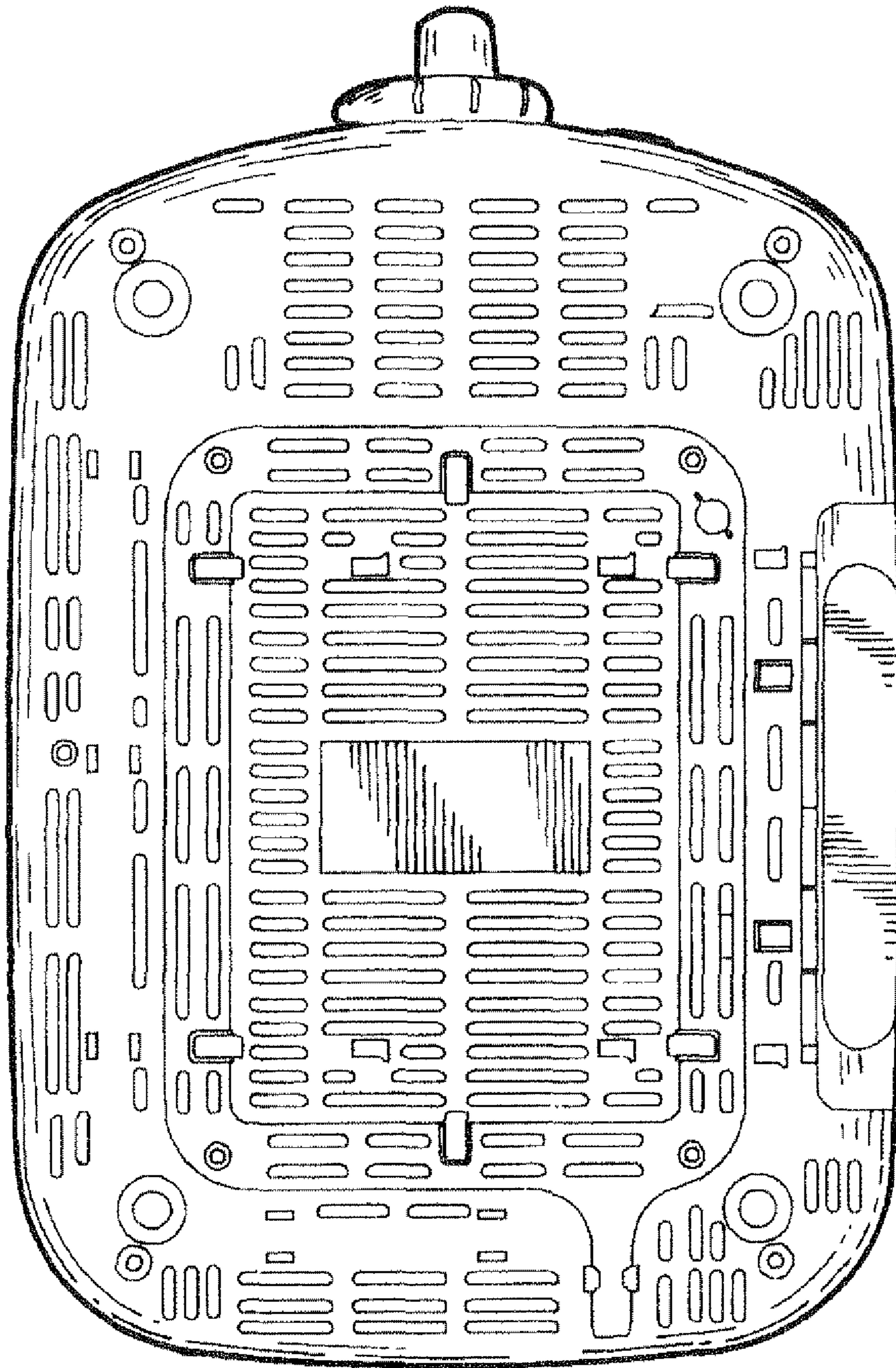


Fig. 6

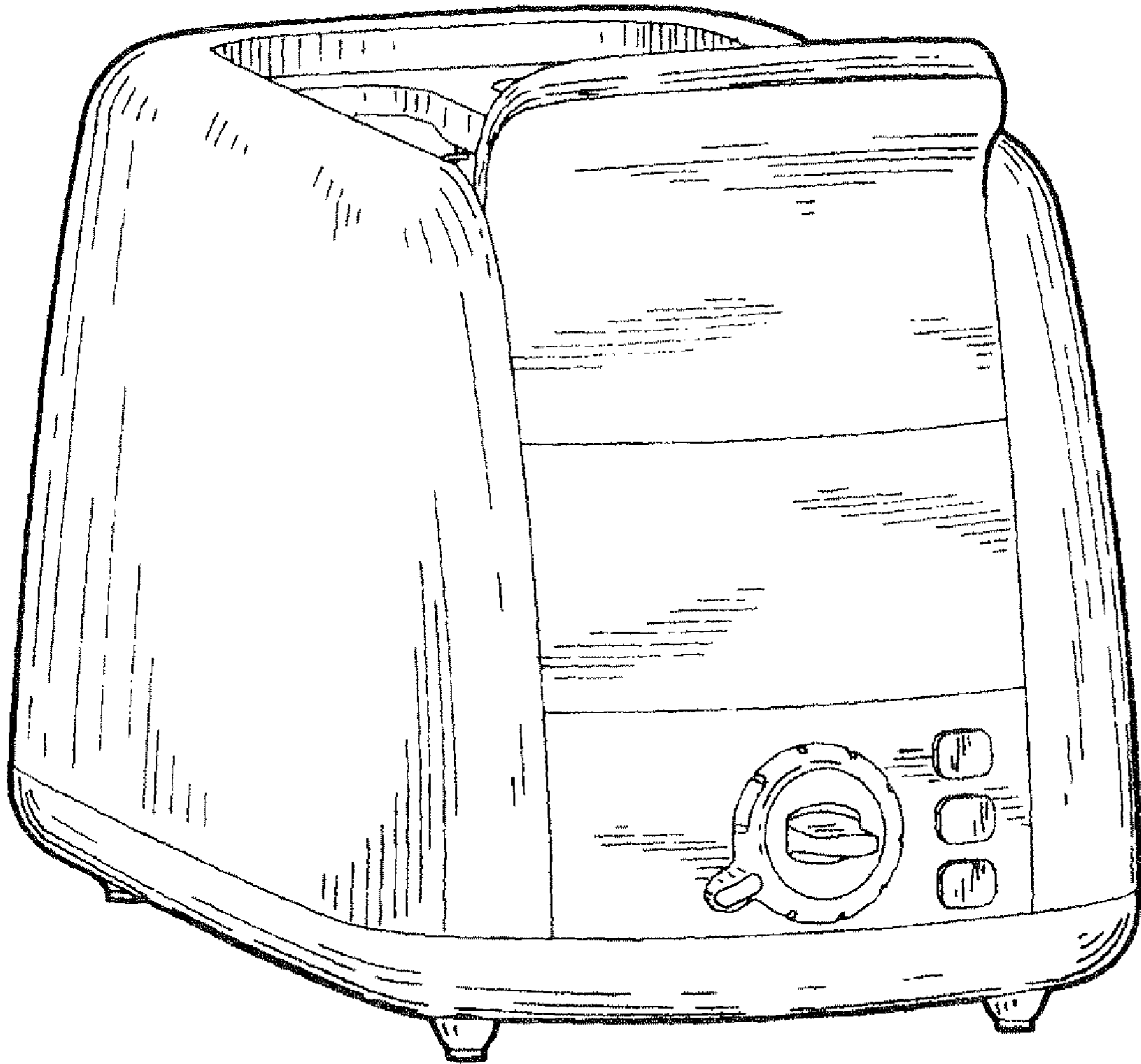


Fig. 7