

US00D621645S

(12) **United States Design Patent**
Johnson et al.

(10) **Patent No.:** **US D621,645 S**
(45) **Date of Patent:** **** Aug. 17, 2010**

- | | | | |
|--|-------------|---------|-------------------|
| (54) GRAVITY FEED DISPENSER DISPLAY | 2,443,871 A | 6/1948 | Shield |
| | 2,852,327 A | 9/1958 | Mason |
| (75) Inventors: Terry J. Johnson , Chicago, IL (US);
John Schoemer , Elk Grove Village, IL (US);
Travis O. Johnson , Chicago, IL (US) | 2,888,145 A | 5/1959 | Knott et al. |
| | 2,996,344 A | 8/1961 | Garman et al. |
| | 3,784,022 A | 1/1974 | Beesley |
| | 3,942,631 A | 3/1976 | Sutherland et al. |
| (73) Assignee: Gamon Plus, Inc. , Elk Grove, IL (US) | 4,105,126 A | 8/1978 | Deffner et al. |
| (**) Term: 14 Years | 4,200,220 A | 4/1980 | Ganz |
| | 4,228,903 A | 10/1980 | Eckert |
| (21) Appl. No.: 29/355,536 | 4,274,580 A | 6/1981 | Arnold |
| | 4,356,923 A | 11/1982 | Young et al. |
| (22) Filed: Feb. 9, 2010 | 4,426,008 A | 1/1984 | Olsen et al. |

Related U.S. Application Data

- (60) Continuation of application No. 29/344,245, filed on Sep. 25, 2009, now Pat. No. Des. 612,646, which is a continuation of application No. 29/339,359, filed on Jun. 29, 2009, now Pat. No. Des. 608,575, which is a continuation of application No. 29/332,015, filed on Feb. 6, 2009, now Pat. No. Des. 595,074, which is a division of application No. 29/318,303, filed on May 16, 2008, now Pat. No. Des. 588,386, which is a continuation of application No. 11/164,784, filed on Dec. 6, 2005, which is a continuation-in-part of application No. 11/255,271, filed on Oct. 21, 2005, now abandoned, which is a division of application No. 10/600,387, filed on Jun. 20, 2003, now Pat. No. 6,991,116.

(Continued)

OTHER PUBLICATIONS

P.O.P. & Sign Design regarding Welch's Juice Makers, Mar./Apr. 1997, p. 61.

(Continued)

Primary Examiner—Brian N Vinson
(74) *Attorney, Agent, or Firm*—SAIDMAN DesignLaw Group

- (51) **LOC (9) Cl.** **20-02**
(52) **U.S. Cl.** **D6/515**
(58) **Field of Classification Search** D6/515-524;
206/389, 391; 211/13.1, 16, 44, 49.1, 50,
211/59.2, 86.01; 222/173, 181.1; 221/283;
312/34, 34.8, 34.22, 309.1, 60
See application file for complete search history.

(57) **CLAIM**

The ornamental design for a gravity feed dispenser display, as shown and described.

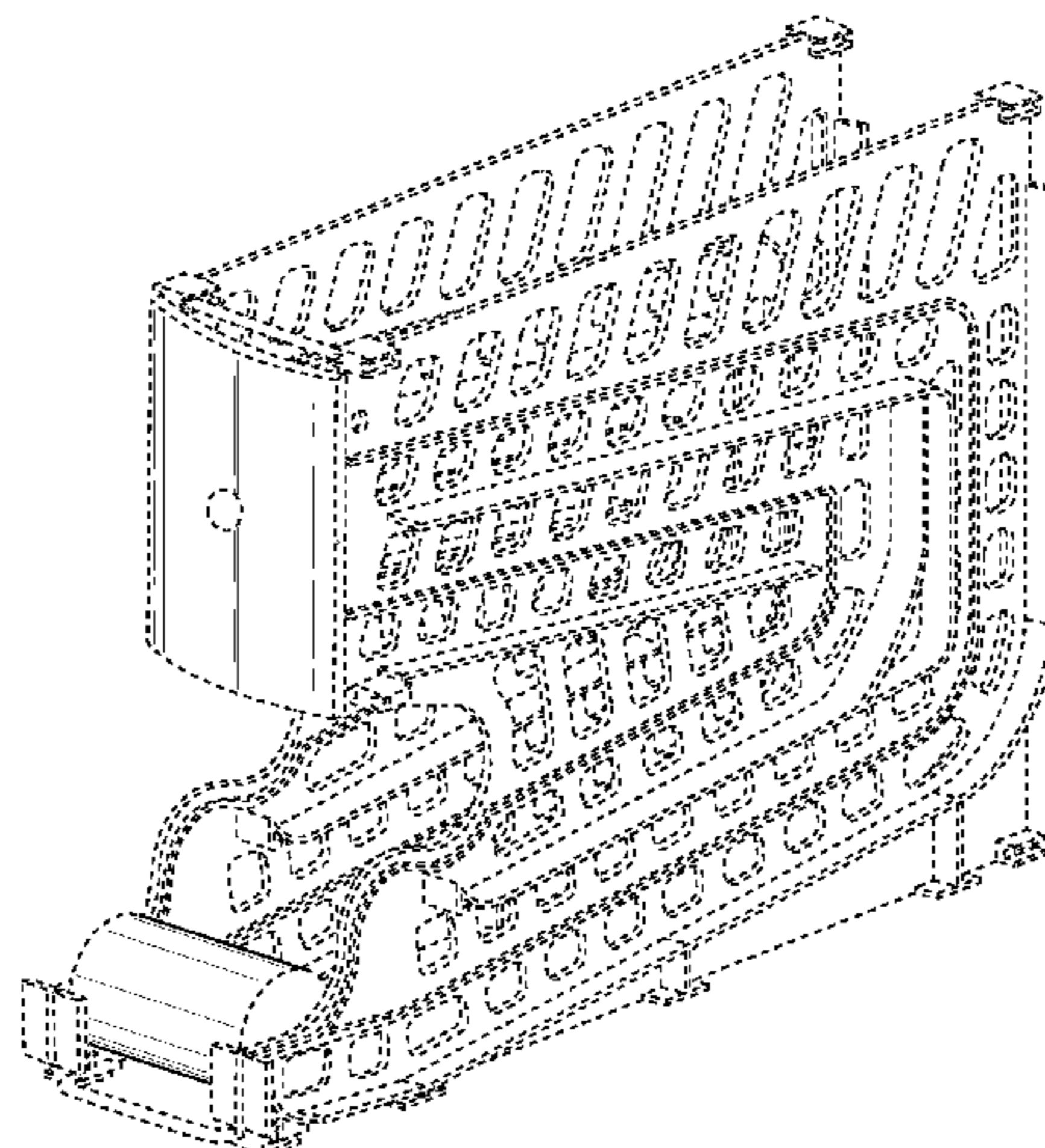
DESCRIPTION

The sole FIGURE is a perspective view of a gravity feed dispenser display showing our new design.

The broken line showing is for the purpose of illustrating portions of the gravity feed dispenser display and forms no part of the claimed design.

- (56) **References Cited**
U.S. PATENT DOCUMENTS
- | | | |
|-------------|---------|--------------|
| 1,694,897 A | 12/1928 | Washburn |
| 1,999,021 A | 4/1935 | Marsh |
| 2,382,191 A | 8/1945 | Weichselbaum |

1 Claim, 1 Drawing Sheet



US D621,645 S

Page 2

U.S. PATENT DOCUMENTS

4,456,147 A 6/1984 Tominaga
4,474,297 A 10/1984 Zucker
4,530,548 A 7/1985 Spamer et al.
4,598,828 A 7/1986 Young et al.
D290,790 S 7/1987 Nathan et al.
4,823,984 A 4/1989 Ficken
4,974,771 A 12/1990 Lavery
4,997,106 A 3/1991 Rockola
5,228,590 A 7/1993 Blasko et al.
D342,420 S 12/1993 Ienna
5,289,943 A 3/1994 Powell
5,295,608 A * 3/1994 Blasko et al. 312/309.1
D354,181 S 1/1995 Smith et al.
D380,113 S 6/1997 Byrd
5,645,176 A 7/1997 Jay
5,788,117 A 8/1998 Zimmanck
5,806,712 A 9/1998 Siemens et al.
D405,622 S 2/1999 Linz
D417,975 S 12/1999 Linz
6,068,142 A 5/2000 Primiano
6,484,903 B2 11/2002 Spivey
6,554,159 B1 4/2003 Behr et al.
6,578,736 B2 6/2003 Spivey

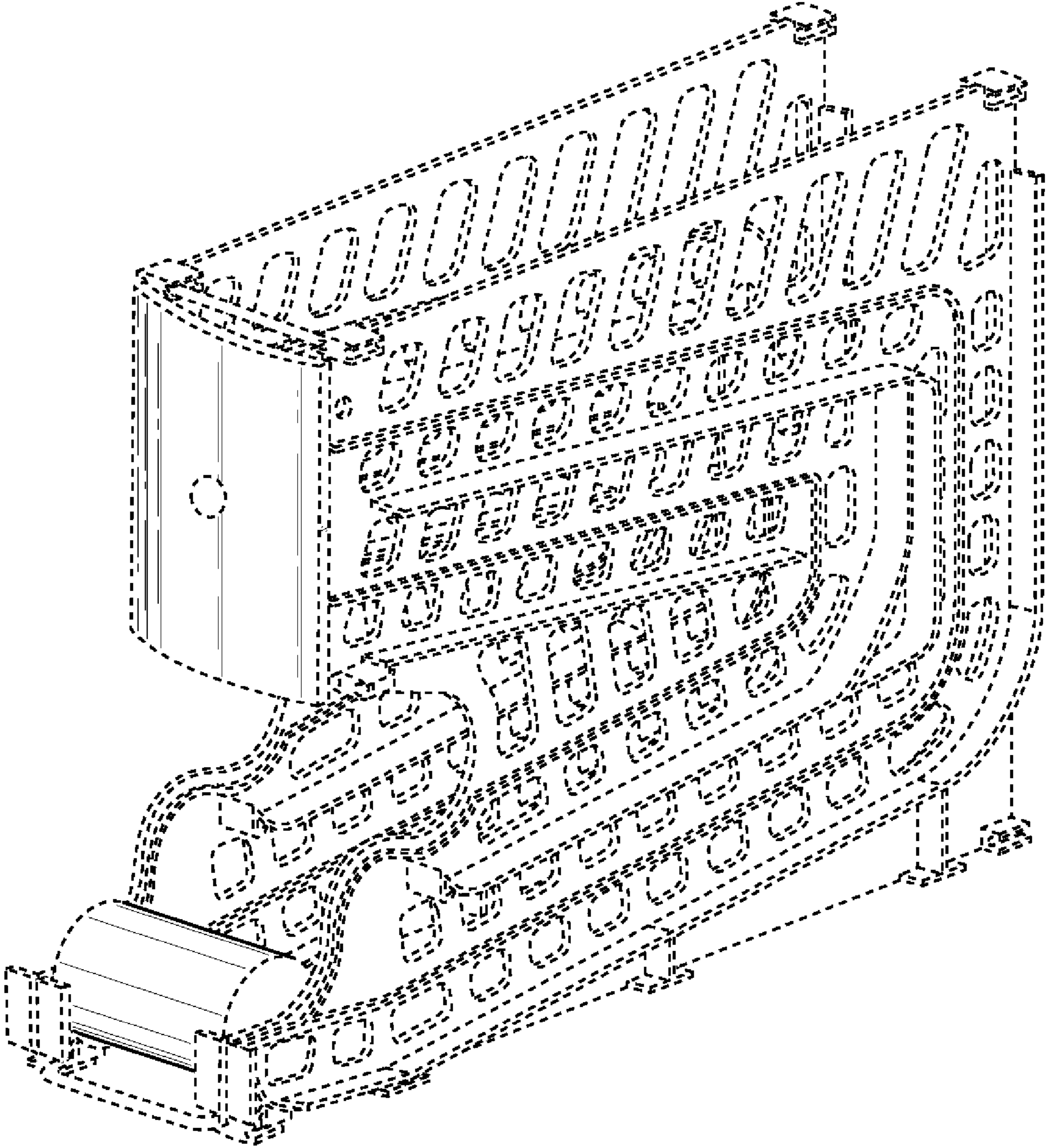
D486,324 S * 2/2004 Mason D6/515
6,786,341 B2 9/2004 Stinnett et al.
D499,590 S * 12/2004 Meredith D6/515
D499,914 S * 12/2004 Rimback D6/515
D509,689 S * 9/2005 Ho D6/515
6,991,116 B2 1/2006 Johnson
7,083,054 B2 8/2006 Squitieri
7,104,435 B2 9/2006 Holley et al.
D563,127 S * 3/2008 Henry et al. D6/515
D572,057 S * 7/2008 Lledo D6/515
D584,547 S * 1/2009 Merrick et al. D6/515
D588,386 S * 3/2009 Johnson et al. D6/515
7,523,842 B2 4/2009 Spivey
D595,074 S * 6/2009 Johnson et al. D6/515
D608,575 S * 1/2010 Johnson et al. D6/515
2002/0185499 A1 12/2002 Harrelson et al.

OTHER PUBLICATIONS

Photographs (5) of Gamon International's can dispenser display, 1997.

Serpentine Modular Gravity Feed Can Dispenser, www.displayand-design.com.au, Apr. 29, 2004, Display&Design International. Pty. Ltd.

* cited by examiner



(12) **INTER PARTES REVIEW CERTIFICATE** (2680th)

United States Patent
Johnson et al.

(10) **Number:** **US D621,645 K1**
(45) **Certificate Issued:** **Mar. 28, 2022**

(54) **GRAVITY FEED DISPENSER DISPLAY**

(75) **Inventors:** **Terry J. Johnson; John Schoemer;**
Travis O. Johnson

(73) **Assignee:** **Gamon Plus, Inc.**

Trial Number:

IPR2017-00091 filed Oct. 14, 2016

Inter Partes Review Certificate for:

Patent No.: **D621,645**
Issued: **Aug. 17, 2010**
Appl. No.: **29/355,536**
Filed: **Feb. 9, 2010**

The results of IPR2017-00091 are reflected in this inter partes review certificate under 35 U.S.C. 318(b).

INTER PARTES REVIEW CERTIFICATE
U.S. Patent D621,645 K1
Trial No. IPR2017-00091
Certificate Issued Mar. 28, 2022

1

2

AS A RESULT OF THE INTER PARTES
REVIEW PROCEEDING, IT HAS BEEN
DETERMINED THAT:

The claim is cancelled.

5

* * * * *