



US00D621644S

(12) **United States Design Patent**
Johnson

(10) **Patent No.:** **US D621,644 S**
(45) **Date of Patent:** **** Aug. 17, 2010**

(54) **DISPENSER AND DISPLAY DEVICE**

(75) Inventor: **Terry J. Johnson**, Chicago, IL (US)

(73) Assignee: **Gamon Plus, Inc.**, Elk Grove, IL (US)

(**) Term: **14 Years**

(21) Appl. No.: **29/355,535**

(22) Filed: **Feb. 9, 2010**

Related U.S. Application Data

(63) Continuation of application No. 12/429,861, filed on Apr. 24, 2009, now abandoned.

(51) **LOC (9) Cl.** **20-02**

(52) **U.S. Cl.** **D6/515**

(58) **Field of Classification Search** D6/515-524;
206/389, 391; 211/13.1, 16, 44, 49.1, 50,
211/59.2, 86.01; 222/173, 181.1; 221/283;
312/34, 34.8, 34.22, 309.1, 60
See application file for complete search history.

(56) **References Cited**

U.S. PATENT DOCUMENTS

- 5,295,608 A * 3/1994 Blasko et al. 312/309.1
- D486,324 S * 2/2004 Mason D6/515
- D499,590 S * 12/2004 Meredith D6/515
- D499,914 S * 12/2004 Rimback D6/515
- D509,689 S * 9/2005 Ho D6/515
- D563,127 S * 3/2008 Henry et al. D6/515

- D572,057 S * 7/2008 Lledo D6/515
- D584,547 S * 1/2009 Merrick et al. D6/515
- D588,386 S * 3/2009 Johnson et al. D6/515
- D595,074 S * 6/2009 Johnson et al. D6/515
- D608,575 S * 1/2010 Johnson et al. D6/515

* cited by examiner

Primary Examiner—Brian N Vinson

(74) *Attorney, Agent, or Firm*—SAIDMAN DesignLaw Group

(57) **CLAIM**

The ornamental design for a dispenser and display device, as shown and described.

DESCRIPTION

FIG. 1 is a perspective view of a dispenser and display device showing my design;

FIG. 2 is a front view thereof;

FIG. 3 is a rear view thereof;

FIG. 4 is a left-side view thereof;

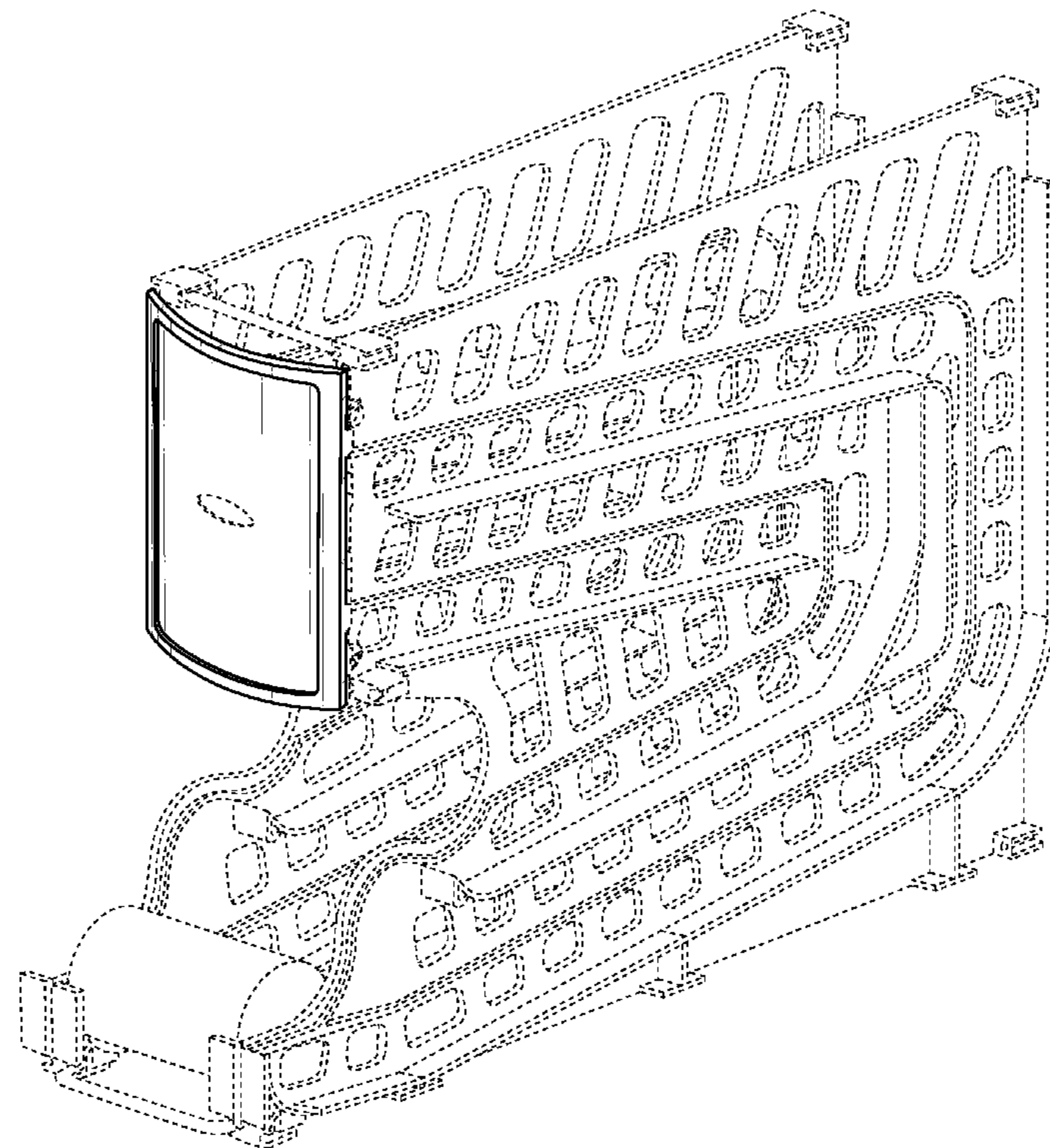
FIG. 5 is a right-side view thereof;

FIG. 6 is a top view thereof; and,

FIG. 7 is a bottom view thereof.

The broken line showing of the aperture, latches, arms and frame is for the purpose of illustrating portions of the dispenser and display device and forms no part of the claimed design.

1 Claim, 4 Drawing Sheets



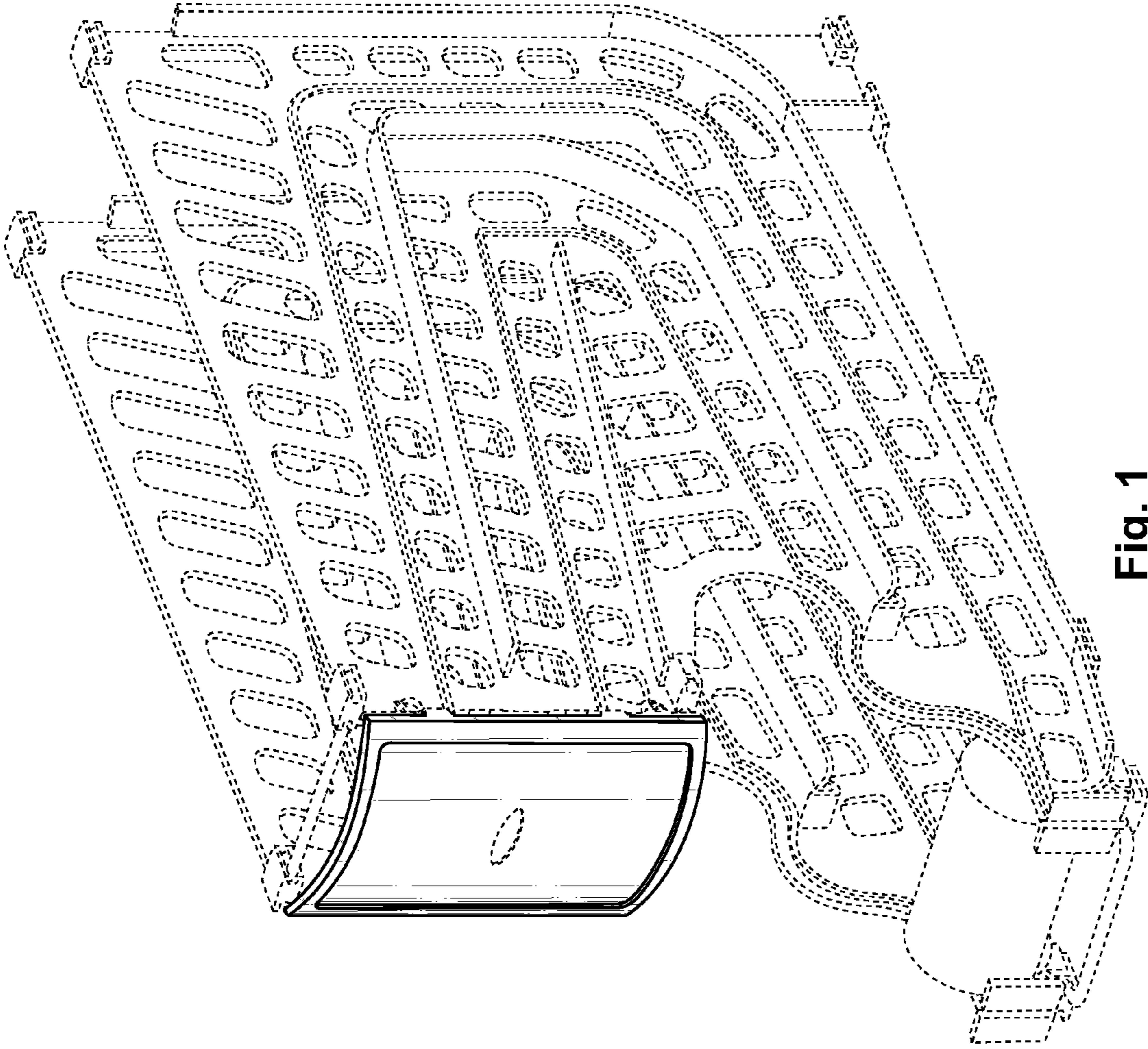


Fig. 1

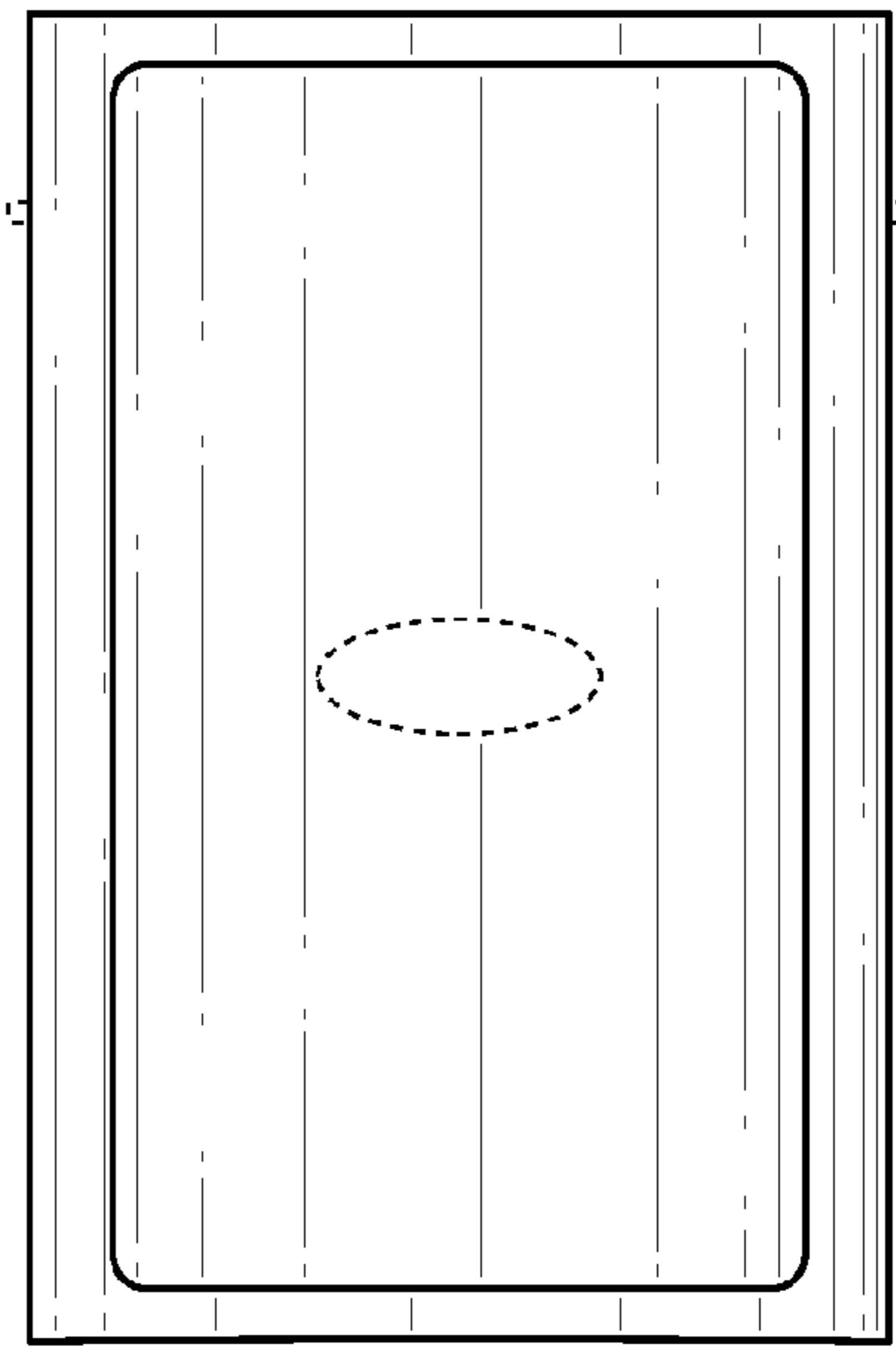


Fig. 2

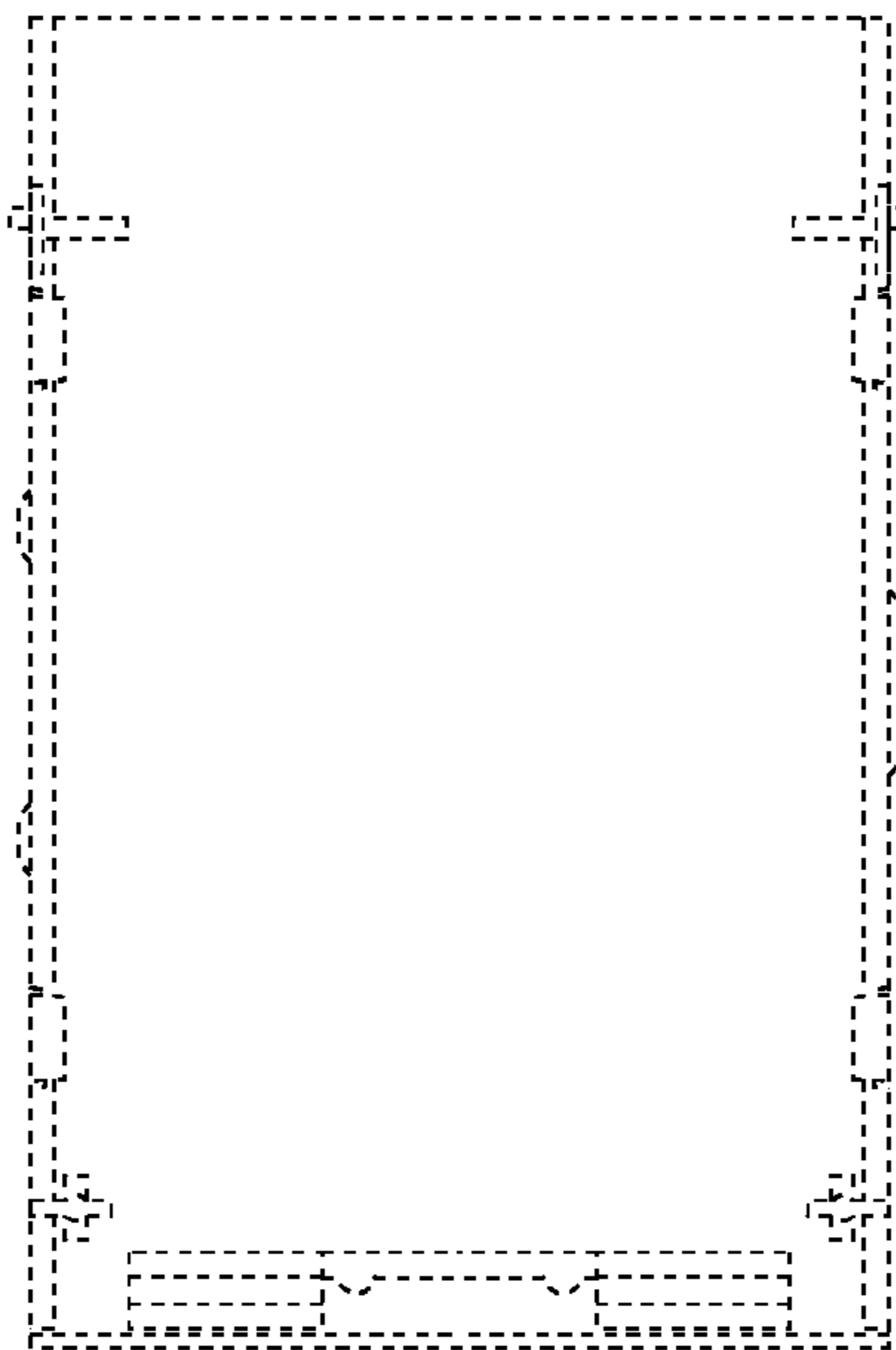


Fig. 3

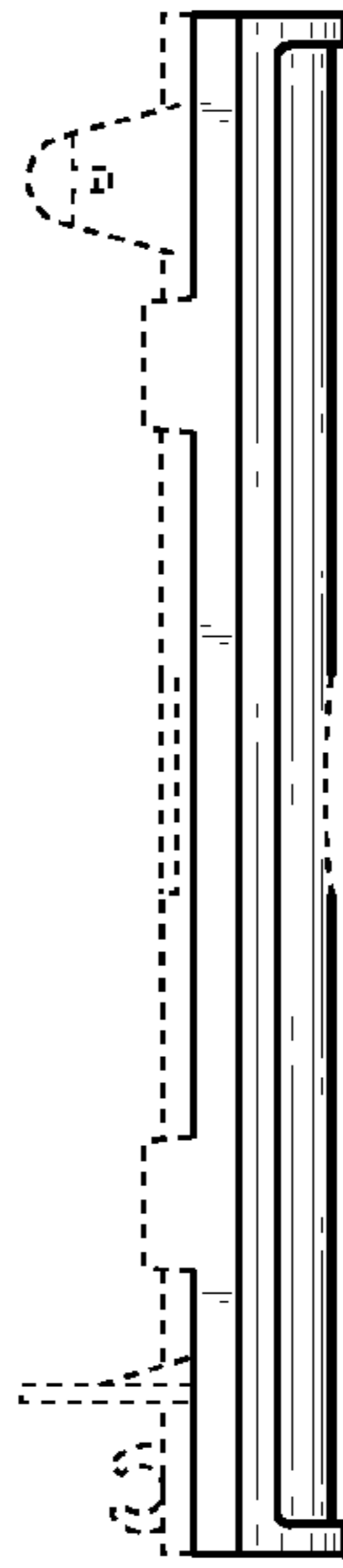


Fig. 4

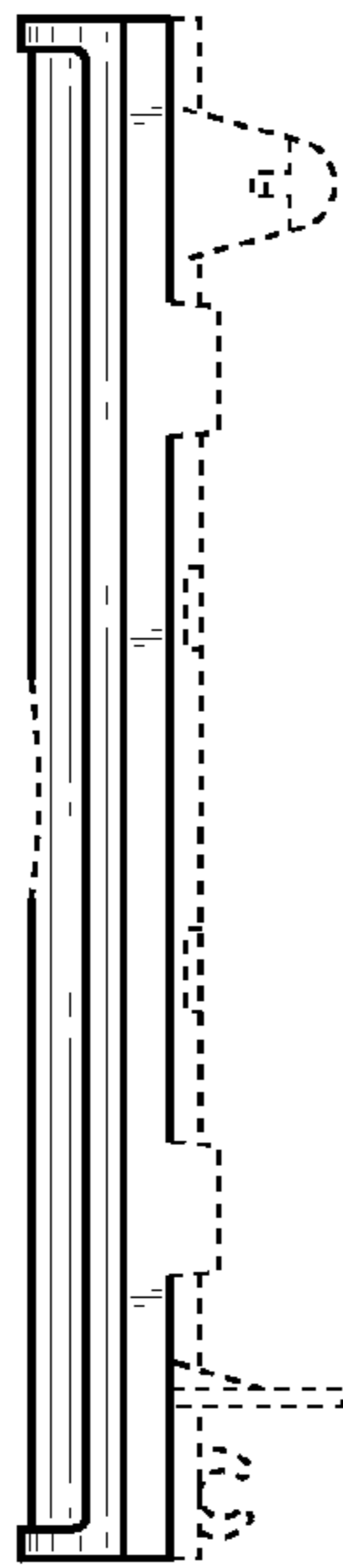


Fig. 5

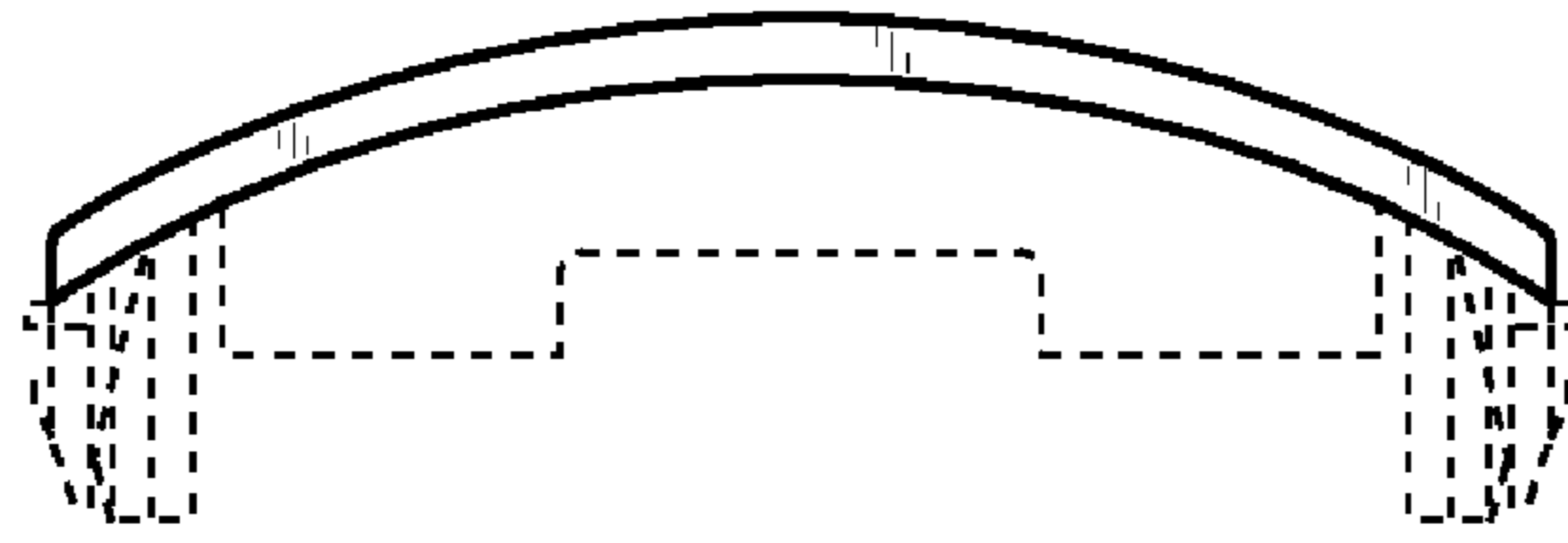


Fig. 6

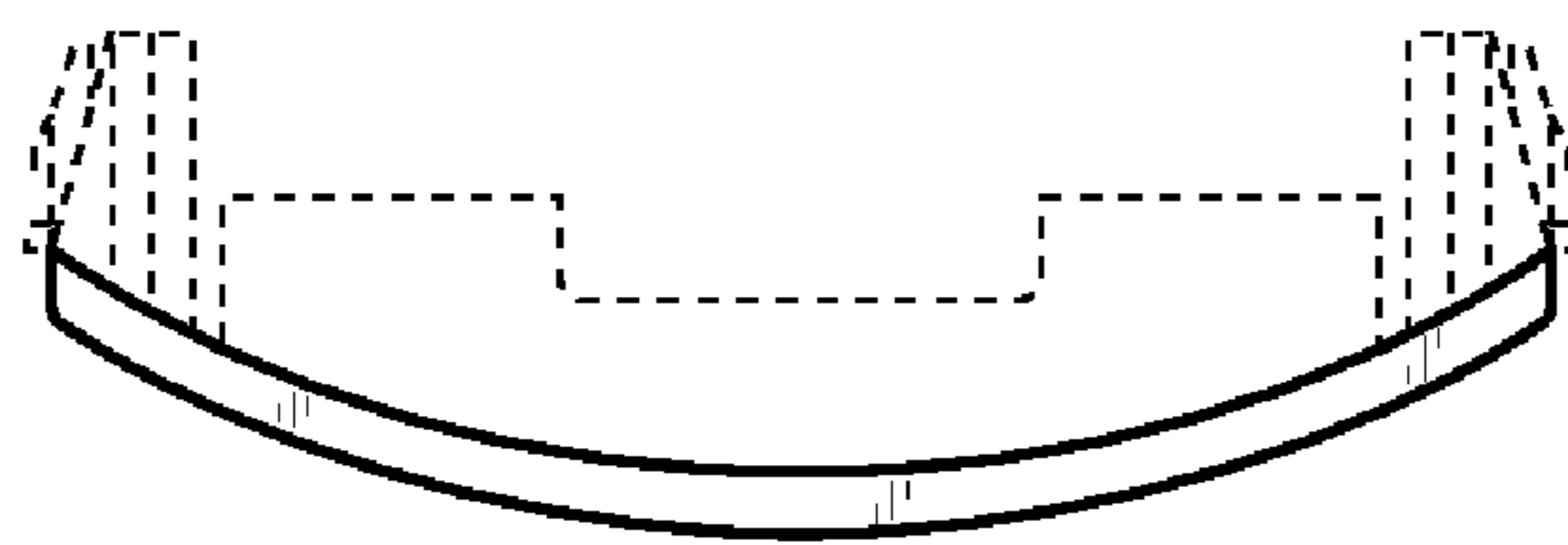


Fig. 7

(12) INTER PARTES REVIEW CERTIFICATE (1607th)

**United States Patent
Johnson**

**(10) Number: US D621,644 K1
(45) Certificate Issued: Jan. 14, 2020**

(54) DISPENSER AND DISPLAY DEVICE

(75) Inventor: Terry J. Johnson

(73) Assignee: GAMON PLUS, INC.

Trial Number:

IPR2017-00095 filed Oct. 14, 2016

Inter Partes Review Certificate for:

Patent No.: **D621,644**

Issued: **Aug. 17, 2010**

Appl. No.: **29/355,535**

Filed: **Feb. 9, 2010**

The results of IPR2017-00095 are reflected in this inter partes review certificate under 35 U.S.C. 318(b).

INTER PARTES REVIEW CERTIFICATE
U.S. Patent D621,644 K1
Trial No. IPR2017-00095
Certificate Issued Jan. 14, 2020

1

2

AS A RESULT OF THE INTER PARTES
REVIEW PROCEEDING, IT HAS BEEN
DETERMINED THAT:

The claim is cancelled.

5

* * * * *